



US00D646342S

(12) **United States Design Patent**
John

(10) **Patent No.:** **US D646,342 S**
(45) **Date of Patent:** **** Oct. 4, 2011**

(54) **FEET STABILIZER FOR EXERCISING**

(76) Inventor: **Shawn S. John**, Okeechobee, FL (US)

(**) Term: **14 Years**

(21) Appl. No.: **29/356,029**

(22) Filed: **Feb. 18, 2010**

(51) **LOC (9) Cl.** **21-02**

(52) **U.S. Cl.** **D21/687; D21/685**

(58) **Field of Classification Search** D21/662,
D21/670, 671, 685, 686, 687; D8/88, 89,
D8/300, 307, 308; D12/162, 203; 482/140,
482/53, 79; 606/237; 280/166, 164, 500,
280/511

See application file for complete search history.

(56) **References Cited**

U.S. PATENT DOCUMENTS

D21,780 S *	8/1892	Wilson	D12/203
654,535 A *	7/1900	Glover	182/91
2,050,652 A	8/1936	Fleming		
D202,202 S *	9/1965	Gore	D21/687
D226,057 S *	1/1973	Grindluger	D8/88
D245,095 S *	7/1977	Murray	D8/307
4,116,434 A	9/1978	Bernstein		
4,185,816 A *	1/1980	Bernstein	482/140
4,212,458 A *	7/1980	Bizilia	482/140
D277,218 S *	1/1985	Hinds	D21/687
D281,267 S *	11/1985	Howard	D21/687
4,629,179 A	12/1986	Bizilia		
4,705,270 A	11/1987	Melton		
4,787,626 A	11/1988	Gallagher		

4,809,971 A	3/1989	Goldish		
D313,388 S *	1/1991	Dale	D12/203
D316,394 S *	4/1991	Carr	D12/203
5,163,889 A	11/1992	Kasua		
D334,604 S *	4/1993	Roy	D21/687
5,304,105 A *	4/1994	Hsieh	482/53
D369,841 S	5/1996	Yang		
D370,452 S *	6/1996	Beasley	D12/203
D379,497 S *	5/1997	Renfro et al.	D8/307
D466,567 S *	12/2002	Chen et al.	D21/670

OTHER PUBLICATIONS

www.TITLEBOXING.com; doorway sit-up bar; Internet; as of Feb. 18, 2010.

* cited by examiner

Primary Examiner — Susan E Krakower

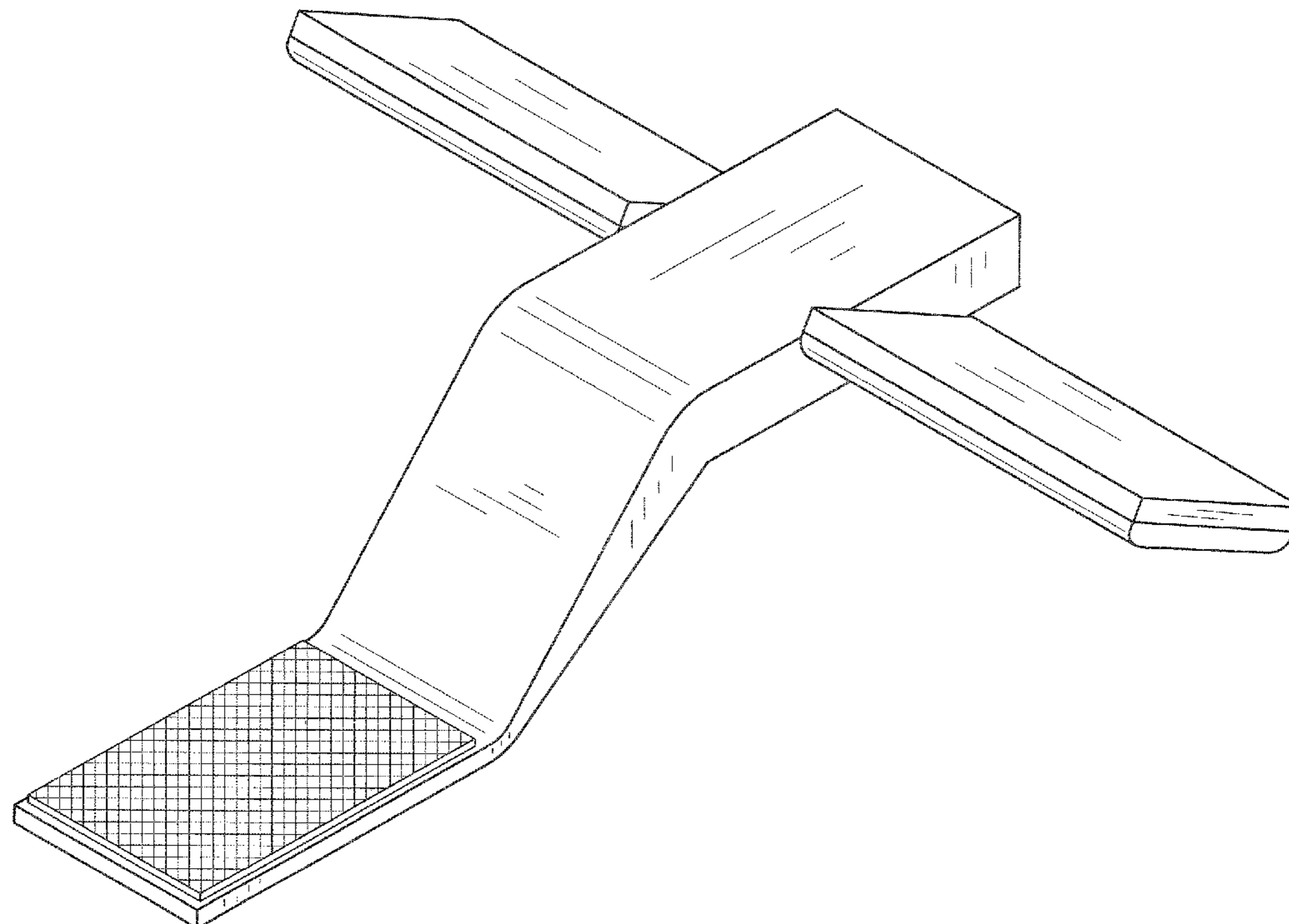
(57) **CLAIM**

The ornamental design for feet stabilizer for exercising, as shown and claimed.

DESCRIPTION

FIG. 1 is a perspective view of feet stabilizer for exercising showing my new design;
FIG. 2 is a side view thereof (opposite side is same image);
FIG. 3 is a front view thereof;
FIG. 4 is a back view thereof;
FIG. 5 is a top view thereof; and,
FIG. 6 is a bottom view thereof.

1 Claim, 5 Drawing Sheets



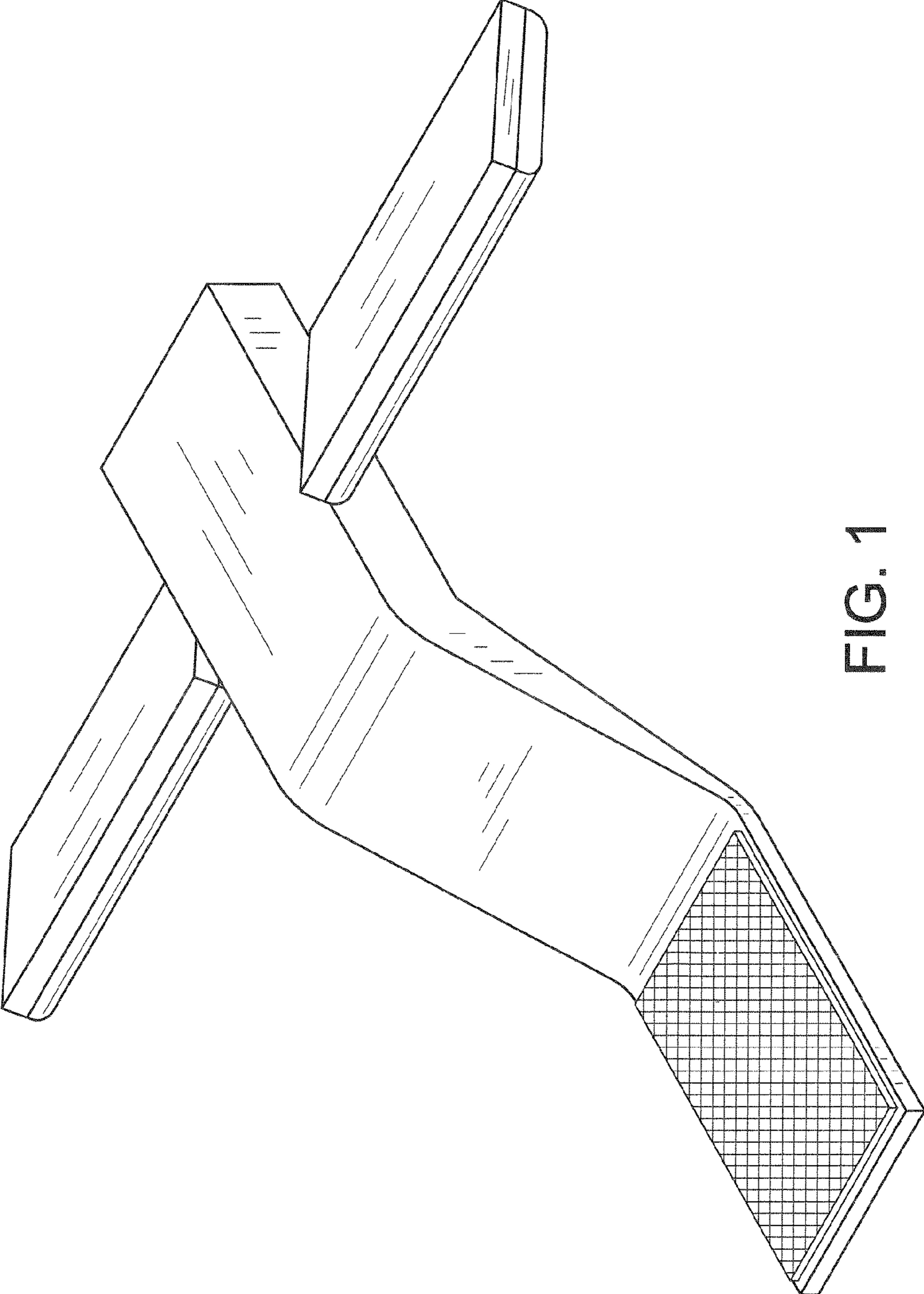


FIG. 1

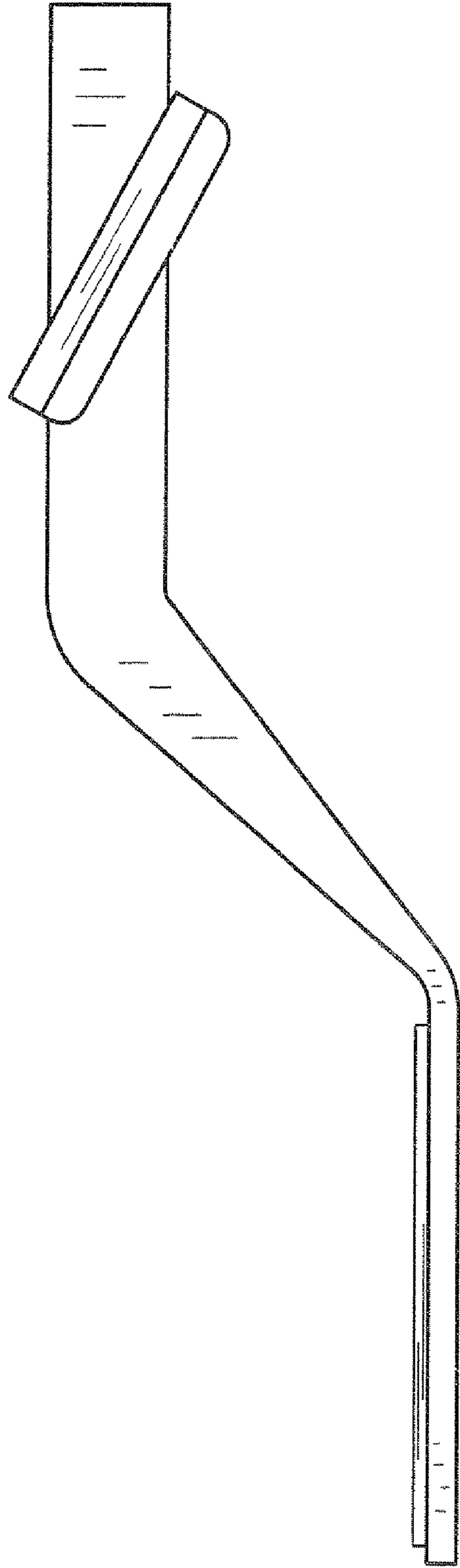


FIG. 2

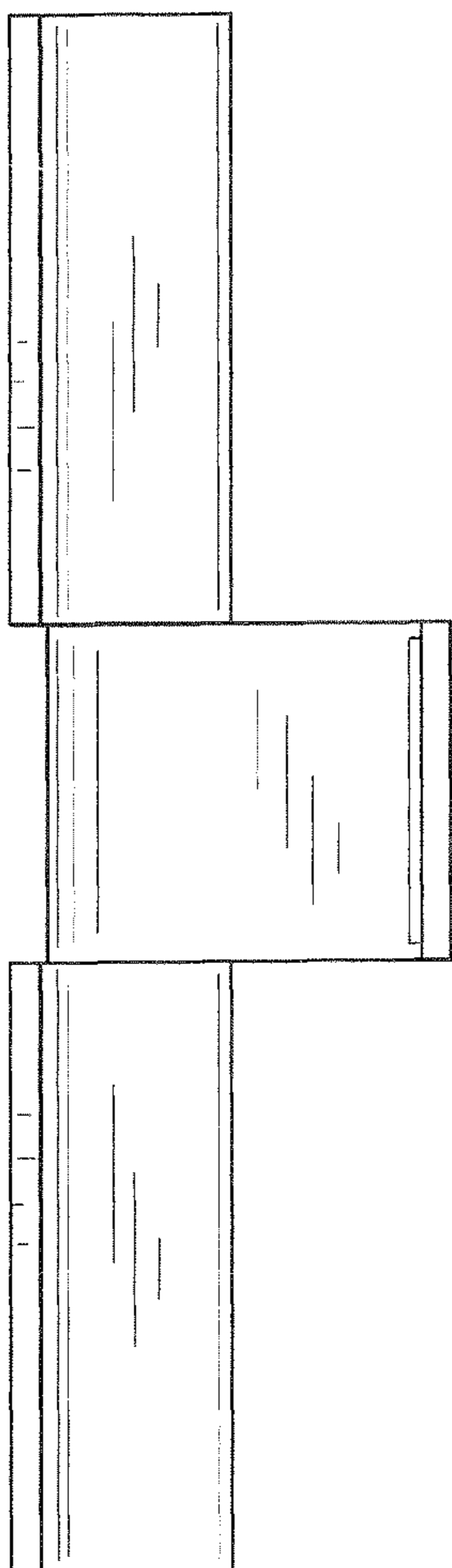


FIG. 3

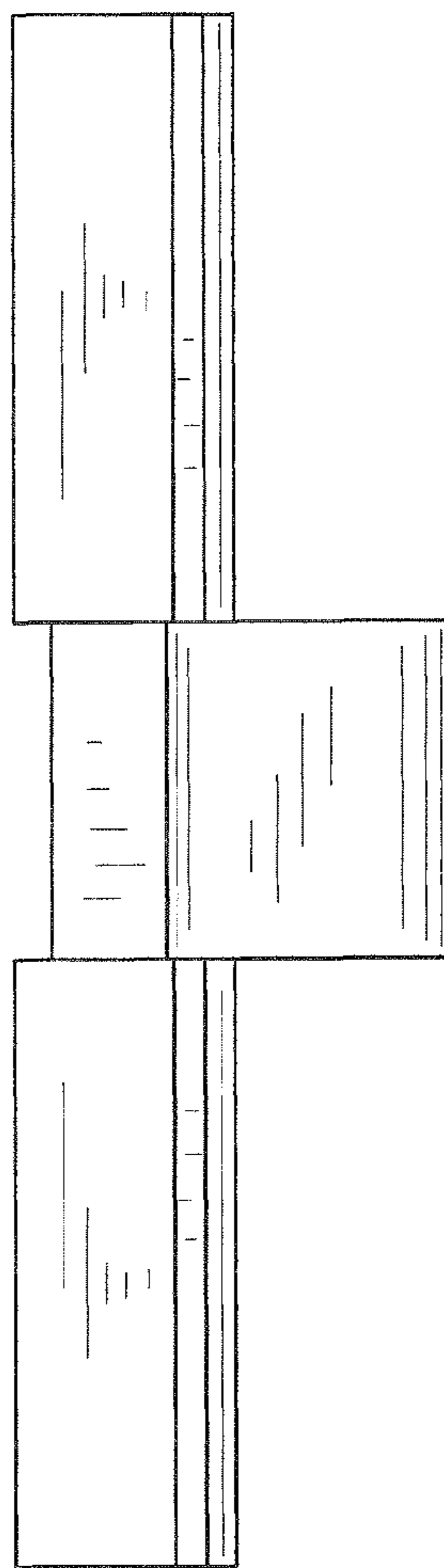


FIG. 4

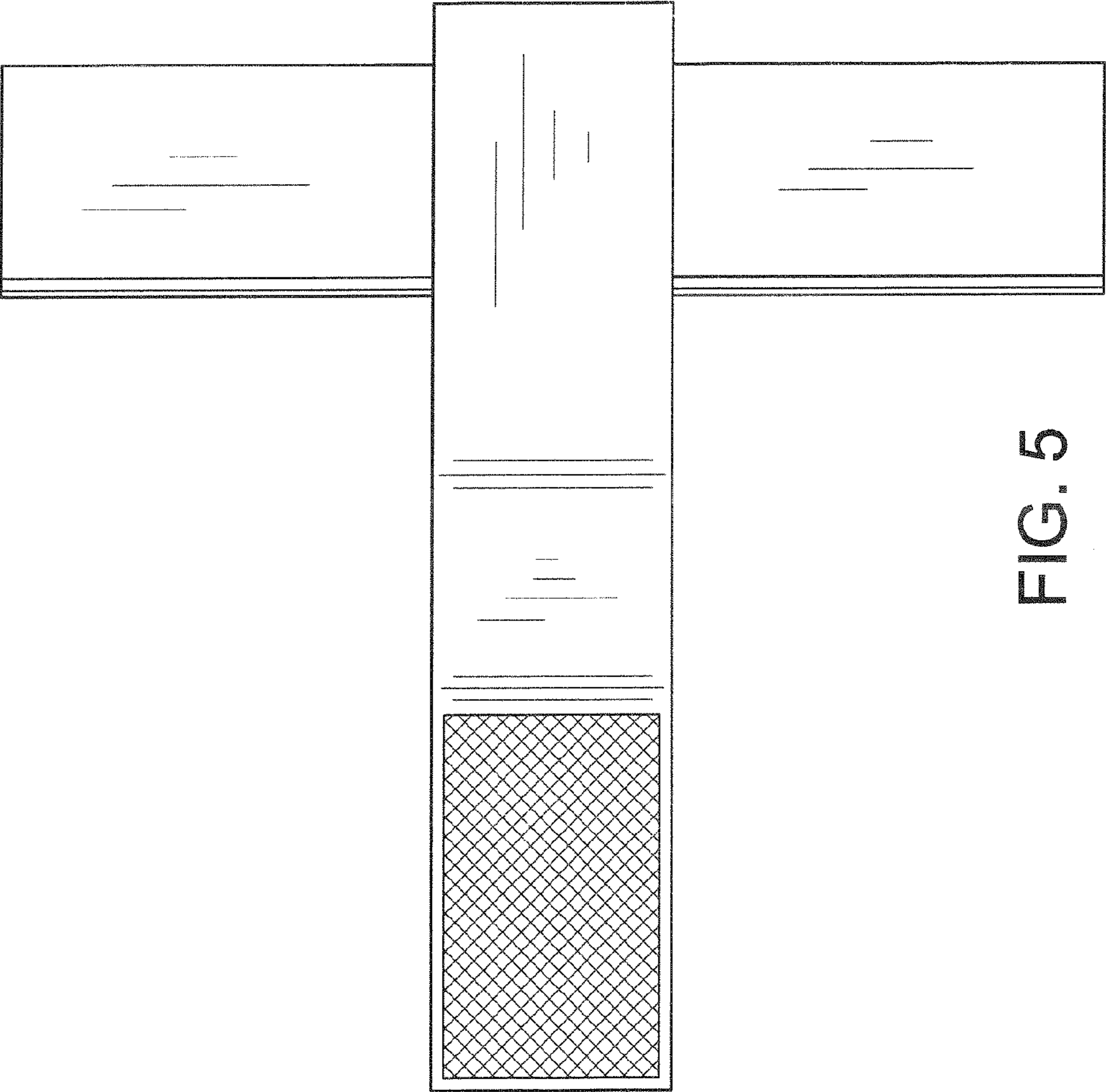


FIG. 5

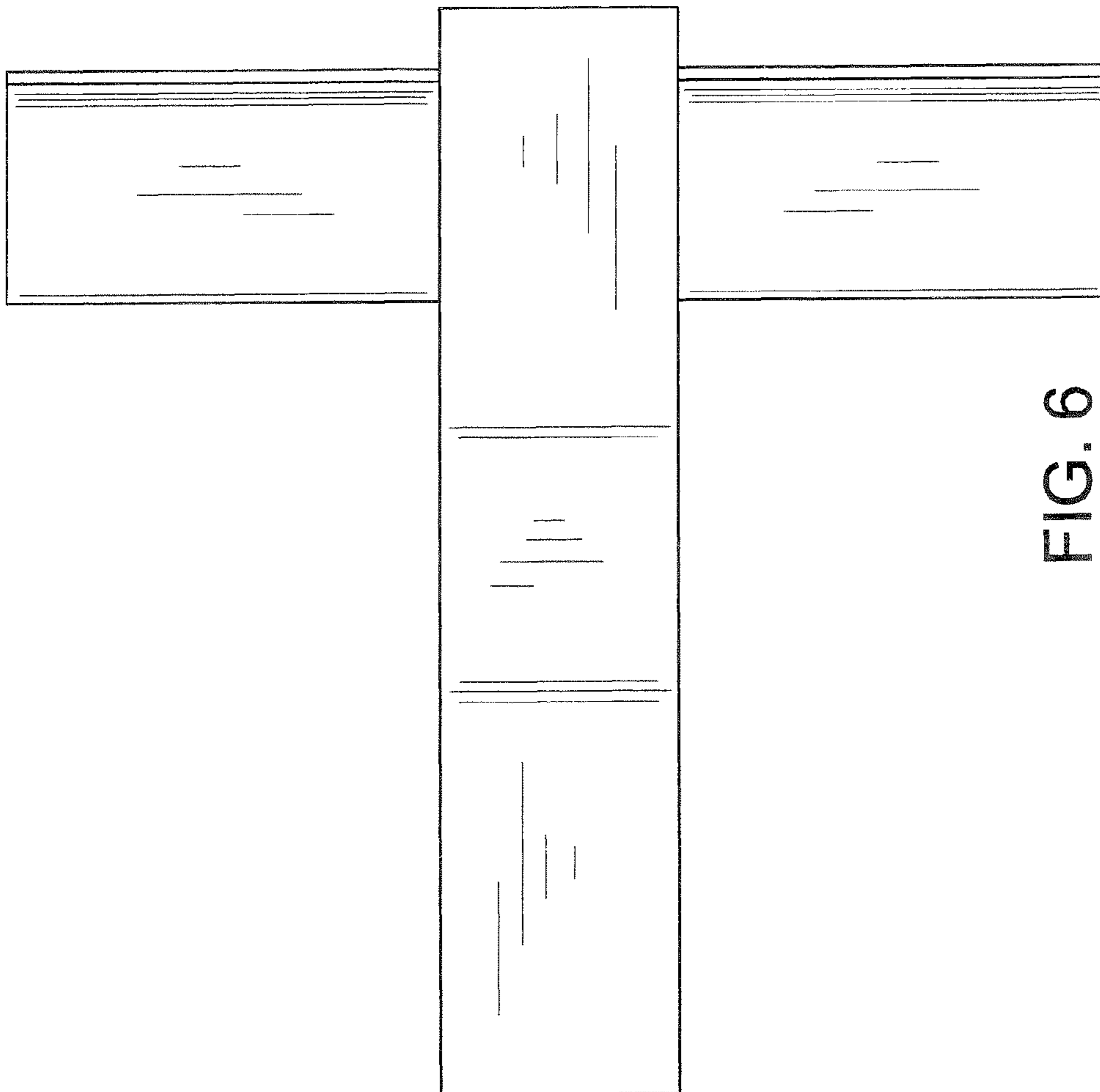


FIG. 6