



US00D646341S

(12) **United States Design Patent**
Campderá Lozano

(10) **Patent No.:** **US D646,341 S**

(45) **Date of Patent:** **** Oct. 4, 2011**

(54) **EXERCISE DEVICE**

(75) **Inventor:** **Juan José Campderá Lozano,**
Barcelona (ES)

(73) **Assignee:** **Actervis GmbH,** Baarlzug (CH)

(**) **Term:** **14 Years**

(21) **Appl. No.:** **29/364,582**

(22) **Filed:** **Jun. 25, 2010**

(51) **LOC (9) Cl.** **21-02**

(52) **U.S. Cl.** **D21/662; D24/190; D2/624**

(58) **Field of Classification Search** D24/188-190,
D24/200, 206; D29/100, 101.1, 101.3, 101.5;
D2/624, 627, 629, 634, 635; 602/5, 13, 19,
602/20, 36; 450/155; 2/44-45, 300, 338,
2/463-465; D21/662, 683; 482/1, 4, 112,
482/121, 124, 148

See application file for complete search history.

(56) **References Cited**

U.S. PATENT DOCUMENTS

2,742,036	A *	4/1956	Montesano	601/71
4,202,344	A	5/1980	Mills et al.	
4,702,235	A *	10/1987	Hong	602/13
4,763,660	A	8/1988	Kroll et al.	
5,190,036	A	3/1993	Linder	
D359,158	S *	6/1995	Miramontes	D21/683
D394,707	S *	5/1998	Tsubooka	D24/190
D394,906	S *	6/1998	Lange et al.	D24/215
D397,838	S *	9/1998	Waggoner et al.	D2/629
D399,272	S *	10/1998	Zwonitzer	D21/683
5,823,913	A	10/1998	Aruin et al.	
D418,948	S *	1/2000	London	D29/101.1
6,341,237	B1	1/2002	Hurtado	
6,443,883	B1	9/2002	Ostrow et al.	
6,645,128	B1 *	11/2003	Hur	482/124
D488,842	S	4/2004	Mills et al.	
6,728,577	B2	4/2004	Minogue et al.	
6,760,629	B2	7/2004	Minogue et al.	
6,885,896	B2	4/2005	Minogue et al.	
D518,895	S *	4/2006	Weaver et al.	D24/190

7,069,089	B2	6/2006	Minogue et al.
7,153,236	B2	12/2006	Gershman
7,264,600	B2	9/2007	Brinston, Sr.
7,349,739	B2	3/2008	Harry et al.
7,369,895	B2	5/2008	Hurtado

(Continued)

FOREIGN PATENT DOCUMENTS

DE	10248235	5/2004
EP	1144045	10/2001
JP	2000316988	11/2000

(Continued)

Primary Examiner — Susan E Krakower

(74) *Attorney, Agent, or Firm* — Larkin Hoffman Daly & Lindgren Ltd.; Craig J. Lervick

(57) **CLAIM**

The ornamental design for an exercise device, as shown and described.

DESCRIPTION

FIG. 1 is a perspective view of an exercise device showing my new design;

FIG. 2 is a front view of the exercise device;

FIG. 3 is a rear view of the exercise device;

FIG. 4 is a top view of the exercise device;

FIG. 5 is a bottom view of the exercise device;

FIG. 6 is a side views of the exercise device;

FIG. 7 is an opposite side view of the exercise device;

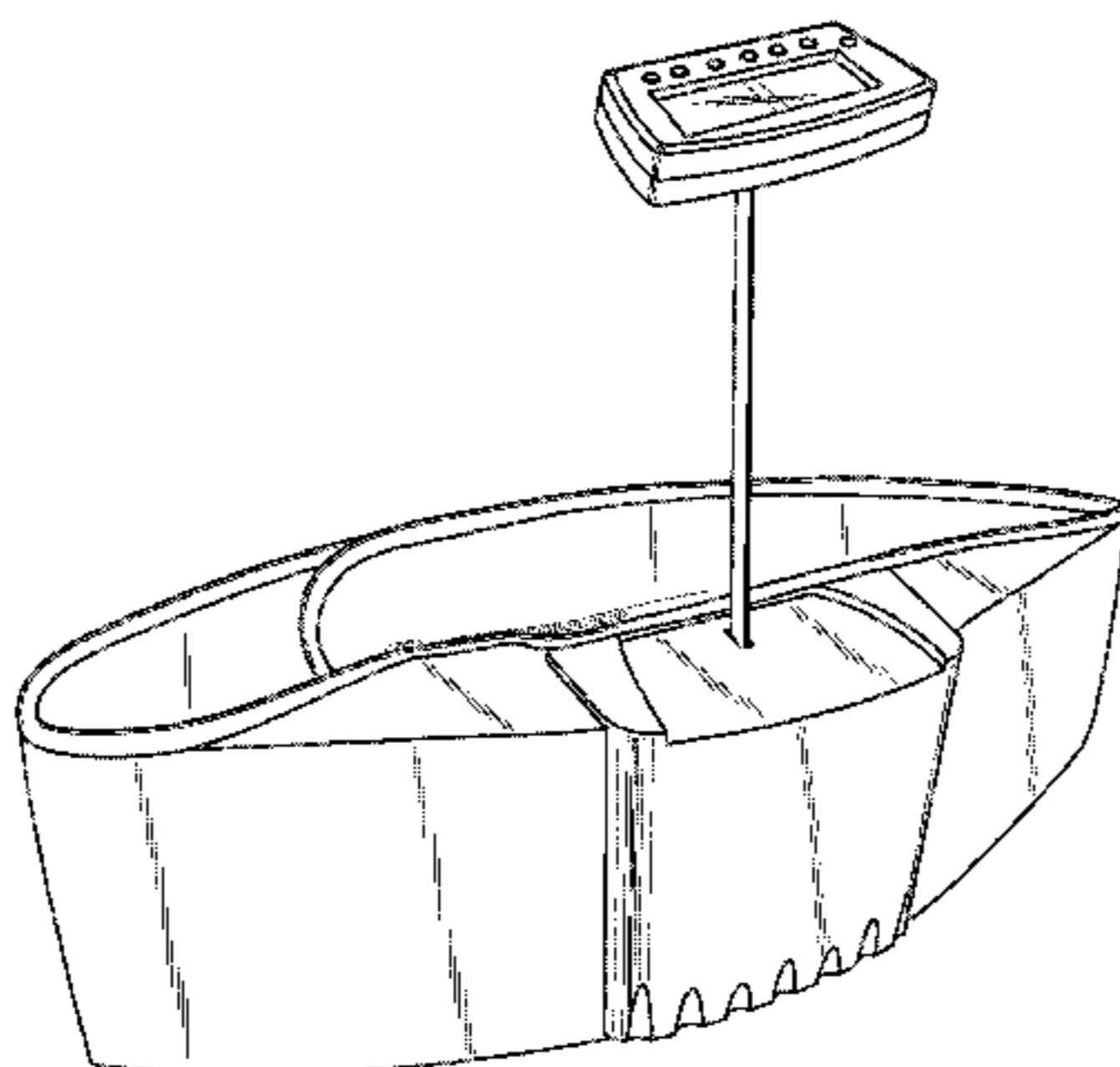
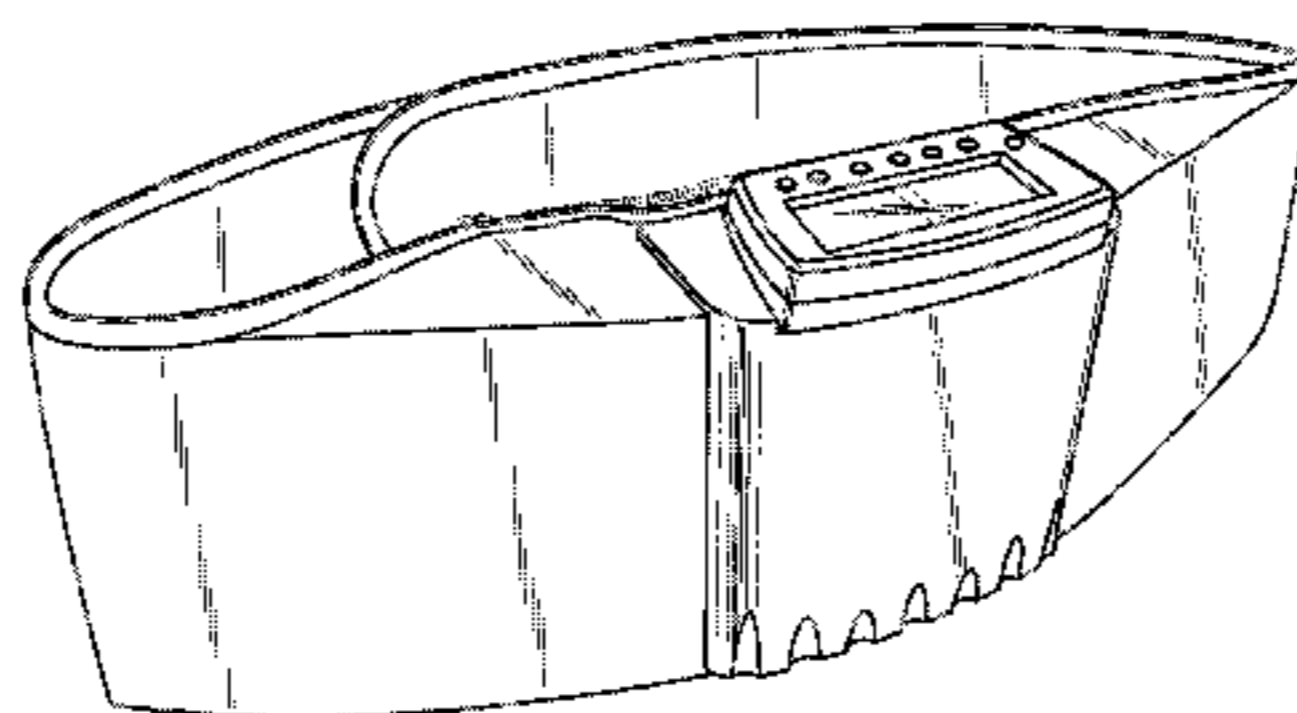
FIG. 8 is a cut-away rear view of the exercise device illustrating an interior front surface of the device and electrodes positioned thereon.

FIG. 9 is a perspective view of the exercise device illustrating the control panel extended from the device in an alternate configuration; and,

FIG. 10 is a front view of the exercise device with a portion of the front panel cut away to illustrate the layout of the unclaimed internal components.

The broken lines illustrate portions of the exercise device which form no part of the claimed design.

1 Claim, 8 Drawing Sheets



US D646,341 S

Page 2

U.S. PATENT DOCUMENTS

2002/0077688	A1	6/2002	Kirkland	
2005/0043655	A1	2/2005	Schenck	
2005/0101994	A1	5/2005	Yamazaki et al.	
2005/0170938	A1*	8/2005	Parise	482/140
2007/0167885	A1*	7/2007	Moon	601/71
2011/0034842	A1*	2/2011	Guldalian	602/13

FOREIGN PATENT DOCUMENTS

JP	2002159340	6/2002
WO	WO0078267	12/2000
WO	WO2006014341	2/2006
WO	WO2006113802	10/2006
WO	WO2009130802	10/2009

* cited by examiner

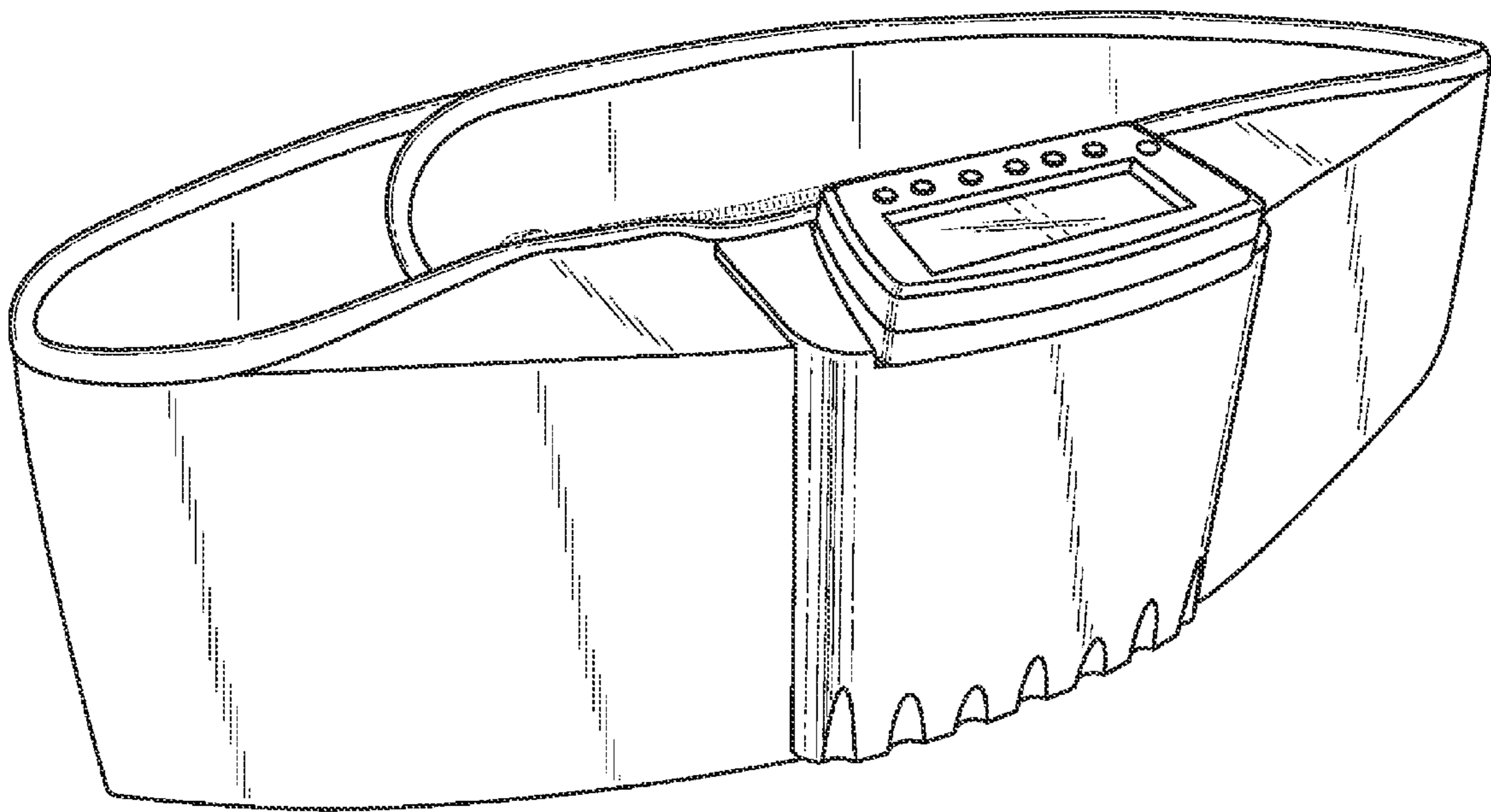


Fig. 1

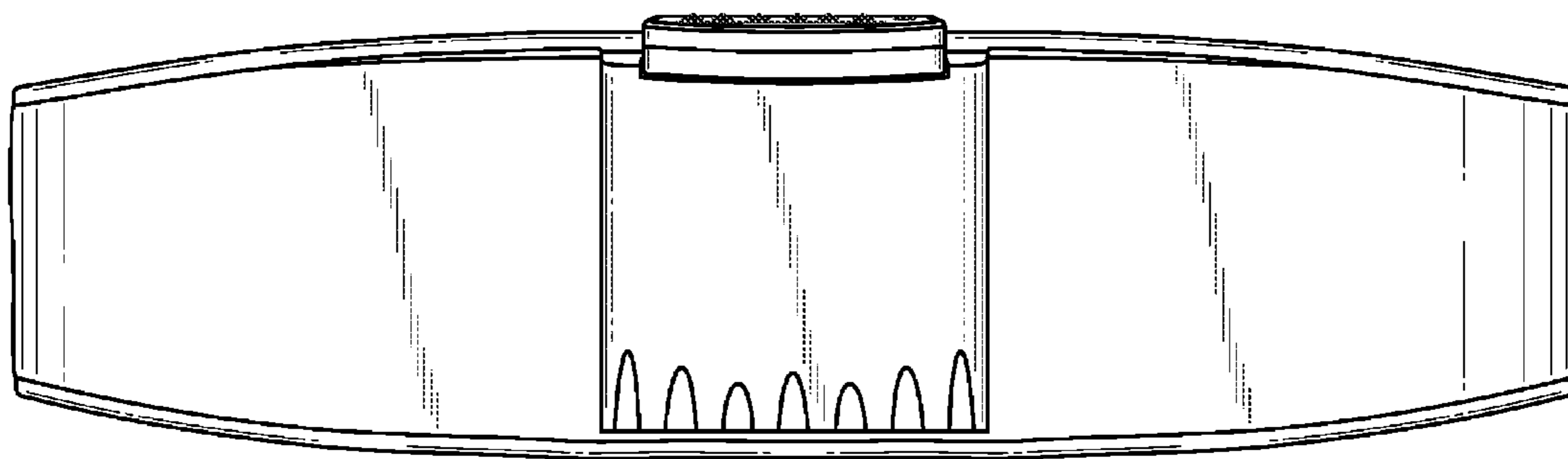


Fig. 2

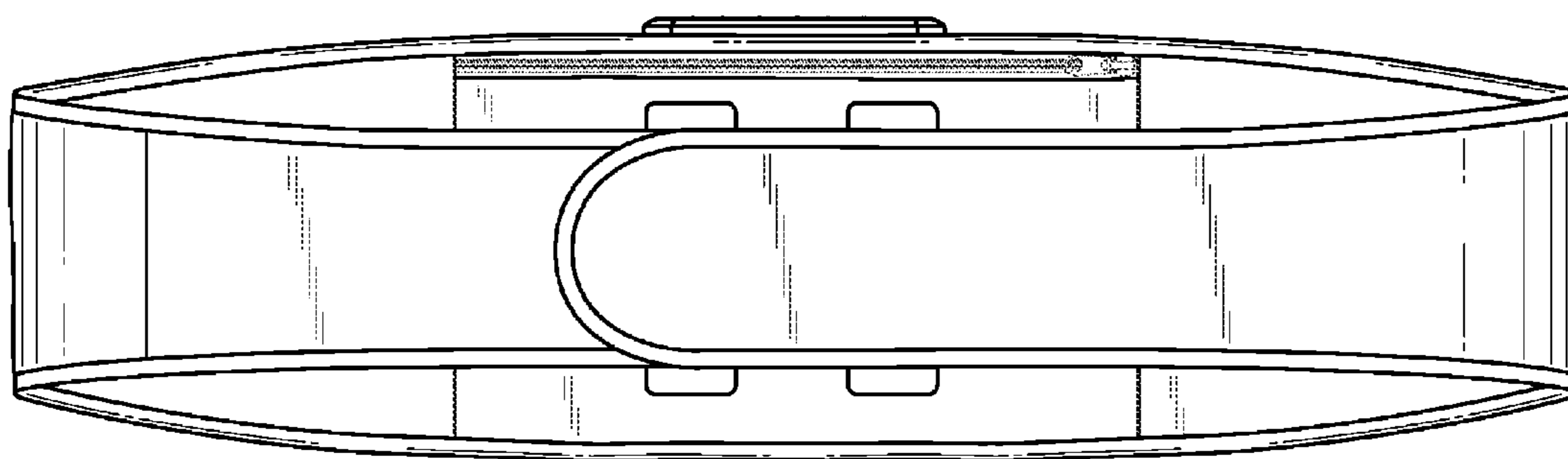


Fig. 3

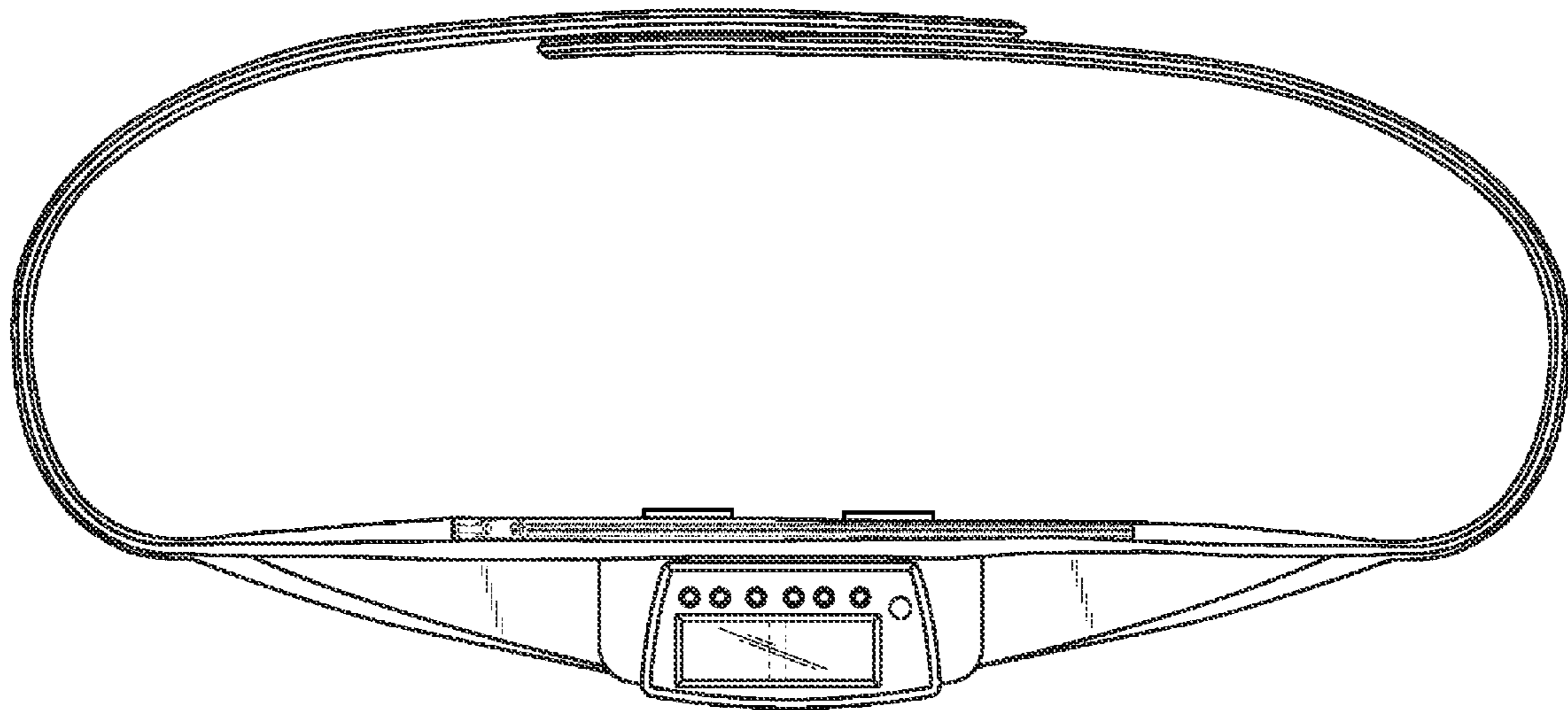


Fig. 4

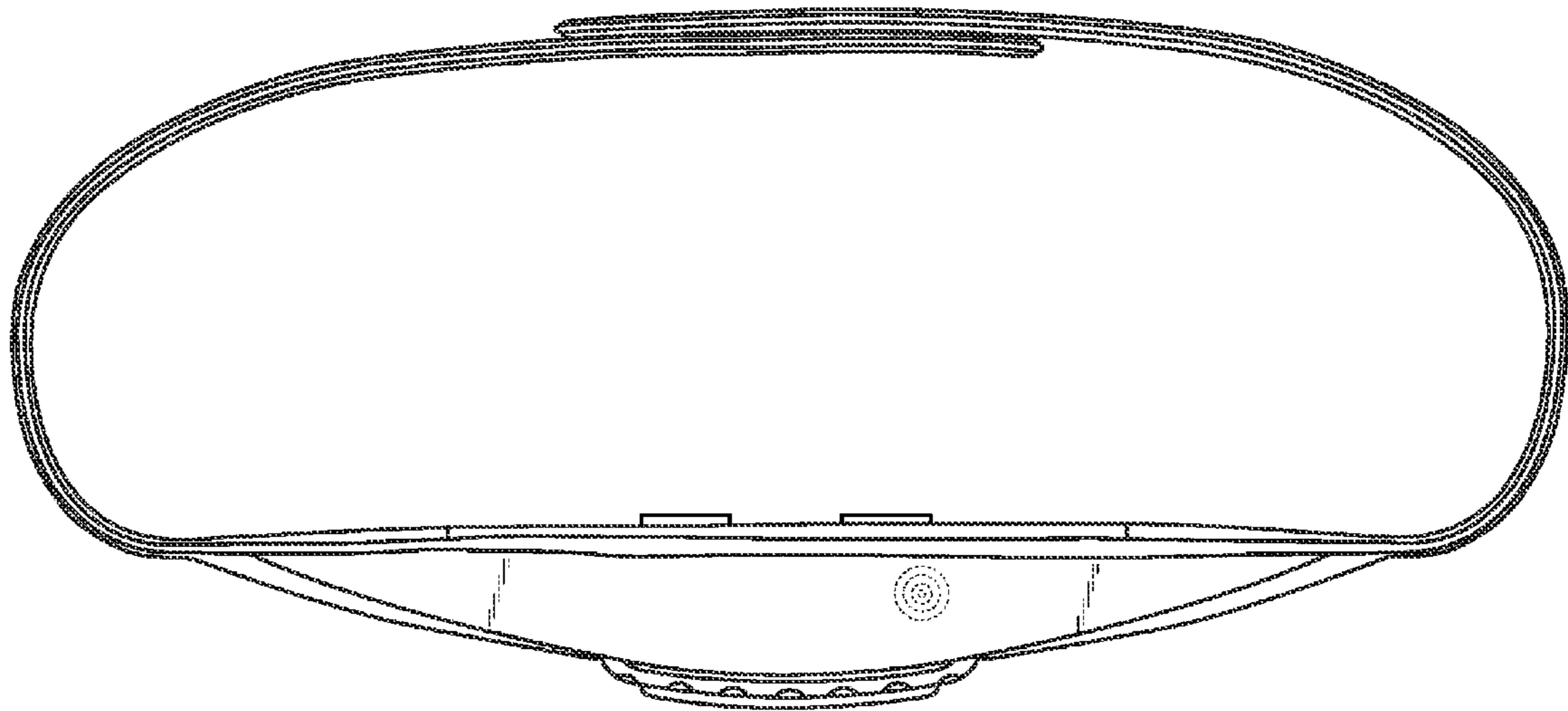


Fig. 5

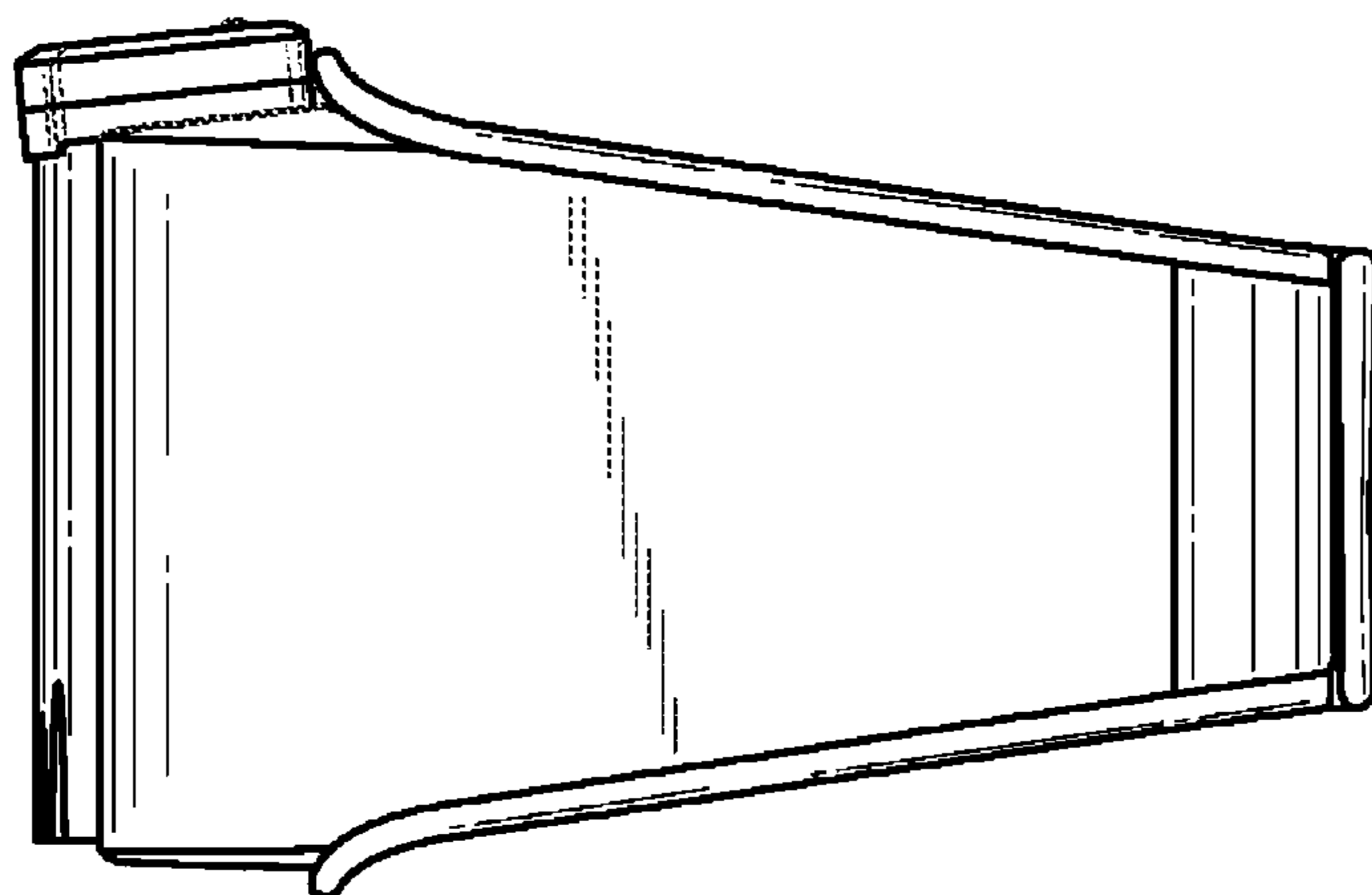


Fig. 6

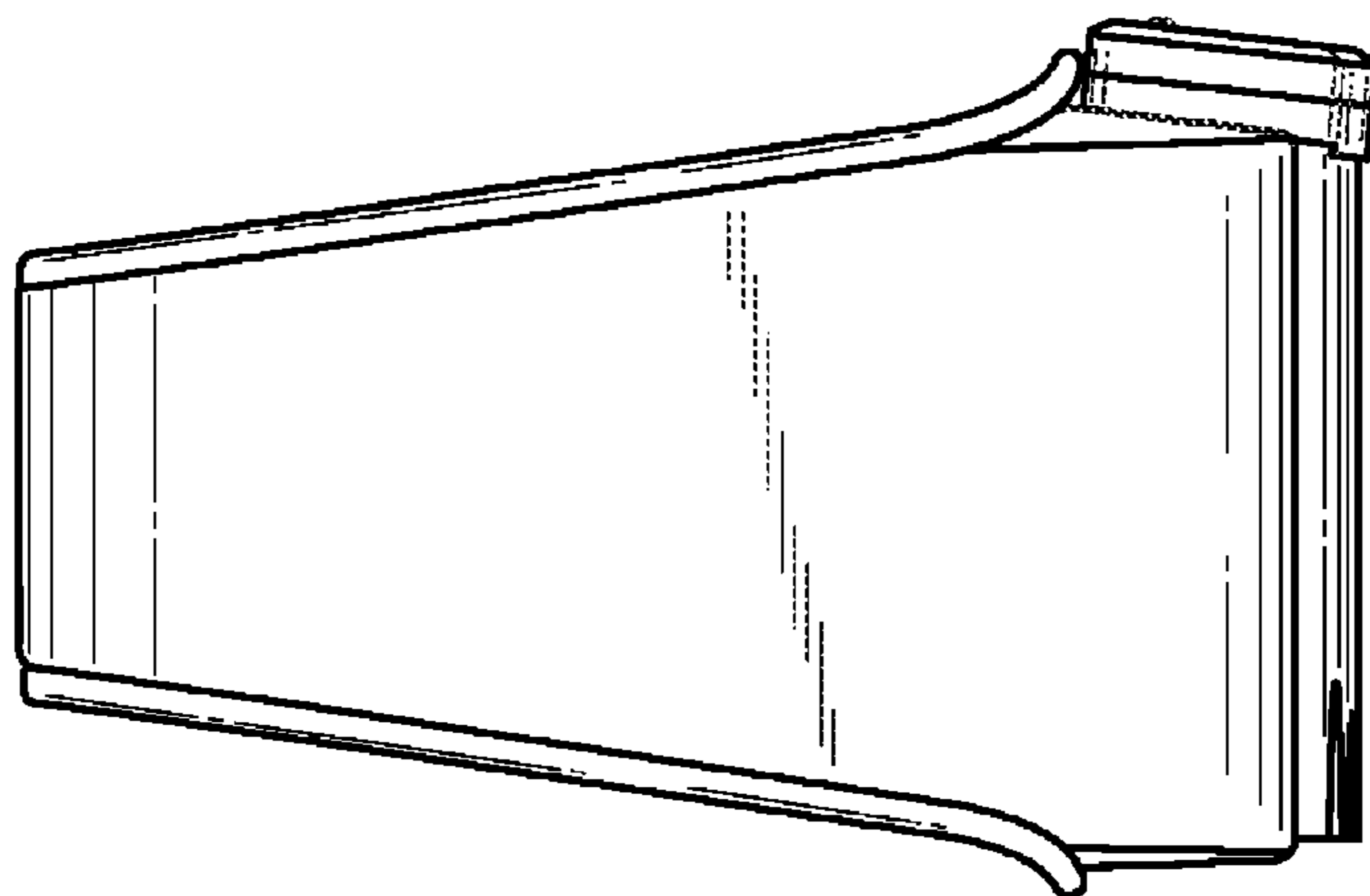


Fig. 7

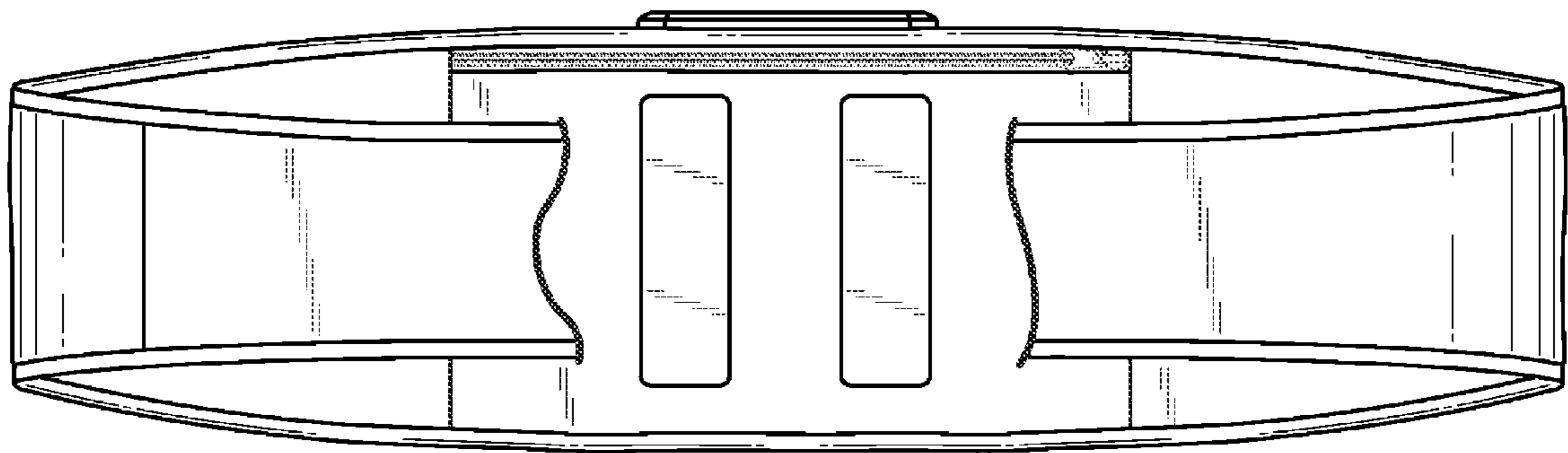


Fig. 8

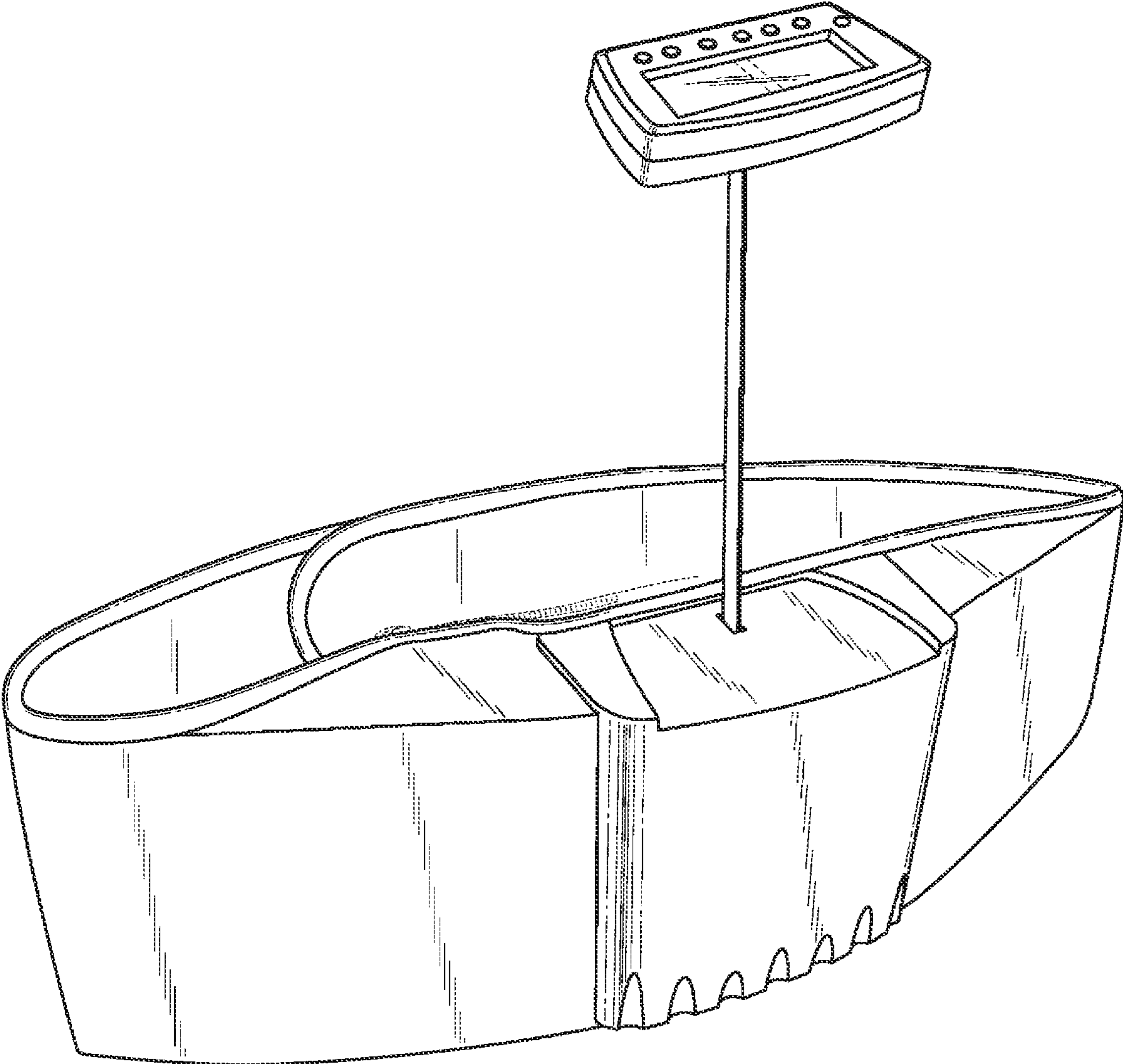


Fig. 9

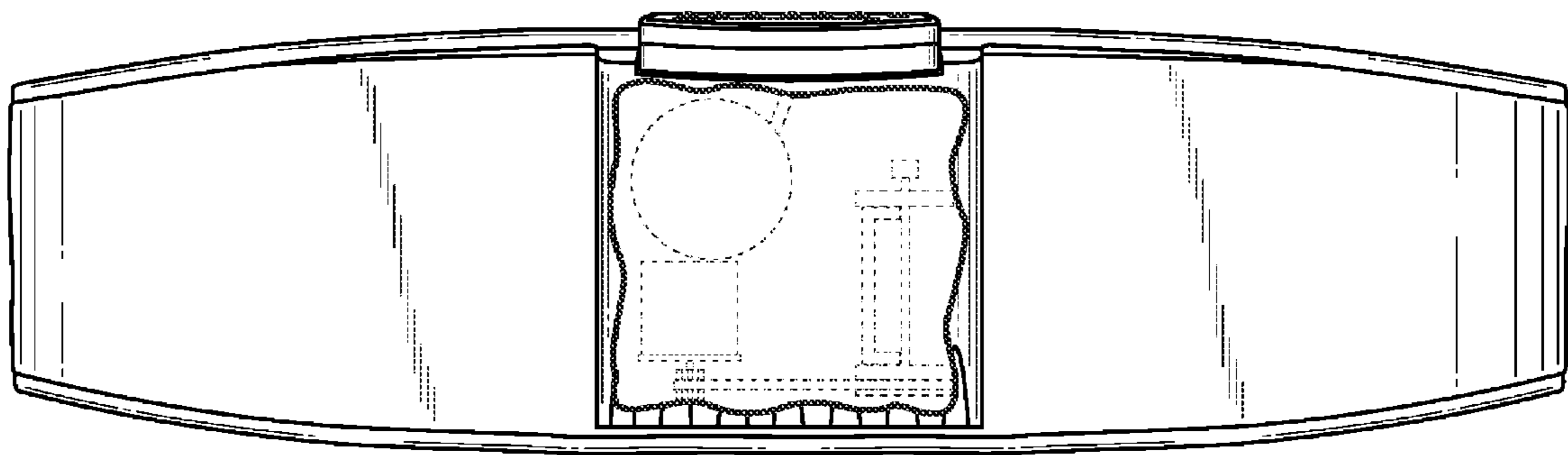


Fig. 10