



US00D646338S

(12) **United States Design Patent**  
**Scheper et al.**

(10) **Patent No.:** **US D646,338 S**

(45) **Date of Patent:** **\*\* Oct. 4, 2011**

(54) **CARD DEALING DISPENSING CARTRIDGE**

(75) Inventors: **Paul K. Scheper**, Bloomington, MN  
(US); **Attila Grauzer**, Las Vegas, NV  
(US)

(73) Assignee: **Shuffle Master, Inc.**, Las Vegas, NV  
(US)

(\*\*) Term: **14 Years**

(21) Appl. No.: **29/361,263**

(22) Filed: **Jul. 26, 2010**

**Related U.S. Application Data**

(62) Division of application No. 29/310,722, filed on Sep. 5, 2008, now Pat. No. Des. 615,600.

(51) **LOC (9) Cl.** ..... **21-01**

(52) **U.S. Cl.** ..... **D21/396**

(58) **Field of Classification Search** ..... D21/369,  
D21/385, 392-396; 273/148 R, 149 R-149 P  
See application file for complete search history.

(56) **References Cited**

**U.S. PATENT DOCUMENTS**

3,929,339 A	12/1975	Mattioli	
4,750,743 A	6/1988	Nicoletti	
5,344,146 A *	9/1994	Lee	273/149 R
5,356,145 A	10/1994	Verschoor	
5,374,061 A	12/1994	Albrecht	
5,605,334 A	2/1997	McCrea, Jr.	
5,669,816 A	9/1997	Garczynski et al.	
5,683,085 A	11/1997	Johnson et al.	
5,722,893 A	3/1998	Hill et al.	
5,735,525 A	4/1998	McCrea, Jr.	
5,779,546 A	7/1998	Meissner et al.	
5,911,626 A	6/1999	McCrea, Jr.	
5,941,769 A	8/1999	Order	
5,989,122 A	11/1999	Roblejo	

6,039,650 A	3/2000	Hill
6,093,103 A	7/2000	McCrea, Jr.
6,117,012 A	9/2000	McCrea, Jr.
6,126,166 A	10/2000	Lorson et al.
6,149,154 A	11/2000	Grauzer et al.
6,165,069 A	12/2000	Sines et al.
6,217,447 B1	4/2001	Lofink et al.
6,270,404 B2	8/2001	Sines et al.
6,299,536 B1	10/2001	Hill
6,346,044 B1	2/2002	McCrea, Jr.
6,460,848 B1	10/2002	Soltys et al.
6,517,435 B2	2/2003	Soltys et al.
6,517,436 B2	2/2003	Soltys et al.
6,520,857 B2	2/2003	Soltys et al.
6,527,271 B2	3/2003	Soltys et al.
6,530,836 B2	3/2003	Soltys et al.
6,530,837 B2	3/2003	Soltys et al.
6,533,276 B2	3/2003	Soltys et al.

(Continued)

**FOREIGN PATENT DOCUMENTS**

WO WO 00/51076 8/2000

*Primary Examiner* — Sandra Morris

(74) *Attorney, Agent, or Firm* — Mark A. Litman & Associates, P.A.

(57) **CLAIM**

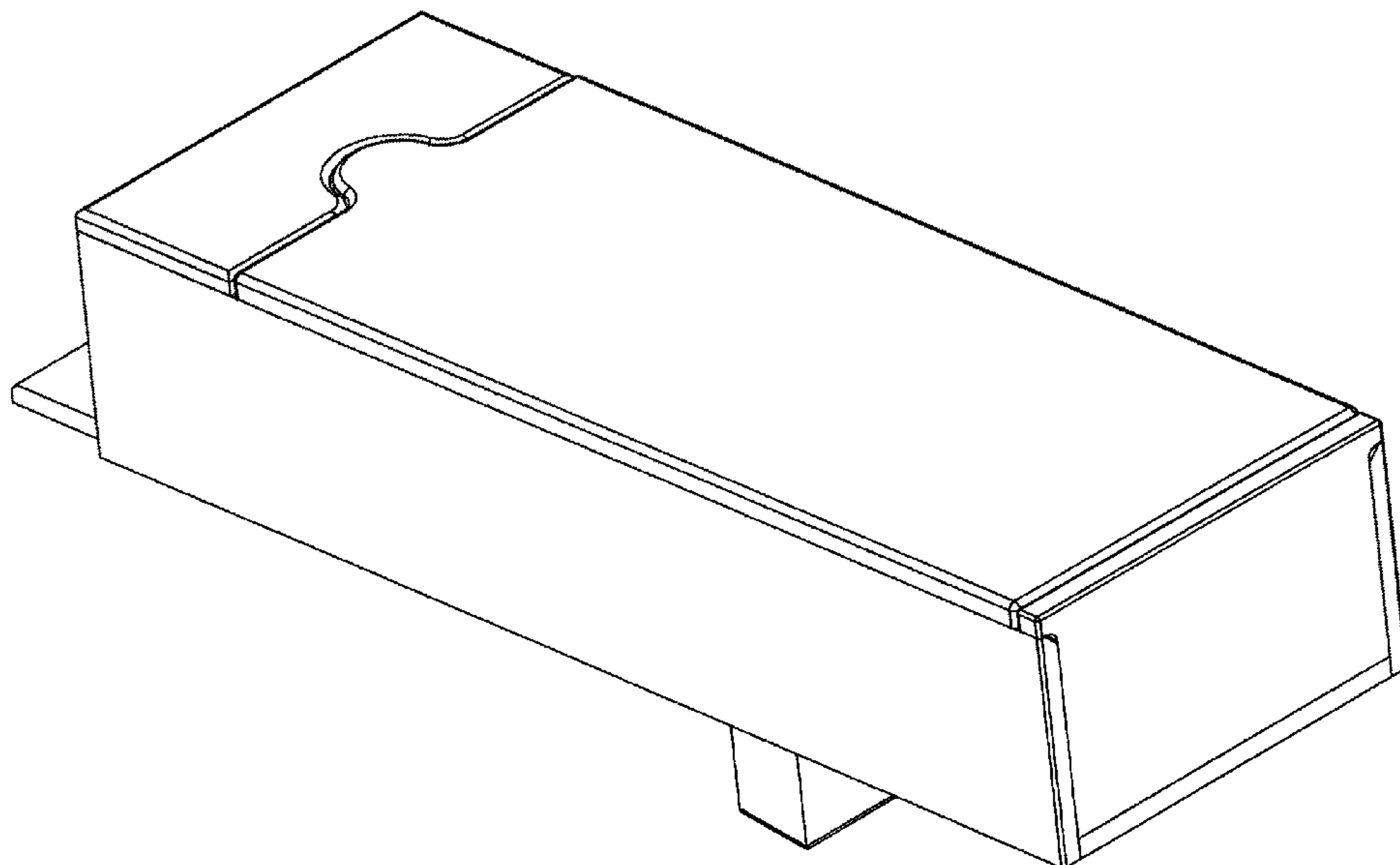
The ornamental design of a card dealing dispensing cartridge, as shown and described.

**DESCRIPTION**

FIG. 1 is a perspective view of a card dealing dispenser cartridge from a rear to forward angle showing our new design;

FIG. 2 is a side view of a card dealing dispenser cartridge from a rear to forward angle showing our new design; and, FIG. 3 is a top view of a card dealing dispensing cartridge from a rear to forward angle showing our new design.

**1 Claim, 3 Drawing Sheets**



# US D646,338 S

Page 2

---

## U.S. PATENT DOCUMENTS

6,533,662	B2	3/2003	Soltys et al.	6,758,751	B2	7/2004	Soltys et al.	
6,579,180	B2	6/2003	Soltys et al.	7,264,241	B2	9/2007	Schubert et al.	
6,579,181	B2	6/2003	Soltys et al.	7,374,170	B2	5/2008	Grauzer et al.	
6,582,301	B2	6/2003	Hill	2005/0242500	A1	11/2005	Downs, III	
6,595,857	B2	7/2003	Soltys et al.	2006/0033270	A1	2/2006	Grauzer et al.	
6,629,894	B1	10/2003	Purton	2006/0279040	A1	12/2006	Downs et al.	
6,638,161	B2	10/2003	Soltys et al.	2008/0006998	A1	1/2008	Grauzer et al.	
6,663,490	B2	12/2003	Soltys et al.	2008/0093800	A1*	4/2008	Mailing et al. ....	273/149 R
6,688,979	B2	2/2004	Soltys et al.	2009/0134575	A1*	5/2009	Dickinson et al. ....	273/149 R
6,712,696	B2	3/2004	Soltys et al.	2009/0289414	A1*	11/2009	Bergman et al. ....	273/149 R

\* cited by examiner

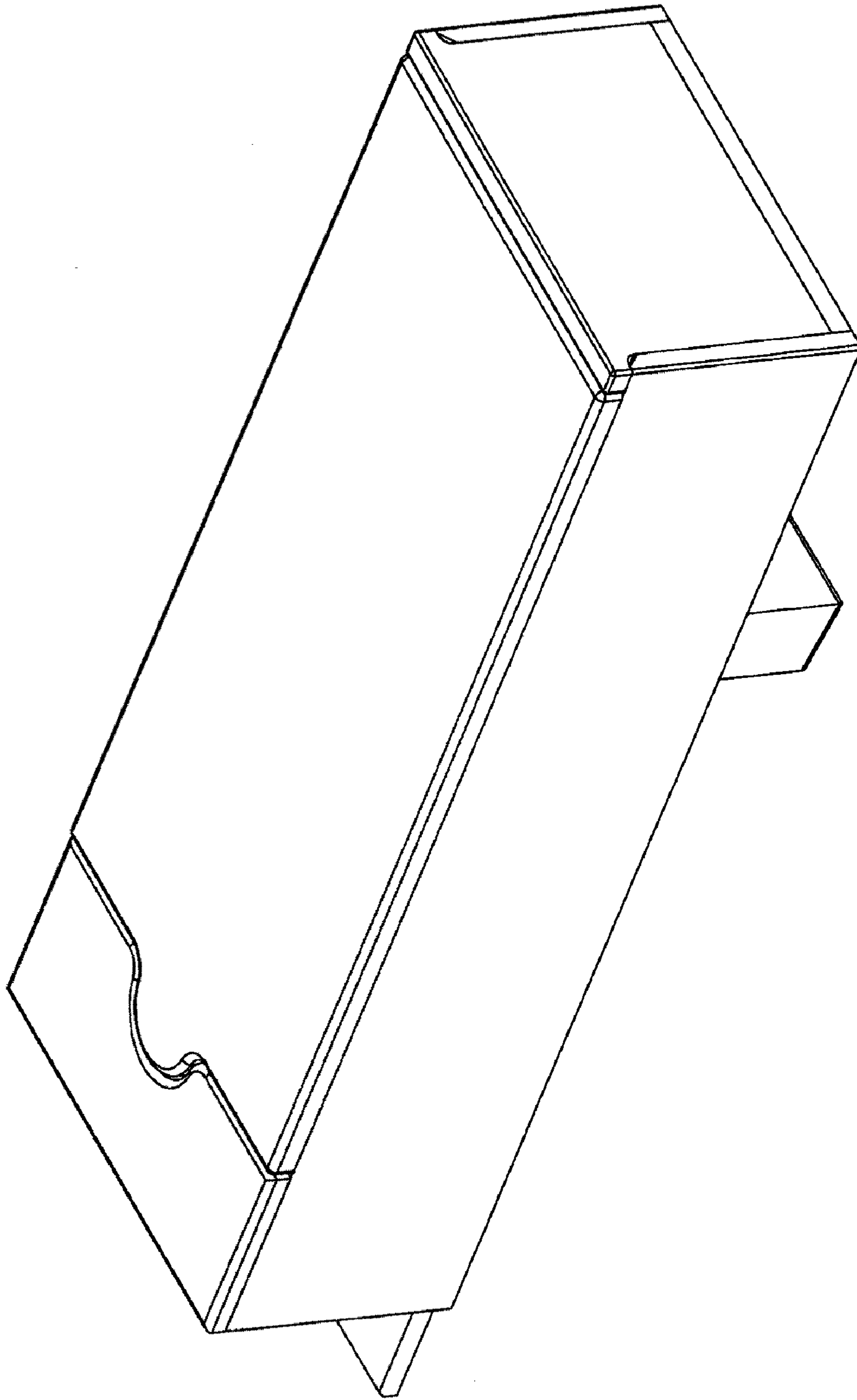
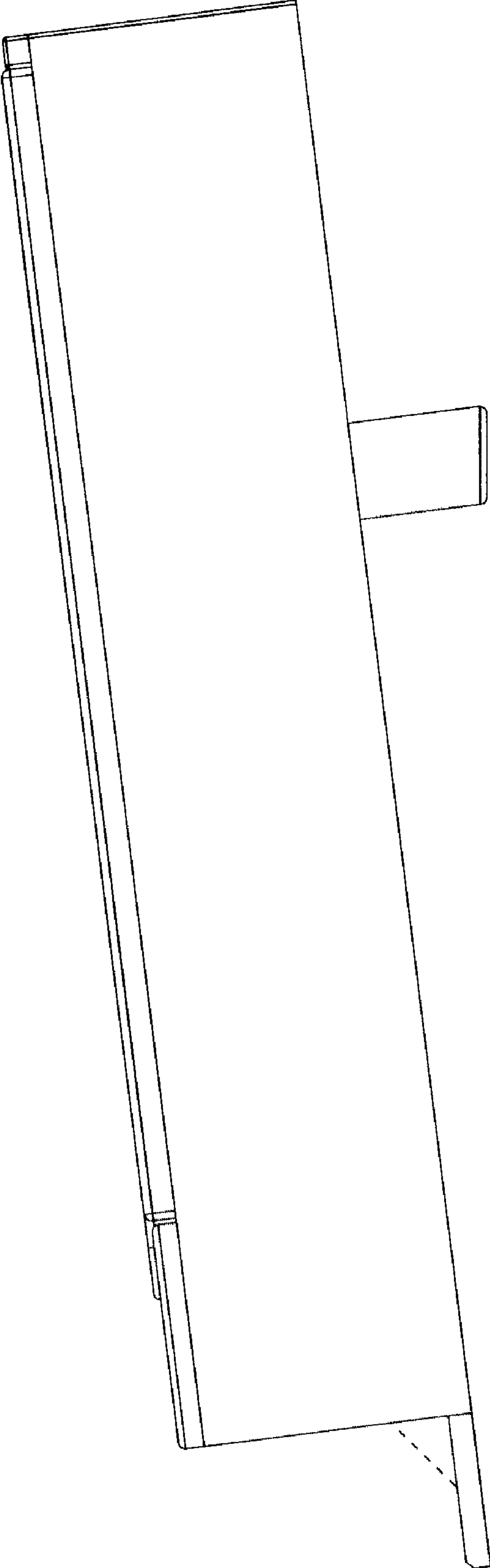
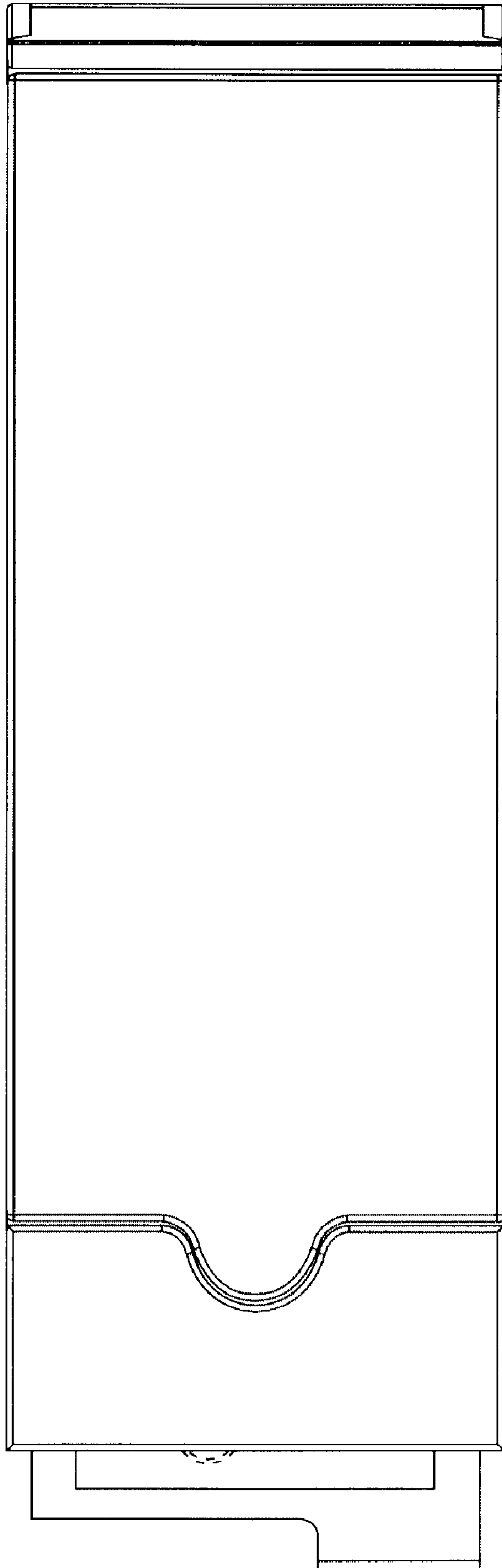


FIG. 1



**FIG. 2**



**FIG. 3**