



US00D646335S

(12) **United States Design Patent**  
**Daniel et al.**

(10) **Patent No.:** **US D646,335 S**

(45) **Date of Patent:** **\*\* Oct. 4, 2011**

(54) **PLAY AND GO INTELLIGENT GAME CONTROLLER**

(76) Inventors: **Olamide Daniel**, Miami, FL (US);  
**Roberto Quiles**, Miami, FL (US)

(\*\*) Term: **14 Years**

(21) Appl. No.: **29/316,395**

(22) Filed: **Sep. 21, 2009**  
(Under 37 CFR 1.47)

(51) **LOC (9) Cl.** ..... **21-01**

(52) **U.S. Cl.** ..... **D21/333**

(58) **Field of Classification Search** ..... D21/324-333;  
D14/341-347, 432, 433, 435, 217, 256; D13/133,  
D13/146, 147, 184, 189; 273/148 B; 463/1,  
463/29-35, 46, 49; 439/180, 188, 476.1,  
439/892, 894, 907, 908  
See application file for complete search history.

(56) **References Cited**

U.S. PATENT DOCUMENTS

D466,951 S *	12/2002	Hang	.....	D21/333
D470,161 S *	2/2003	Lee	.....	D16/135
6,722,984 B1 *	4/2004	Sweeney et al.	.....	341/176
6,760,013 B2 *	7/2004	Willner et al.	.....	345/169
6,835,131 B1 *	12/2004	White et al.	.....	463/1
7,016,185 B2 *	3/2006	Chen et al.	.....	361/679.4

D541,876 S *	5/2007	Avery	.....	D21/332
D592,114 S *	5/2009	Tombazis	.....	D12/176
D624,129 S *	9/2010	Lim et al.	.....	D21/333
D632,339 S *	2/2011	Holcomb et al.	.....	D21/333
D632,742 S *	2/2011	Mueller	.....	D21/333
7,933,561 B2 *	4/2011	Sanguinetti	.....	455/78
D639,865 S *	6/2011	Sogabe et al.	.....	D21/333

\* cited by examiner

*Primary Examiner* — Prabhakar Deshmukh

(74) *Attorney, Agent, or Firm* — Carol N. Green, Esq.

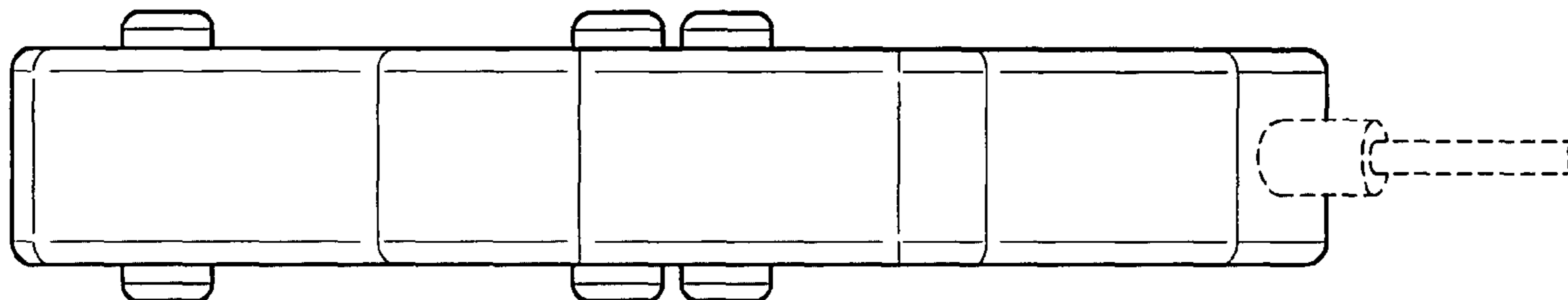
(57) **CLAIM**

The ornamental design for a play and go intelligent game controller, as shown and described.

**DESCRIPTION**

FIG. 1 is a top, front and left perspective view of a play and go intelligent game controller showing our new design;  
FIG. 2 is a top, front and right perspective view thereof;  
FIG. 3 is a front elevational view thereof;  
FIG. 4 is a left side elevational view thereof;  
FIG. 5 is a right side elevational view thereof;  
FIG. 6 is a top plan view thereof; and,  
FIG. 7 is a bottom plan view thereof.  
The broken lines environment is for illustrative purpose only and forms no part of the claimed design.

**1 Claim, 5 Drawing Sheets**



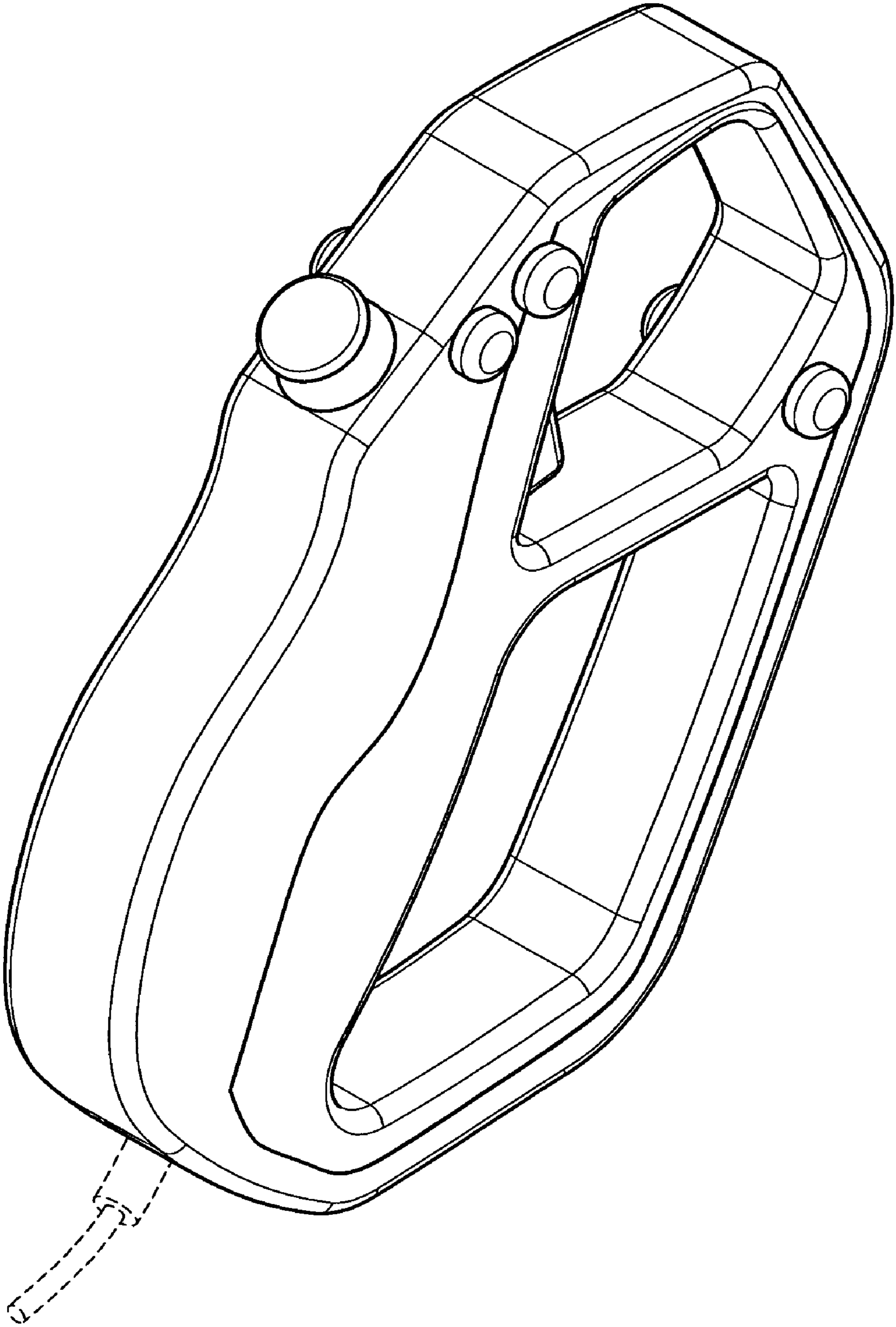


FIG. 1

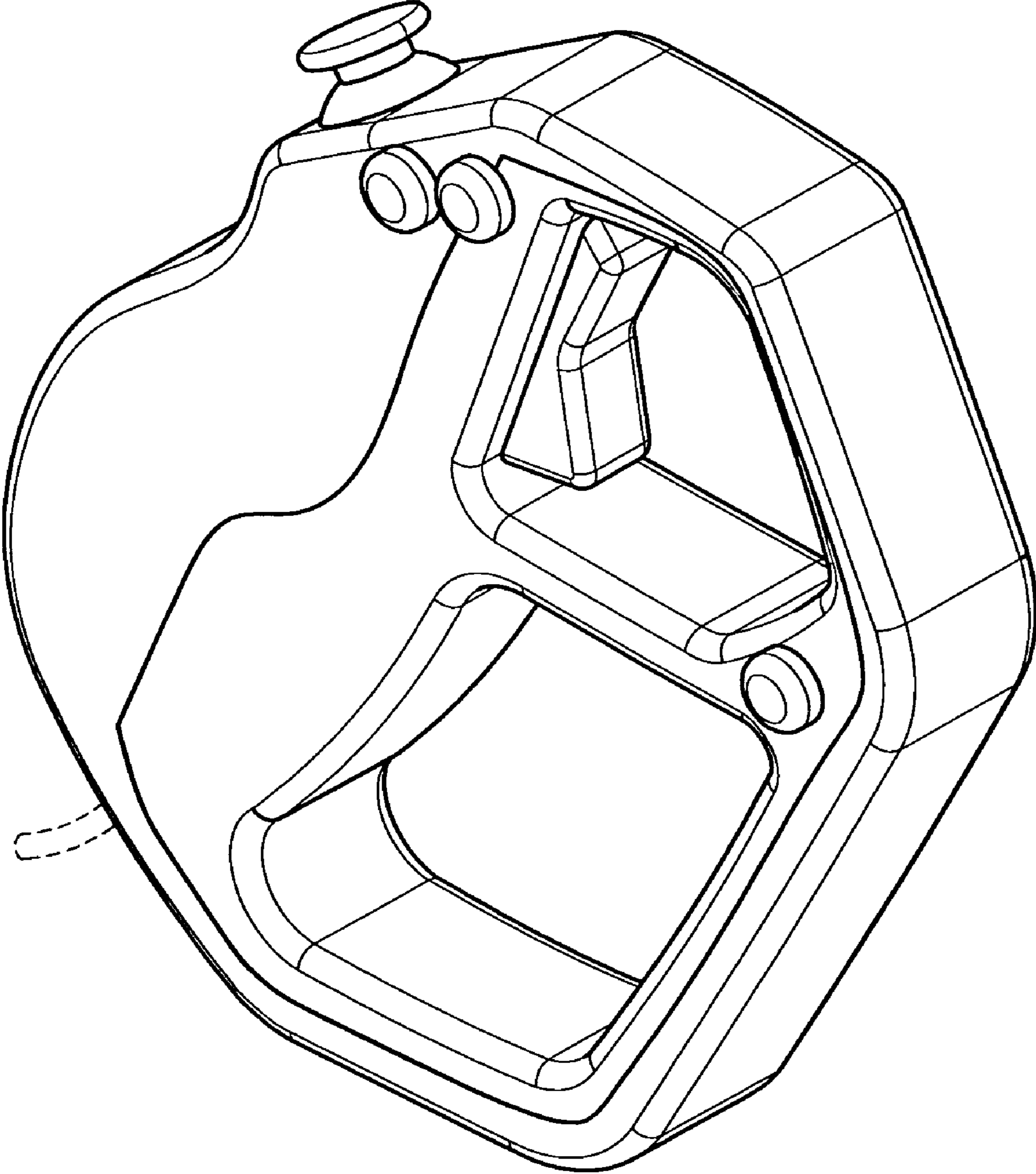


FIG. 2

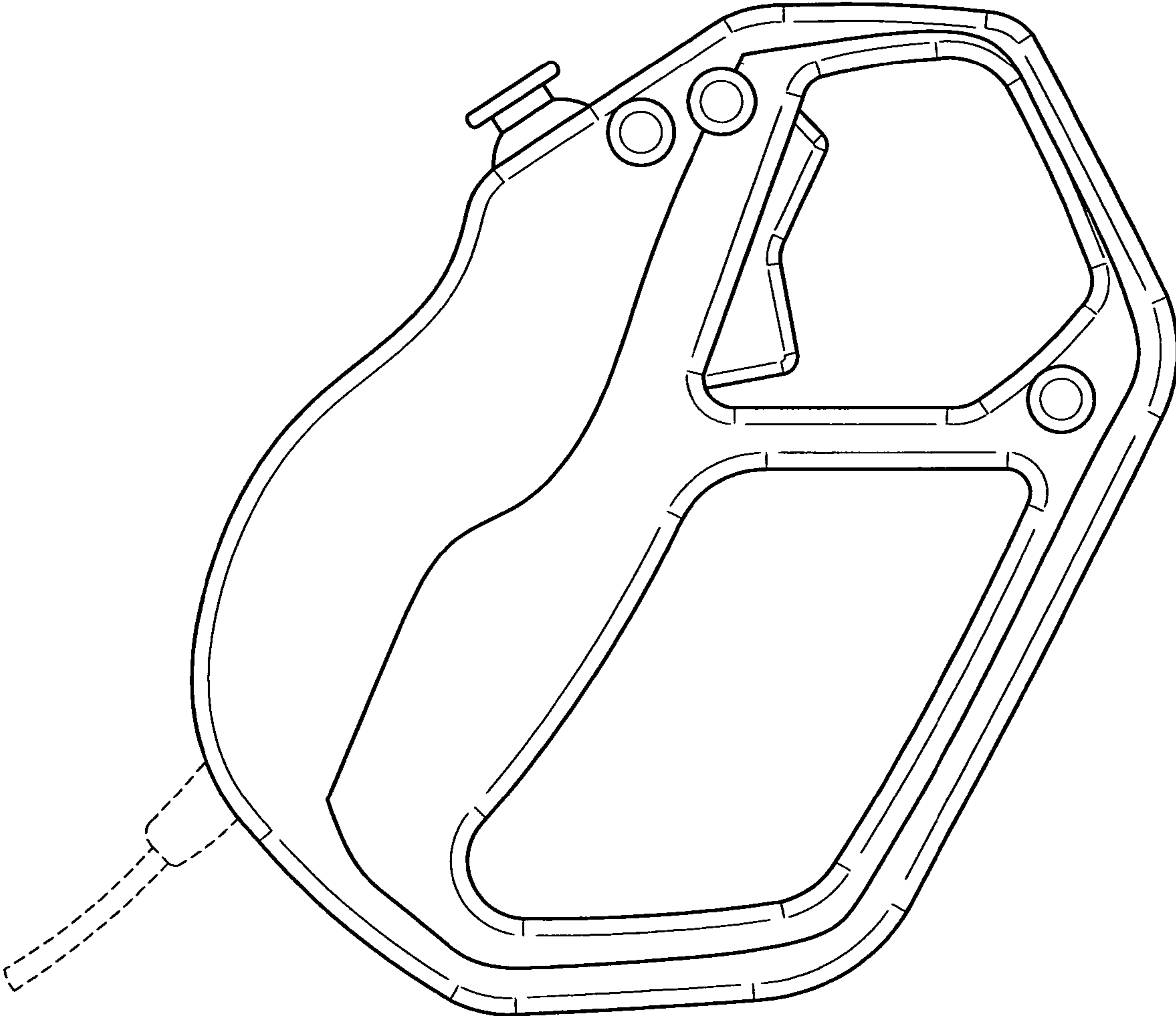
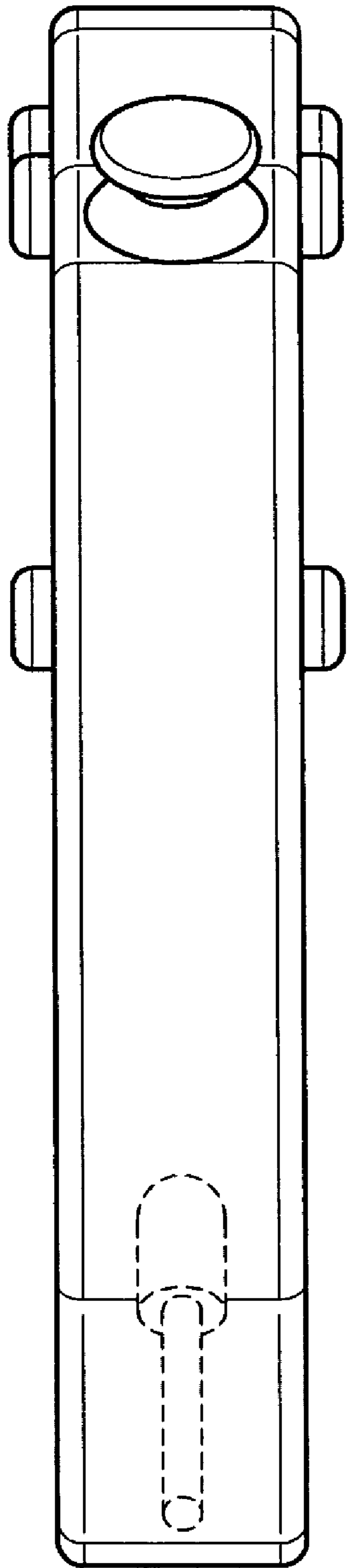
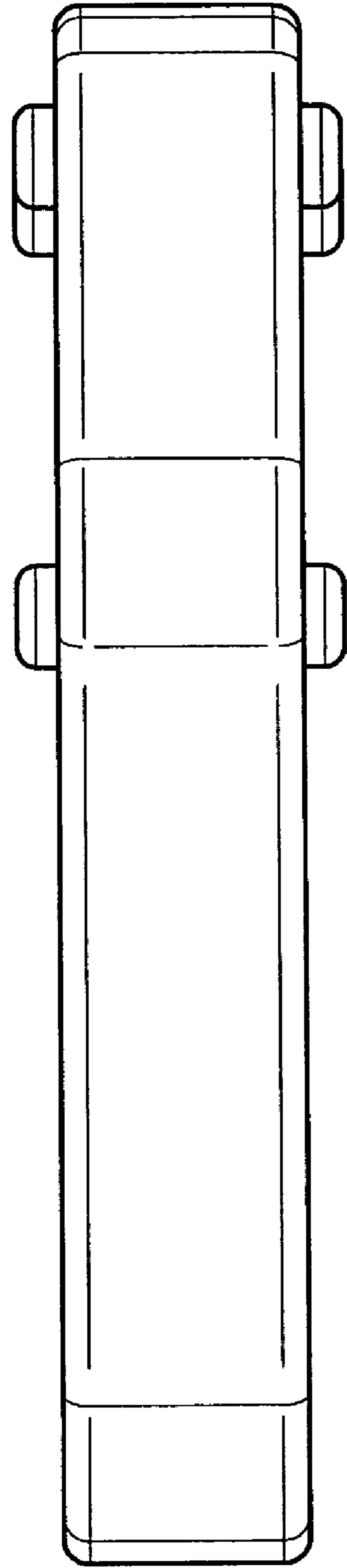


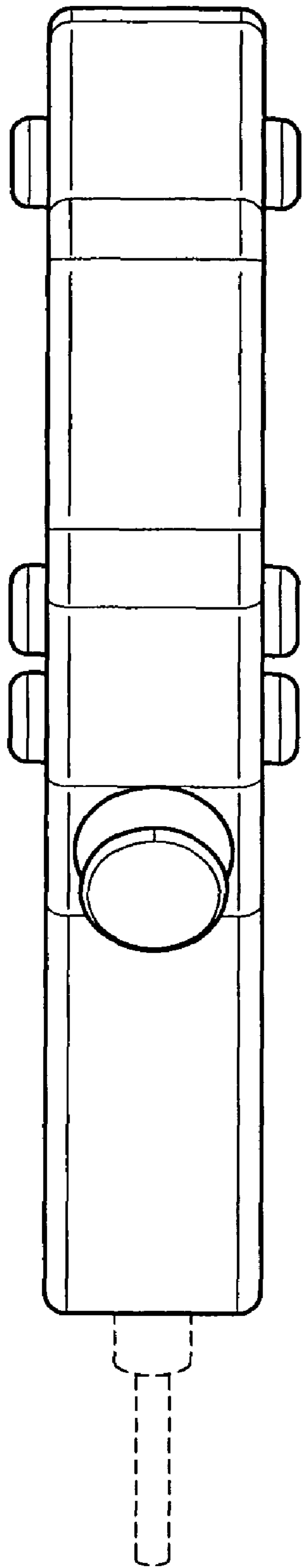
FIG. 3



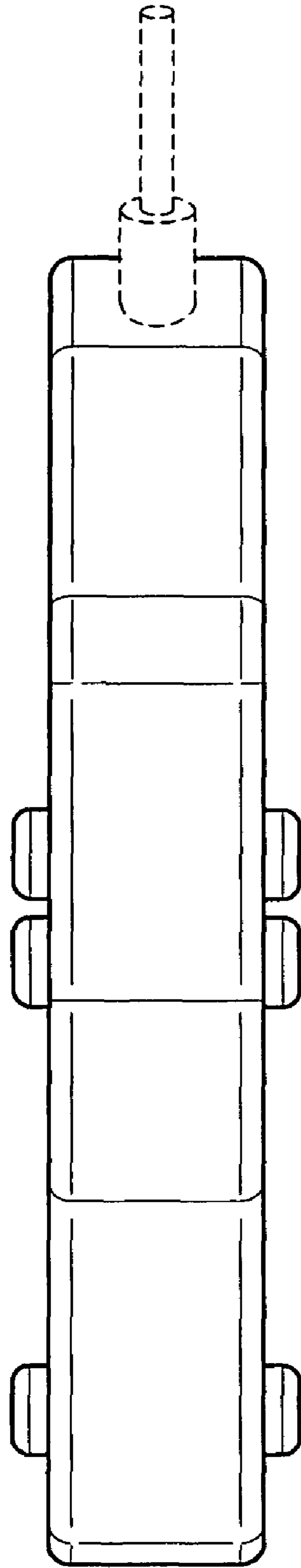
**FIG. 4**



**FIG. 5**



**FIG. 6**



**FIG. 7**