



US00D646334S

(12) **United States Design Patent**  
**Ingram**

(10) **Patent No.:** **US D646,334 S**

(45) **Date of Patent:** **\*\* Oct. 4, 2011**

(54) **TOSSING GAME**

(76) **Inventor:** **Tommy Lee Ingram**, Calumet Park, IL  
(US)

(\*\*) **Term:** **14 Years**

(21) **Appl. No.:** **29/382,157**

(22) **Filed:** **Dec. 29, 2010**

(51) **LOC (9) Cl.** ..... **21-01**

(52) **U.S. Cl.** ..... **D21/303**

(58) **Field of Classification Search** ..... D21/330-303,  
D21/385, 386, 390; 273/348, 398-402, 407,  
273/127 R; 473/569, 587, 588, 593, 594  
See application file for complete search history.

(56) **References Cited**

**U.S. PATENT DOCUMENTS**

D29,575 S	11/1898	Sterling	
1,079,954 A *	12/1913	June	148/30
D86,170 S	2/1932	Livingston	
D116,559 S	9/1939	Fisher	
D119,260 S	3/1940	Gould	
2,313,473 A	3/1943	Heacock et al.	
3,021,140 A *	2/1962	Lushansky, Jr.	273/271
D220,963 S	6/1971	Cohen	
D226,570 S	3/1973	Neece	
3,781,013 A *	12/1973	Von Meyer	273/239
4,155,198 A *	5/1979	Kelley	47/84
D255,129 S *	5/1980	Strongin	D21/341
4,331,335 A *	5/1982	Starkweather	273/348.3
D265,408 S *	7/1982	Ericson	D21/344
D276,448 S	11/1984	Kim et al.	
D285,318 S	8/1986	Propson	
4,620,709 A *	11/1986	Palladino, Jr.	273/264
D325,224 S *	4/1992	Russell	D21/303

D325,938 S	5/1992	Stuhr	
D333,442 S *	2/1993	Del Buono	D10/106.1
D333,492 S	2/1993	Paredes	
5,318,307 A *	6/1994	Bouchard et al.	273/348.4
5,342,057 A *	8/1994	Sorkoram	273/239
D369,188 S	4/1996	Briggs	
D375,761 S	11/1996	Cone, Jr.	
D449,349 S	10/2001	Fong	
D493,055 S	7/2004	Ferretti	
D513,043 S	12/2005	Hunley	

\* cited by examiner

*Primary Examiner* — Prabhakar Deshmukh

(74) *Attorney, Agent, or Firm* — QuickPatents, Inc.; Kevin Prince

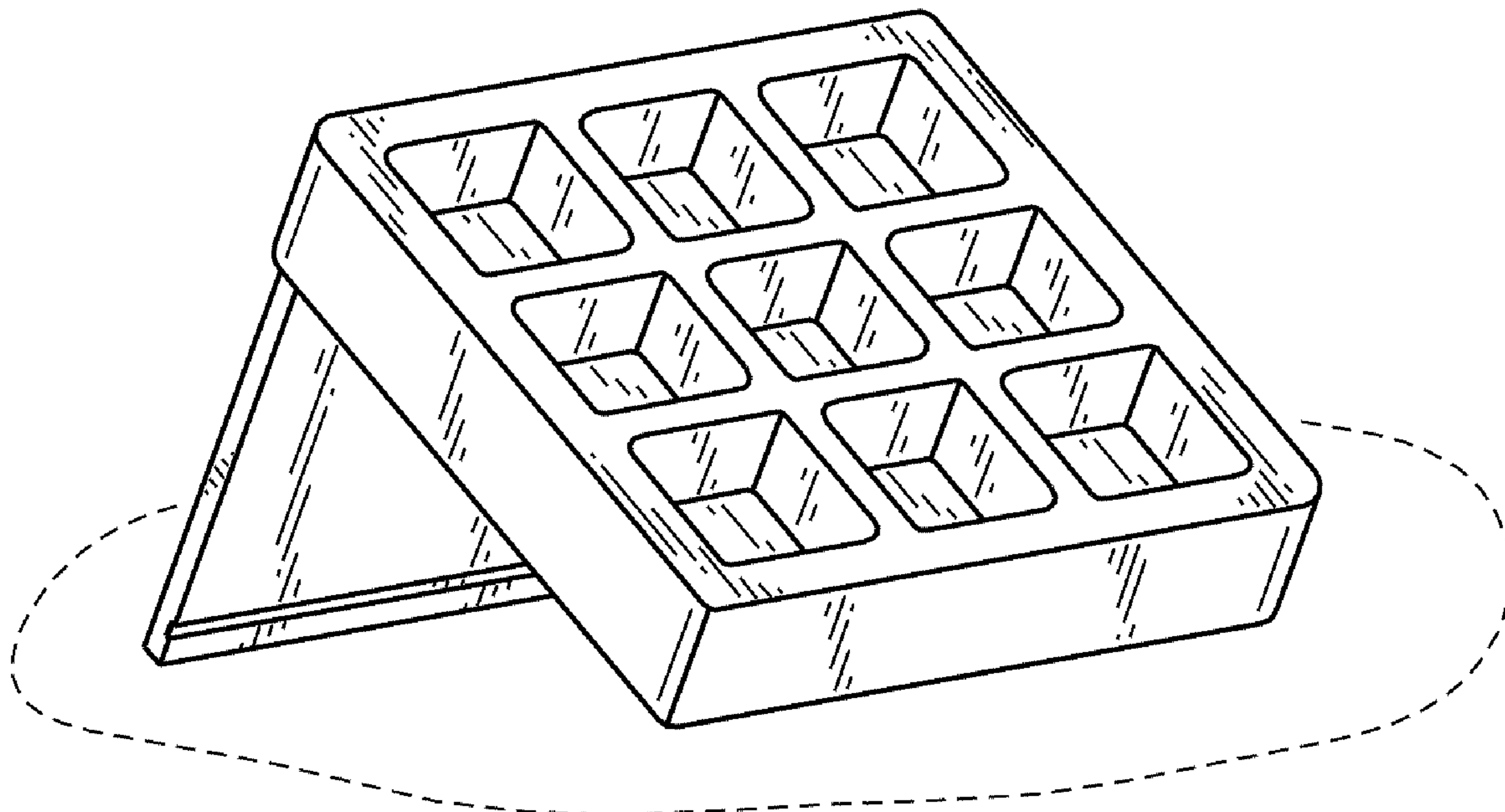
(57) **CLAIM**

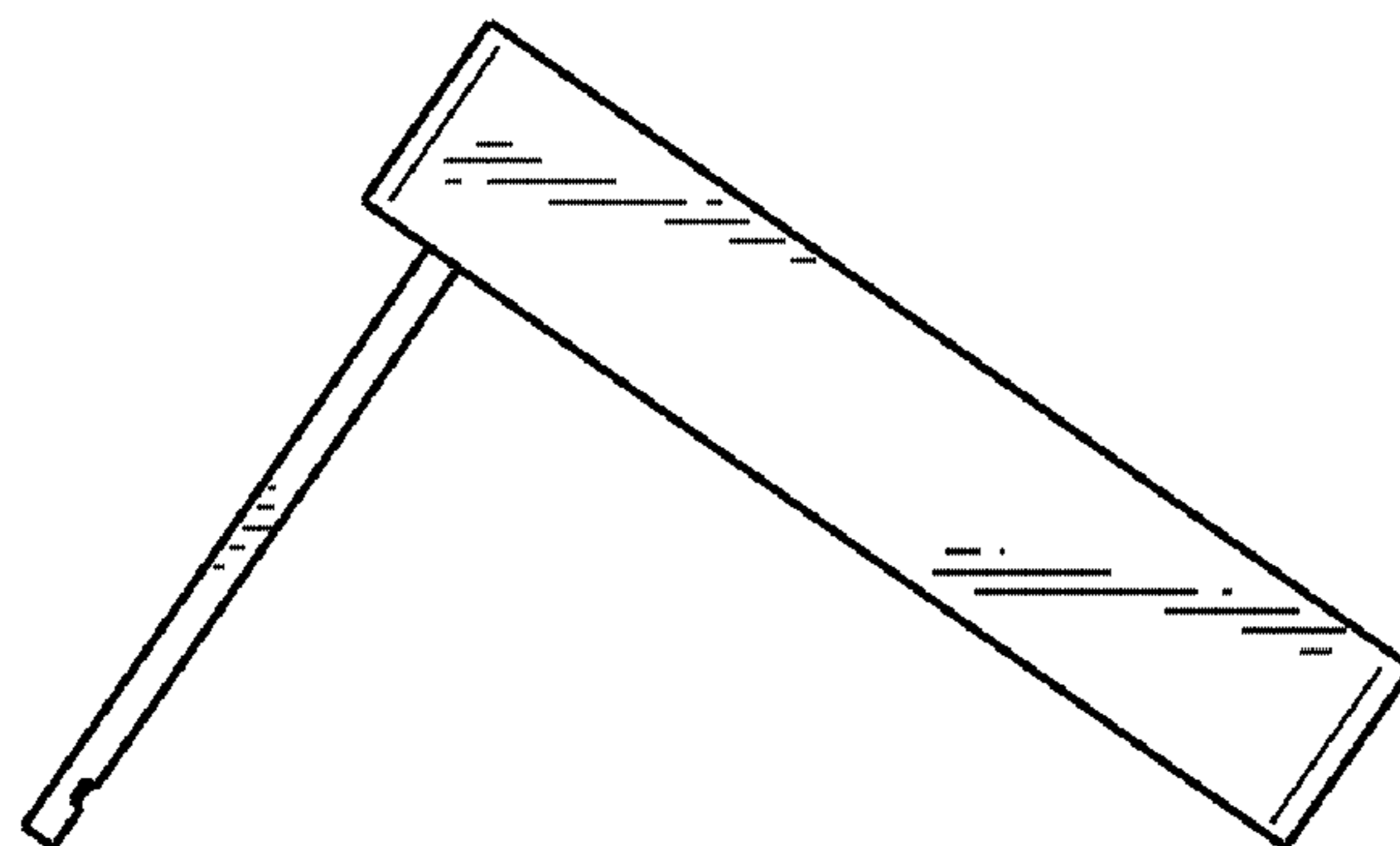
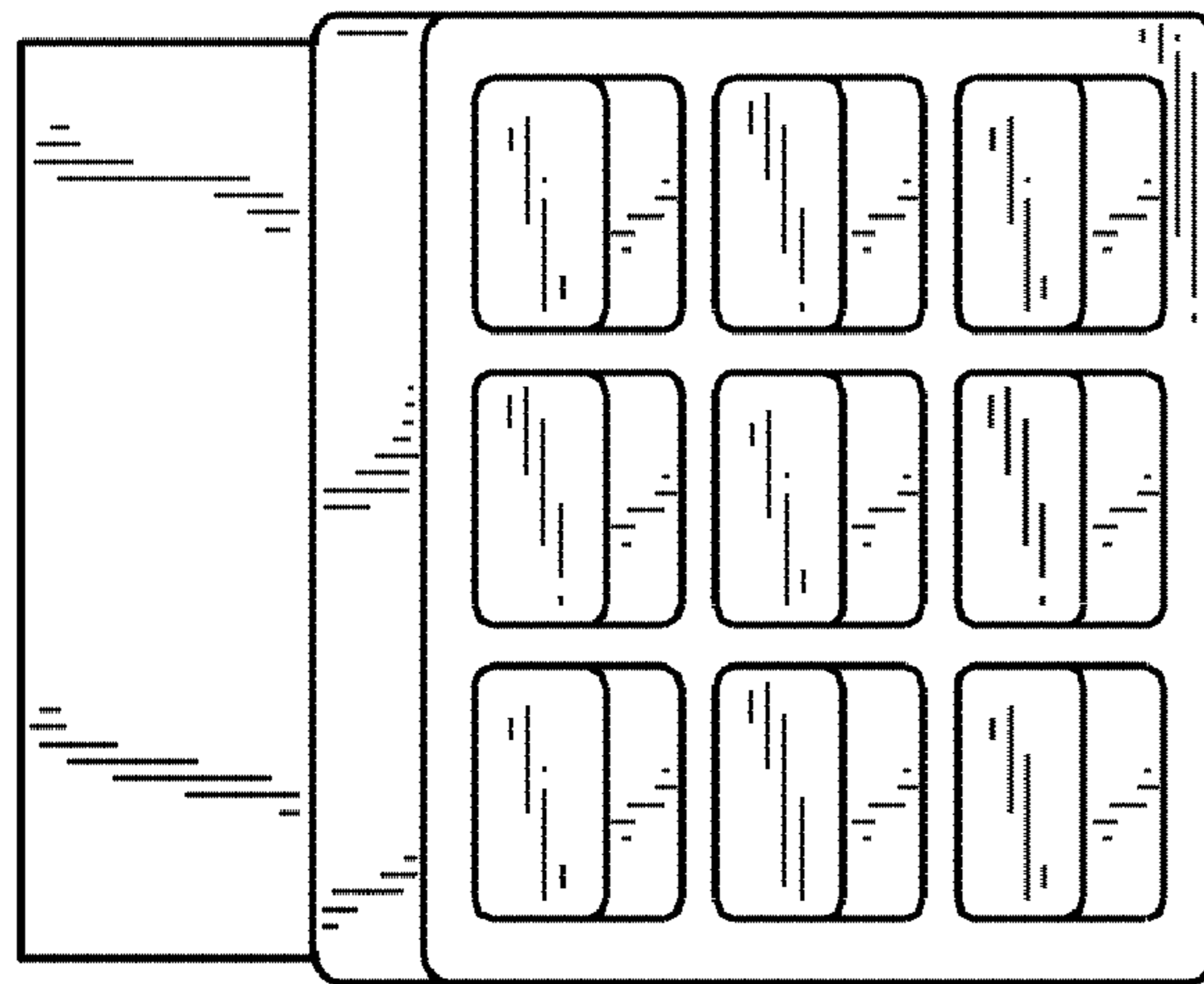
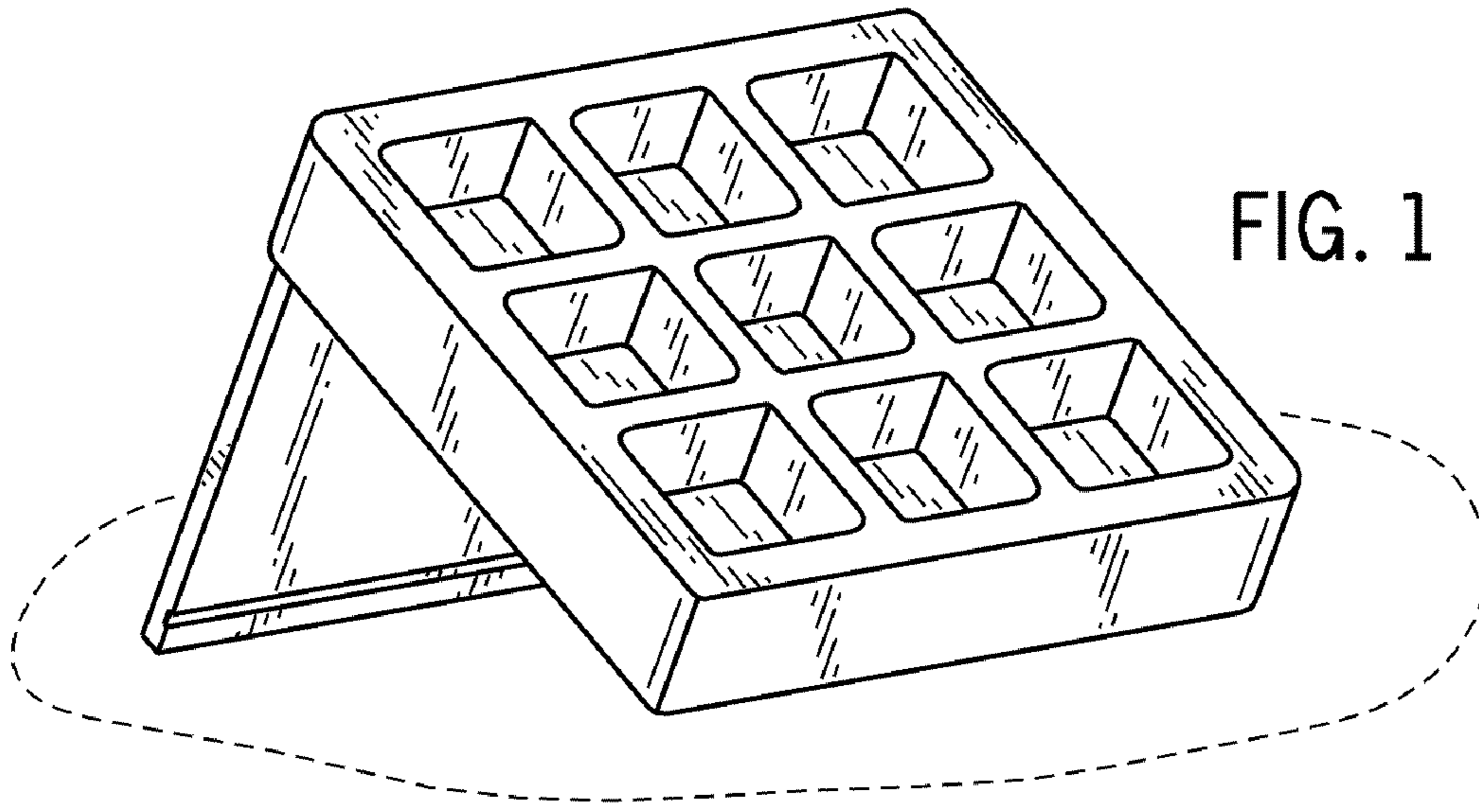
What is claimed is the ornamental design for a tossing game, as shown and described.

**DESCRIPTION**

FIG. 1 is a perspective view of a tossing game, showing the new design in an expanded configuration;  
 FIG. 2 is a top plan view thereof;  
 FIG. 3 is a right-side elevational view thereof, the left-side elevational view being a mirror image thereof;  
 FIG. 4 is a front elevational view thereof;  
 FIG. 5 is a rear elevational view thereof;  
 FIG. 6 is a bottom plan view thereof;  
 FIG. 7 is a bottom perspective view thereof, illustrated in a collapsed configuration; and,  
 FIG. 8 is a bottom plan view of FIG. 7.  
 The broken lines showing a ground surface in FIG. 1 are included for the purpose of illustrating the invention in use, and form no part of the claimed design.

**1 Claim, 3 Drawing Sheets**





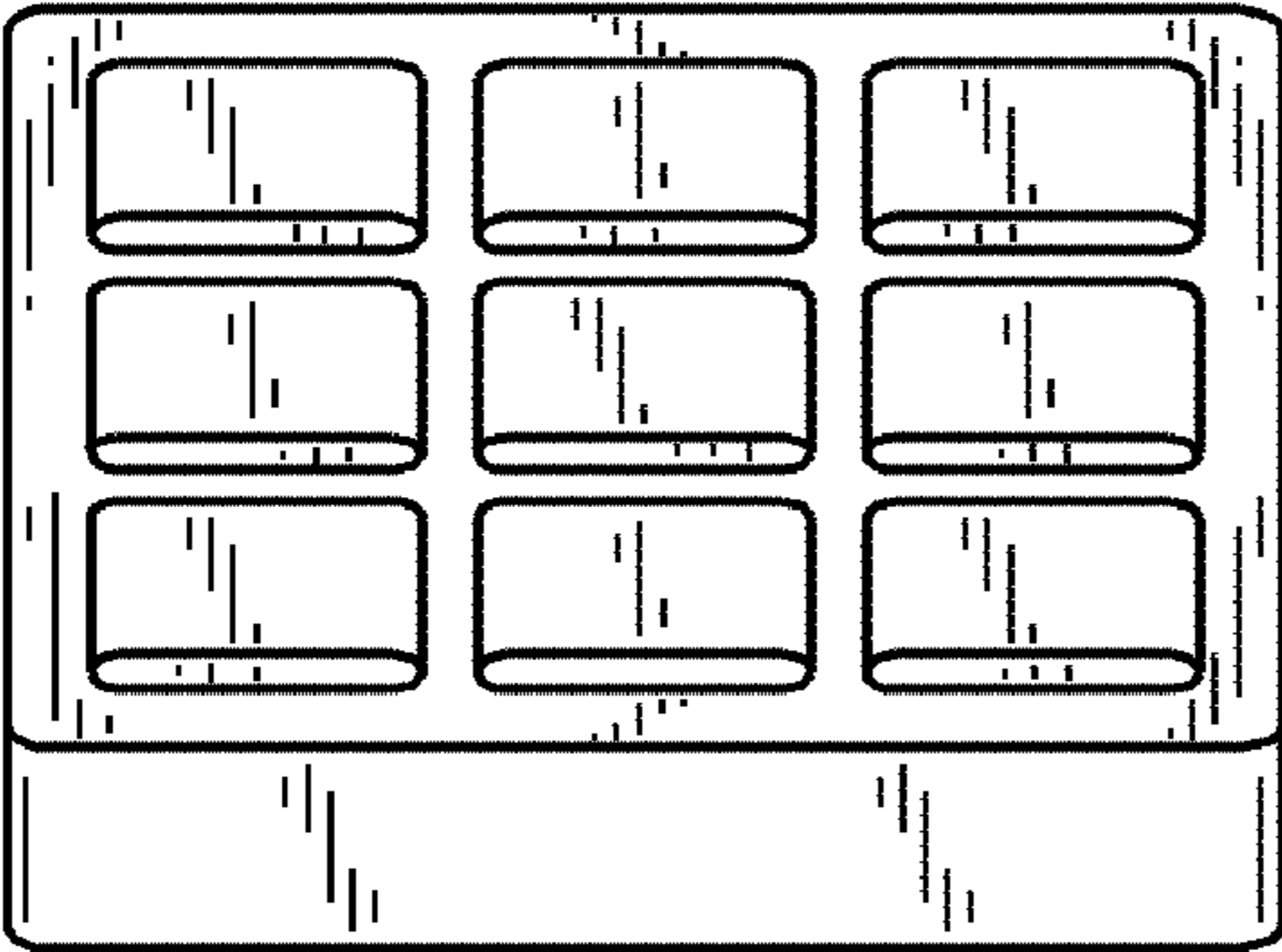


FIG. 4

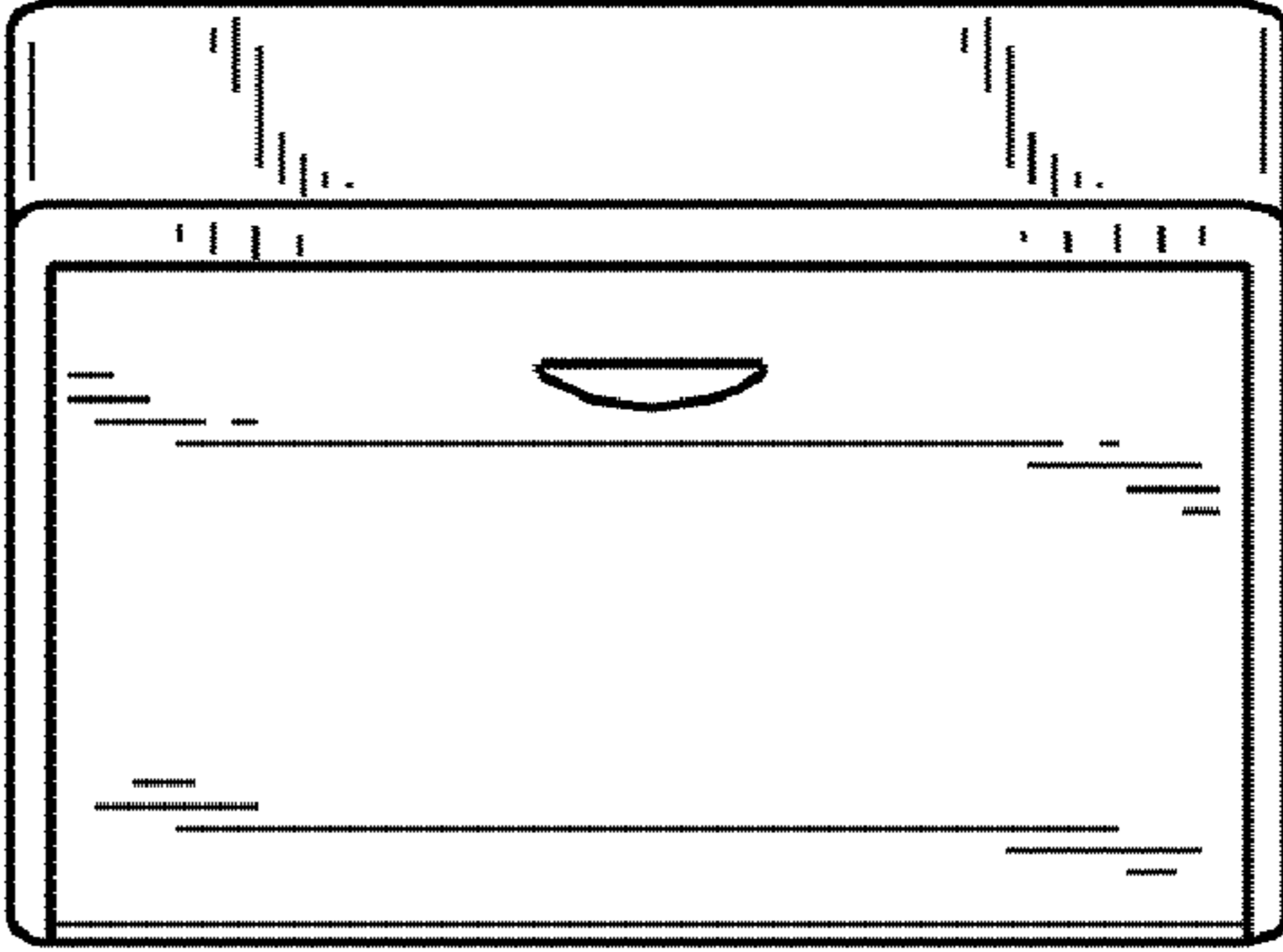


FIG. 5

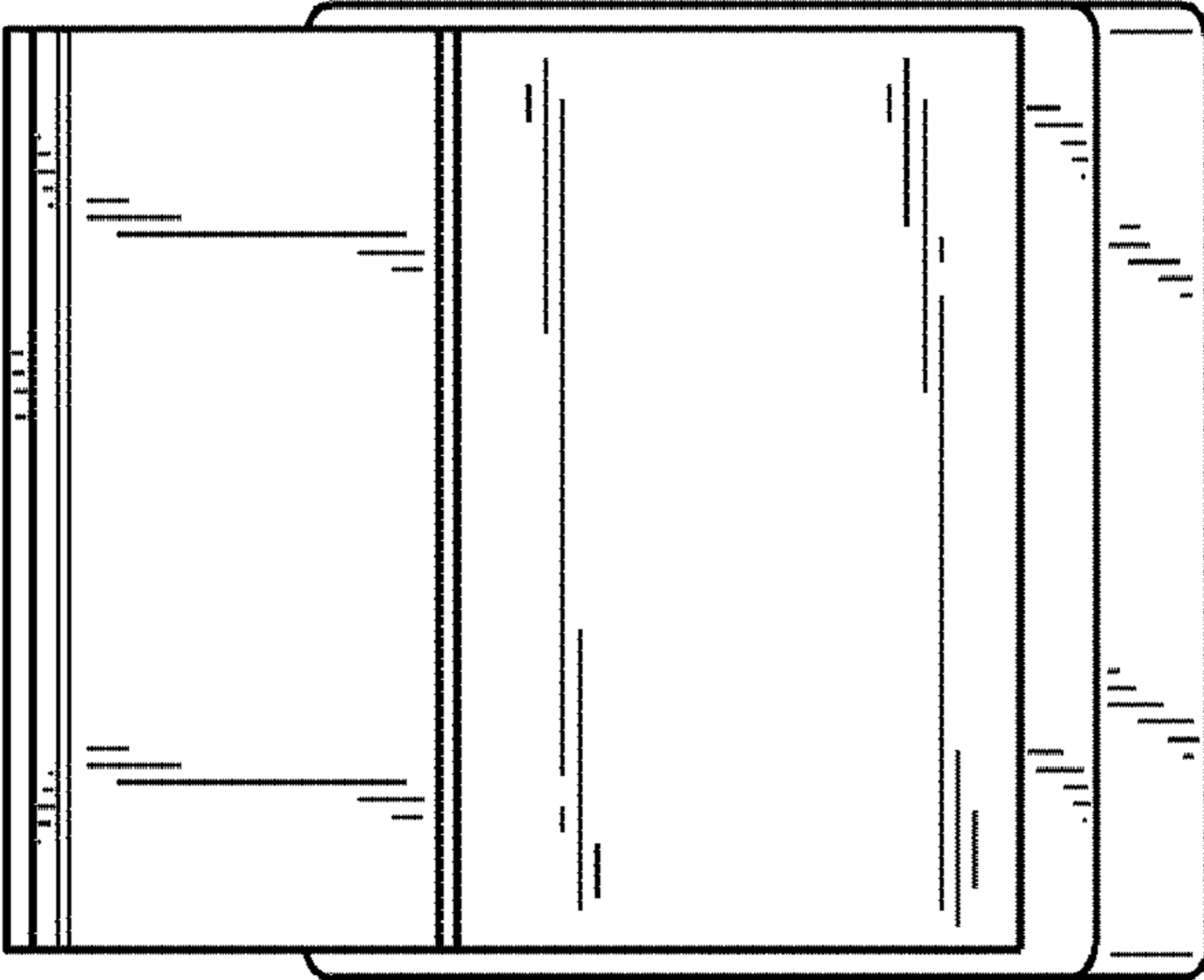


FIG. 6

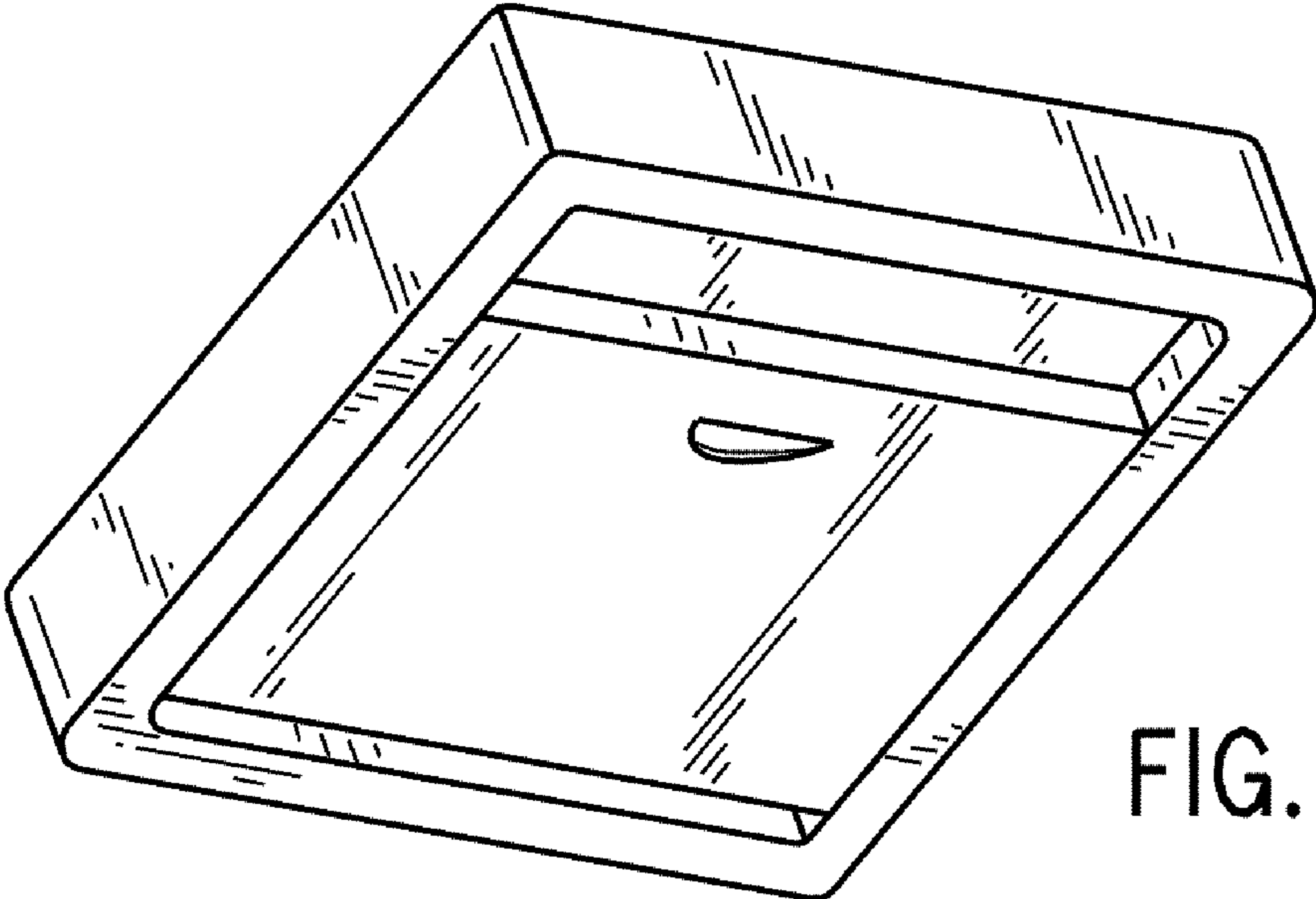


FIG. 7

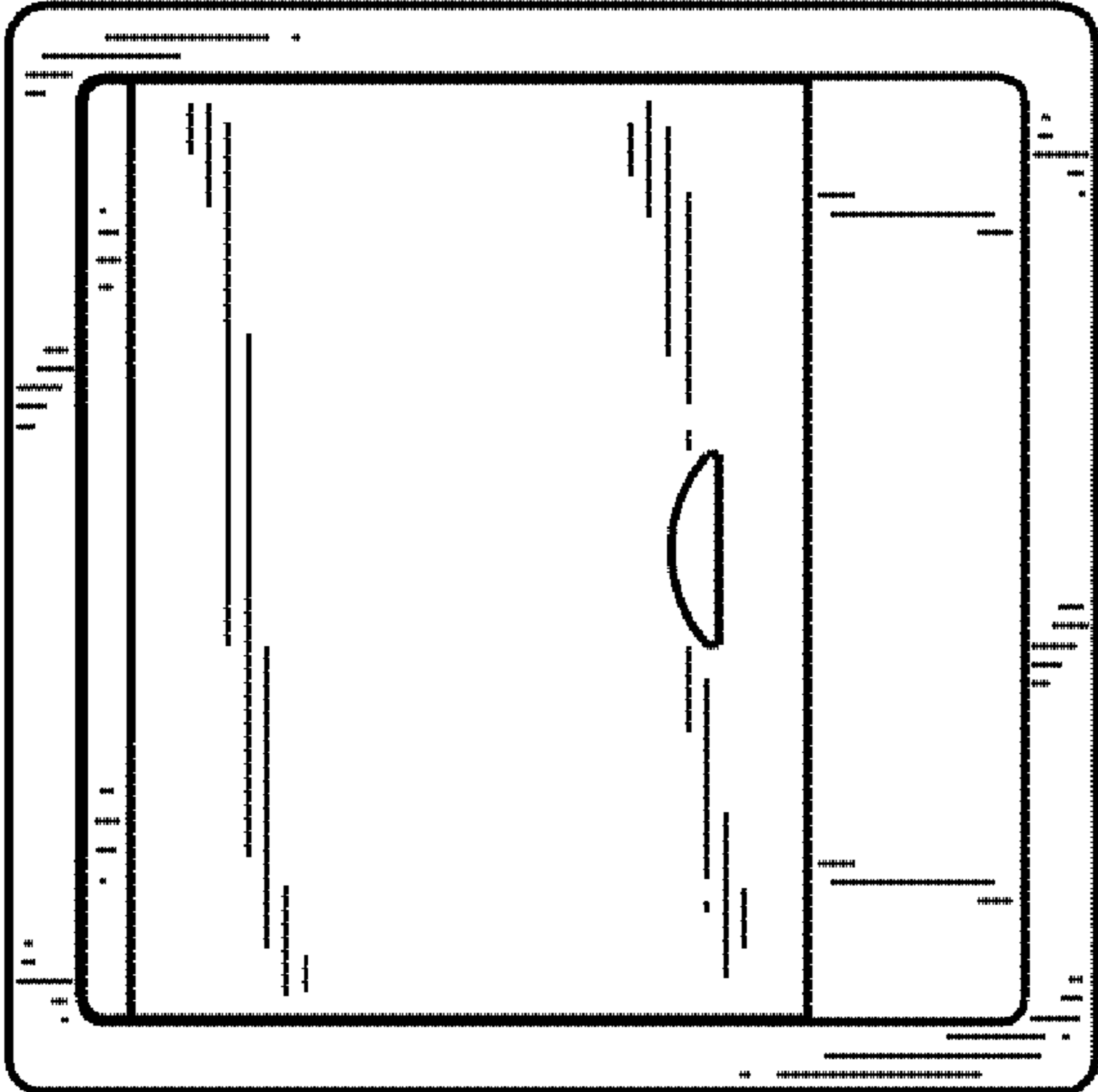


FIG. 8