



US00D646332S

(12) **United States Design Patent**
Yi et al.

(10) **Patent No.:** **US D646,332 S**
(45) **Date of Patent:** **** Oct. 4, 2011**

(54) **DESKTOP SIGN**

(75) Inventors: **Jean Yi**, Foshan (CN); **Danielle Rodgers**, Indianapolis, IN (US)

(73) Assignee: **Deflecto, LLC**, Indianapolis, IN (US)

(**) Term: **14 Years**

(21) Appl. No.: **29/384,281**

(22) Filed: **Jan. 28, 2011**

(51) **LOC (9) Cl.** **20-03**

(52) **U.S. Cl.** **D20/15; D20/43**

(58) **Field of Classification Search** D20/10,
D20/13-15, 18, 19, 29, 39-43, 99; 40/358,
40/446, 452, 453, 538, 541, 542, 545-548,
40/563, 564, 568, 570-574, 582, 584, 594,
40/600, 605, 615, 617, 618, 624; D6/300,
D6/310, 314; D10/109.1, 109.2; 248/174;
362/812

See application file for complete search history.

(56) **References Cited**

U.S. PATENT DOCUMENTS

3,341,162	A *	9/1967	Ruchlis	248/174
D343,065	S *	1/1994	Barbieri	D6/310
D386,008	S *	11/1997	Wong	D6/310
D435,270	S *	12/2000	Healy	D20/10
D445,263	S *	7/2001	Malamud	D6/310

D548,796	S *	8/2007	Sachnoff	D20/43
D551,717	S	9/2007	Diller		
D551,718	S	9/2007	Diller		
D577,075	S *	9/2008	Bode	D20/43
D633,568	S *	3/2011	Hill et al.	D20/10

* cited by examiner

Primary Examiner — Mary Ann Calabrese

(74) *Attorney, Agent, or Firm* — SNR Denton US LLP;
Brian R. McGinley; Anne K.W. Sutton

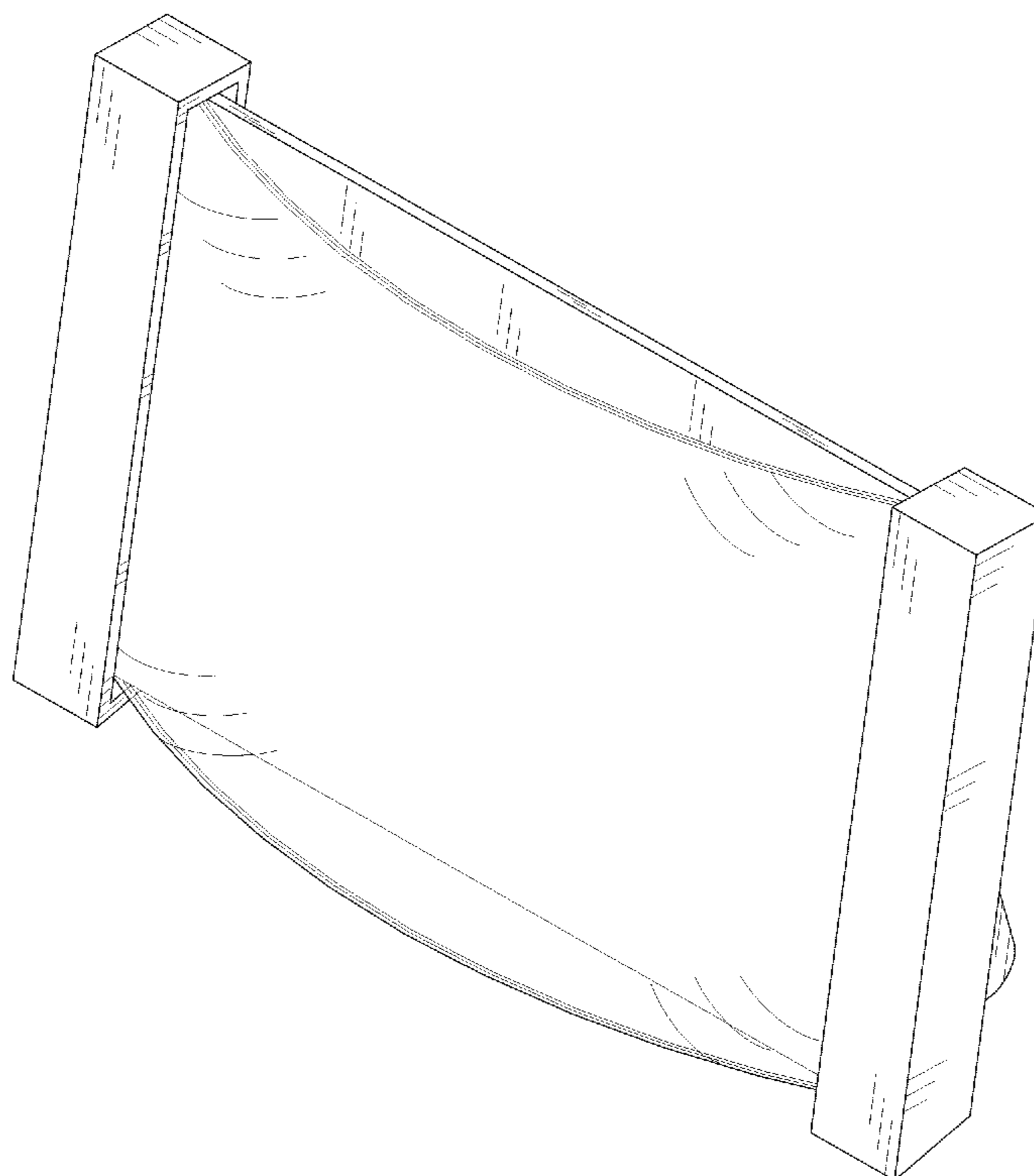
(57) **CLAIM**

The ornamental design for a desktop sign, as shown and described.

DESCRIPTION

FIG. 1 is a front elevational view of the desktop sign illustrating the new design;
FIG. 2 is a right side view of the desktop sign illustrated in FIG. 1; the left side view of the desktop sign is a mirror image of that of the right side view in FIG. 2
FIG. 3 is a rear view of the desktop sign illustrated in FIG. 1;
FIG. 4 is a top view of the desktop sign illustrated in FIG. 1;
FIG. 5 is a bottom view of the desktop sign illustrated in FIG. 1;
FIG. 6 is a front perspective view of the desktop sign shown in FIG. 1; and,
FIG. 7 is a rear perspective view of the desktop sign illustrated in FIG. 1.

1 Claim, 4 Drawing Sheets



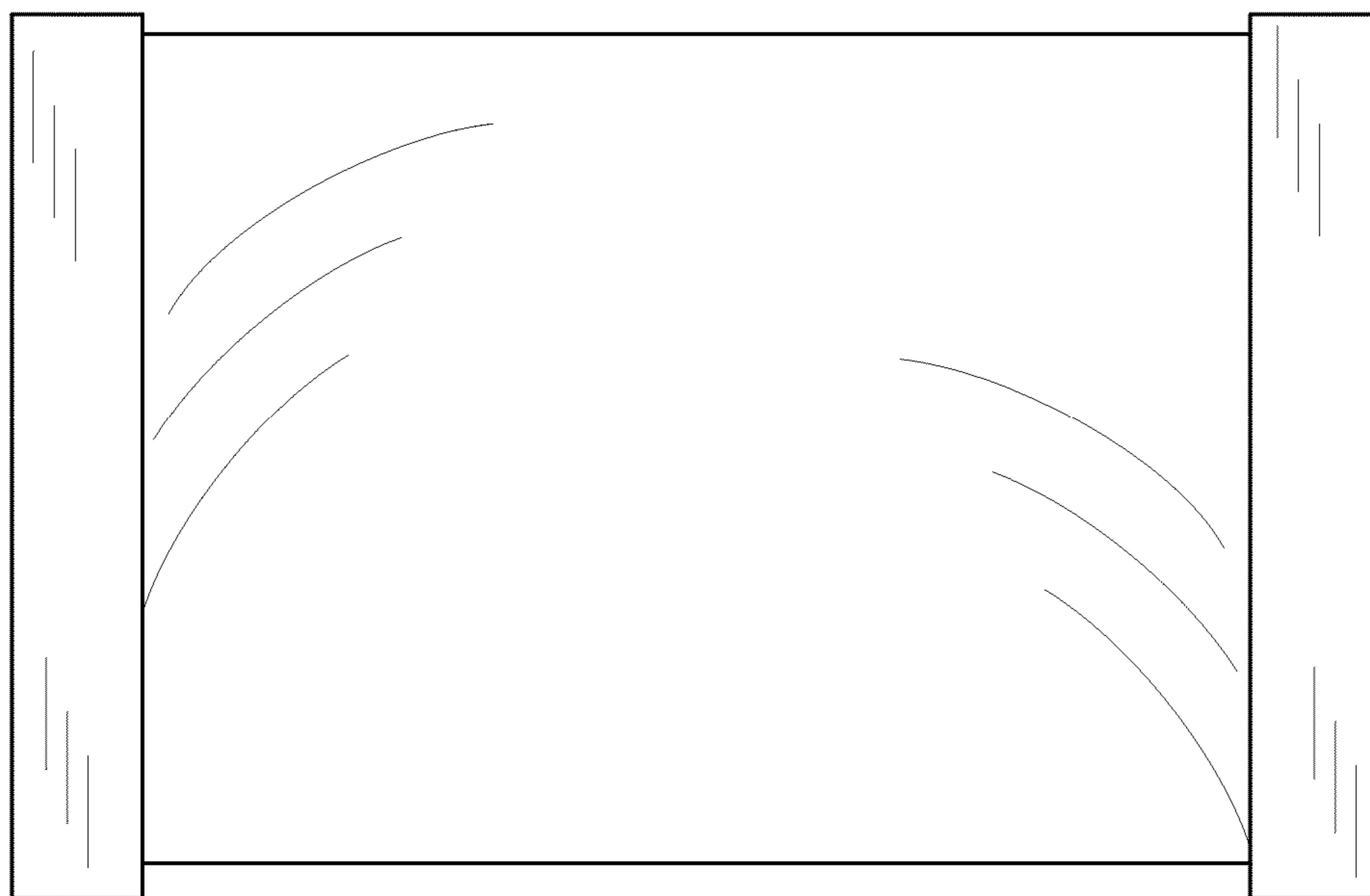


Fig. 1

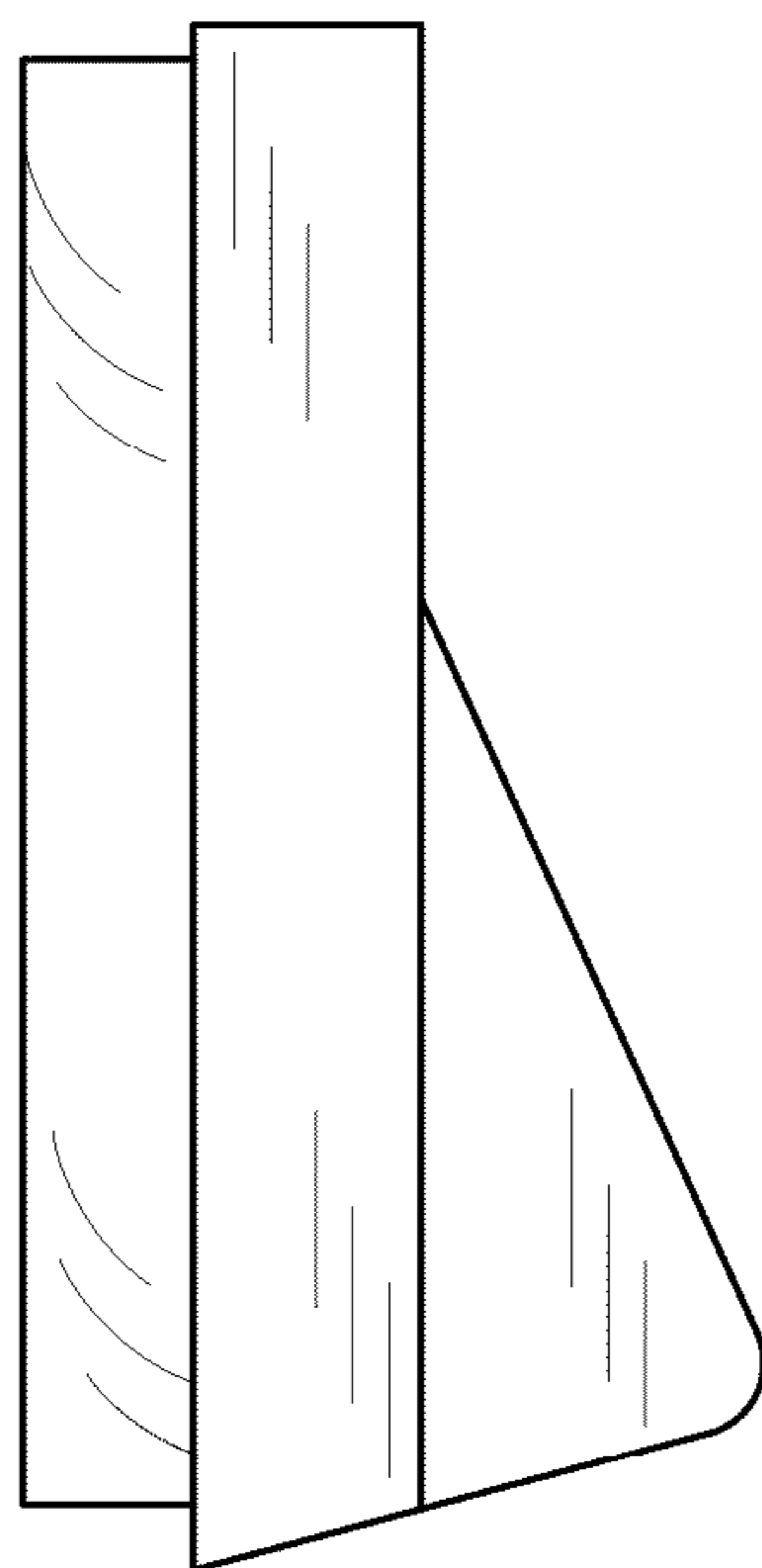


Fig. 2

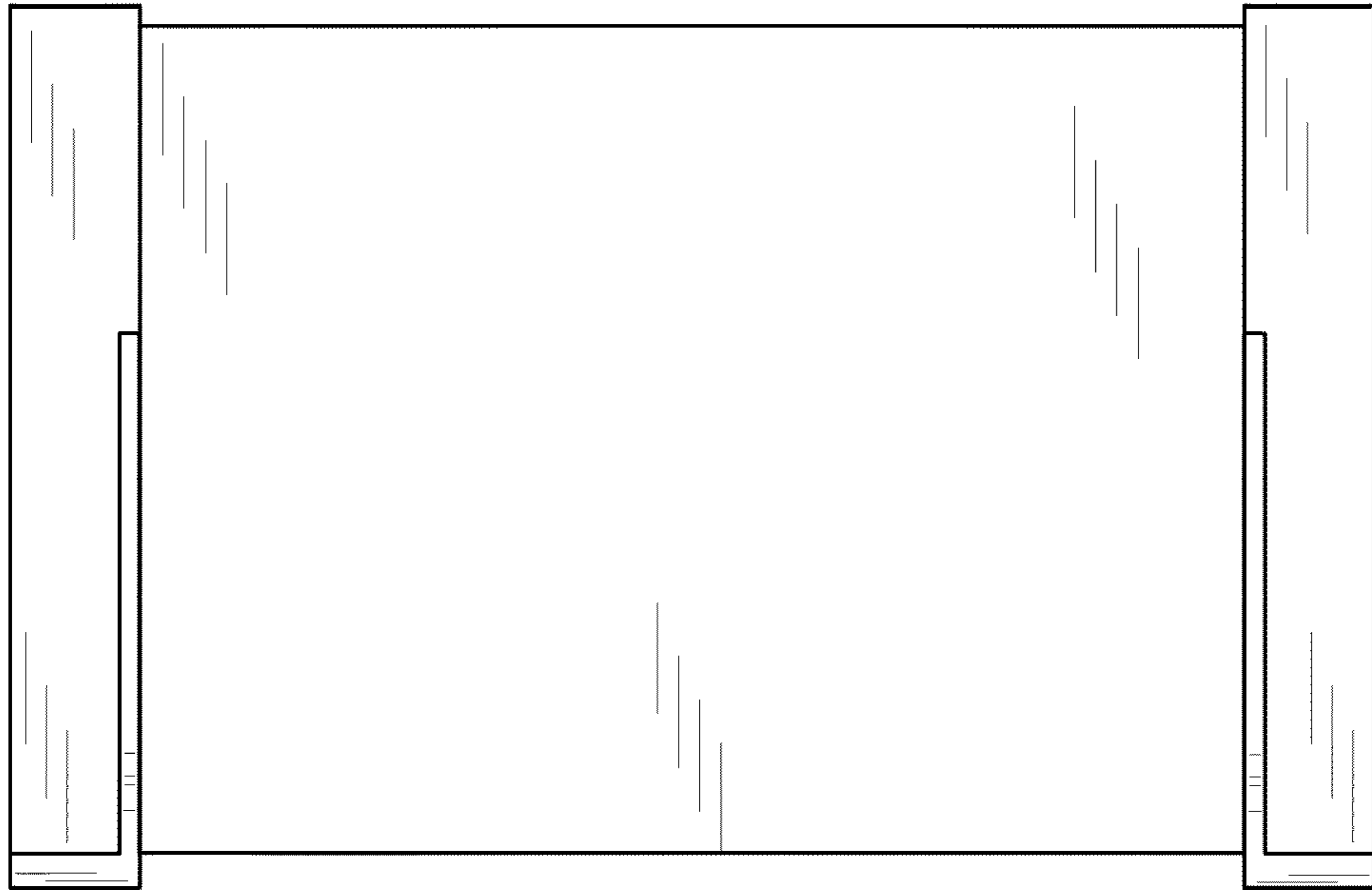


Fig. 3

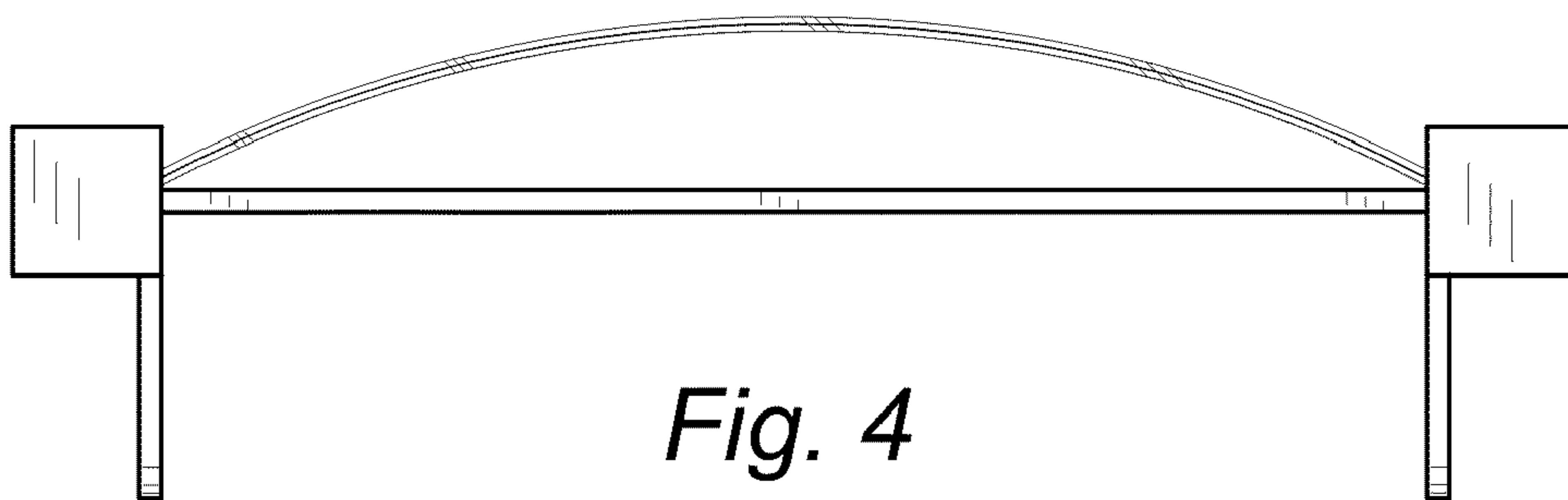


Fig. 4

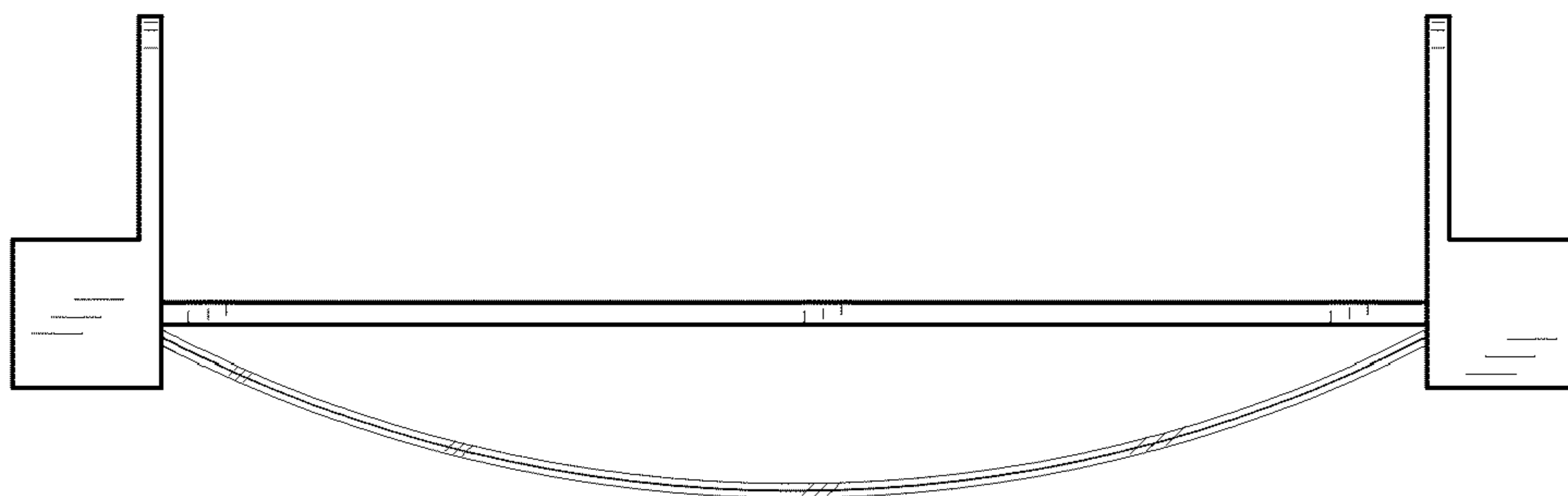


Fig. 5

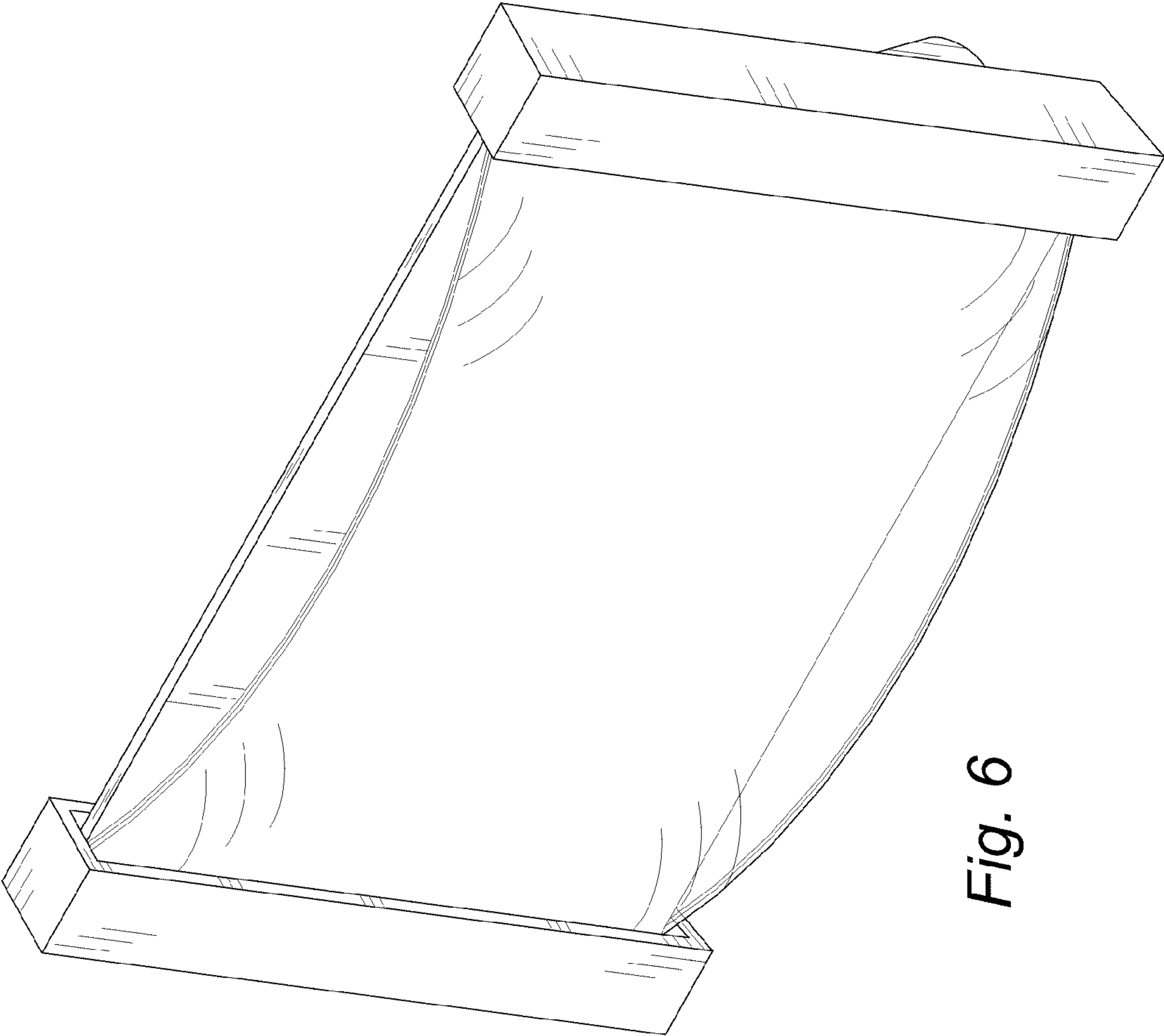


Fig. 6

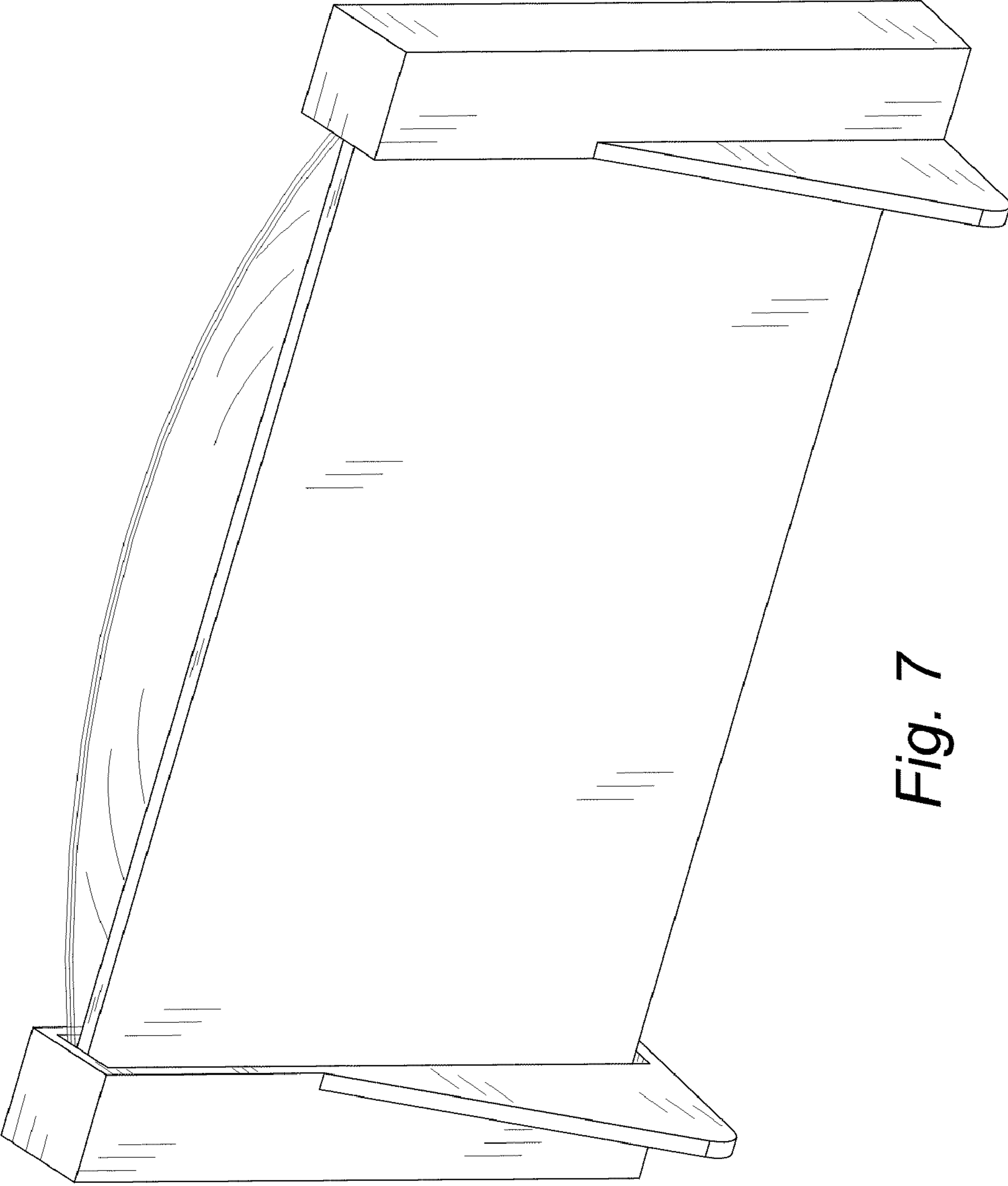


Fig. 7