



US00D646330S

(12) **United States Design Patent**
Chen

(10) **Patent No.:** **US D646,330 S**

(45) **Date of Patent:** **** Oct. 4, 2011**

(54) **TAPE DISPENSER**

(75) Inventor: **Yu-Gang Chen**, Tainan County (TW)

(73) Assignee: **Far East University**, Tainan (TW)

(**) Term: **14 Years**

(21) Appl. No.: **29/373,524**

(22) Filed: **Apr. 20, 2011**

(51) **LOC (9) Cl.** **19-02**

(52) **U.S. Cl.** **D19/69**

(58) **Field of Classification Search** D19/70,
D19/69, 36, 68; 242/588.6, 588.2; 225/77,
225/6, 56, 39, 26, 25, 19, 11, 34; 206/411;
156/577, 527, 523

See application file for complete search history.

(56) **References Cited**

U.S. PATENT DOCUMENTS

D362,684	S	*	9/1995	Samuelson et al.	D19/69
D442,227	S	*	5/2001	Carlson et al.	D19/69
D448,413	S	*	9/2001	Carlson et al.	D19/69
6,669,070	B2	*	12/2003	Huang	225/56
D491,985	S	*	6/2004	Mueller et al.	D19/69
D493,488	S	*	7/2004	Chandaria	D19/69
D507,020	S	*	7/2005	Mueller et al.	D19/69
D529,093	S	*	9/2006	Gullicks et al.	D19/69

D533,905	S	*	12/2006	Gullicks et al.	D19/69
D534,589	S	*	1/2007	Gullicks et al.	D19/69
D568,400	S	*	5/2008	Packard et al.	D19/69
D573,645	S	*	7/2008	Sommers et al.	D19/69
D588,646	S	*	3/2009	Vulpitta	D19/69
D591,354	S	*	4/2009	Vulpitta	D19/69
2002/0079346	A1	*	6/2002	Yu	225/57
2004/0011473	A1	*	1/2004	Van Tyle et al.	156/527

* cited by examiner

Primary Examiner — Austin Murphy

(74) *Attorney, Agent, or Firm* — Muncy, Geissler, Olds & Lowe, PLLC

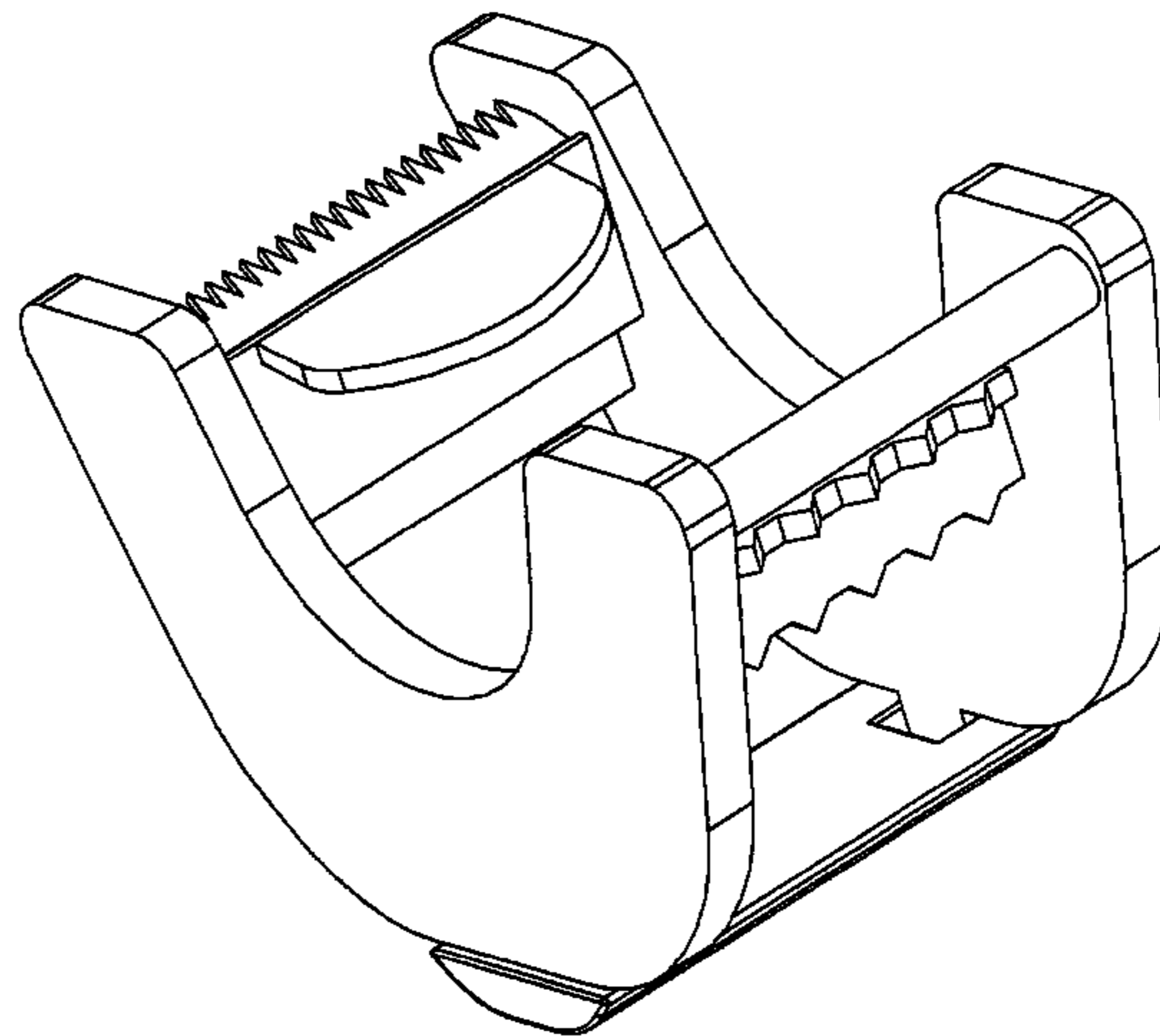
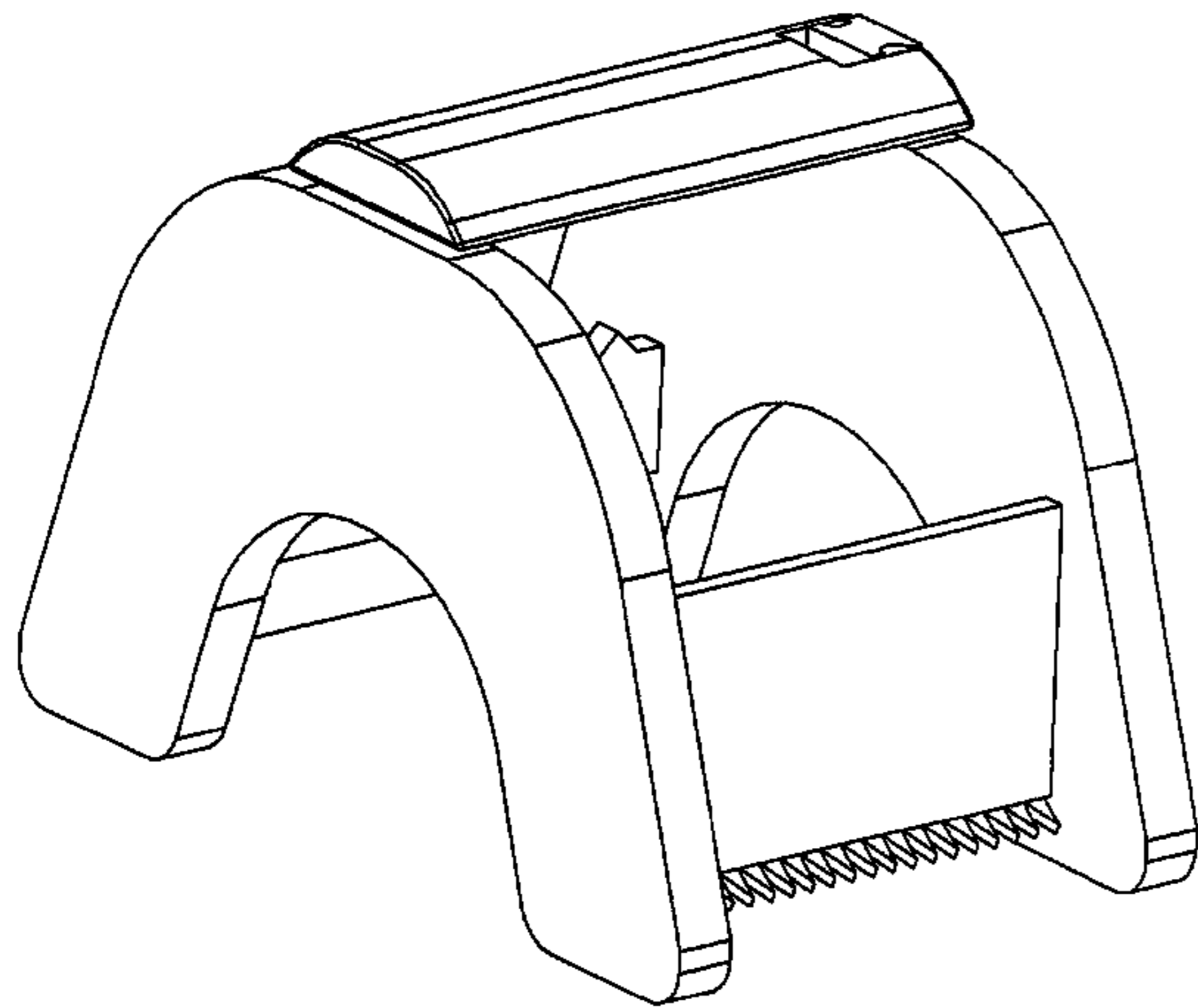
(57) **CLAIM**

The ornamental design for a tape dispenser, as shown and described.

DESCRIPTION

FIG. 1 is a perspective view of a tape dispenser showing our new design;
FIG. 2 is another perspective view thereof;
FIG. 3 is a front view thereof;
FIG. 4 is a rear view thereof;
FIG. 5 is a left side view thereof;
FIG. 6 is a right side view thereof;
FIG. 7 is a top view thereof; and,
FIG. 8 is a bottom view thereof.

1 Claim, 8 Drawing Sheets



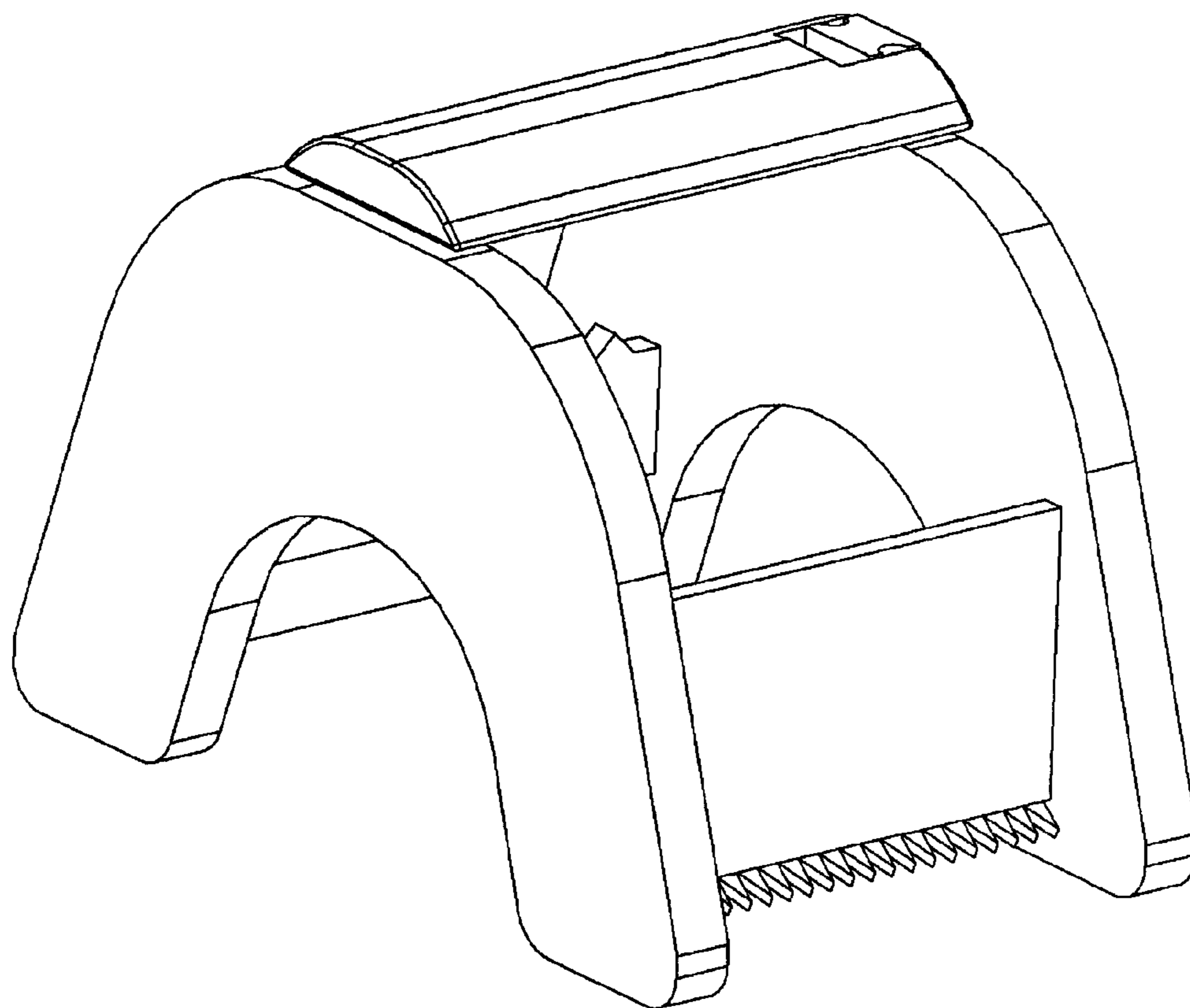


FIG. 1

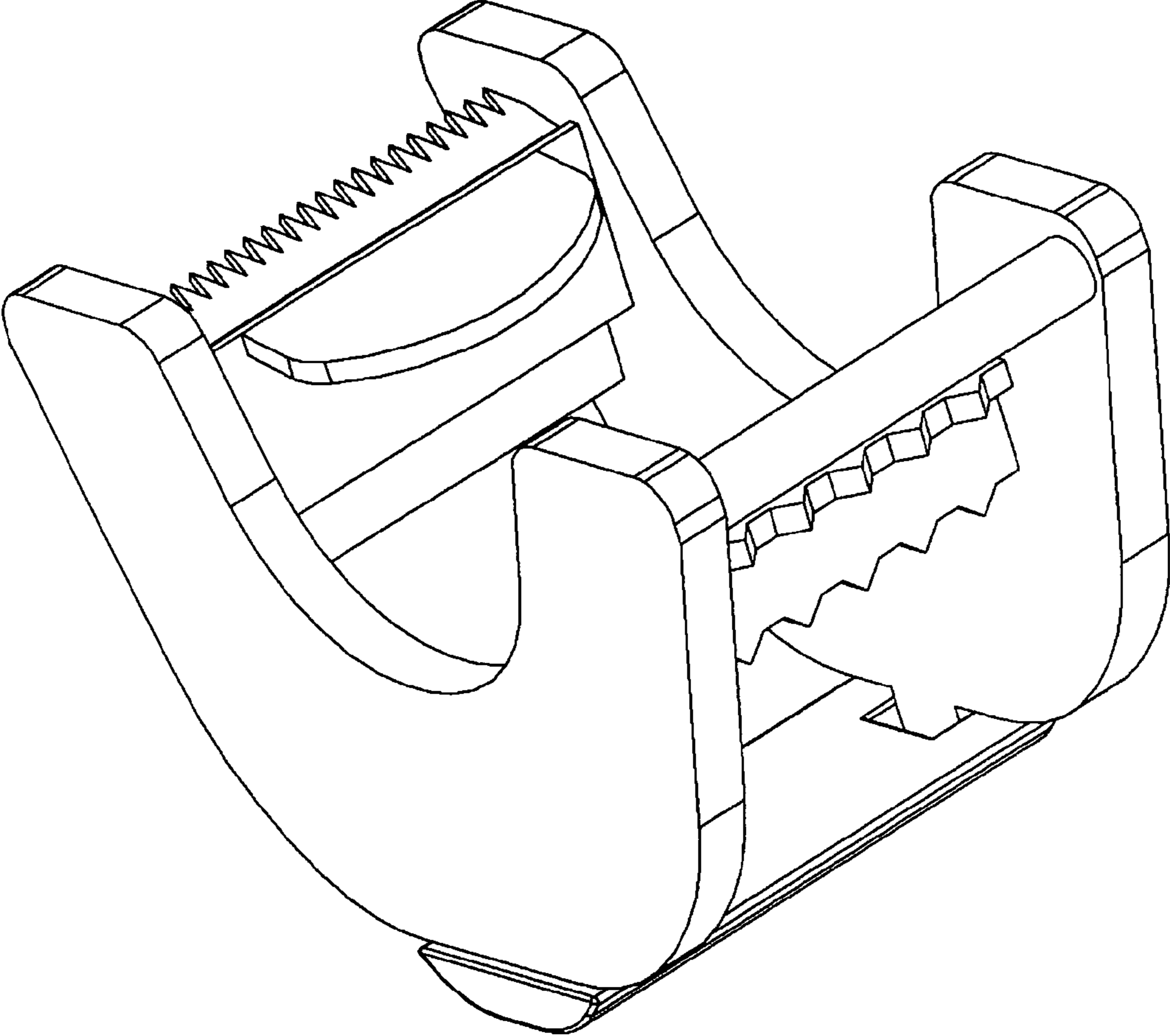


FIG. 2

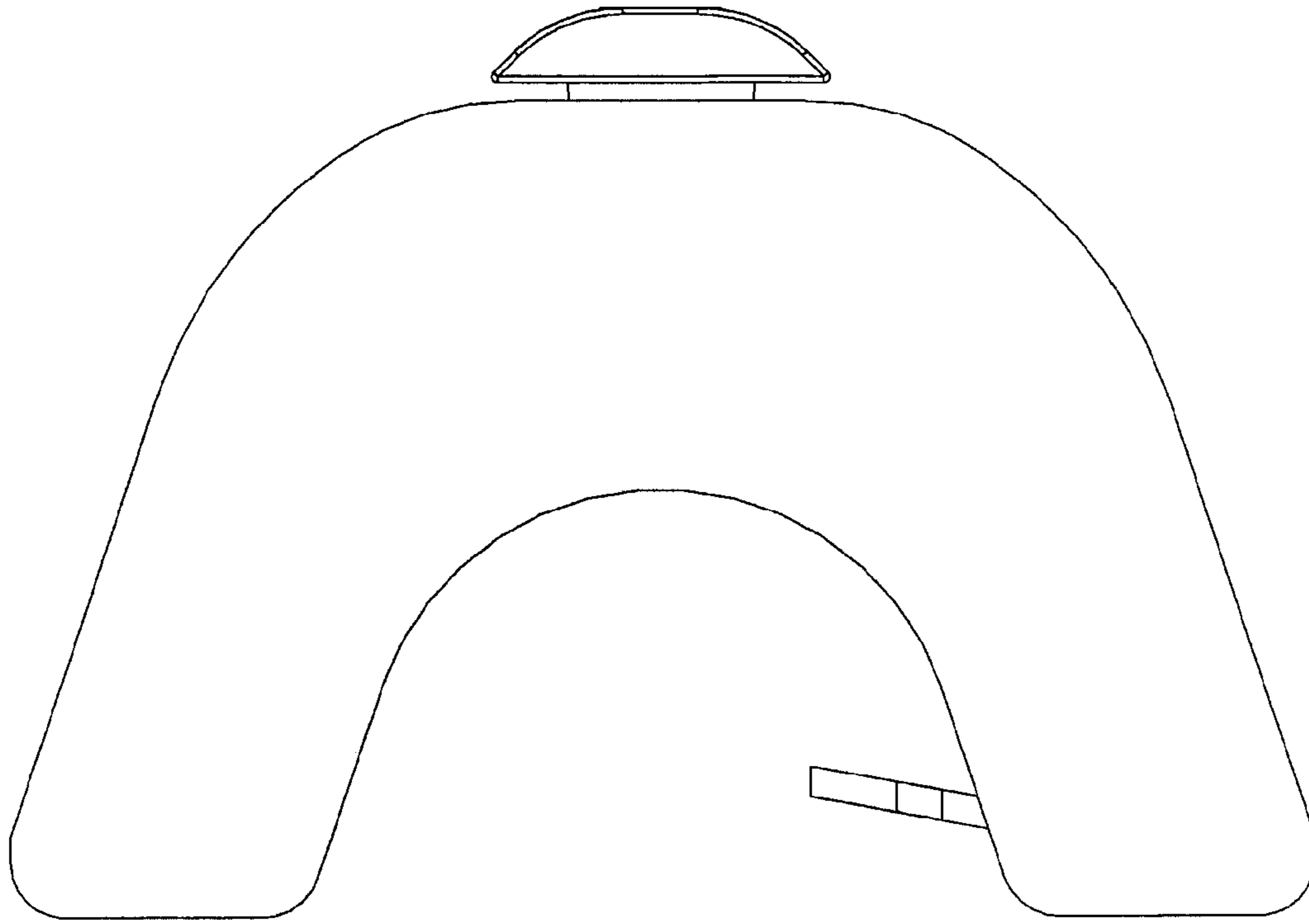


FIG. 3

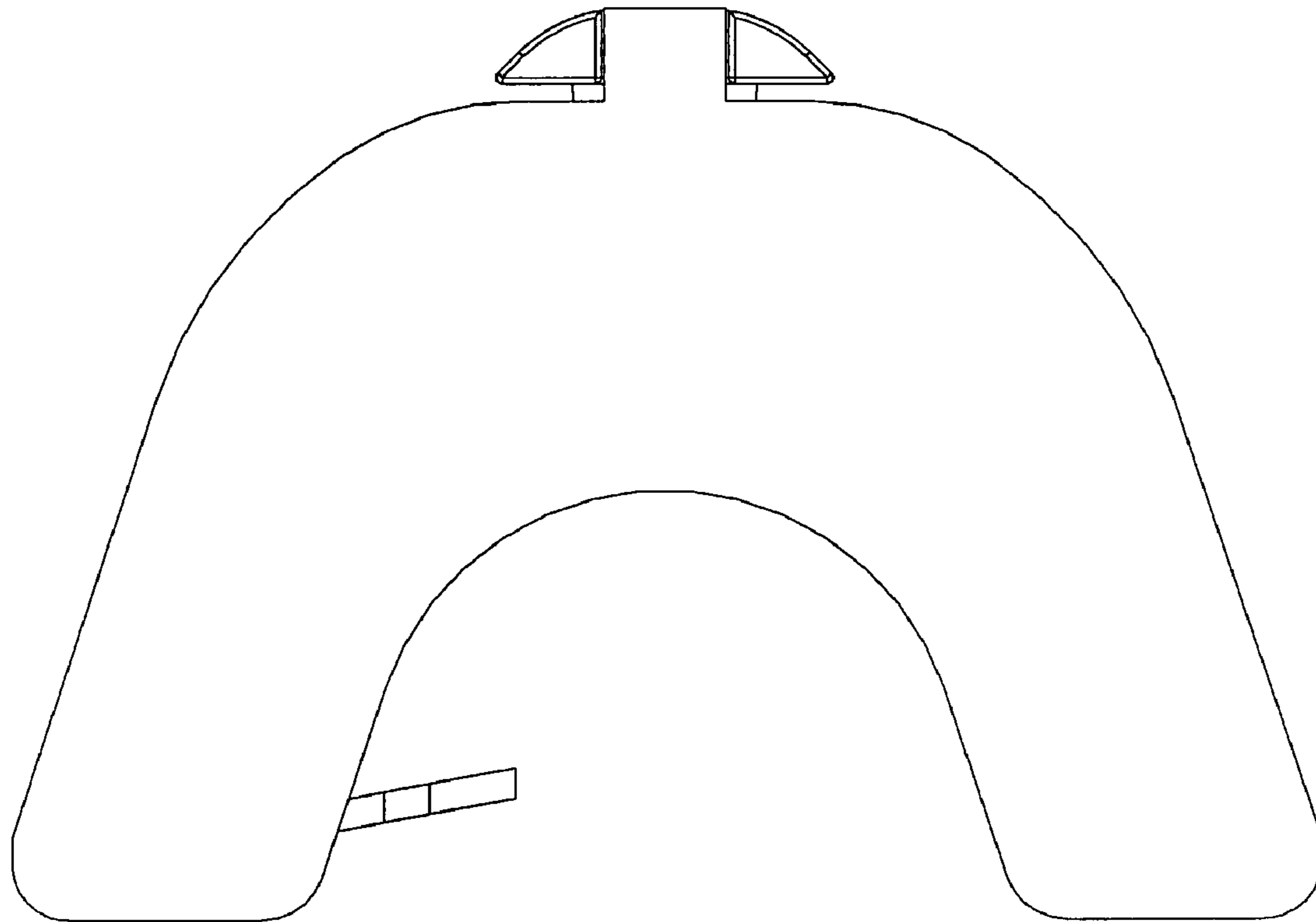


FIG. 4

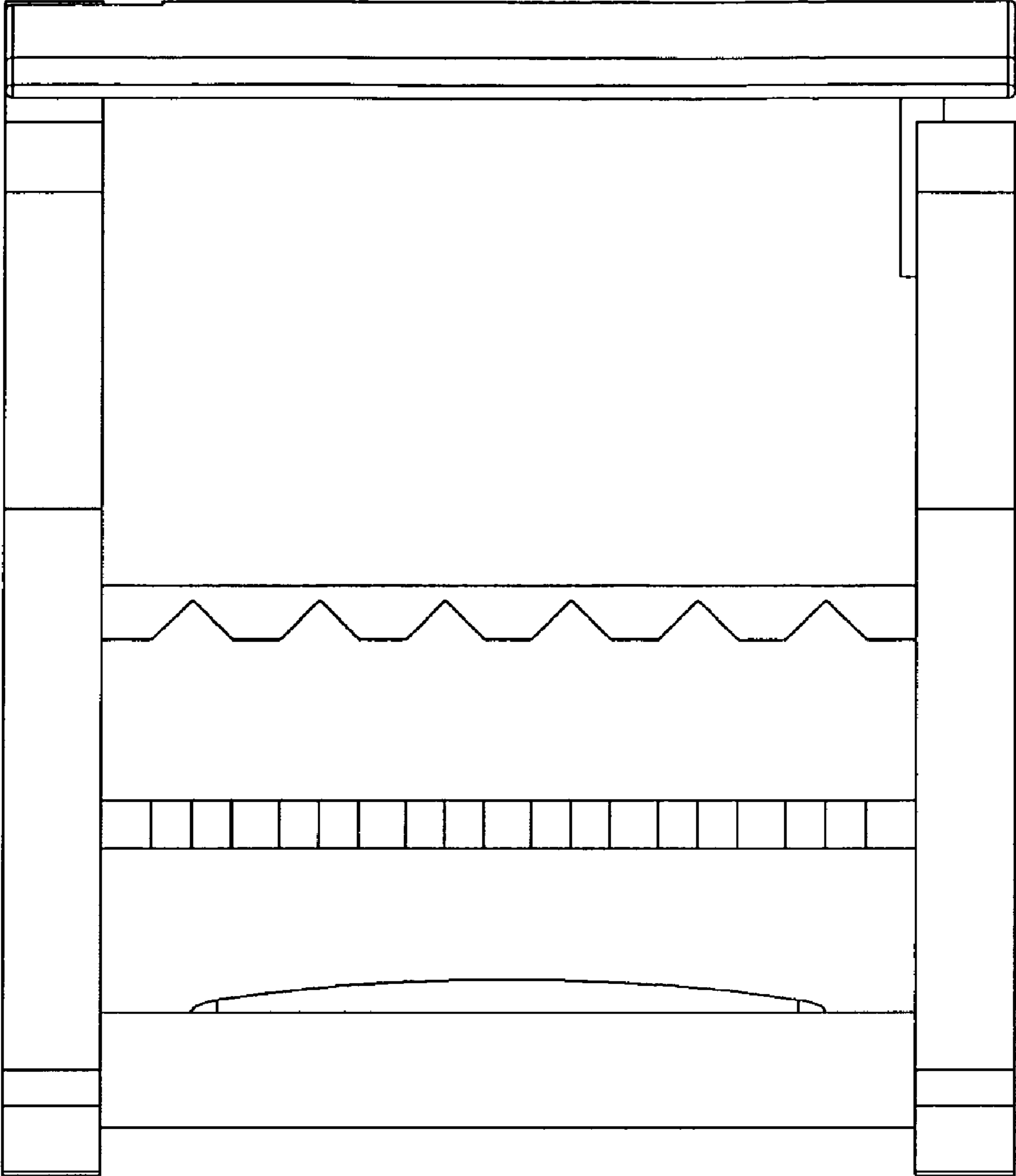


FIG. 5

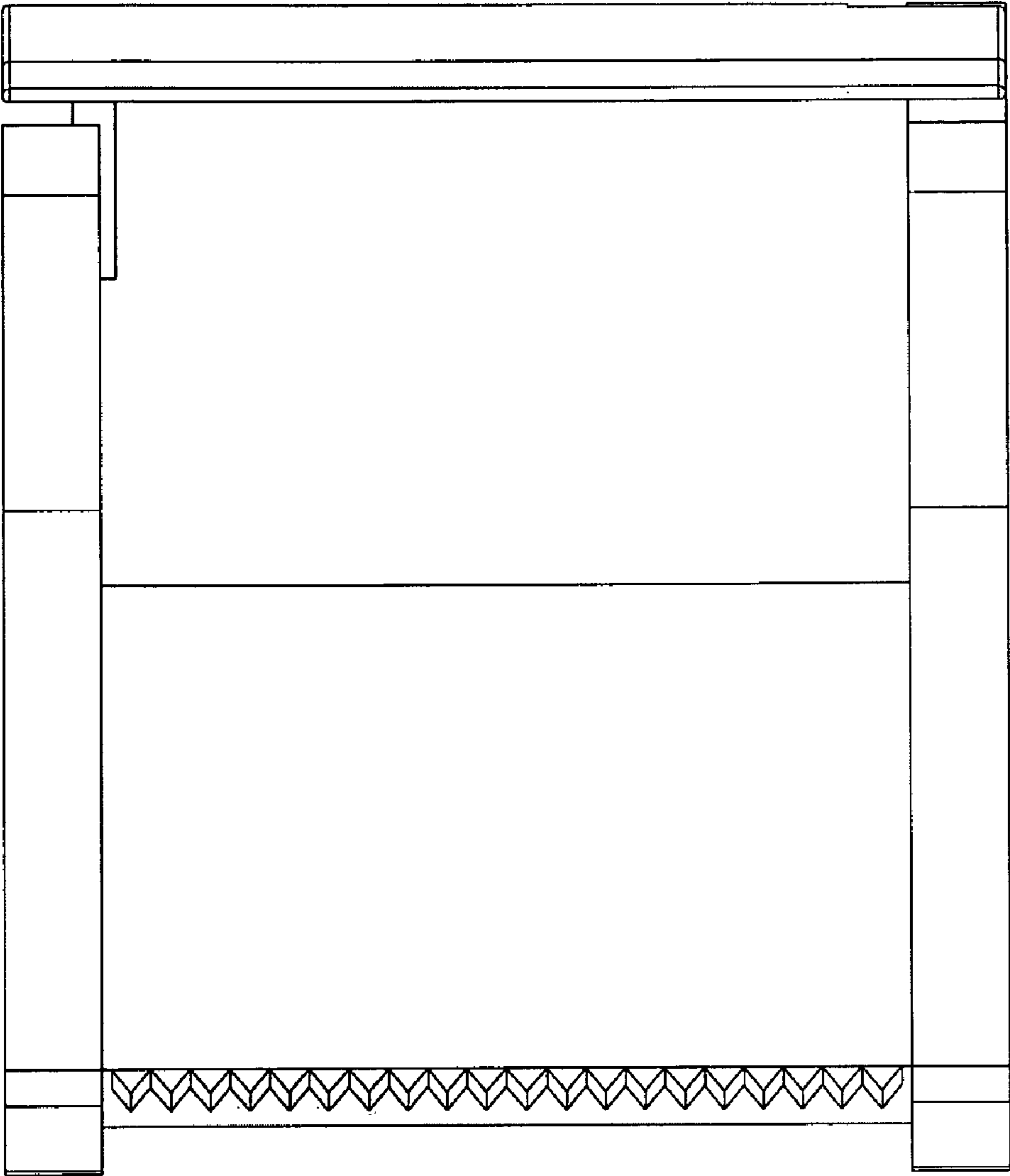


FIG. 6

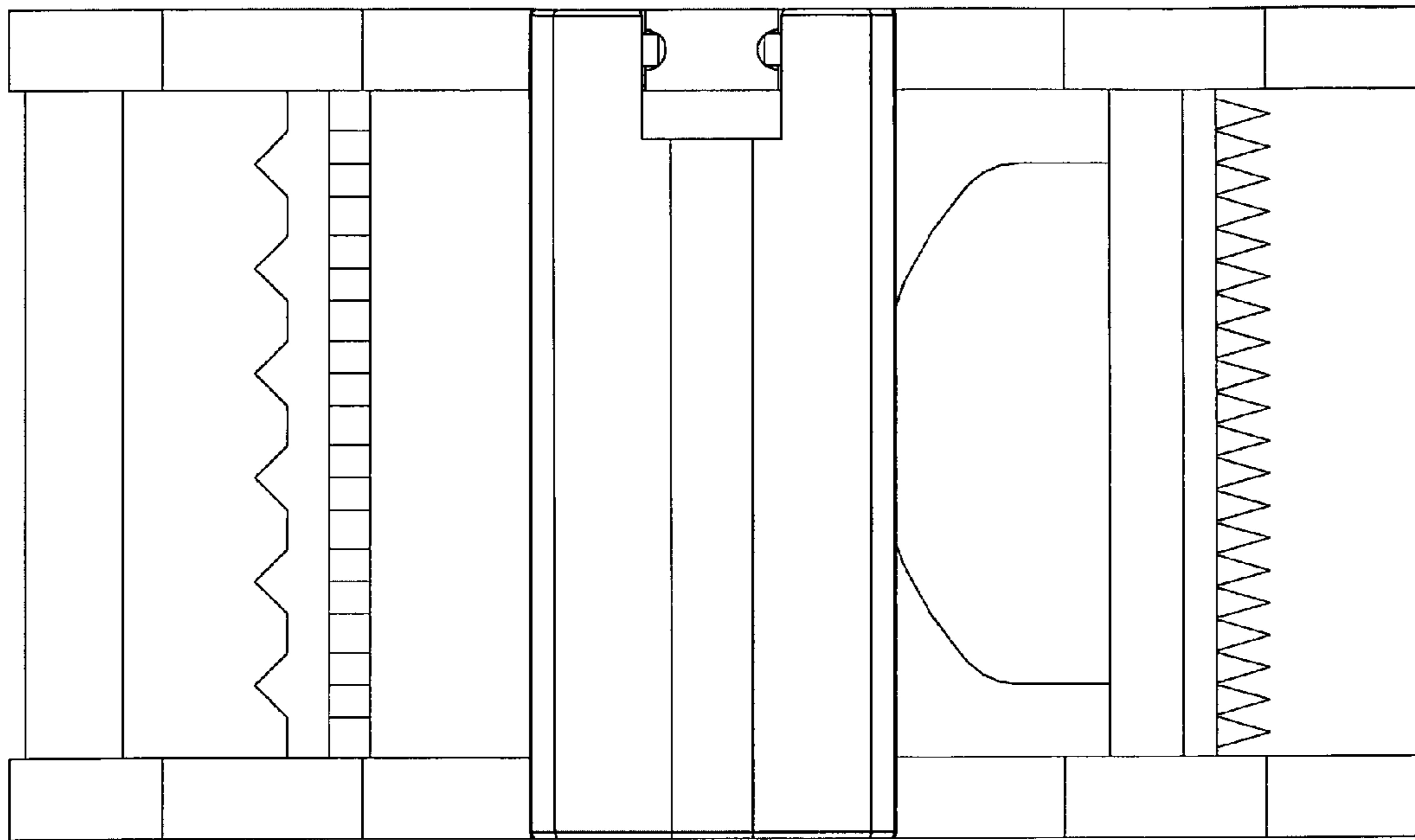


FIG 7

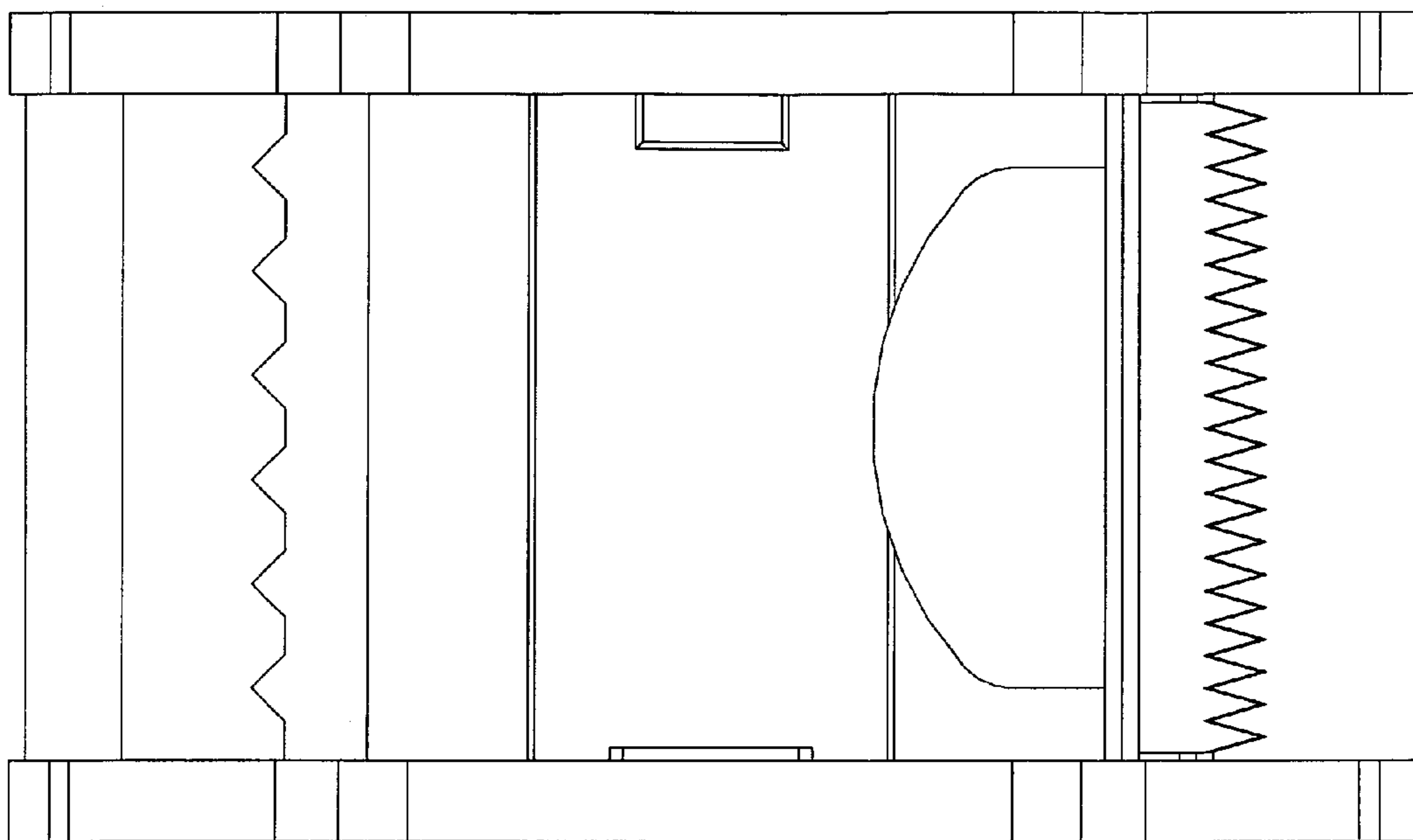


FIG. 8