



US00D646326S

(12) **United States Design Patent**
Koreska

(10) **Patent No.:** **US D646,326 S**
(45) **Date of Patent:** **** Oct. 4, 2011**

(54) **WRITING UTENSIL**

(75) Inventor: **Peter Koreska**, Vienna (AT)

(73) Assignee: **Kores Holding Zug AG**, Zug (CH)

(**) Term: **14 Years**

(21) Appl. No.: **29/367,384**

(22) Filed: **Aug. 6, 2010**

(30) **Foreign Application Priority Data**

Feb. 16, 2010 (EM) 001670795-0003

(51) **LOC (9) Cl.** **19-06**

(52) **U.S. Cl.** **D19/50**

(58) **Field of Classification Search** D19/35,
D19/36, 41-51, 54-58; 24/10 R, 11 CC,
24/11 F, 11 P, 11 PP, 11 R; 401/52, 99-114,
401/192, 193, 195-198
See application file for complete search history.

(56) **References Cited**

U.S. PATENT DOCUMENTS

- D131,281 S 2/1942 Bauer
- D137,496 S 3/1944 Lustig
- D161,826 S 2/1951 Ferber
- D162,213 S 2/1951 Nelson et al.
- D169,307 S 4/1953 Ferber
- D182,162 S 2/1958 Carreiro
- D188,972 S 10/1960 Young
- D220,070 S 3/1971 Iwasaki
- D258,596 S 3/1981 Massoni et al.
- D261,009 S 9/1981 Gomez
- D263,482 S 3/1982 Carre
- D270,843 S 10/1983 Itoh
- D279,115 S 6/1985 Nishida
- D317,625 S 6/1991 Itoh
- D322,460 S * 12/1991 Herbst et al. D19/50
- D324,068 S * 2/1992 Herbst et al. D19/50

- D342,089 S * 12/1993 Anavil et al. D19/49
- D342,090 S 12/1993 Anavil et al.
- D342,279 S 12/1993 Anavil et al.
- D345,759 S 4/1994 Poisson
- D352,064 S 11/1994 Zappacosta
- D358,167 S 5/1995 Herbst et al.
- D416,940 S 11/1999 Ito
- D447,173 S 8/2001 Yoon
- D451,137 S * 11/2001 Reichmann D19/36
- 6,592,279 B1 7/2003 Kagel
- D485,297 S * 1/2004 Reda et al. D19/36
- D530,745 S 10/2006 Kent et al.
- D533,592 S 12/2006 Cheng et al.
- D541,342 S 4/2007 Qiu

(Continued)

FOREIGN PATENT DOCUMENTS

EM 001049480-0001 12/2008

(Continued)

Primary Examiner — Elizabeth Albert

(74) *Attorney, Agent, or Firm* — Pillsbury Winthrop Shaw Pittman, LLP

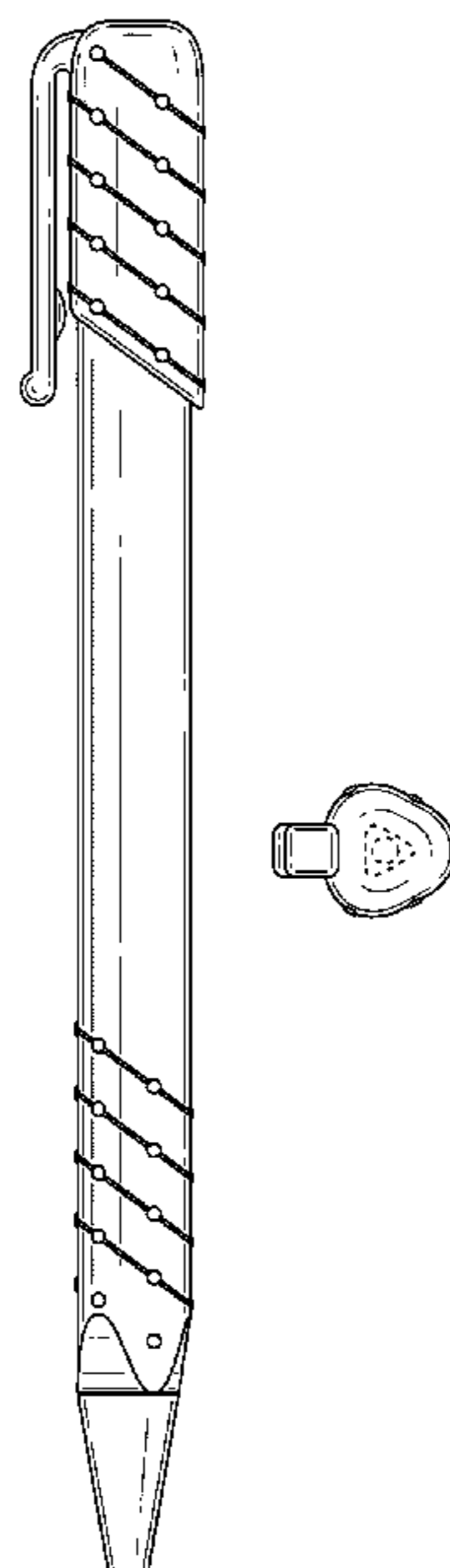
(57) **CLAIM**

The ornamental design for a writing utensil, as shown and described.

DESCRIPTION

FIG. 1 is a front view of a writing utensil;
FIG. 2 is a rear view of the writing utensil;
FIG. 3 is a right side view of the writing utensil;
FIG. 4 is a top plan view of the writing utensil; and,
FIG. 5 is a bottom plan view of the writing utensil.
The broken lines showing the features in the middle of the top and bottom in FIGS. 4 and 5 are included for the purpose of illustrating parts of the writing utensil that form no part of the claimed design.

1 Claim, 2 Drawing Sheets



US D646,326 S

Page 2

U.S. PATENT DOCUMENTS

D544,541 S * 6/2007 Li D19/43
D579,977 S 11/2008 Fei
D580,493 S 11/2008 Fei
D586,853 S 2/2009 Tan
D586,854 S 2/2009 Tan
D590,883 S 4/2009 Dong
D593,604 S * 6/2009 Yu et al. D19/47
D595,350 S 6/2009 Paz et al.
D598,953 S * 8/2009 Yu et al. D19/47

D608,393 S 1/2010 Koreska
D610,615 S * 2/2010 Li D19/48
D631,096 S * 1/2011 Mizutani D19/45
2005/0158115 A1 7/2005 Geddes

FOREIGN PATENT DOCUMENTS

EM 001049480-0002 12/2008
EM 001081509-0001 2/2009
WO DM/070042 3/2008

* cited by examiner

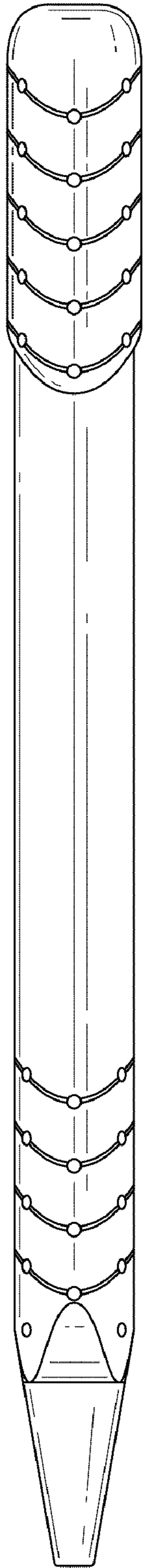


FIG. 1

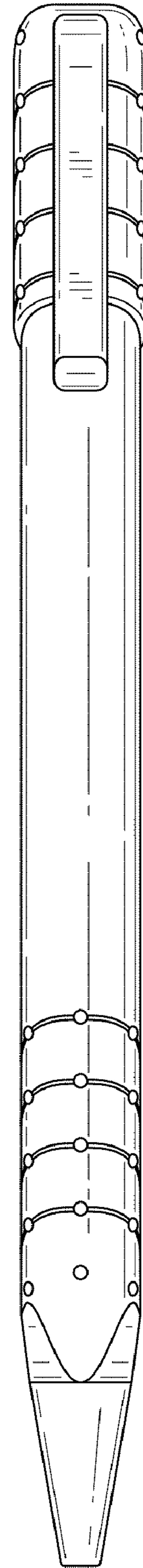


FIG. 2

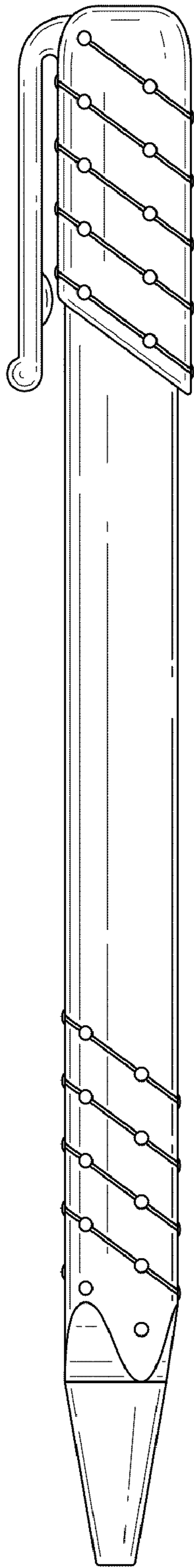


FIG. 3

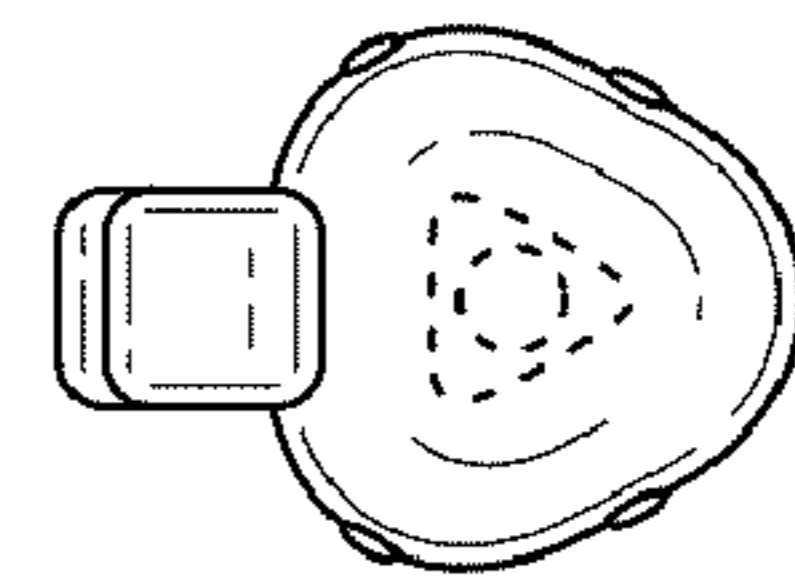


FIG. 4

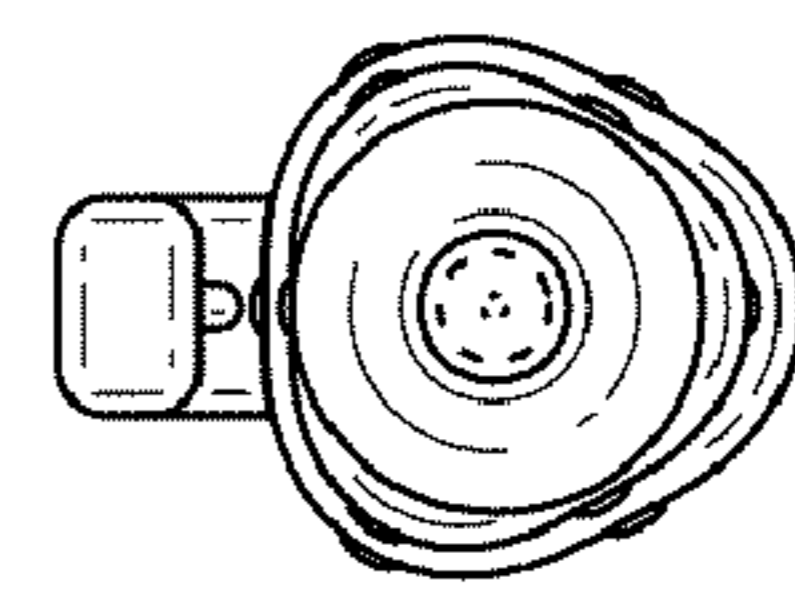


FIG. 5