



US00D646324S

(12) **United States Design Patent**
Chu

(10) **Patent No.:** **US D646,324 S**

(45) **Date of Patent:** **** Oct. 4, 2011**

(54) **PEN**

(75) **Inventor:** **Jiun-Yu Chu**, Taipei Hsien (TW)

(73) **Assignee:** **Taylor Brands, LLC**, Kingsport, TN (US)

(**) **Term:** **14 Years**

(21) **Appl. No.:** **29/379,430**

(22) **Filed:** **Nov. 19, 2010**

(51) **LOC (9) Cl.** **19-06**

(52) **U.S. Cl.** **D19/49**

(58) **Field of Classification Search** D19/35,
D19/36, 41-51, 54-58; 24/11 R, 11 F, 11 P;
401/52, 99, 100, 192, 195, 196; D14/411
See application file for complete search history.

(56) **References Cited**

U.S. PATENT DOCUMENTS

D160,670 S *	10/1950	Stern	D11/201
D265,212 S *	6/1982	Spiegel	D19/47
D325,045 S *	3/1992	Katami	D19/49
D332,637 S *	1/1993	Hesse	D19/48
D356,598 S *	3/1995	Thompson et al.	D19/49
D436,127 S *	1/2001	Hung	D19/43

D456,448 S *	4/2002	Chiu	D19/54
D472,923 S *	4/2003	Wang	D19/48
D495,364 S *	8/2004	Cetera	D19/51
D496,688 S *	9/2004	Nishida	D19/51
D571,400 S *	6/2008	Anand	D19/49
D579,978 S *	11/2008	Yu et al.	D19/48
D601,198 S *	9/2009	Kouda	D19/49
2004/0036194 A1 *	2/2004	Chadwick et al.	264/250

* cited by examiner

Primary Examiner — Elizabeth Albert

(74) *Attorney, Agent, or Firm* — Luedeka, Neely & Graham, PC

(57) **CLAIM**

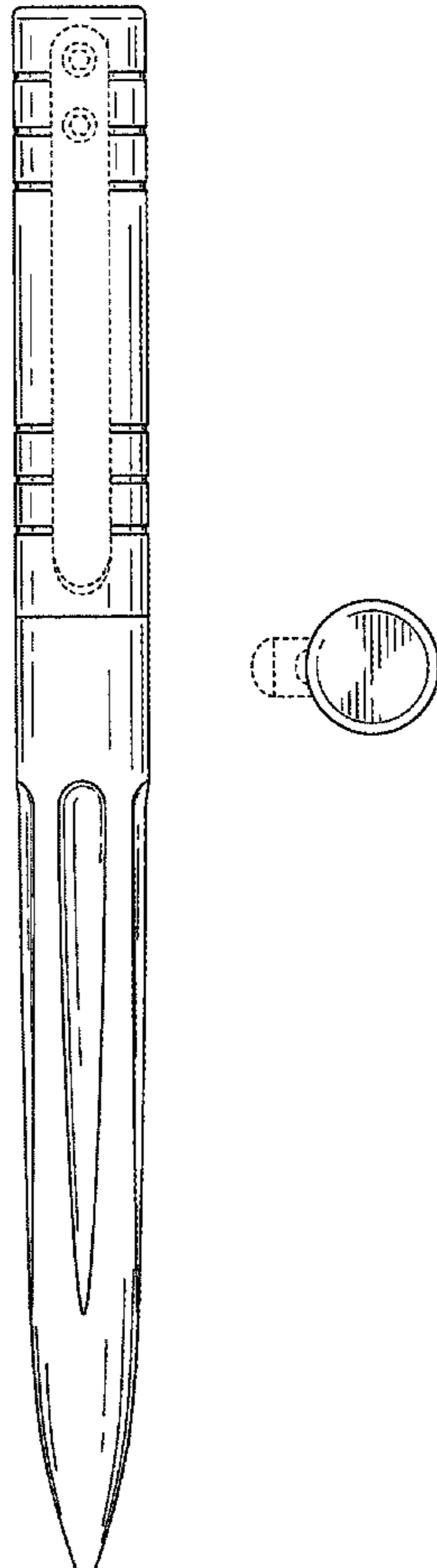
The ornamental design for a pen, as shown and described.

DESCRIPTION

FIG. 1 is a perspective view of a pen showing my new design; FIG. 2 is a front elevation view of the pen of FIG. 1; FIG. 3 is a rear elevation view of the pen of FIG. 1; FIG. 4 is a right side elevation view of the pen of FIG. 1; FIG. 5 is a left side elevation view of the pen of FIG. 1; FIG. 6 is a top plan view of the pen of FIG. 1; and, FIG. 7 is a bottom plan view of the pen of FIG. 1.

The broken lines in the drawings showing the clip in FIGS. 1, 2, and 4-7 are included for the purpose of illustrating an unclaimed feature that forms no part of the claimed design.

1 Claim, 6 Drawing Sheets



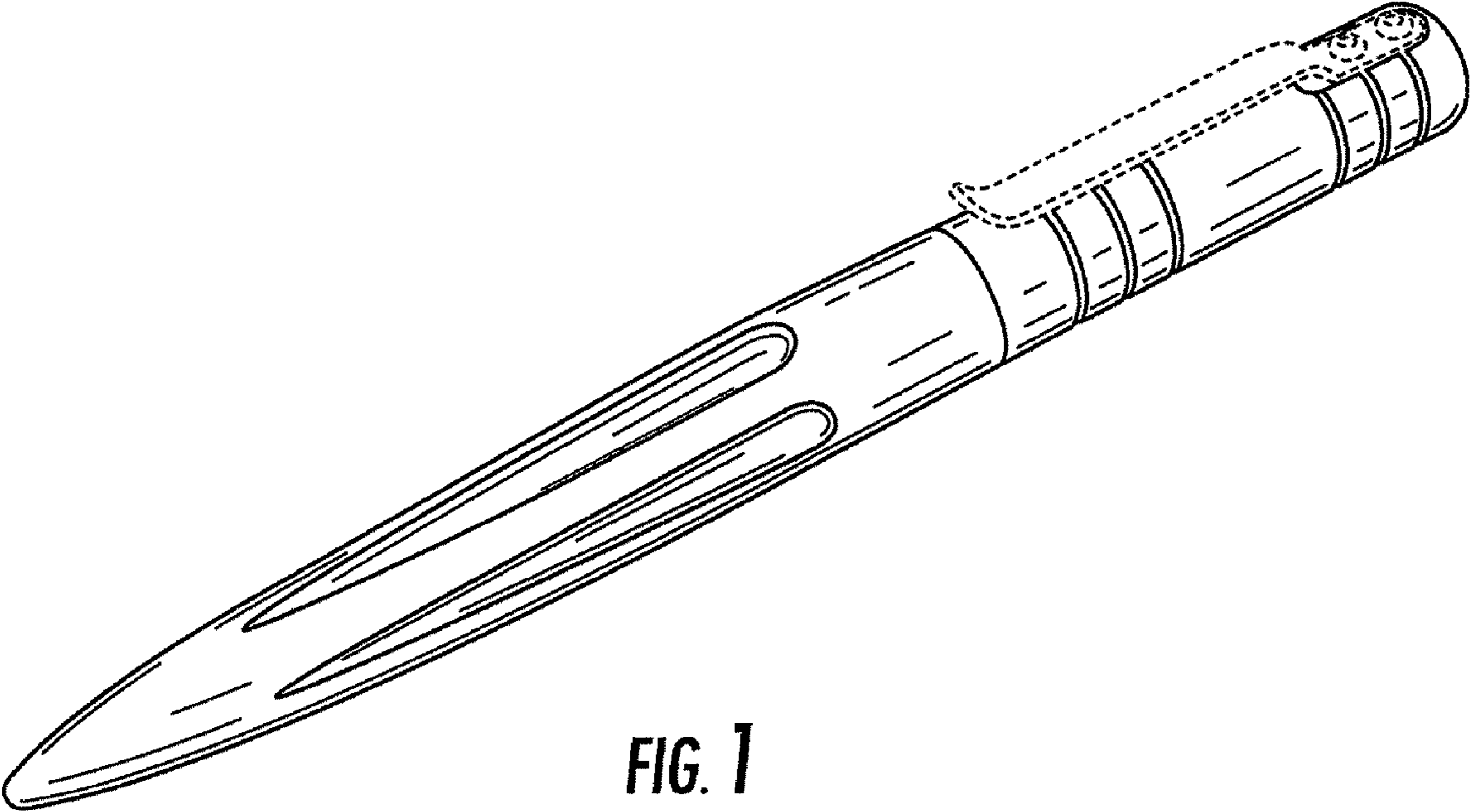


FIG. 1

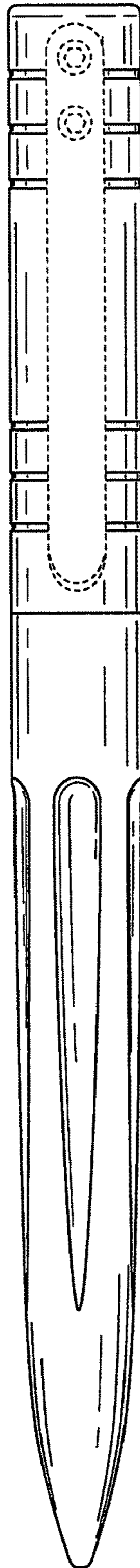


FIG. 2

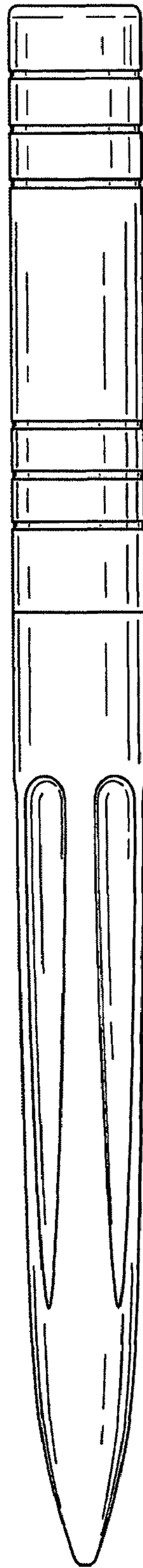


FIG. 3

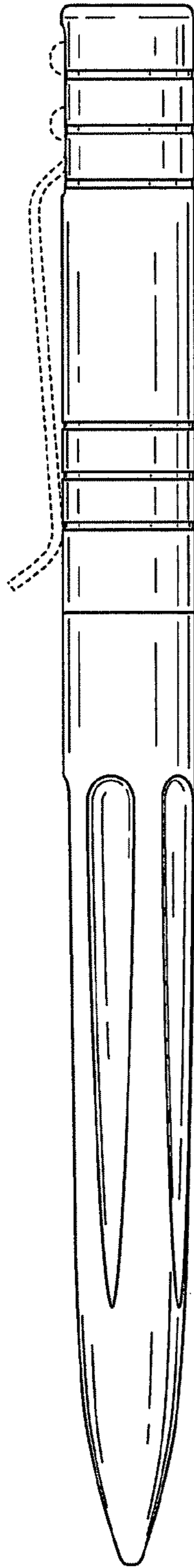


FIG. 4

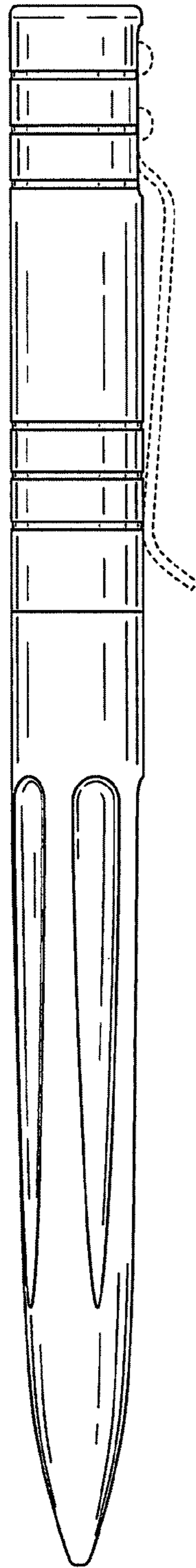


FIG. 5

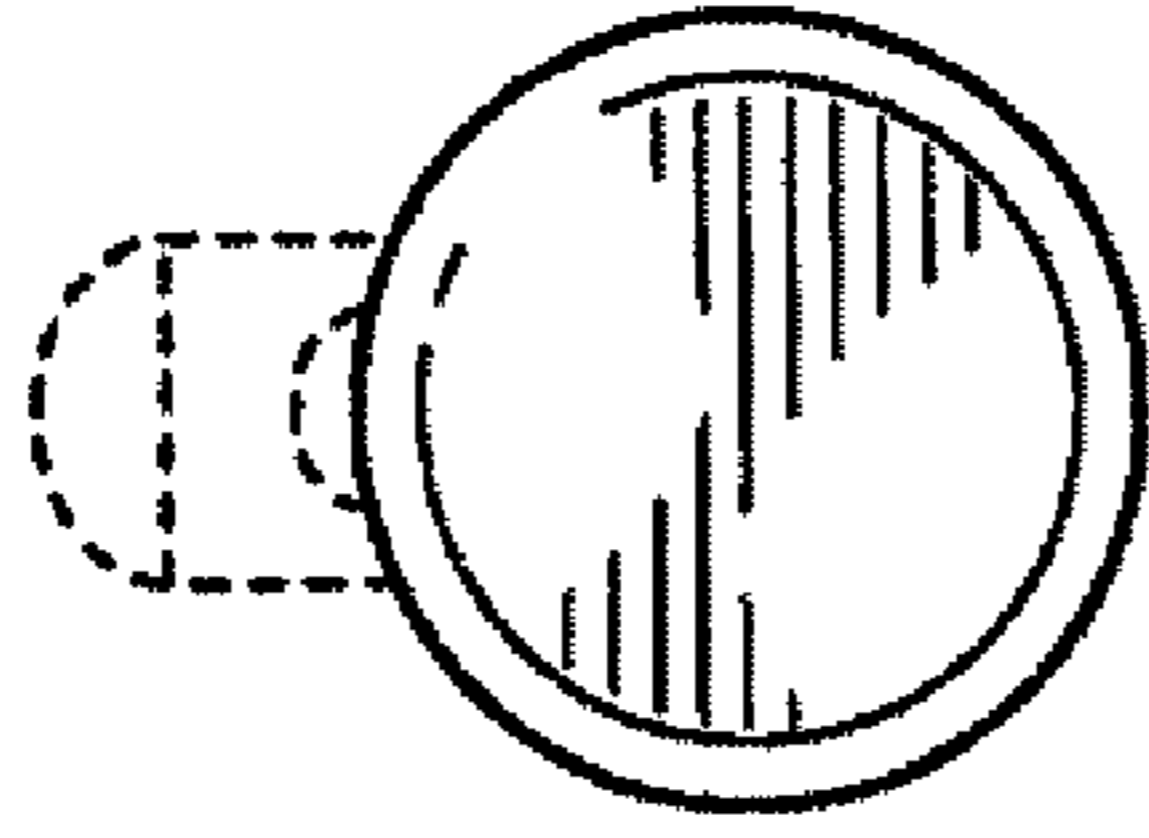


FIG. 6

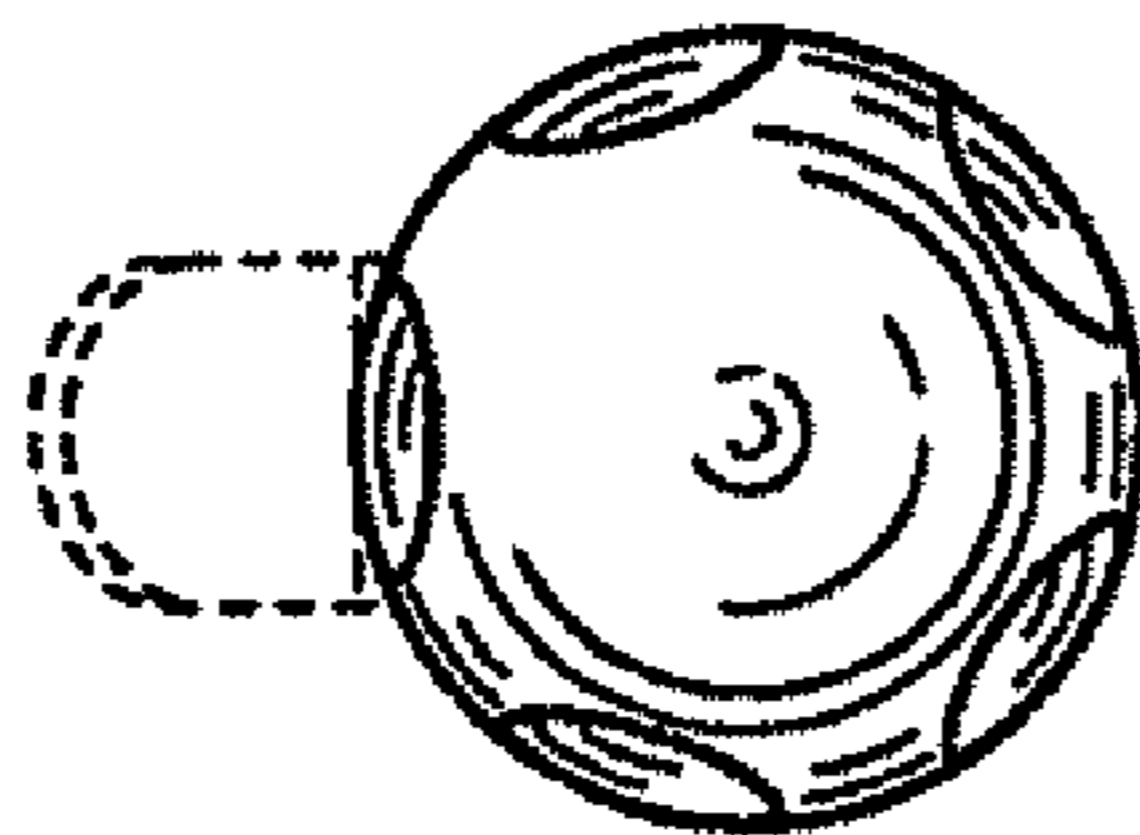


FIG. 7