



US00D646321S

(12) **United States Design Patent**
Wu et al.

(10) **Patent No.:** **US D646,321 S**

(45) **Date of Patent:** **** Oct. 4, 2011**

(54) **CHARACTER DISPLAY PANEL**

FOREIGN PATENT DOCUMENTS

(75) Inventors: **Wei-Ting Wu**, Tucheng (TW);
Wen-Chieh Huang, Tucheng (TW);
Yao-Wen Hsiao, Tucheng (TW)

JP	47-27425	10/1972
JP	52-153623	12/1977
JP	54-117082	8/1979
JP	64-23086	2/1989
JP	D1365597	7/2009

(73) Assignee: **Everlight Electronics Co., Ltd.**,
Tucheng, Taipei County (TW)

* cited by examiner

(**) Term: **14 Years**

Primary Examiner — Mary Ann Calabrese

(21) Appl. No.: **29/366,780**

(74) *Attorney, Agent, or Firm* — Thomas, Kayden,
Horstemeyer & Risley, LLP

(22) Filed: **Jul. 29, 2010**

(57) **CLAIM**

(51) **LOC (9) Cl.** **18-03**

The ornamental design for a character display panel, as shown and described.

(52) **U.S. Cl.** **D18/26**

(58) **Field of Classification Search** D18/24-33;

D20/12; 40/446-448, 450-452, 621; 101/396-399;

345/32, 33, 50; 362/84, 606, 812; 382/82

See application file for complete search history.

DESCRIPTION

(56) **References Cited**

FIG. 1 is a perspective view of a character display panel showing the claimed design;

FIG. 2 is a front elevational view thereof;

FIG. 3 is a left side elevational view thereof; the right side elevational view being a mirror image of FIG. 3;

FIG. 4 is a top plan view thereof; the bottom plan view being a mirror image of FIG. 4; and,

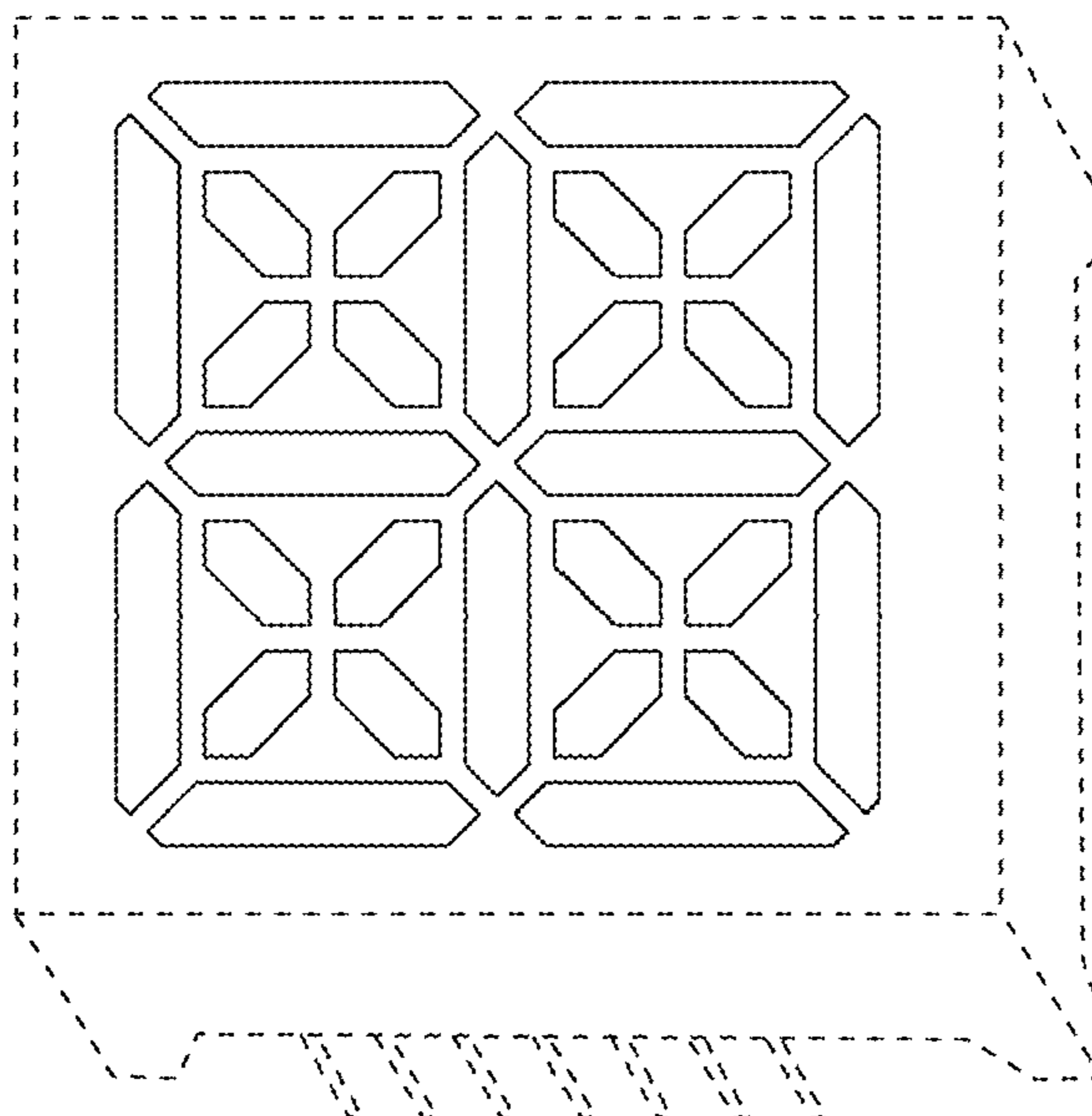
FIG. 5 is a perspective view of a character display panel including a plurality of display units in another embodiment showing the claimed design.

The broken lines are directed to environmental features and are for illustrative purpose only; the broken lines form no part of the claimed design.

U.S. PATENT DOCUMENTS

D118,059	S	*	12/1939	Shernov	D20/12
3,008,065	A	*	11/1961	Chamberlin	40/451
D198,606	S	*	7/1964	Dickson	D18/26
D198,607	S	*	7/1964	Dickson	D18/26
3,273,270	A	*	9/1966	Skrobisch	40/450
3,485,168	A	*	12/1969	Martinson	382/182
4,672,759	A	*	6/1987	Docherty et al.	40/450
D298,146	S	*	10/1988	Glover	D20/12
6,212,807	B1	*	4/2001	Wright	40/450
6,829,852	B1	*	12/2004	Uehran	40/451
7,468,710	B2	*	12/2008	Nakaoka	345/32
7,845,839	B2	*	12/2010	Collier	362/606
2009/0168398	A1	*	7/2009	Collier	362/84

1 Claim, 4 Drawing Sheets



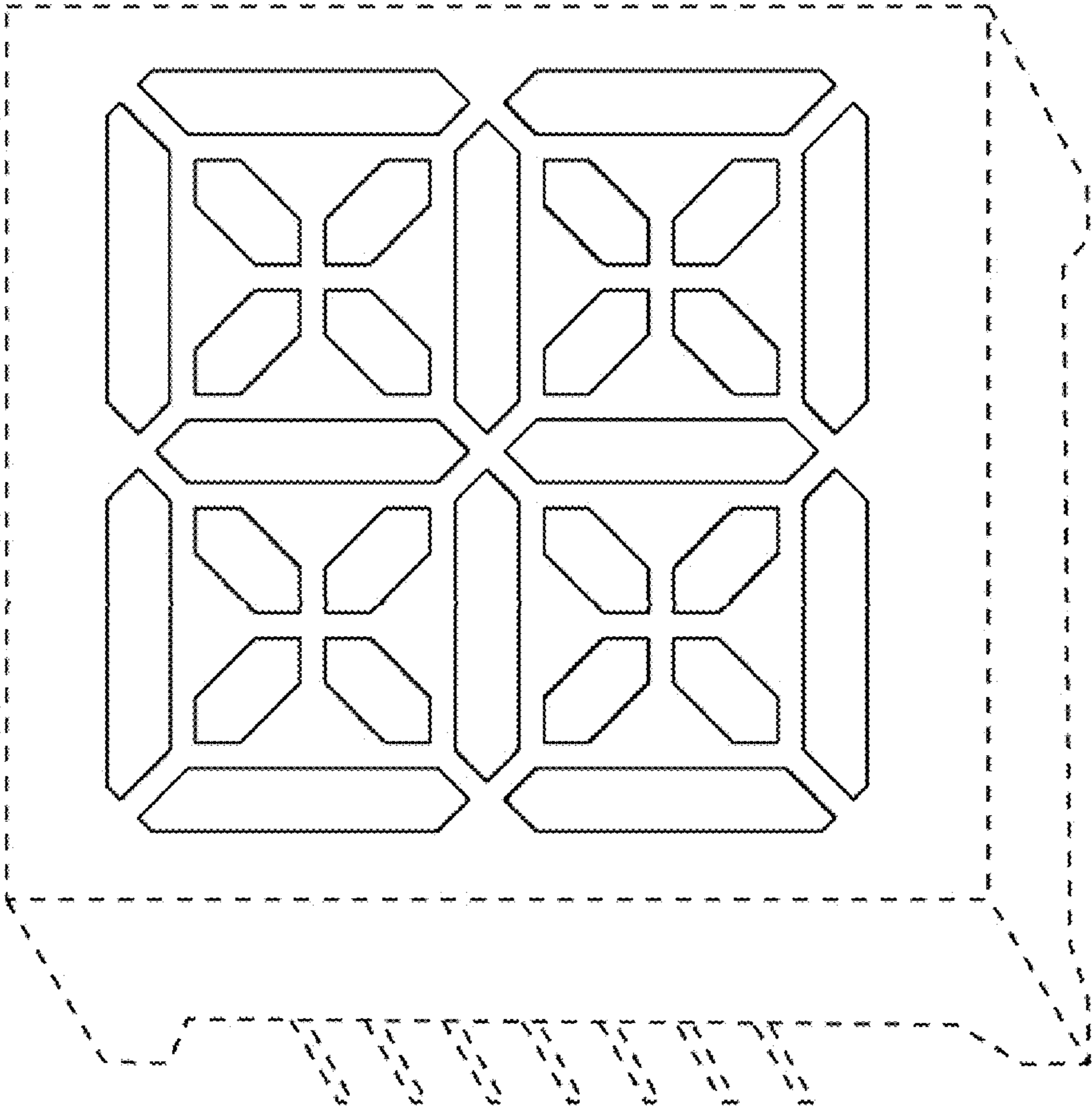


FIG. 1

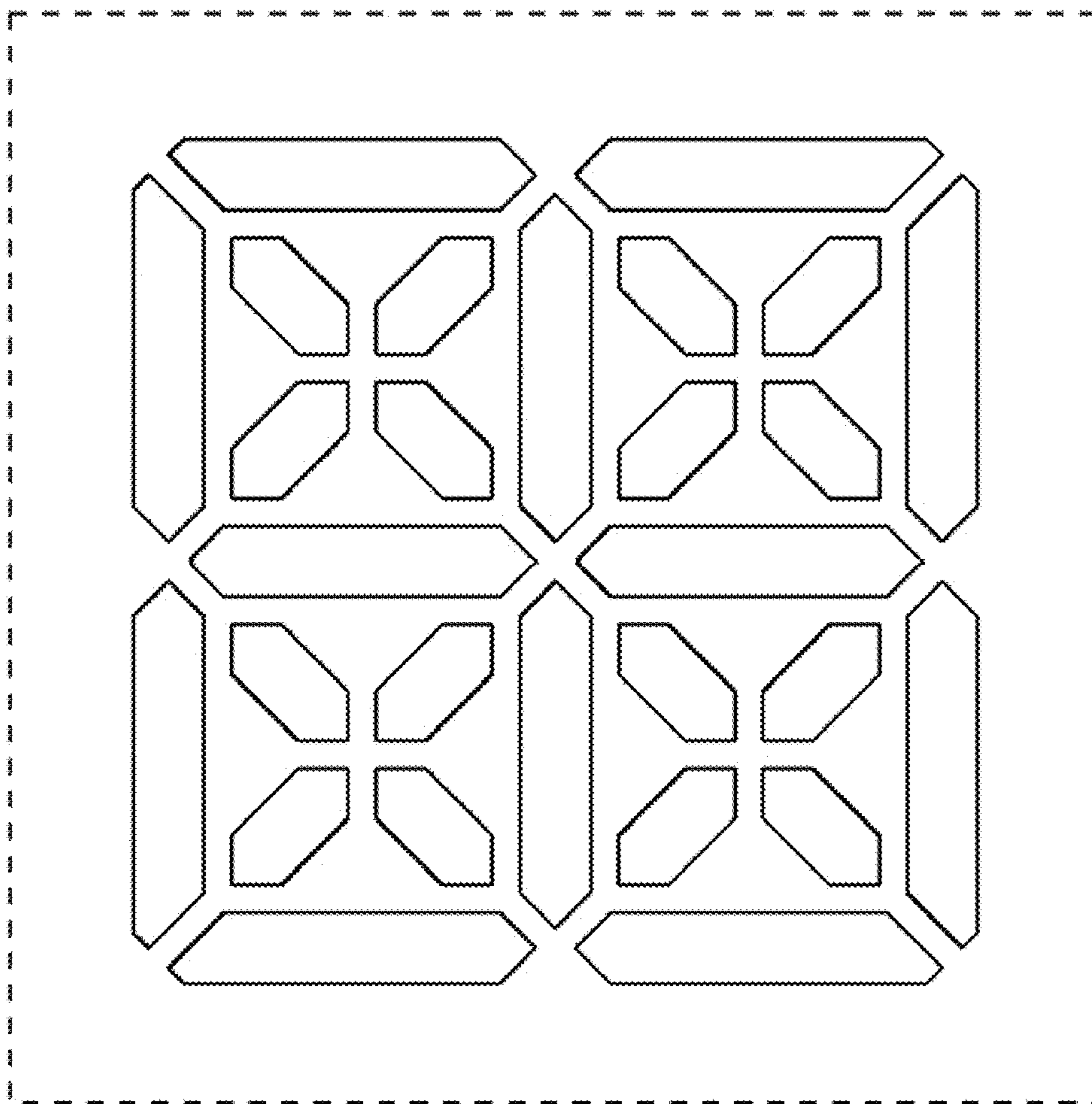


FIG. 2

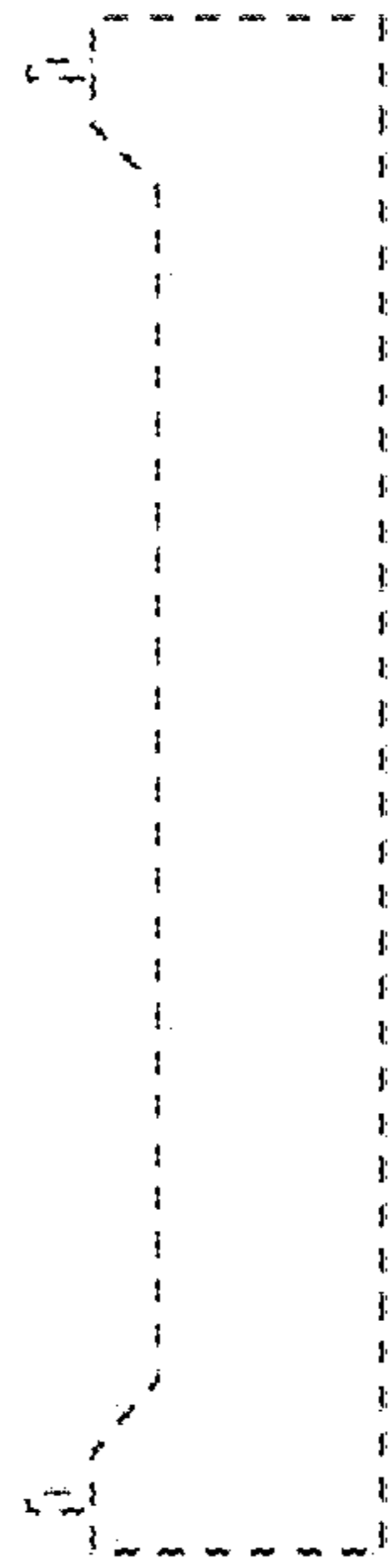


FIG.3



FIG.4

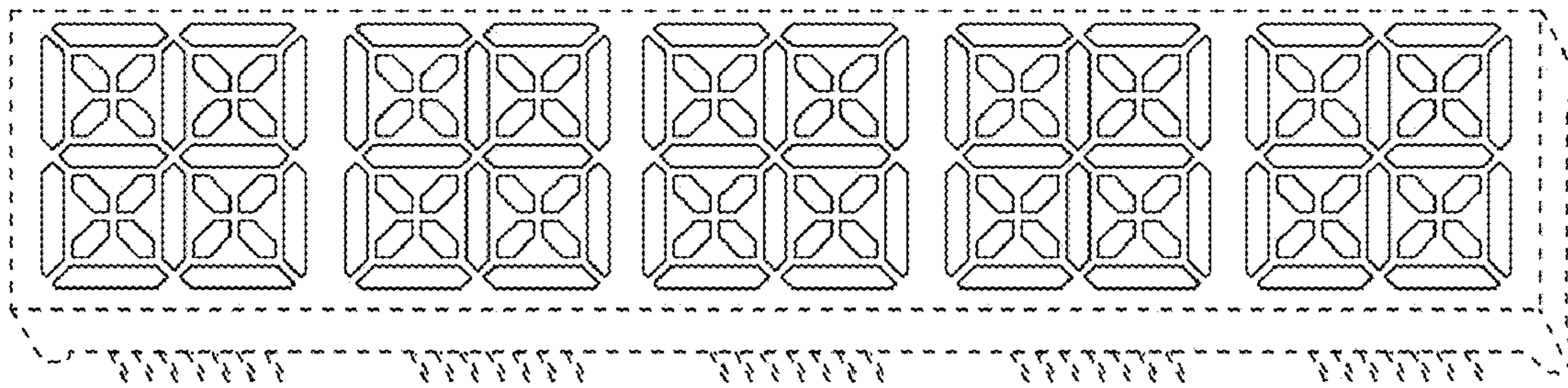


FIG.5