



US00D646315S

(12) **United States Design Patent**
Orf

(10) **Patent No.:** **US D646,315 S**

(45) **Date of Patent:** **** Oct. 4, 2011**

(54) **ELECTRONIC PRODUCT HOLDER**

(75) Inventor: **Hans Robert Orf**, Simi Valley, CA (US)

(73) Assignee: **The Tiffen Company LLC**, Hauppauge, NY (US)

(**) Term: **14 Years**

(21) Appl. No.: **29/350,024**

(22) Filed: **Nov. 10, 2009**

(51) **LOC (9) Cl.** **16-05**

(52) **U.S. Cl.** **D16/242; D14/263; D14/447**

(58) **Field of Classification Search** D14/356-358,
D14/383-385, 420, 426, 427, 432-439, 447,
D14/453, 454, 217, 253, 299; D13/107,
D13/108, 133, 146, 147, 152, 154, 156, 158,
D13/162, 162.1, 168, 173, 177; D16/242-245,
D16/237; D10/74; 396/419, 424, 428; 248/163.1,
248/177.1, 178.1, 183.1

See application file for complete search history.

(56) **References Cited**

U.S. PATENT DOCUMENTS

D323,085	S	*	1/1992	Konkel	D6/466
5,187,744	A	*	2/1993	Richter	379/449
5,697,071	A	*	12/1997	Fan	455/575.9
D391,266	S	*	2/1998	Richter	D14/253
D406,592	S	*	3/1999	Richter	D14/253
D407,408	S	*	3/1999	Hoff	D14/253
D411,543	S	*	6/1999	Richter	D14/253
D411,544	S	*	6/1999	Richter	D14/253
D417,224	S	*	11/1999	Kfoury	D14/253
6,427,959	B1	*	8/2002	Kalis et al.	248/288.11
D470,146	S	*	2/2003	Tan et al.	D14/432
D480,730	S	*	10/2003	Doherty et al.	D14/447
D499,093	S	*	11/2004	Chen	D14/253
D508,605	S	*	8/2005	Hwang et al.	D3/218
D517,310	S	*	3/2006	Aron et al.	D3/218
D529,489	S	*	10/2006	Sbordon, Jr.	D14/253

D536,360	S	*	2/2007	Dayan	D16/242
7,226,026	B2	*	6/2007	Lin	248/205.5
D549,709	S	*	8/2007	Richter	D14/447
D564,220	S	*	3/2008	Dixon	D3/218
D566,590	S	*	4/2008	Stevens et al.	D10/74
D585,897	S	*	2/2009	Carnevali	D14/434
D592,188	S	*	5/2009	Huang	D14/217
D592,205	S	*	5/2009	O'Brien	D14/253
D602,913	S	*	10/2009	Han et al.	D14/217
D603,322	S	*	11/2009	Nicieja	D12/415
D614,613	S	*	4/2010	Kim et al.	D14/253
D626,541	S	*	11/2010	Kim et al.	D14/253
2005/0122424	A1	*	6/2005	Overstreet	348/373
2007/0080267	A1	*	4/2007	Richter	248/160
2007/0131825	A1	*	6/2007	Skrodzki	248/177.1
2009/0045303	A1	*	2/2009	Andkjar	248/178.1
2010/0172642	A1	*	7/2010	Orf et al.	396/421
2011/0019992	A1	*	1/2011	Orf	396/419

* cited by examiner

Primary Examiner — Cathron C. Brooks

Assistant Examiner — Deanna Fluegeman

(74) *Attorney, Agent, or Firm* — Kirschstein, et al.

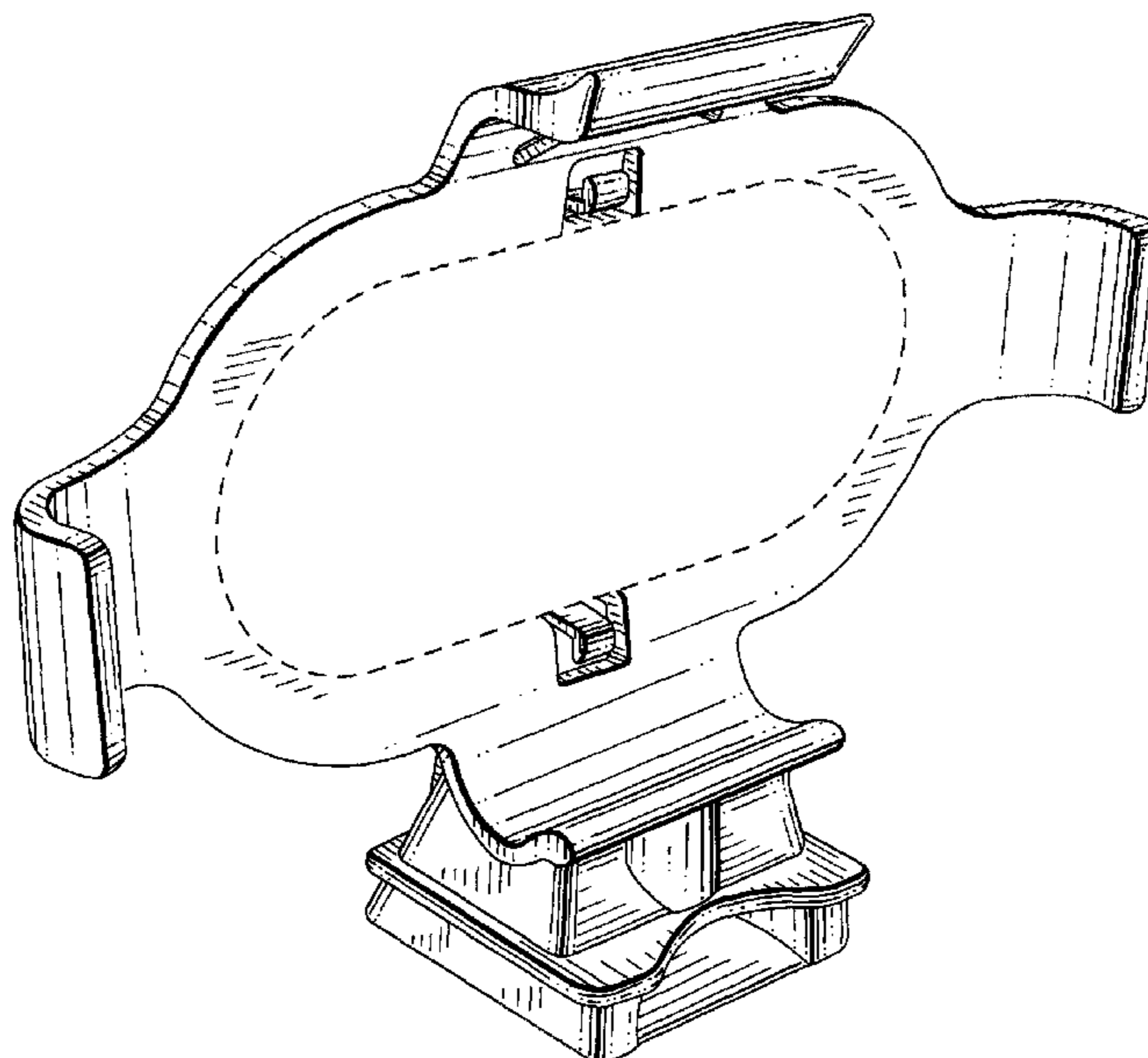
(57) **CLAIM**

The ornamental design for an electronic product holder, as shown and described.

DESCRIPTION

FIG. 1 is a perspective view of an electronic product holder according to my new design;
FIG. 2 is a front elevational view thereof;
FIG. 3 is a top plan view thereof;
FIG. 4 is a side elevational view thereof; the opposite side being a mirror image;
FIG. 5 is a rear elevational view thereof; and,
FIG. 6 is a bottom plan view thereof.
The broken lines in the drawings illustrate unclaimed environment and form no part of the claimed design.

1 Claim, 3 Drawing Sheets



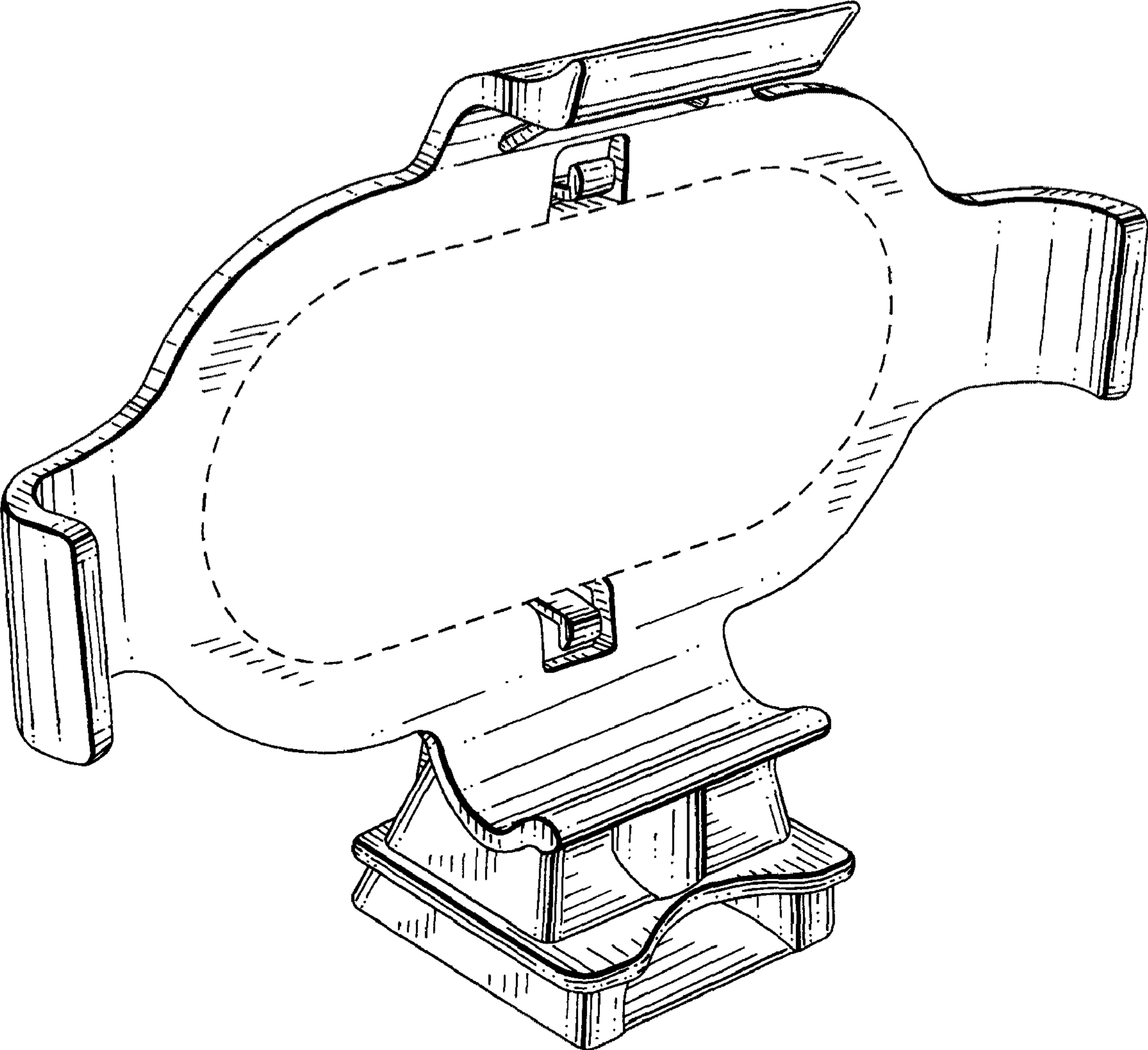


FIG. 1

FIG. 2

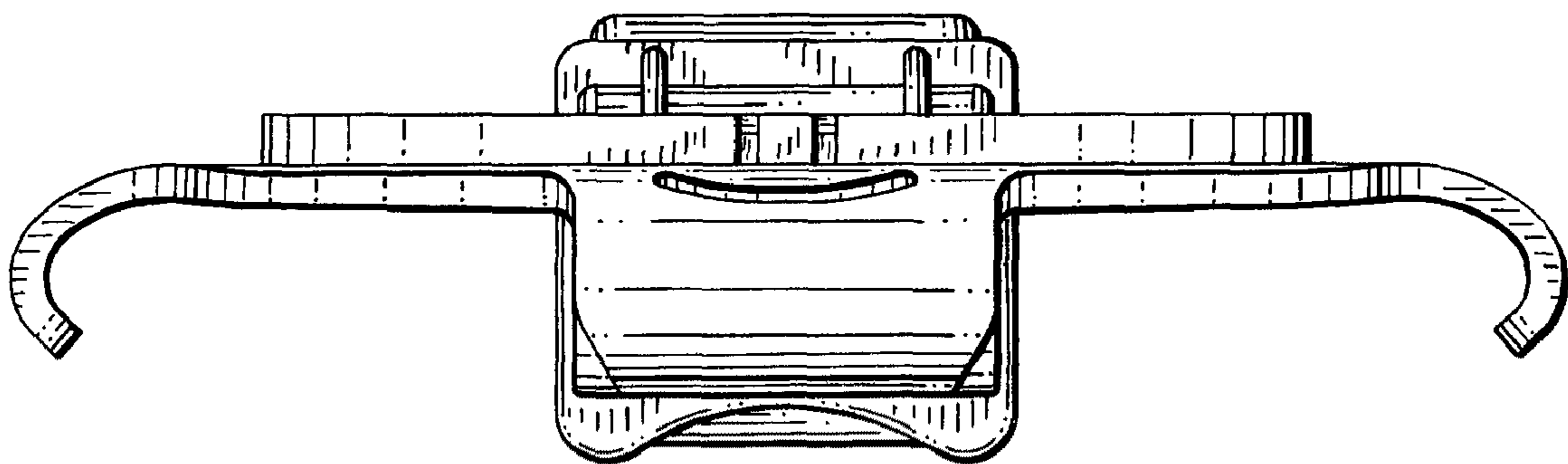
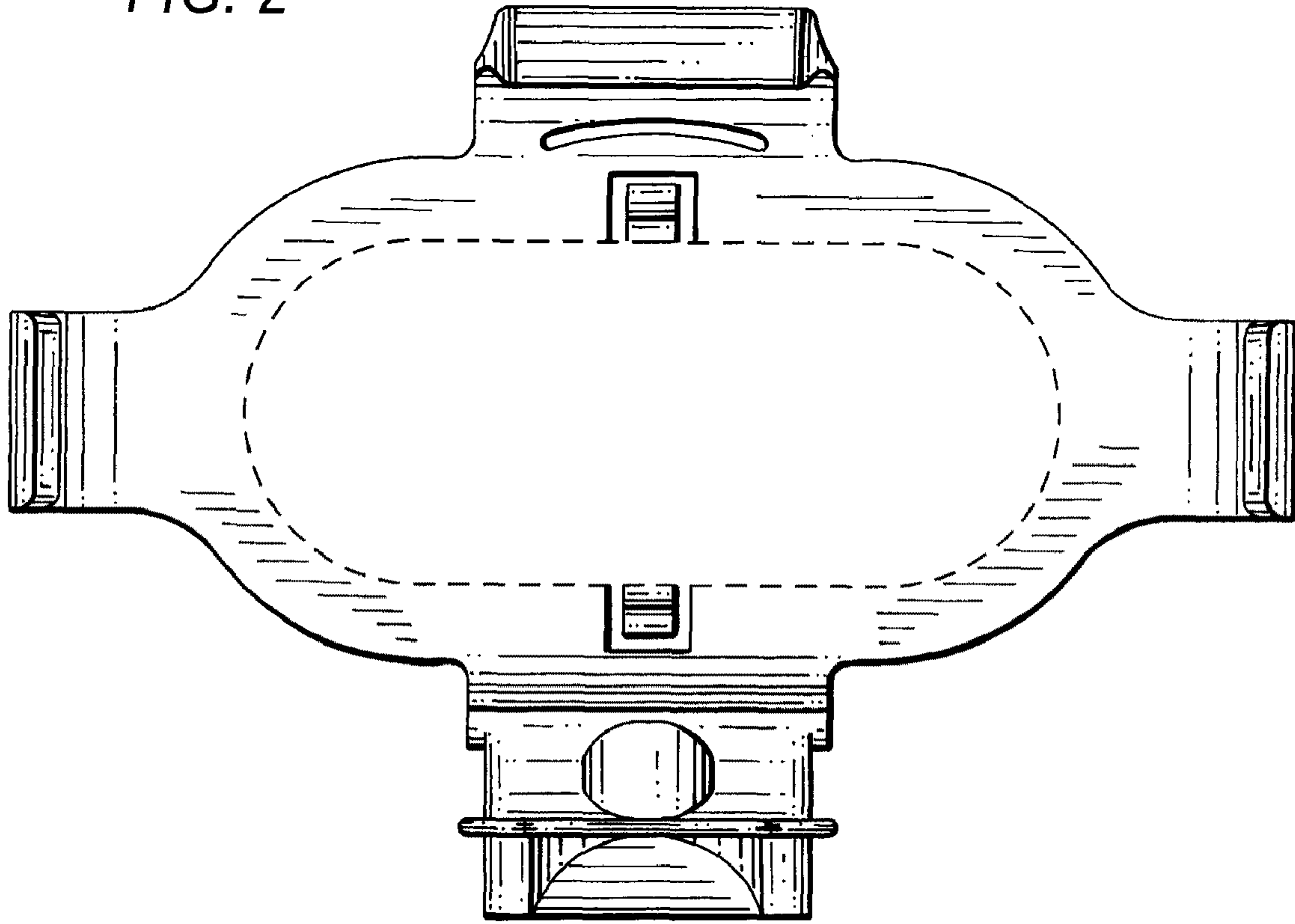


FIG. 3

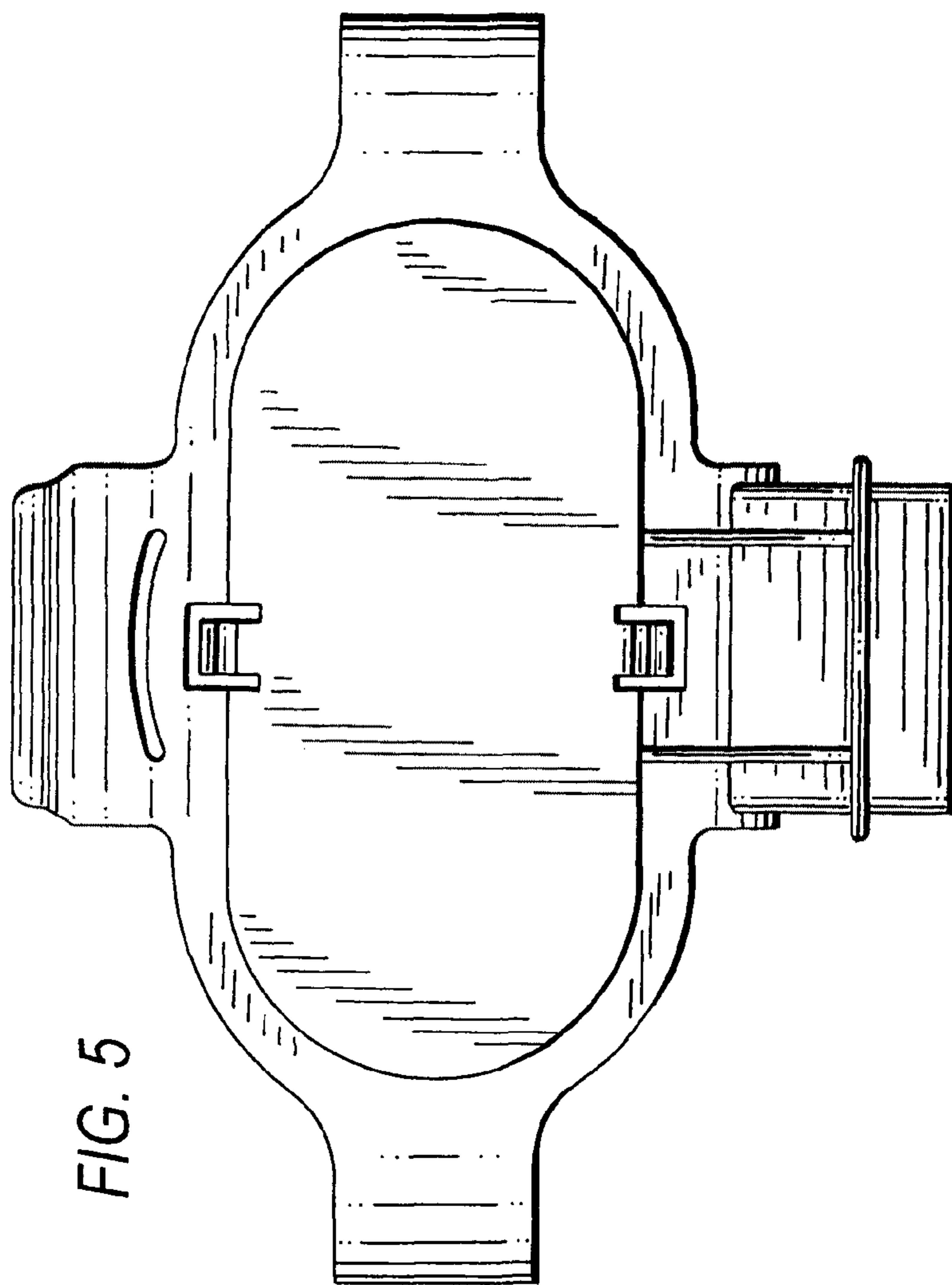


FIG. 5

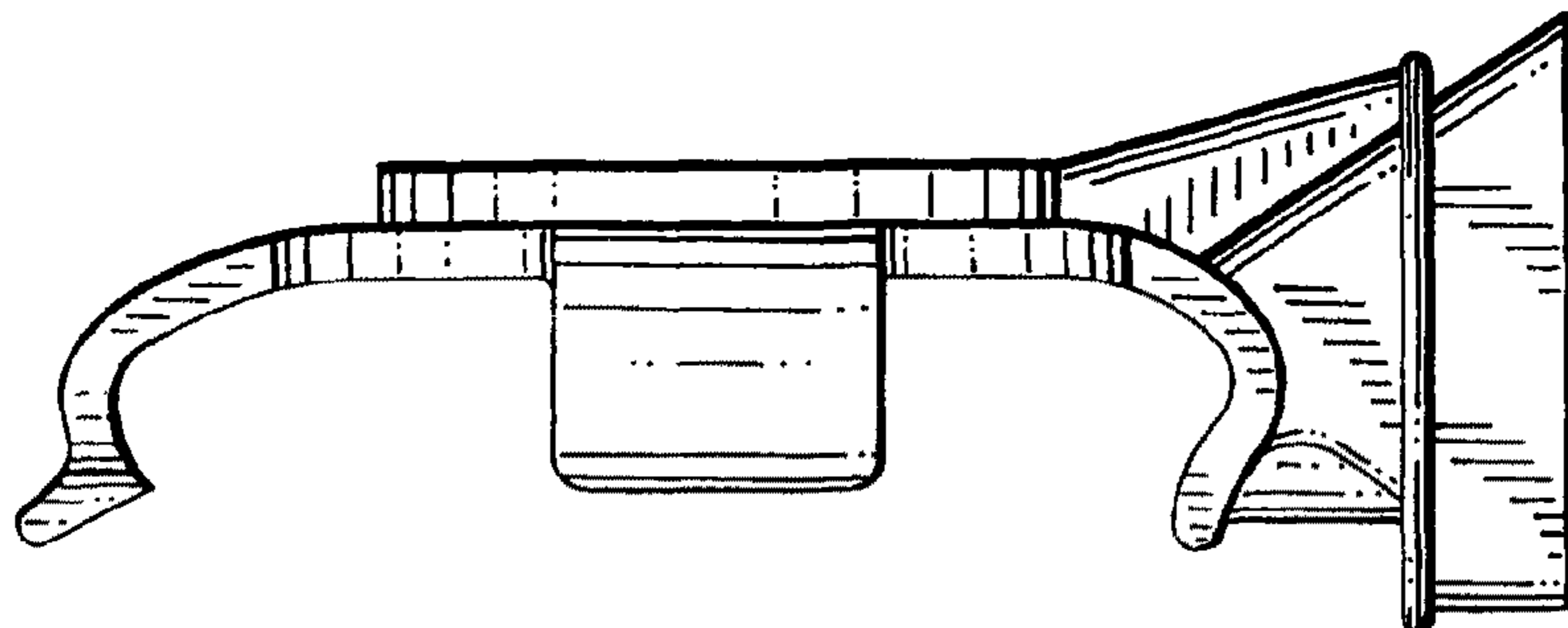


FIG. 4

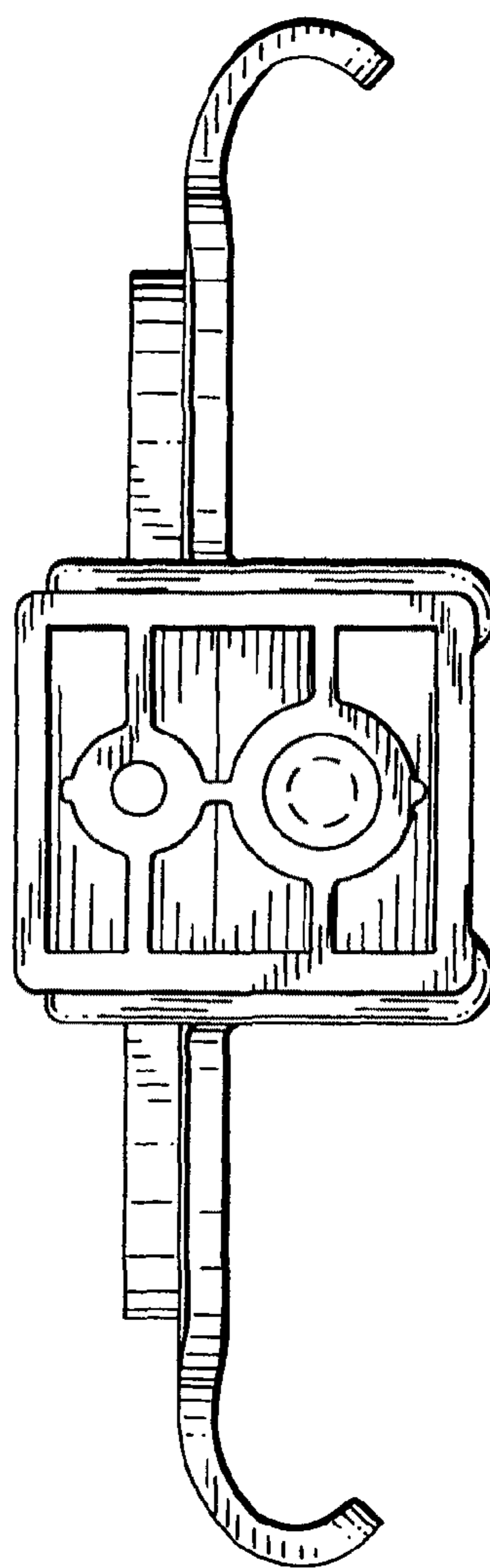


FIG. 6