



US00D646314S

(12) **United States Design Patent**
Nohara

(10) **Patent No.:** **US D646,314 S**

(45) **Date of Patent:** **** Oct. 4, 2011**

(54) **DIGITAL CAMERA**

(75) Inventor: **Takeshi Nohara**, Hachioji (JP)

(73) Assignee: **Olympus Imaging Corp**, Tokyo (JP)

(**) Term: **14 Years**

(21) Appl. No.: **29/384,222**

(22) Filed: **Jan. 28, 2011**

(30) **Foreign Application Priority Data**

Dec. 22, 2010 (JP) 2010-030638

(51) **LOC (9) Cl.** **16-01**

(52) **U.S. Cl.** **D16/202**

(58) **Field of Classification Search** D16/200-204,
D16/208, 218; 348/373-376; 358/909.1;
396/176, 178, 535, 540, 541

See application file for complete search history.

(56) **References Cited**

U.S. PATENT DOCUMENTS

D456,430 S * 4/2002 Kobayashi et al. D16/202
6,909,847 B2 * 6/2005 Ujikane et al. 396/178
D528,579 S * 9/2006 Yasutomi D16/202
D538,831 S * 3/2007 Watarai D16/206

D555,689 S * 11/2007 Yoo et al. D16/202
D574,869 S * 8/2008 Baba et al. D16/202
D576,192 S * 9/2008 Isozaki D16/202
7,643,085 B2 * 1/2010 Saiki et al. 348/373
D611,517 S * 3/2010 Yamauchi D16/202

OTHER PUBLICATIONS

Related U.S. Appl. No. 29/391,997; Title: "Digital Camera"; Inventor: Koji Sakai; Filed: May 16, 2011.

* cited by examiner

Primary Examiner — Adir Aronovich

(74) *Attorney, Agent, or Firm* — Holtz, Holtz, Goodman & Chick, PC

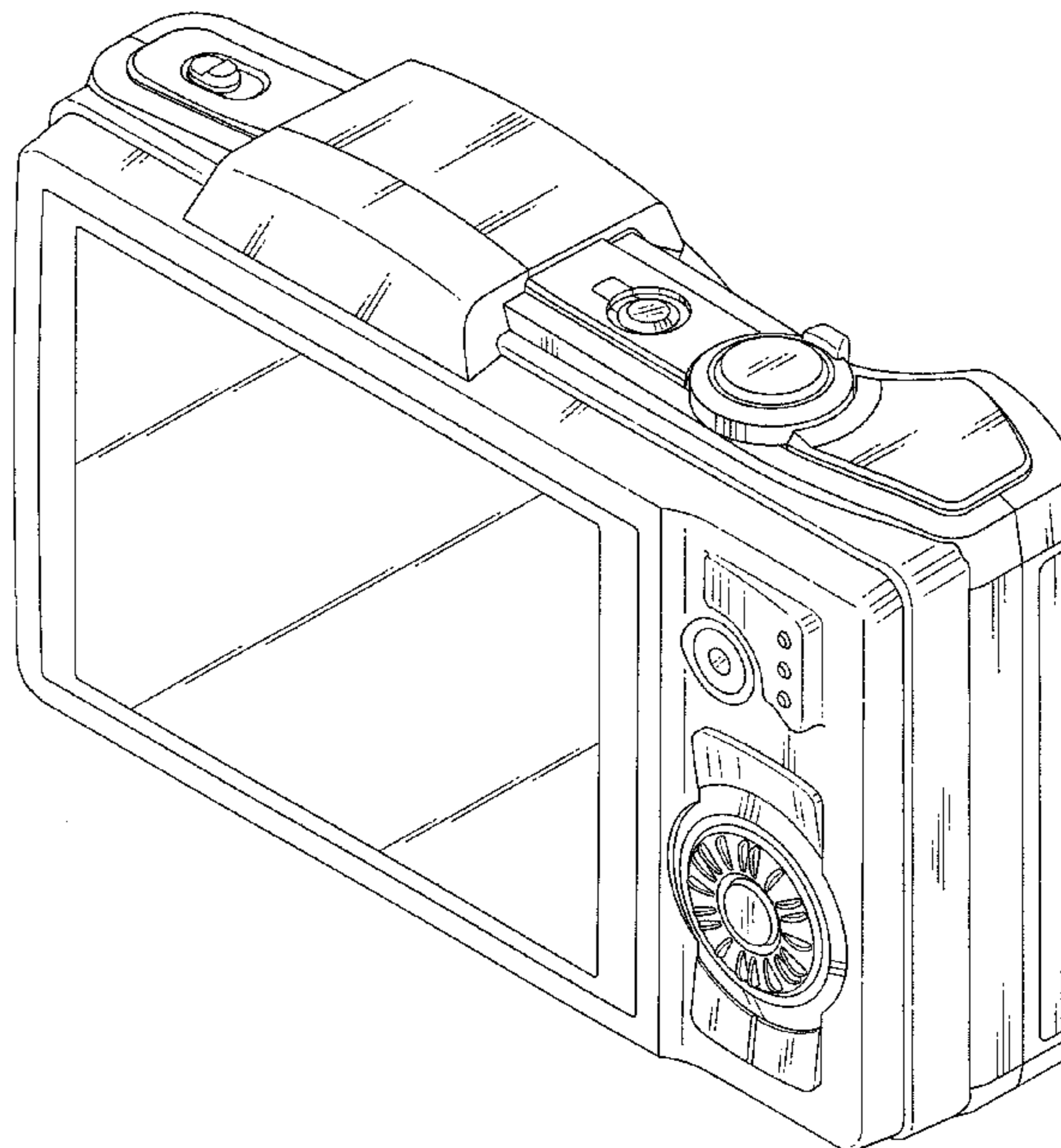
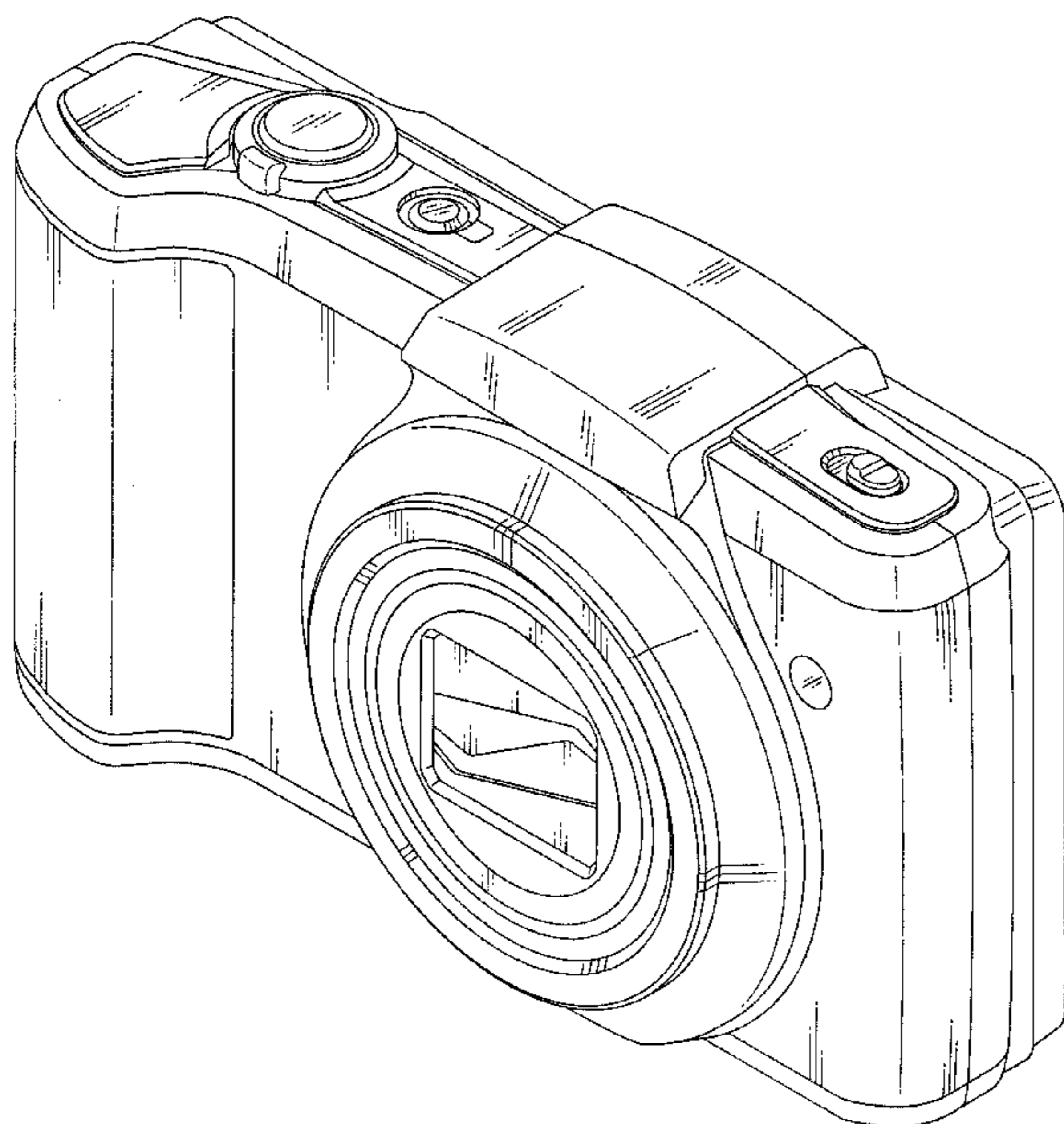
(57) **CLAIM**

The ornamental design for a digital camera, as shown.

DESCRIPTION

FIG. 1 is a top, front and right side perspective view of a digital camera showing my new design; FIG. 2 is a rear perspective view thereof; FIG. 3 is a front elevational view thereof; FIG. 4 is a rear elevational view thereof; FIG. 5 is a top plan view thereof; FIG. 6 is a bottom plan view thereof; FIG. 7 is a right side elevational view thereof; and, FIG. 8 is a left side elevational view thereof.

1 Claim, 5 Drawing Sheets



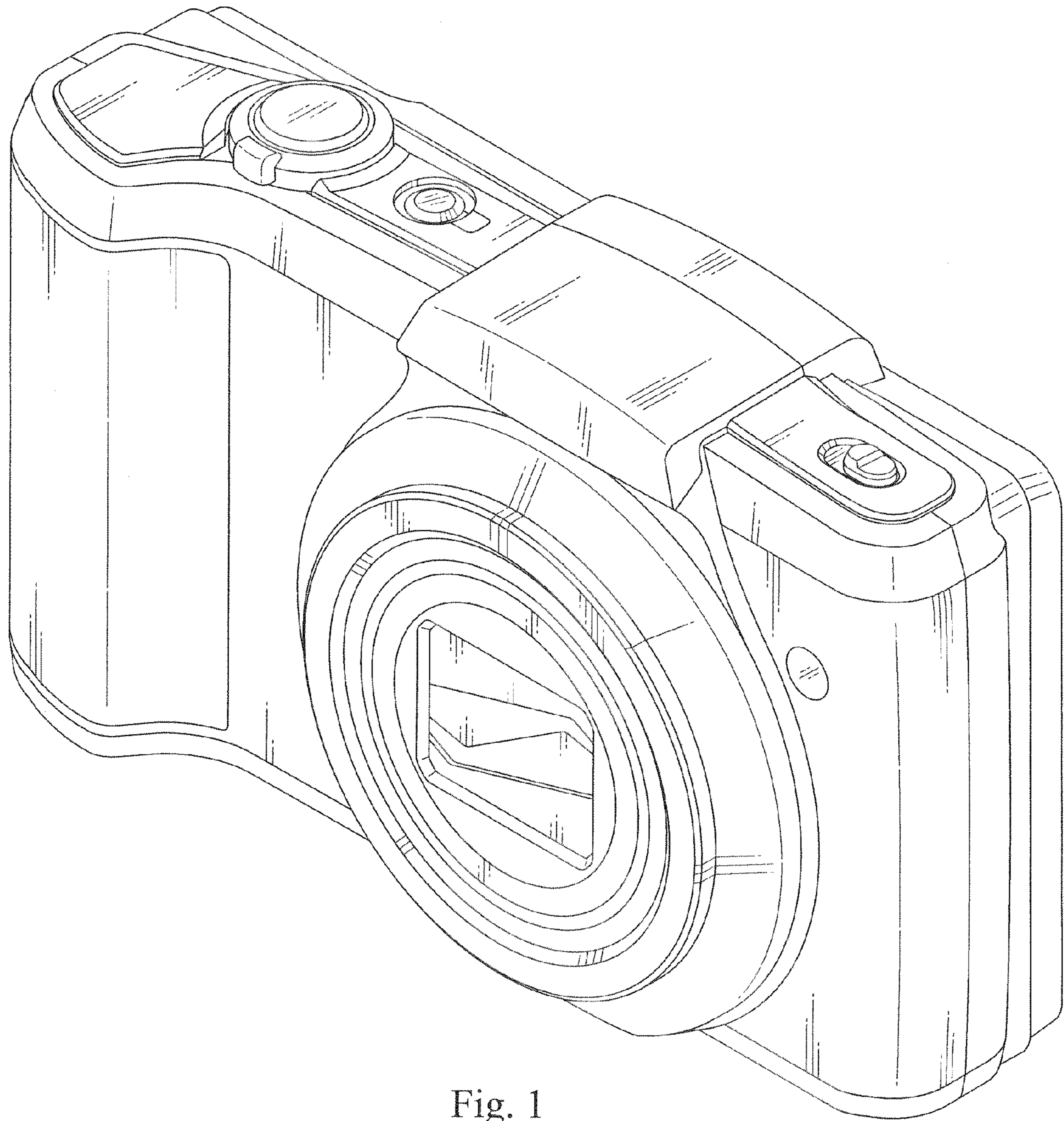


Fig. 1

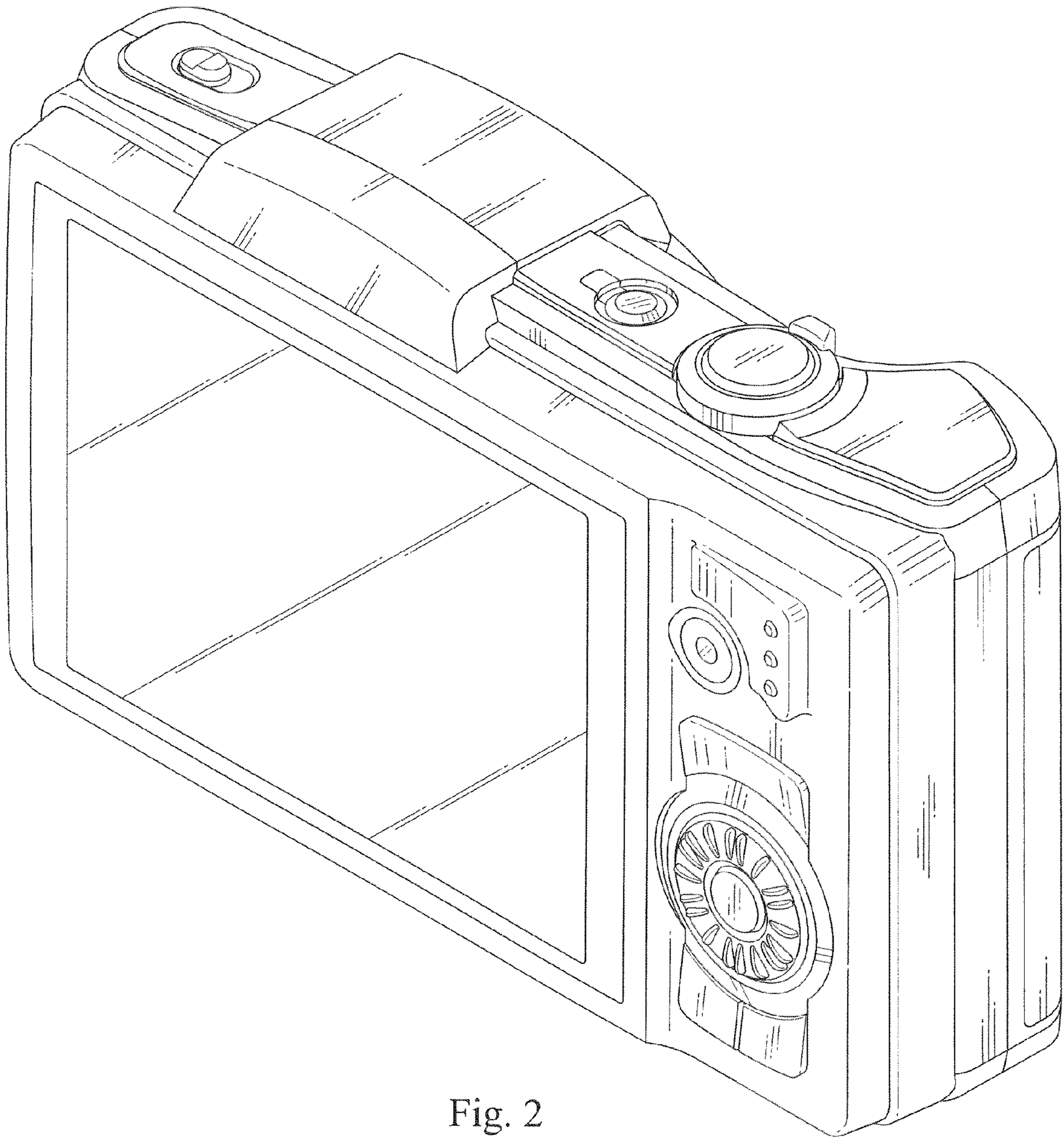


Fig. 2

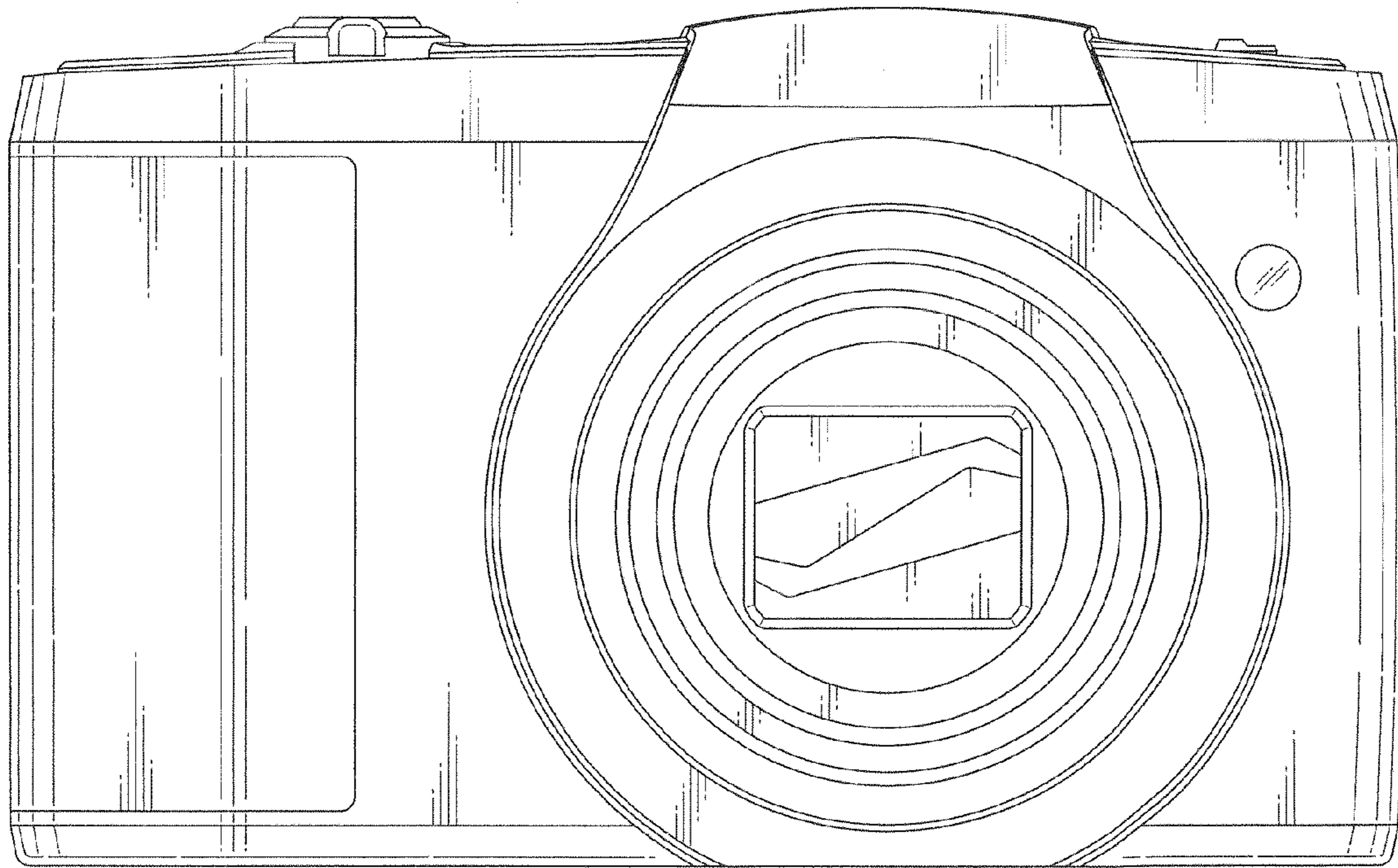


Fig. 3

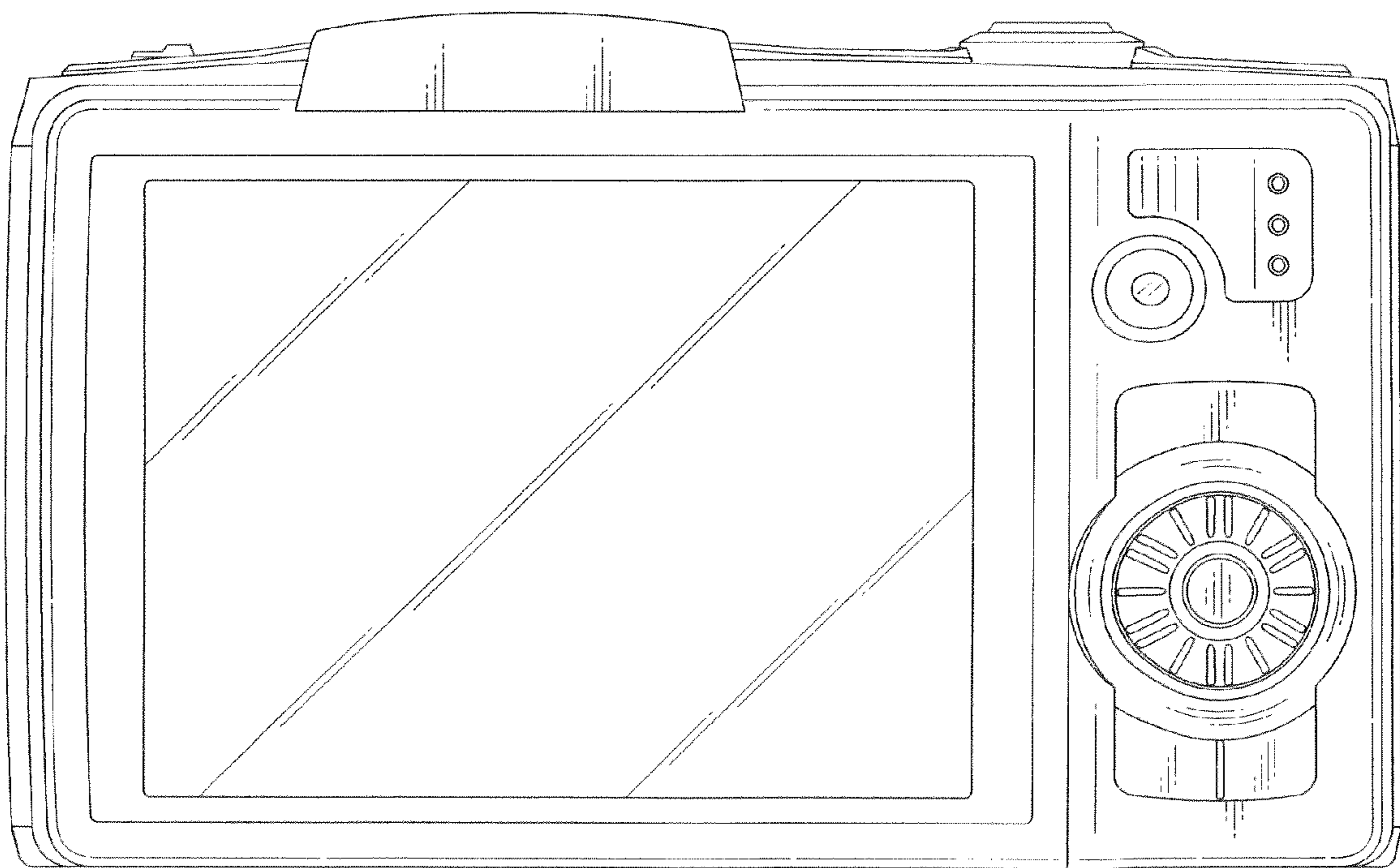


Fig. 4

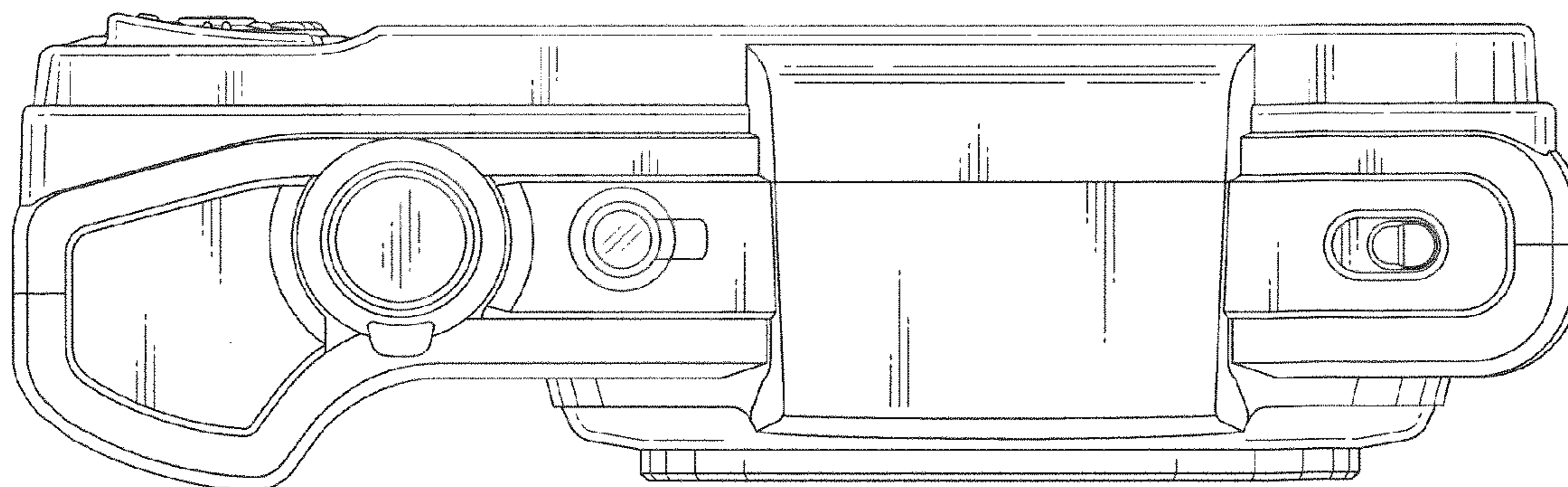


Fig. 5

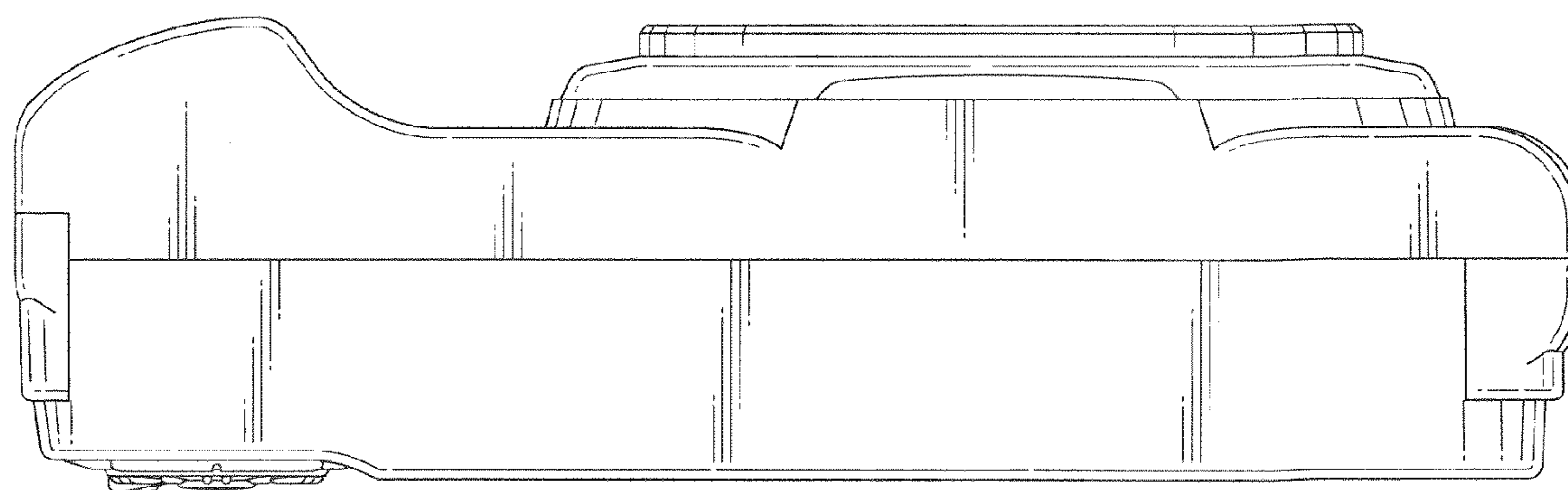


Fig. 6

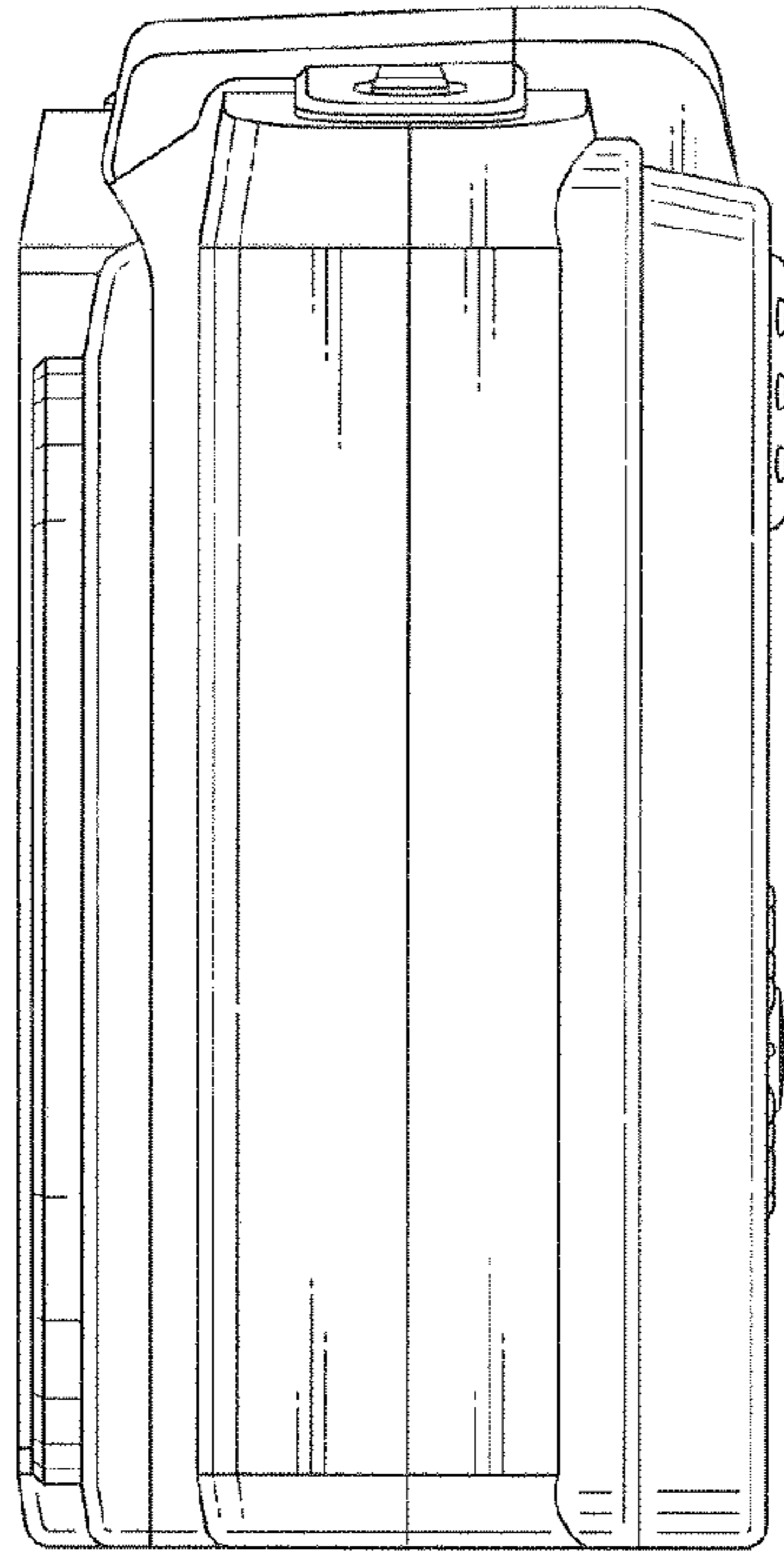


Fig. 7

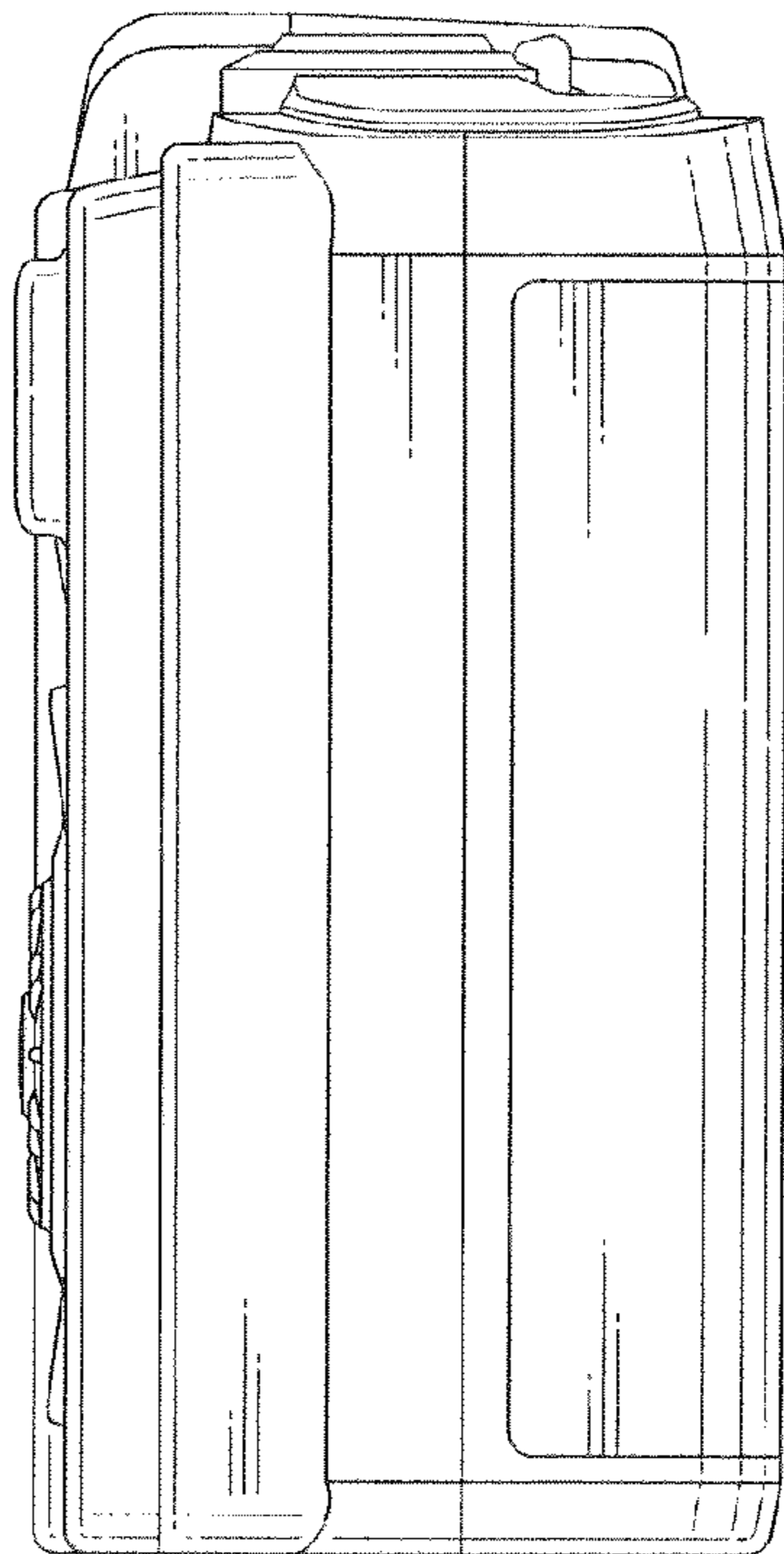


Fig. 8