



US00D646313S

(12) **United States Design Patent**  
**Woodman**

(10) **Patent No.:** **US D646,313 S**  
(45) **Date of Patent:** **\*\* Oct. 4, 2011**

- (54) **CAMERA HOUSING**
- (75) Inventor: **Nicholas D. Woodman**, Sausalito, CA (US)
- (73) Assignee: **Woodman Labs**, Half Moon Bay, CA (US)
- (\*\*) Term: **14 Years**
- (21) Appl. No.: **29/342,524**
- (22) Filed: **Aug. 26, 2009**
- (51) **LOC (9) Cl.** ..... **16-01**
- (52) **U.S. Cl.** ..... **D16/200; D16/218**
- (58) **Field of Classification Search** ..... **D16/200–205, D16/208, 218, 219; 348/373–376; 396/535–541**  
See application file for complete search history.

(56) **References Cited**

**U.S. PATENT DOCUMENTS**

D96,348 S *	7/1935	Teaque	.....	D16/217
D150,289 S *	7/1948	Crapsey, Jr.	.....	D16/218
4,646,141 A *	2/1987	Timmermans et al.	.....	348/373
D388,109 S	12/1997	Kimura et al.		
D441,386 S *	5/2001	Yamazaki	.....	D16/203
D460,474 S *	7/2002	Gotham et al.	.....	D16/219
D474,221 S *	5/2003	Cheng	.....	D16/218
D491,968 S *	6/2004	Isshiki	.....	D16/203
D528,580 S	9/2006	Sumita		
D540,841 S	4/2007	Yamagishi		
7,295,388 B2	11/2007	Shyu et al.		
D562,374 S	2/2008	Miyashita		
D582,955 S *	12/2008	Sekine et al.	.....	D16/218
D600,265 S	9/2009	Miyashita		
7,690,852 B2	4/2010	Kato et al.		

**OTHER PUBLICATIONS**

“GoPro Hero 3 Sports Wrist Camera Review,” PaddleDogNation, 2006, [Online] [Retrieved on Aug. 8, 2007] Retrieved from the Internet<URL:http://paddledognation.com/Reviews/PaddlingGear-Reviews/Hero3Ca...>.

Huang, J., “Part 19—Oct. 21: Interbike Bits and Baubles,” Interbike Show, Las Vegas, Nevada, USA, Sep. 22-26, 2008, Cyclingnews.com, [Online] [Retrieved on Oct. 21, 2008] Retrieved from the Internet<URL:http://www.cyclingnews.com/tech/2008/shows/interbike08/?id=result...>.  
“Tekkno Trading Project—Brandnews,” NSP, Jan. 2008, p. 59.  
Volk, W., “Go Pro’s Digital Hero Camera,” Divester, Posted Dec. 5, 2008, [Online] [Retrieved on Sep. 16, 2009] Retrieved from the Internet<URL:http://www.divester.com/2006/12/05/go-pro-digital-hero-camera/>.

\* cited by examiner

*Primary Examiner* — Adir Aronovich

(74) *Attorney, Agent, or Firm* — Fenwick & West LLP

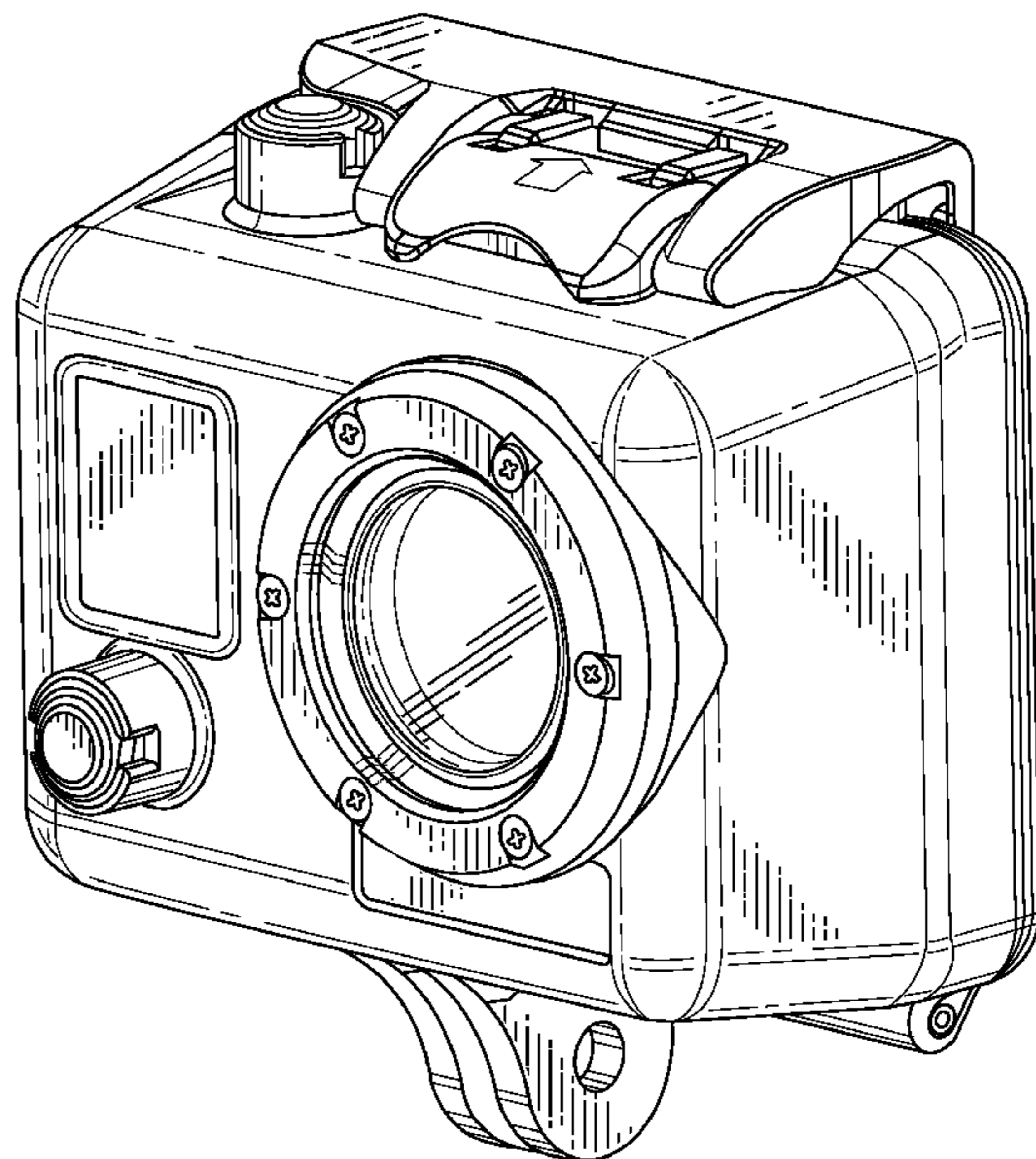
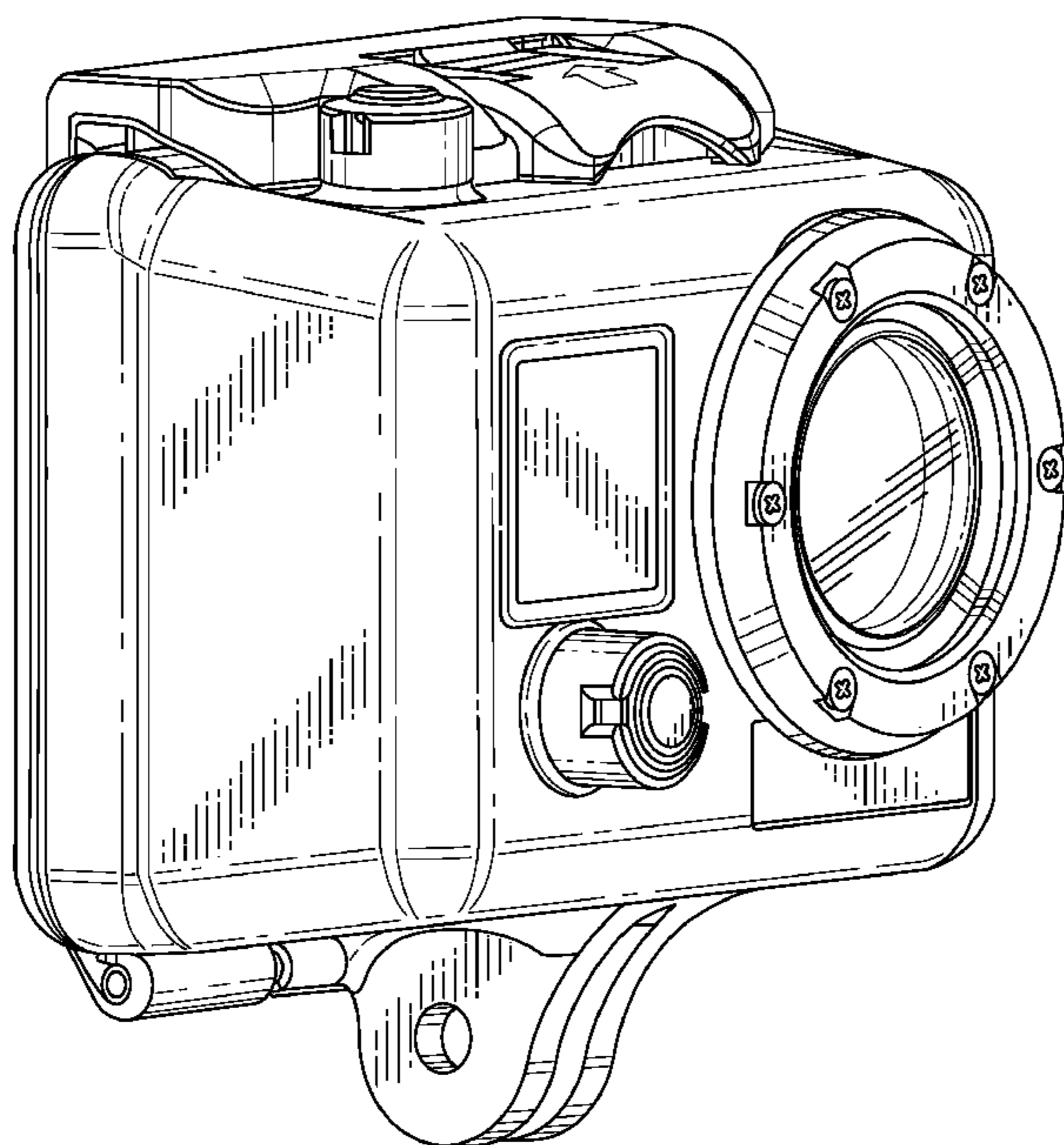
(57) **CLAIM**

The ornamental design for a camera housing, as shown and described.

**DESCRIPTION**

FIG. 1 is a front, top and left side perspective view of a camera housing showing my new design;  
FIG. 2 is a front, top and right side perspective view thereof;  
FIG. 3 is a front, bottom and left side perspective view thereof;  
FIG. 4 is a front elevational view thereof;  
FIG. 5 is a rear elevational view thereof;  
FIG. 6 is a left side elevational view thereof;  
FIG. 7 is a right side elevational view thereof;  
FIG. 8 is a top plan view thereof; and,  
FIG. 9 is a bottom plan view thereof.

**1 Claim, 9 Drawing Sheets**



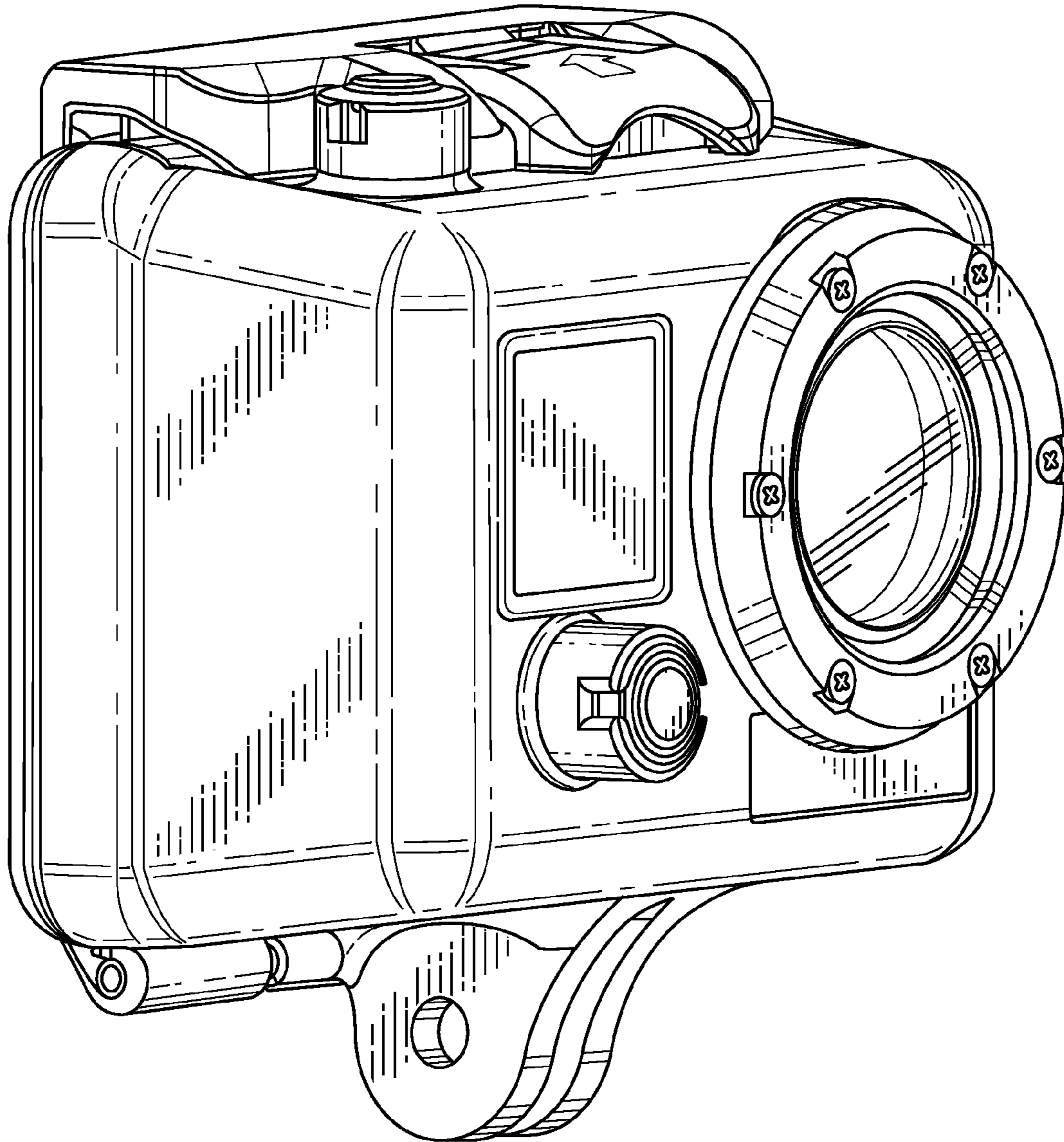


FIG. 1

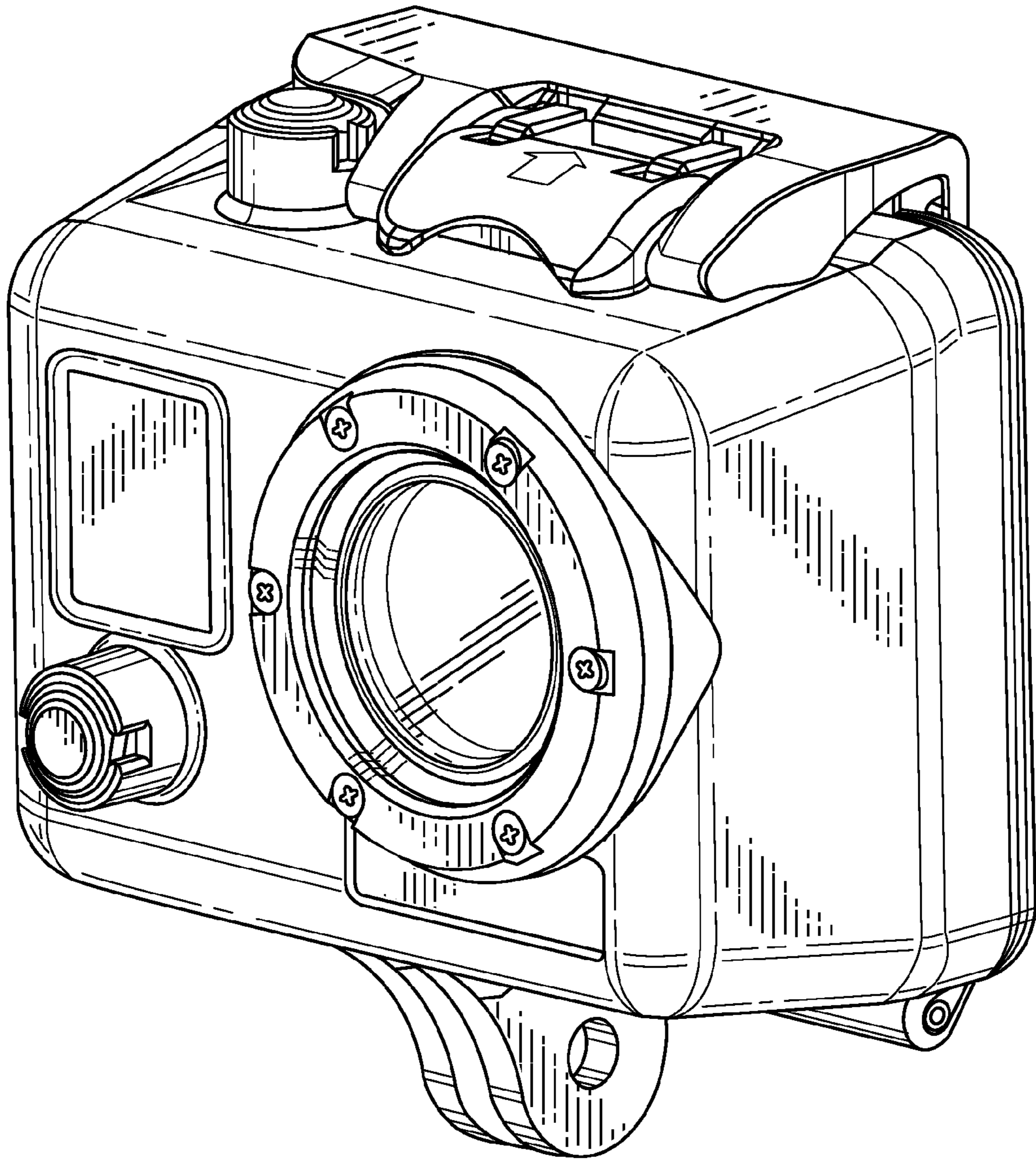


FIG. 2

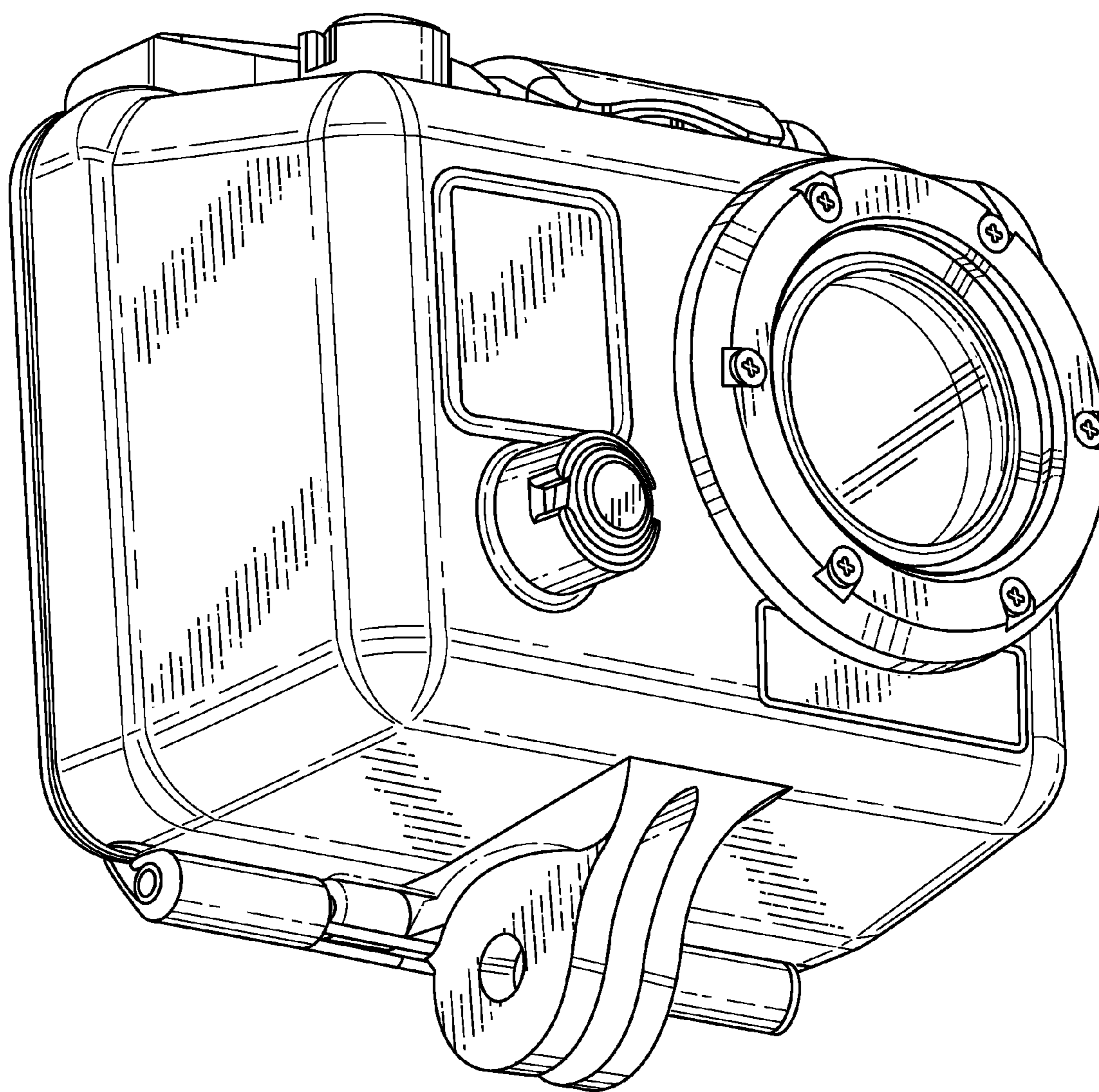


FIG. 3

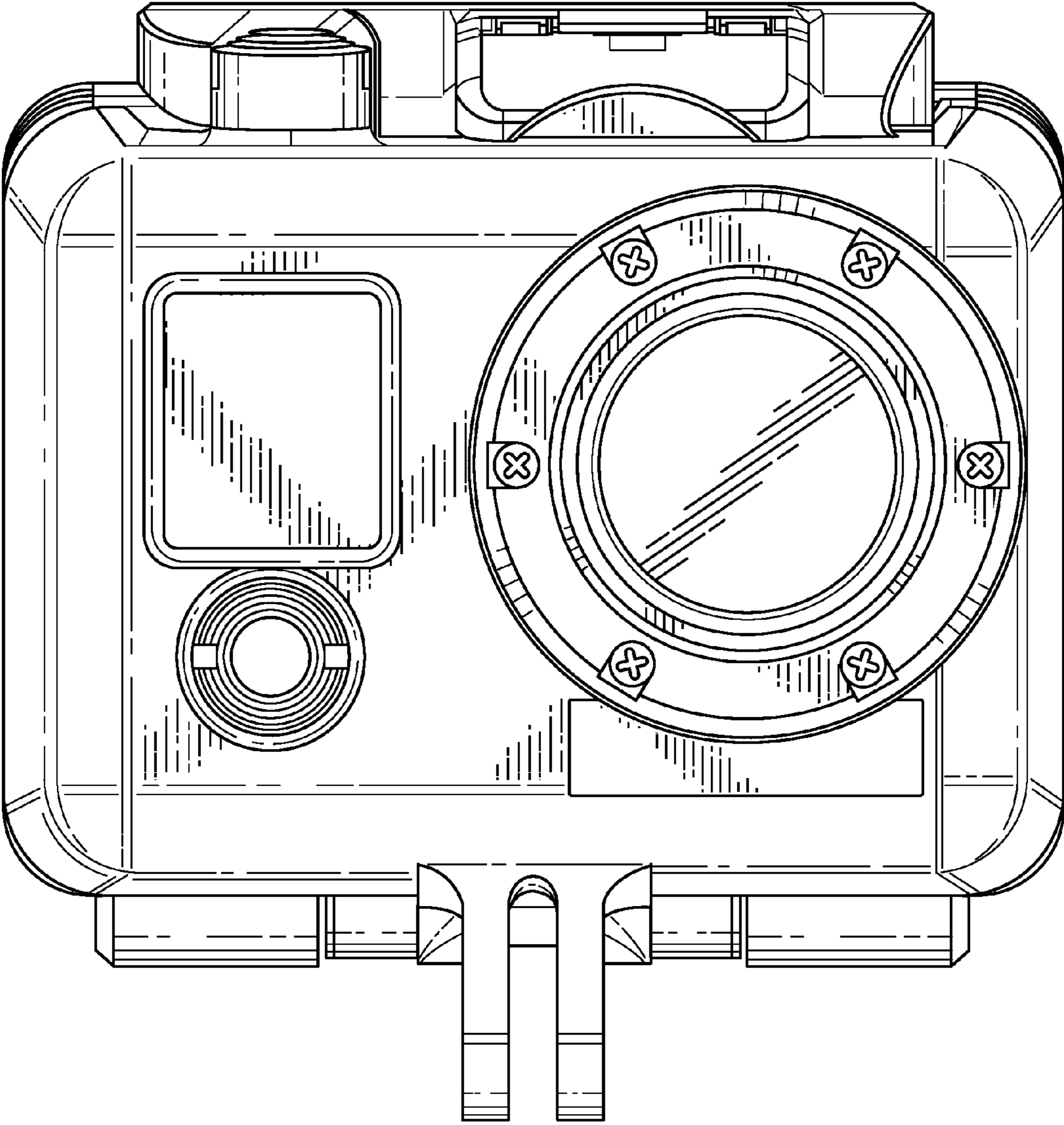


FIG. 4

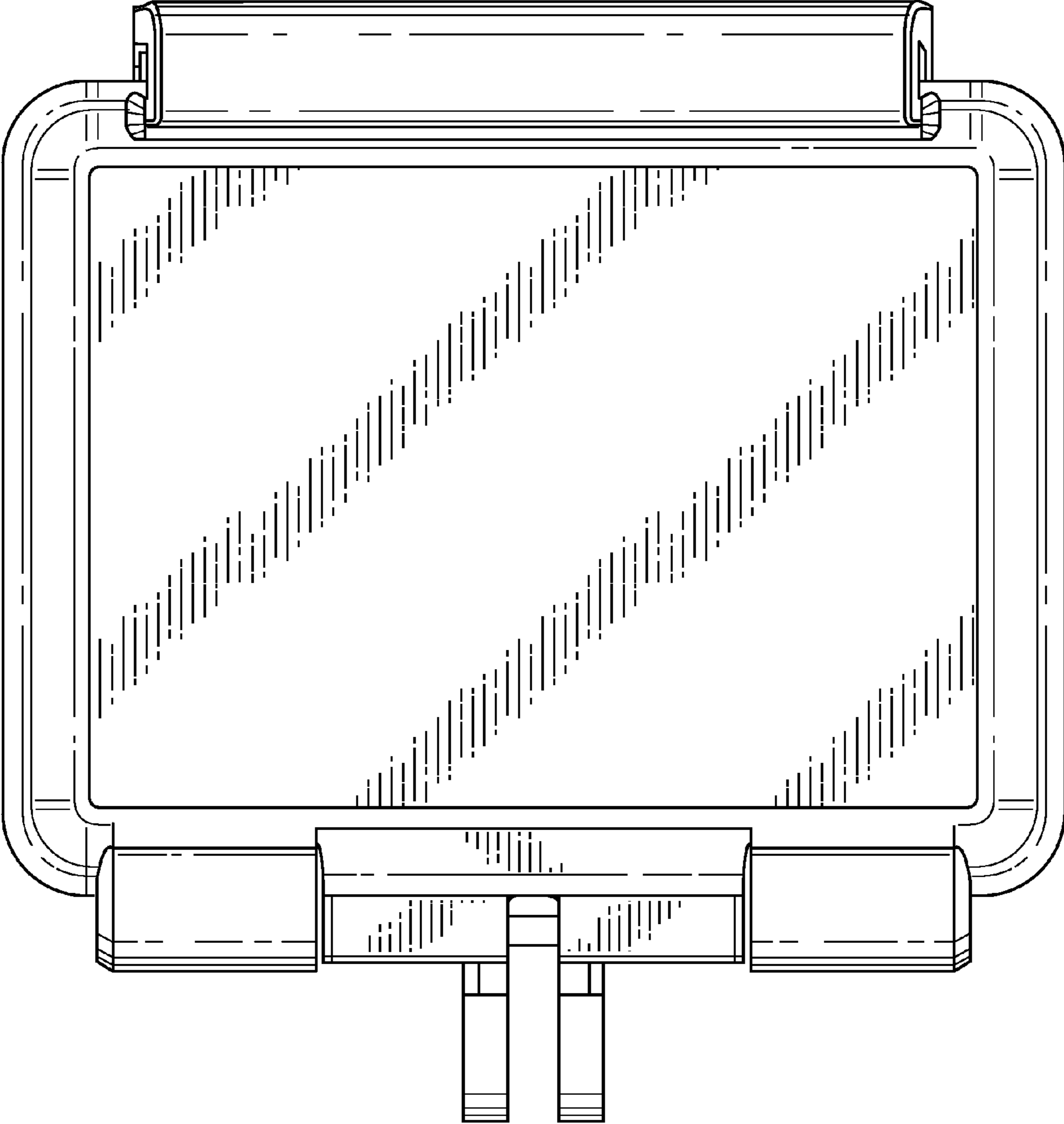


FIG. 5

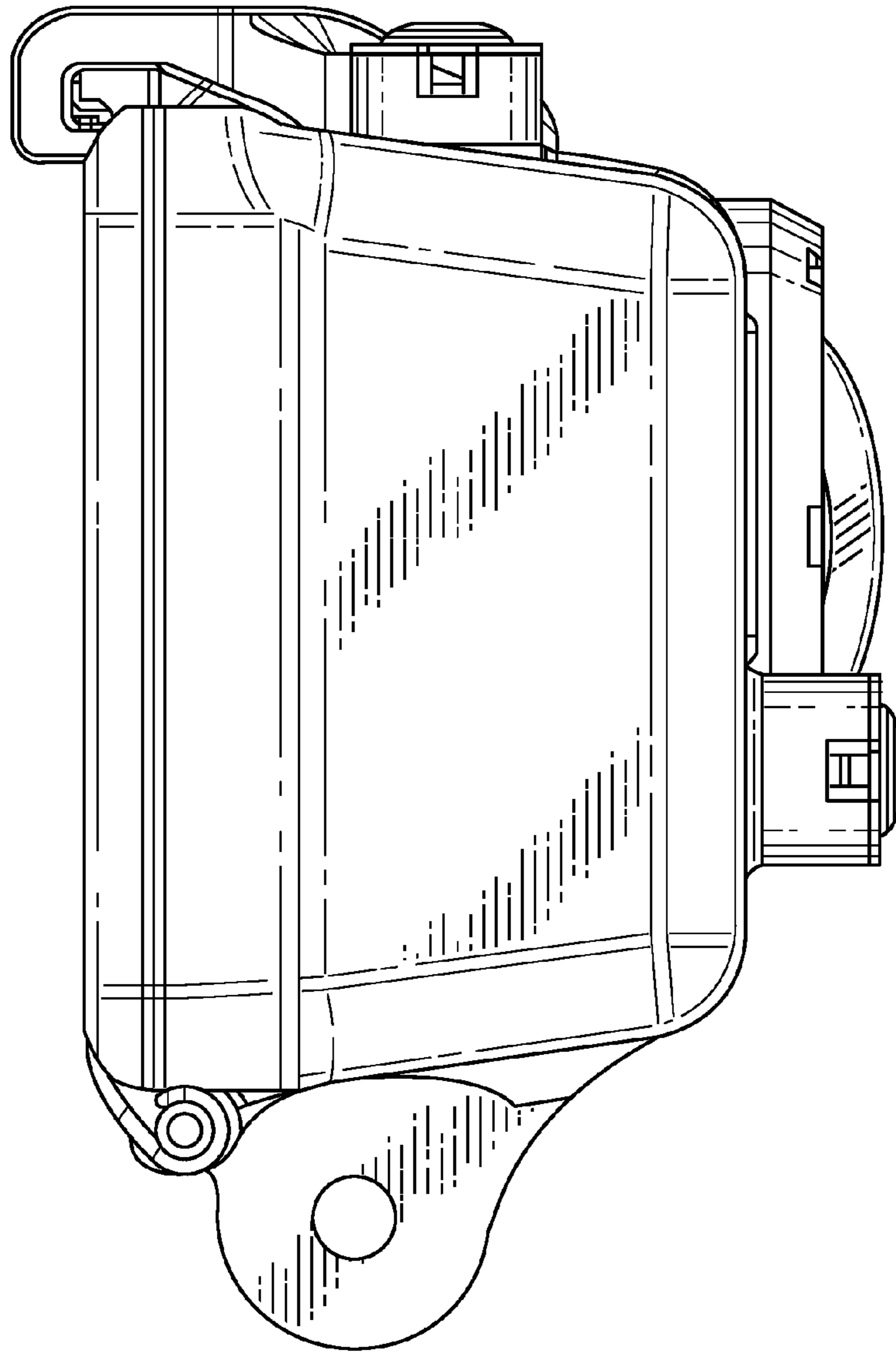


FIG. 6

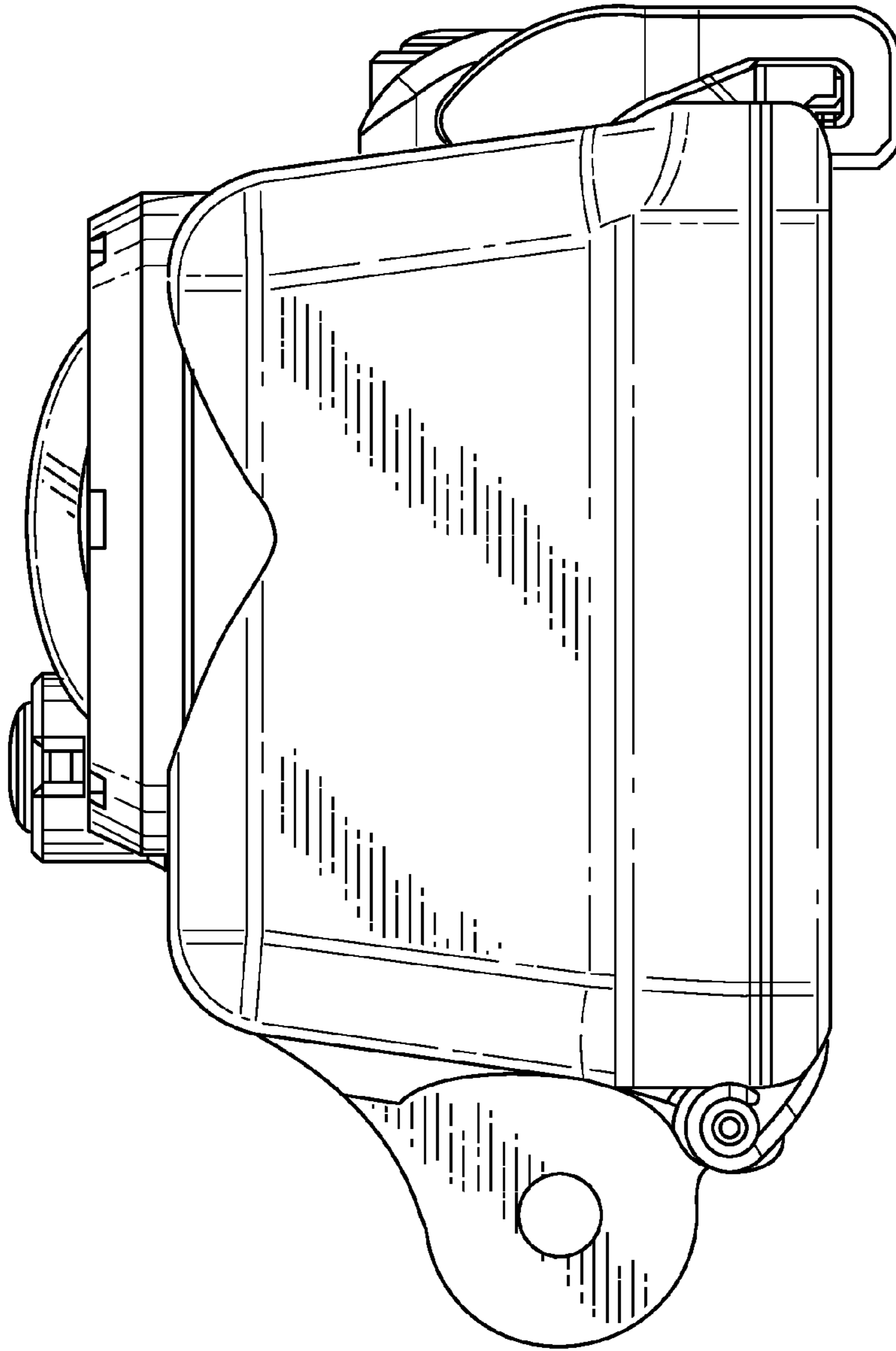


FIG. 7



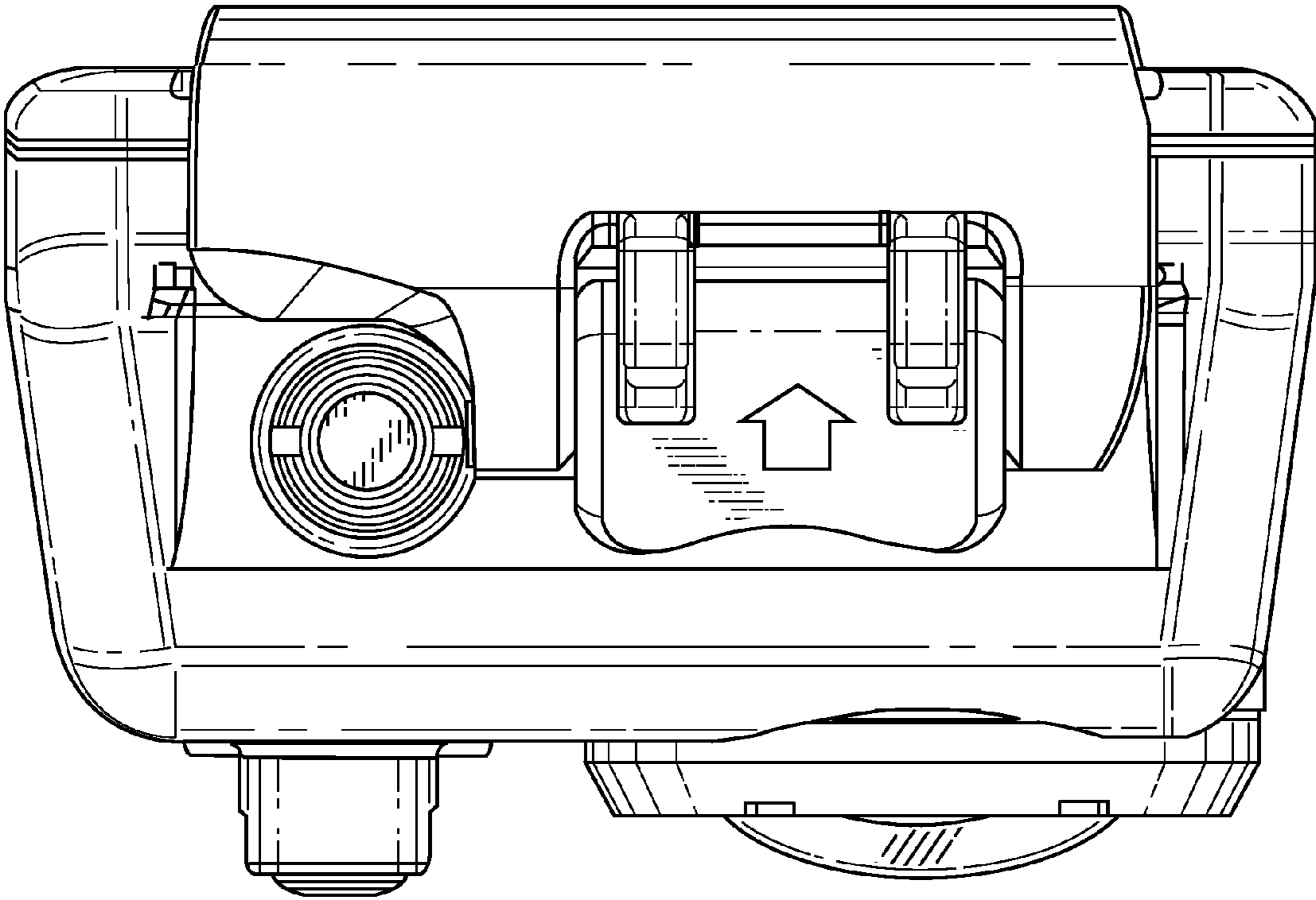


FIG. 8

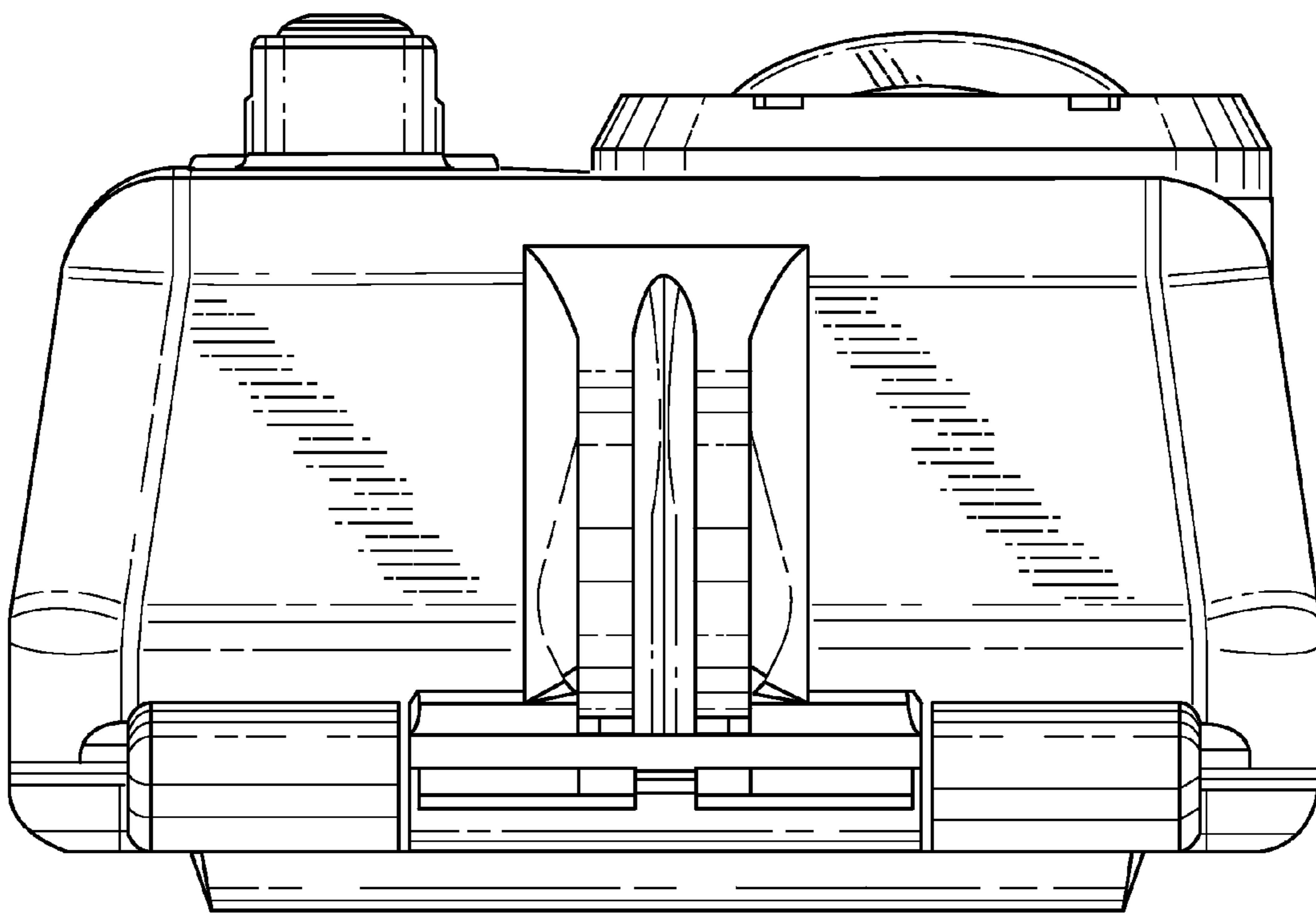


FIG. 9