



US00D646312S

(12) **United States Design Patent**
Suzuki

(10) **Patent No.:** **US D646,312 S**

(45) **Date of Patent:** **** Oct. 4, 2011**

(54) **3D GLASS**

(75) **Inventor:** **Takeshi Suzuki**, Tokyo (JP)

(73) **Assignee:** **Kabushiki Kaisha Toshiba**, Minato-ku, Tokyo (JP)

(**) **Term:** **14 Years**

(21) **Appl. No.:** **29/379,343**

(22) **Filed:** **Nov. 18, 2010**

(30) **Foreign Application Priority Data**

Sep. 28, 2010 (JP) 2010-023088

(51) **LOC (9) Cl.** **16-06**

(52) **U.S. Cl.** **D16/135**

(58) **Field of Classification Search** D16/135,
D16/130, 134, 136, 137; D6/300, 308; D12/417;
362/109, 157, 253; D19/59, 60; 359/742,
359/802, 803, 808, 810, 812, 811, 818, 819,
359/710, 711

See application file for complete search history.

(56) **References Cited**

U.S. PATENT DOCUMENTS

D120,498 S * 5/1940 Chapoton D16/135
D127,366 S * 5/1941 Bouchard D16/135

D306,174 S * 2/1990 Rethore D16/135
D329,662 S * 9/1992 Spong D19/60
D426,246 S * 6/2000 Hennessy et al. D16/135
D483,780 S * 12/2003 Overholser D16/135
D502,719 S * 3/2005 Yip et al. D16/135
D517,583 S * 3/2006 Giampavolo D16/135
D520,164 S * 5/2006 Brass et al. D26/44
D550,264 S * 9/2007 Chan D16/135
D629,433 S * 12/2010 Holland D16/135

* cited by examiner

Primary Examiner — Paula Greene

(74) *Attorney, Agent, or Firm* — Banner & Witcoff, Ltd

(57) **CLAIM**

The ornamental design for a 3D glass, as shown and described.

DESCRIPTION

FIG. 1 is a front perspective view of a 3D glass showing my new design,

FIG. 2 is a rear perspective view thereof,

FIG. 3 is a front elevational view thereof,

FIG. 4 is a top plan view thereof,

FIG. 5 is a left side elevational view thereof,

FIG. 6 is a right side elevational view thereof,

FIG. 7 is a bottom plan view thereof; and,

FIG. 8 is a rear elevational view thereof.

1 Claim, 5 Drawing Sheets

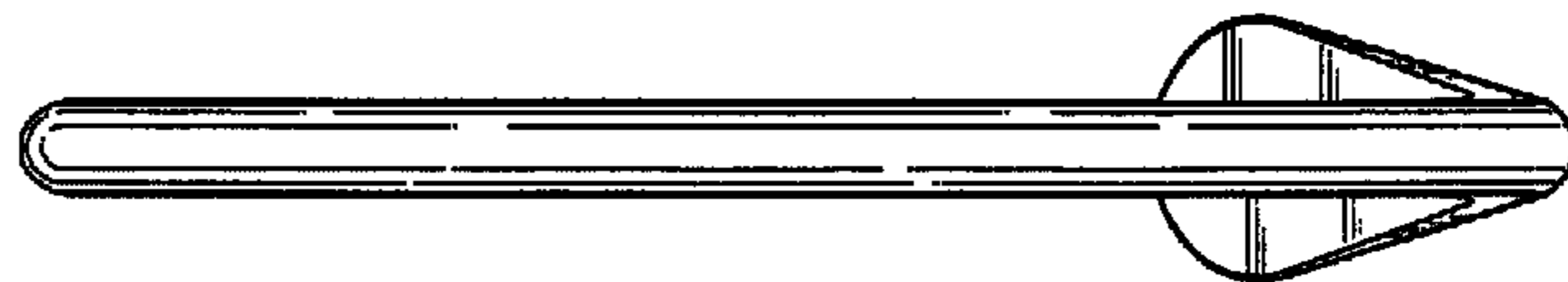
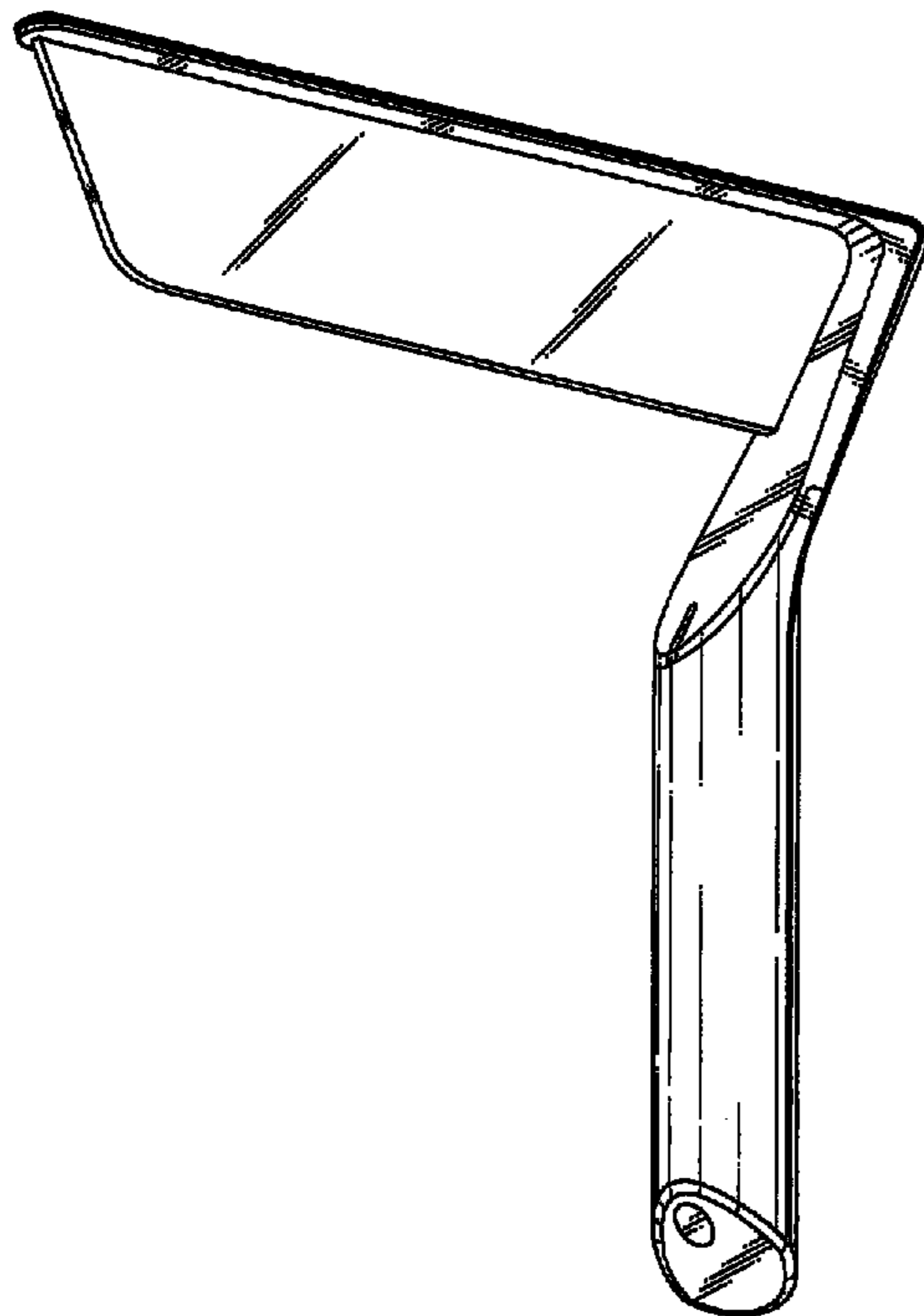


FIG.1

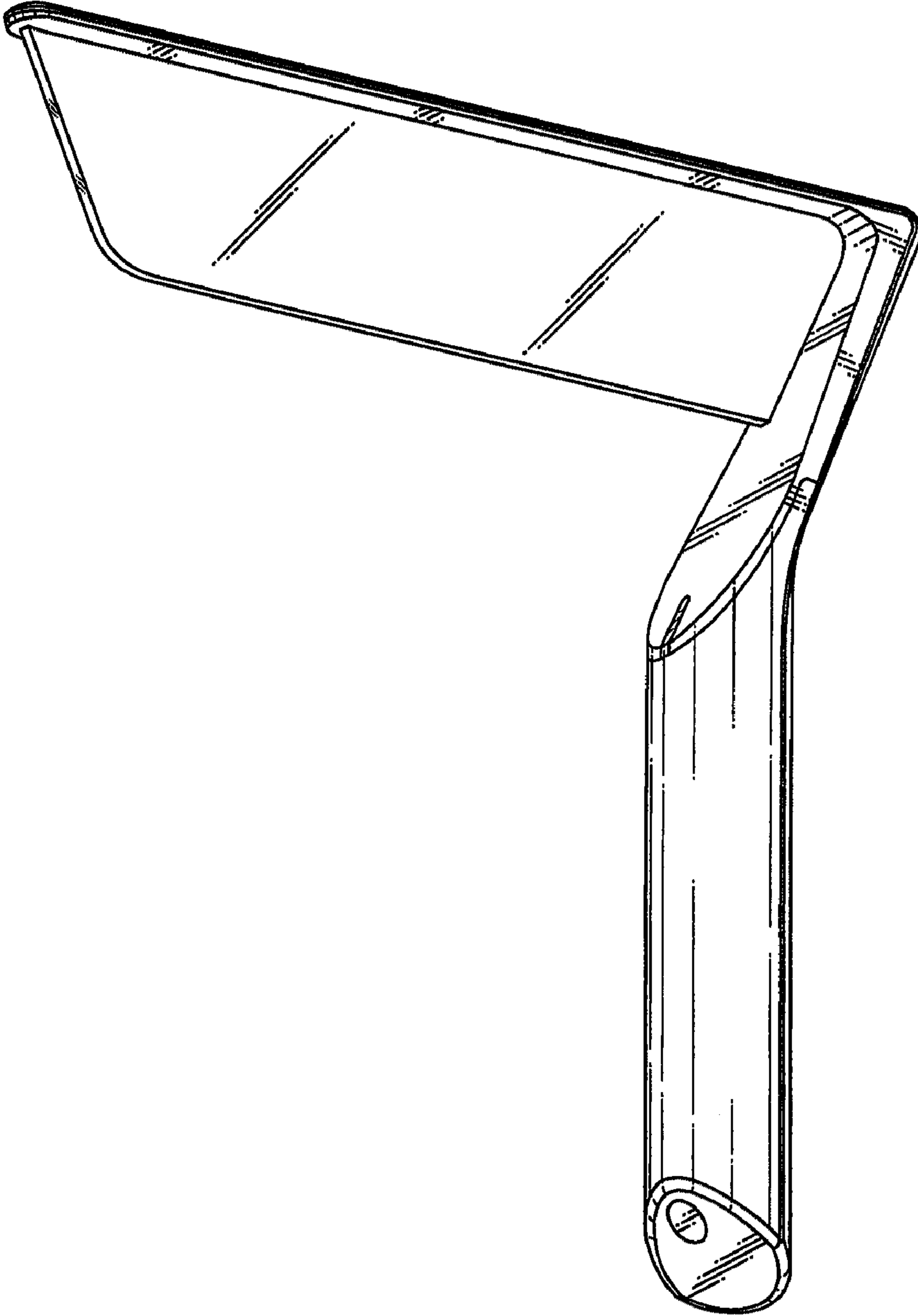


FIG.2

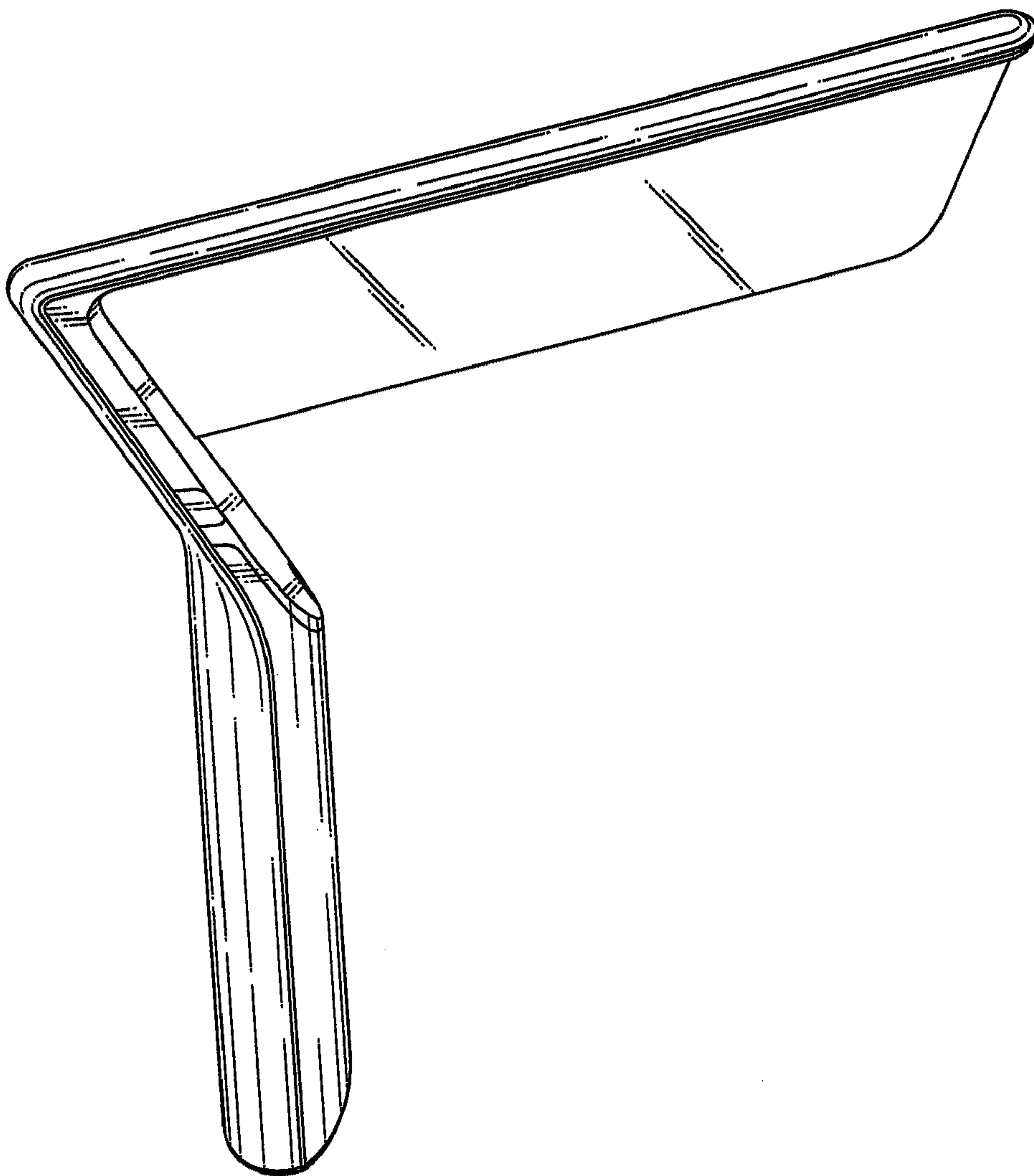


FIG.3

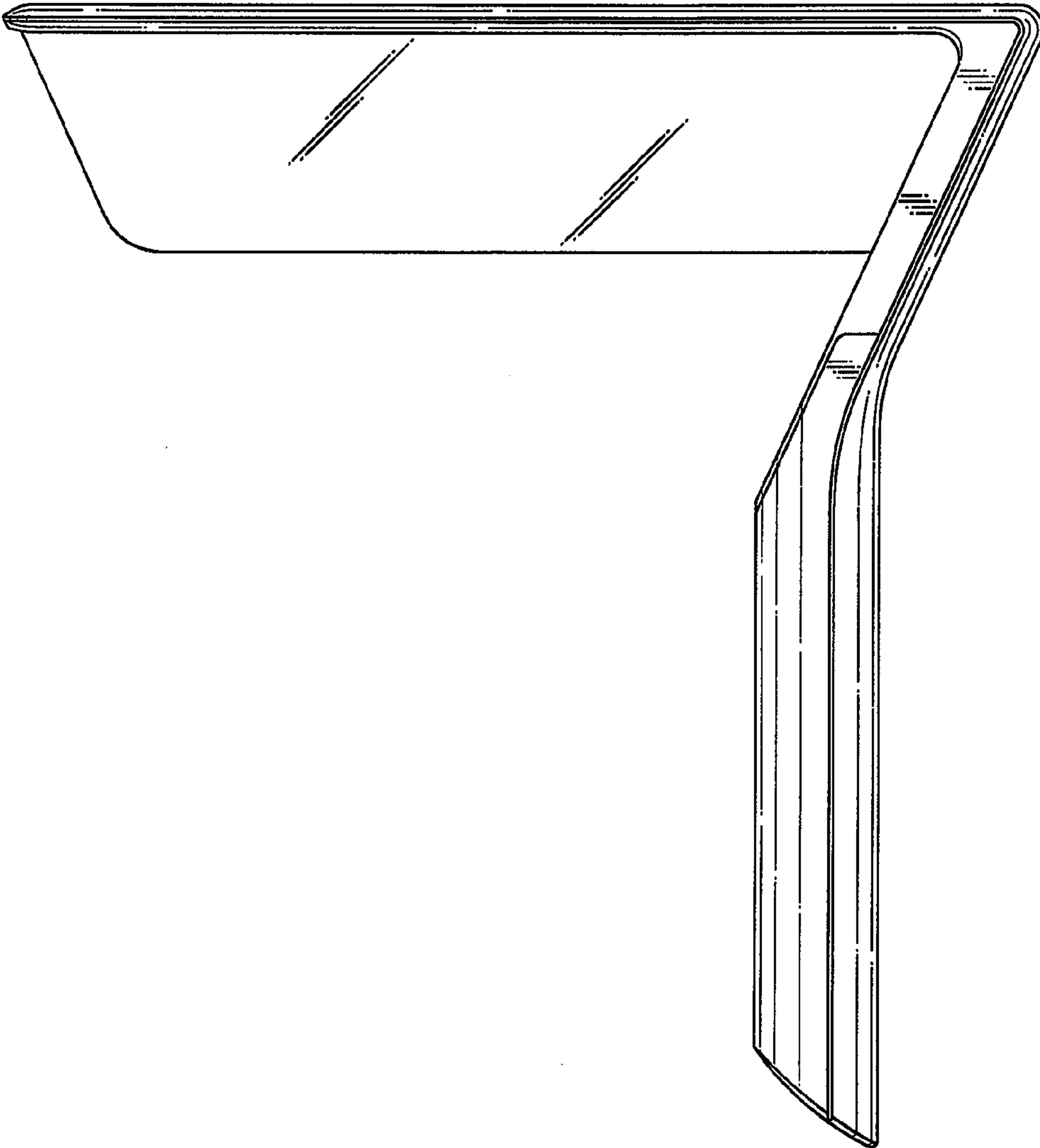


FIG.4

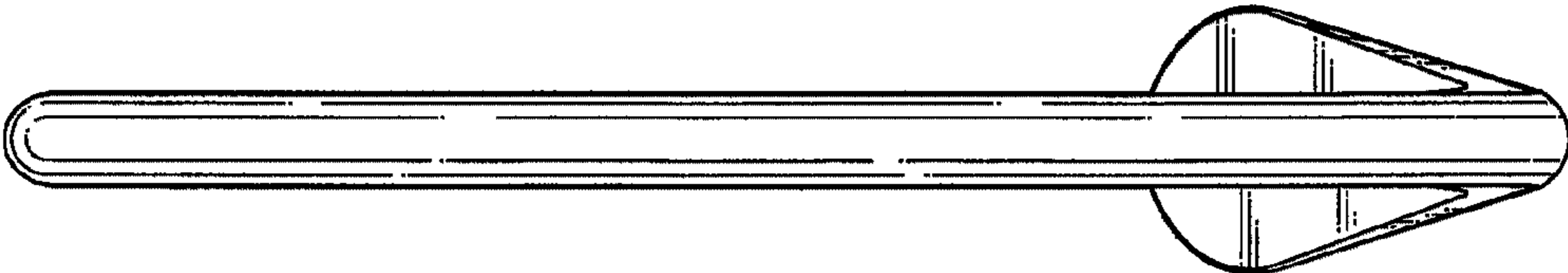


FIG.5

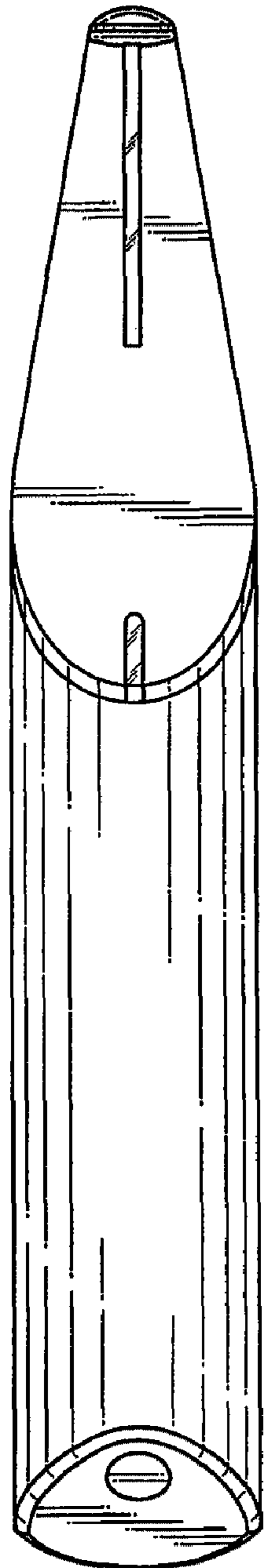


FIG.6

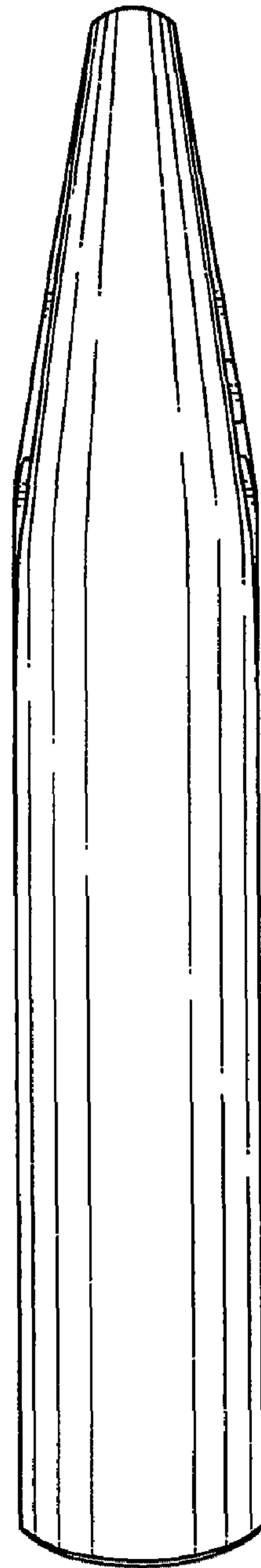


FIG.7

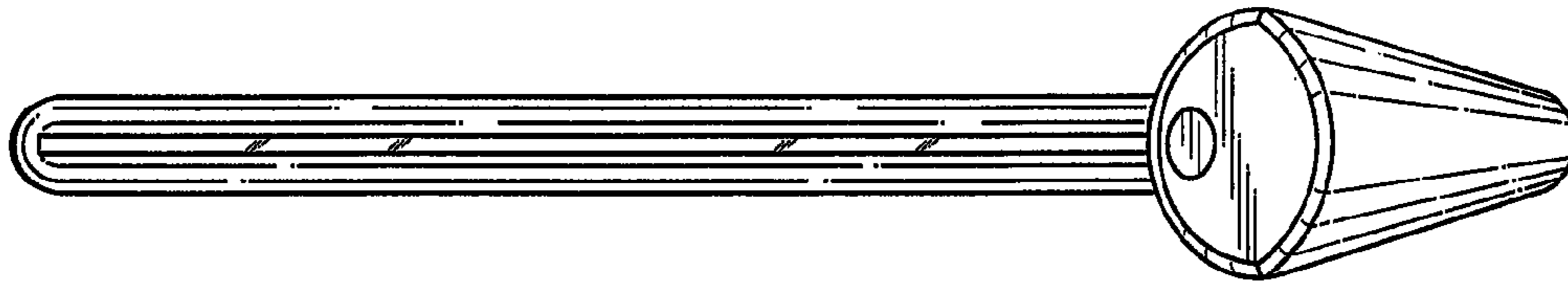


FIG.8

