

US00D646308S

(12) **United States Design Patent**
Kristiansen et al.

(10) **Patent No.:** **US D646,308 S**

(45) **Date of Patent:** **** Oct. 4, 2011**

(54) **REFRIGERATOR**

(75) Inventors: **Keith Kristiansen**, Edgewater, NJ (US);
Roland Charriez, Edgewater, NJ (US);
David Demar, Edgewater, NJ (US)

(73) Assignee: **LG Electronics Inc.**, Seoul (KR)

(**) Term: **14 Years**

(21) Appl. No.: **29/385,244**

(22) Filed: **Feb. 10, 2011**

Related U.S. Application Data

(63) Continuation of application No. 29/340,391, filed on Jul. 17, 2009.

(51) **LOC (9) Cl.** **15-07**

(52) **U.S. Cl.** **D15/91**

(58) **Field of Classification Search** D15/79-89;
312/400-408; 62/3.6, 3.61-3.64, 236, 246,
62/440, 531

See application file for complete search history.

(56) **References Cited**

U.S. PATENT DOCUMENTS

D495,719	S	*	9/2004	Kirchner et al.	D15/86
D508,059	S	*	8/2005	Seok et al.	D15/86
D508,925	S	*	8/2005	Seok et al.	D15/86
D508,926	S	*	8/2005	Seok et al.	D15/86
D522,540	S	*	6/2006	Cho et al.	D15/86
D556,223	S	*	11/2007	Wang et al.	D15/86
D557,292	S	*	12/2007	Lee et al.	D15/86
D562,362	S	*	2/2008	Bissig et al.	D15/91
D567,262	S	*	4/2008	Crookshanks	D15/91
D570,884	S	*	6/2008	Yang et al.	D15/86
D577,373	S	*	9/2008	Crookshanks	D15/91

D594,886	S	*	6/2009	Wang et al.	D15/86
D613,317	S	*	4/2010	Baacke et al.	D15/91
D614,208	S	*	4/2010	Seo et al.	D15/86
D615,109	S	*	5/2010	Yang et al.	D15/86
D632,314	S	*	2/2011	Kristiansen et al.	D15/86
D632,708	S	*	2/2011	Seo et al.	D15/86
D633,114	S	*	2/2011	Seo et al.	D15/86

* cited by examiner

Primary Examiner — Mitchell Siegel

(74) *Attorney, Agent, or Firm* — Morgan Lewis & Bockius LLP

(57) **CLAIM**

The ornamental design for a refrigerator, as shown and described.

DESCRIPTION

FIG. 1 is a perspective view of a refrigerator showing our new design;

FIG. 2 is a front view thereof;

FIG. 3 is a rear view thereof;

FIG. 4 is a left side view thereof;

FIG. 5 is a right side view thereof;

FIG. 6 is a top plan view thereof;

FIG. 7 is a bottom plan view thereof;

FIG. 8 is a perspective view thereof showing the state that the doors of the refrigerator are closed;

FIG. 9 is a perspective view thereof showing the state that the first door at the right side and the door at the left side of top of the refrigerator are opened; and,

FIG. 10 is a perspective view thereof showing the state that the first and the second door at the right side and the door at the left side of top of the refrigerator are opened.

The broken lines depict portions of the refrigerator that form no part of the claimed design.

1 Claim, 9 Drawing Sheets

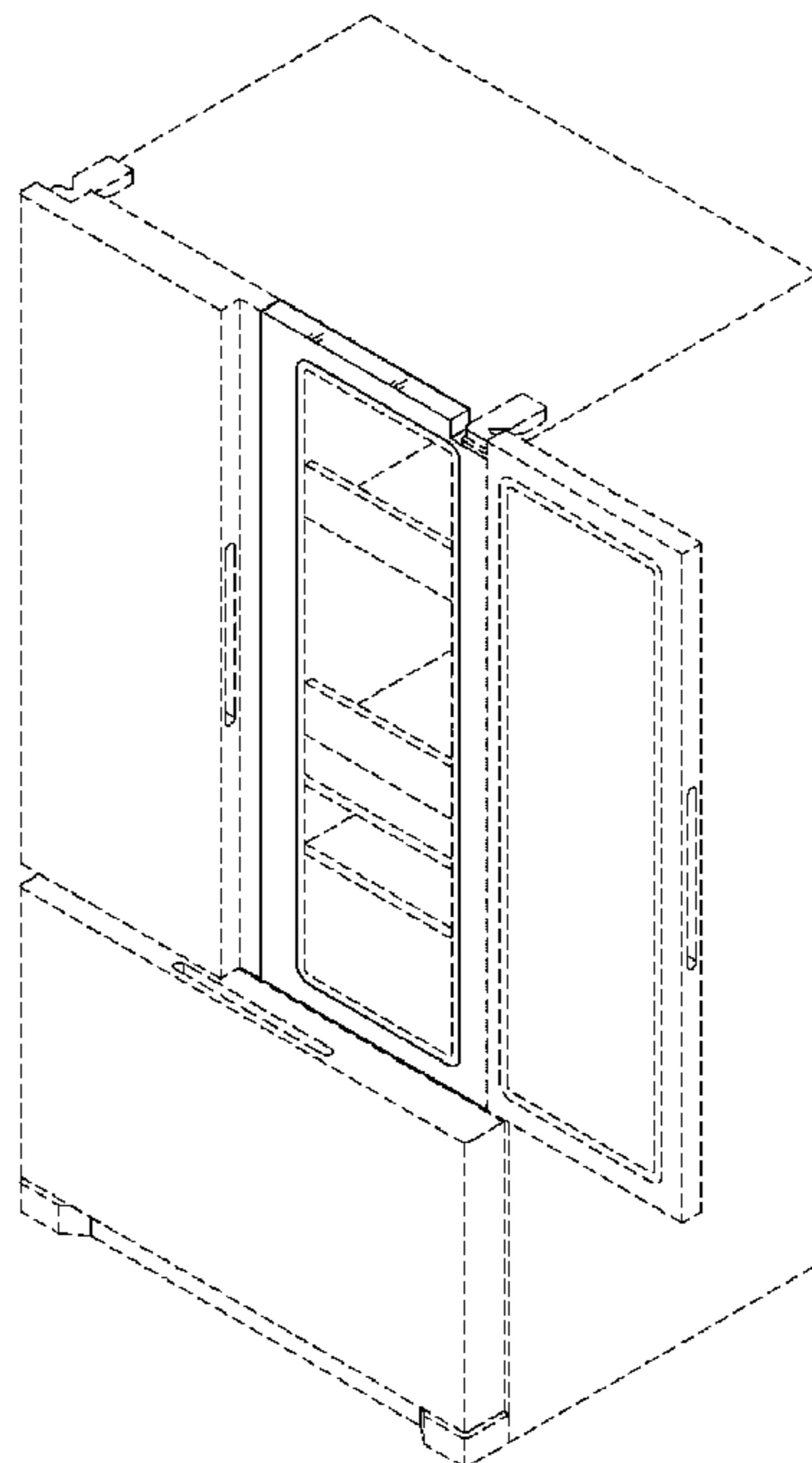


FIG. 1

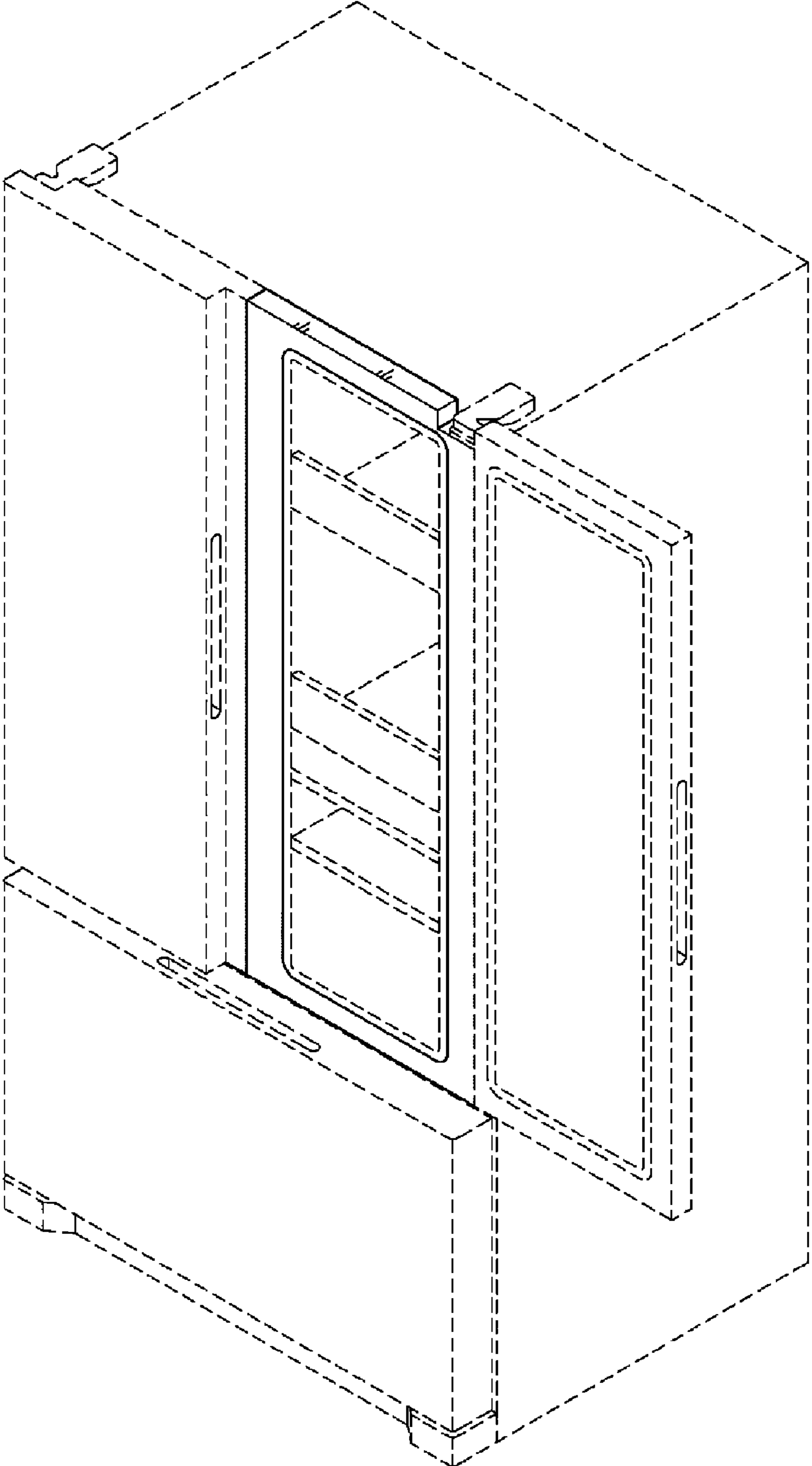


FIG. 2

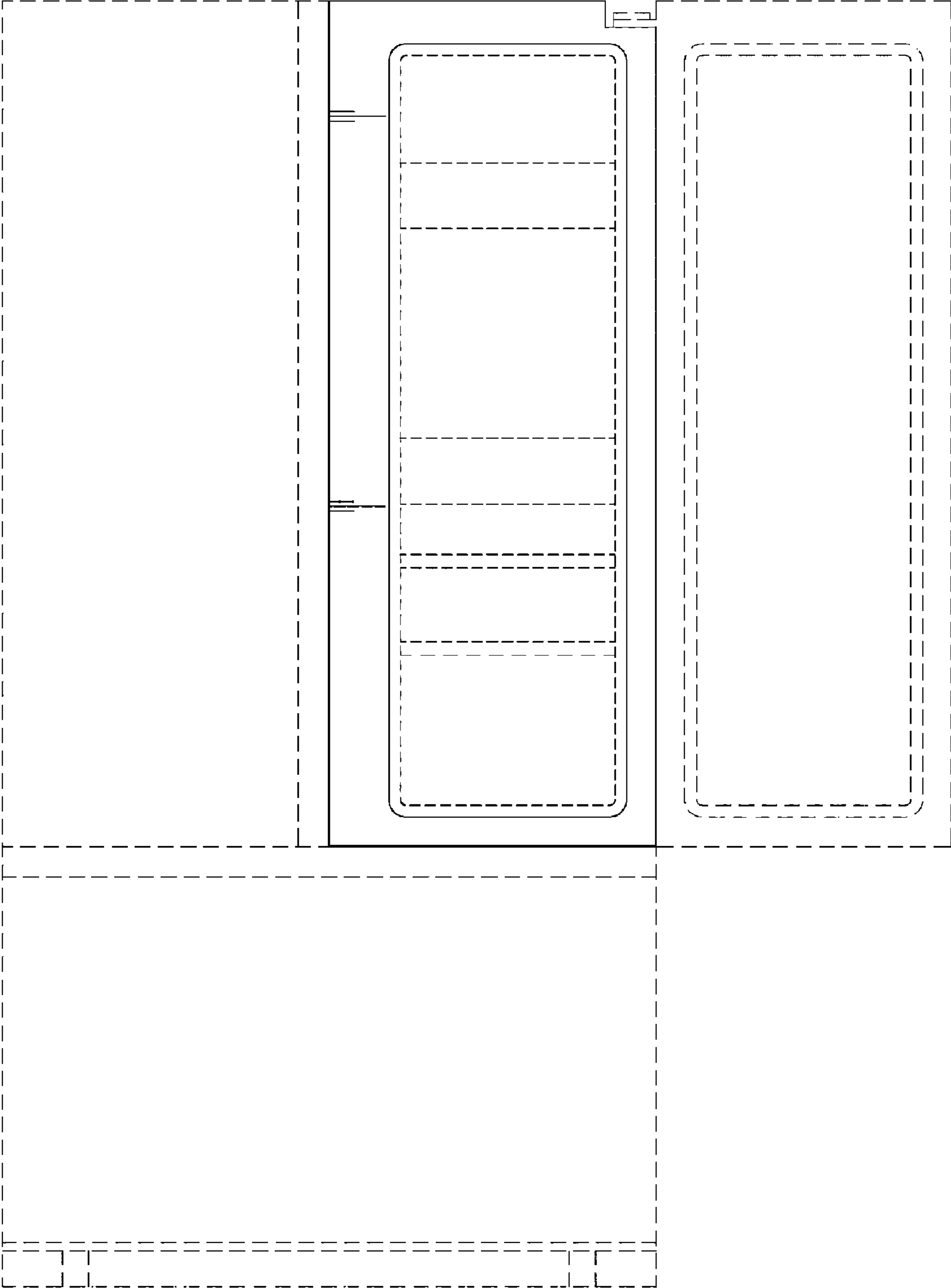


FIG. 3



FIG. 4

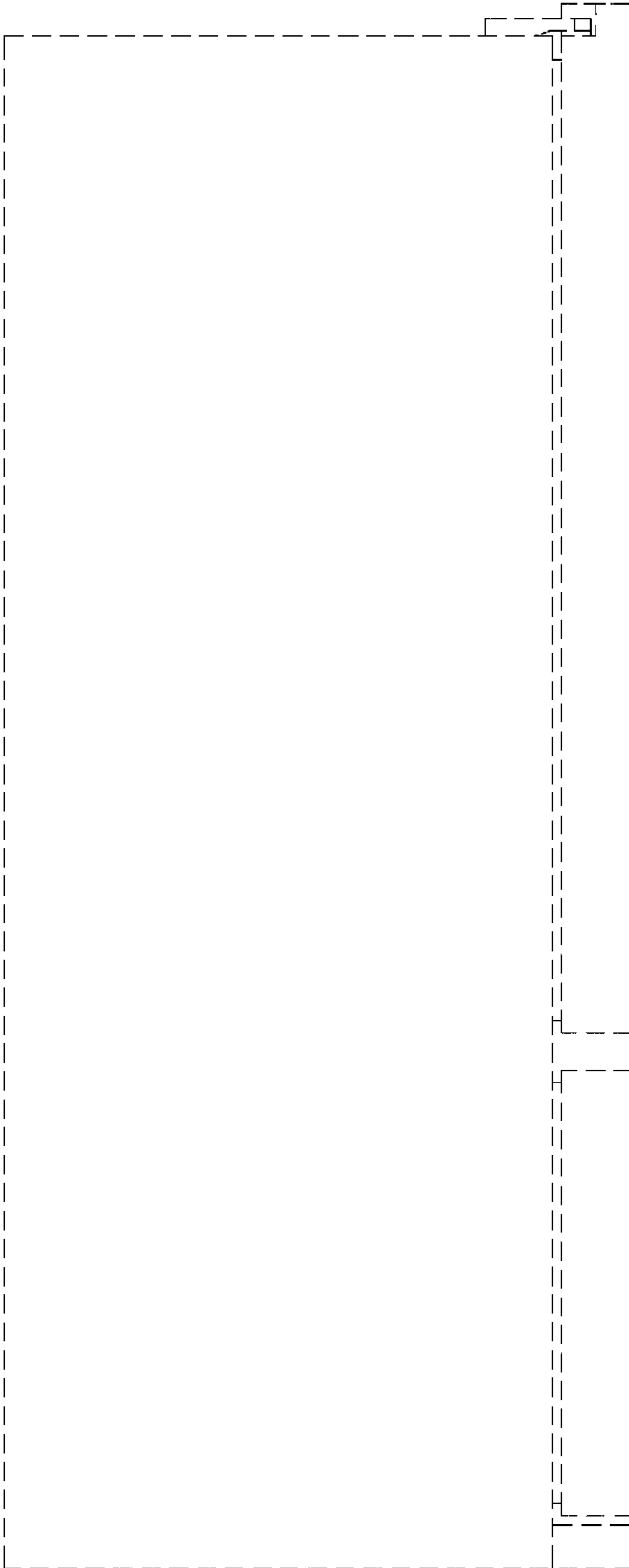


FIG. 5



FIG. 6

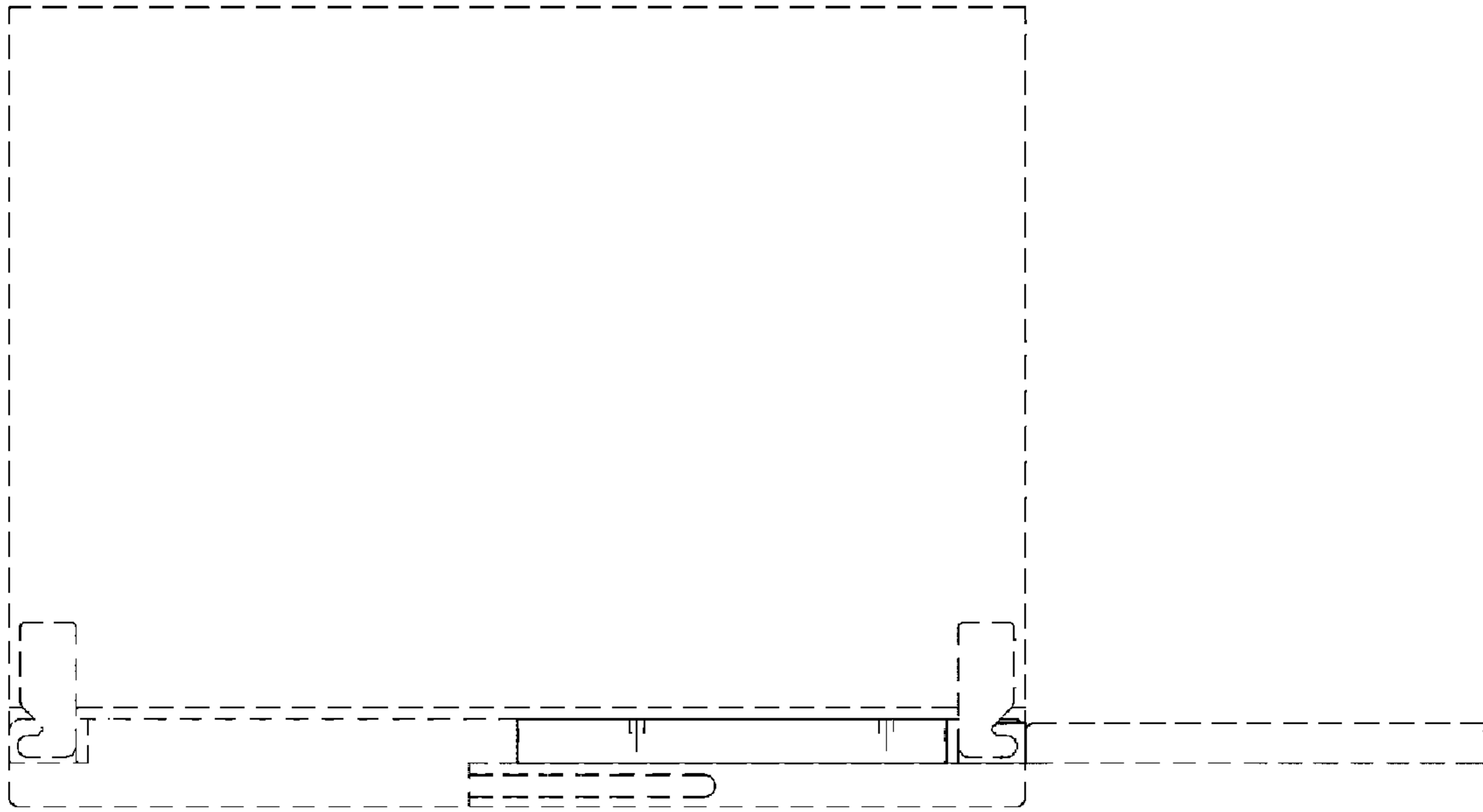


FIG. 7

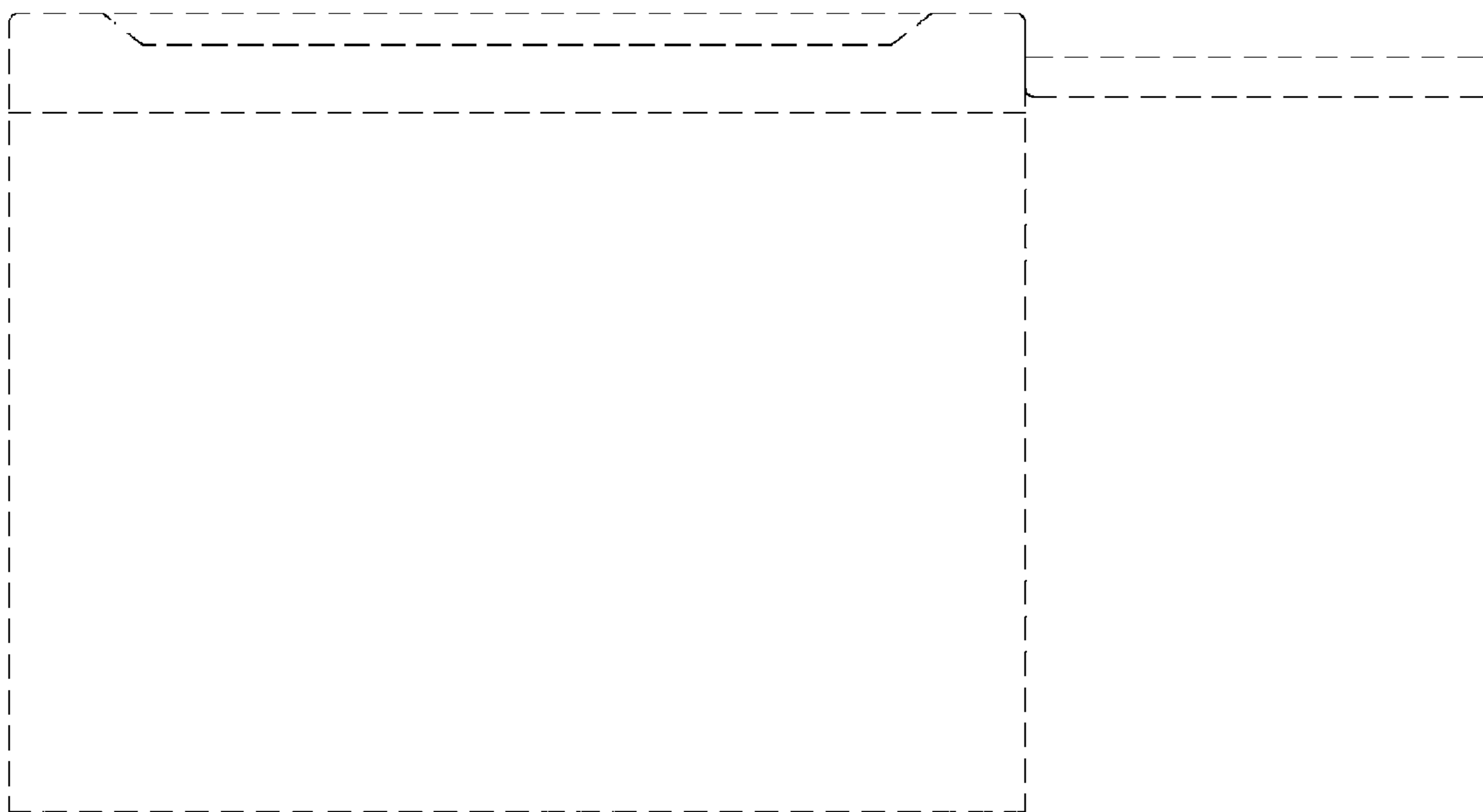


FIG. 8

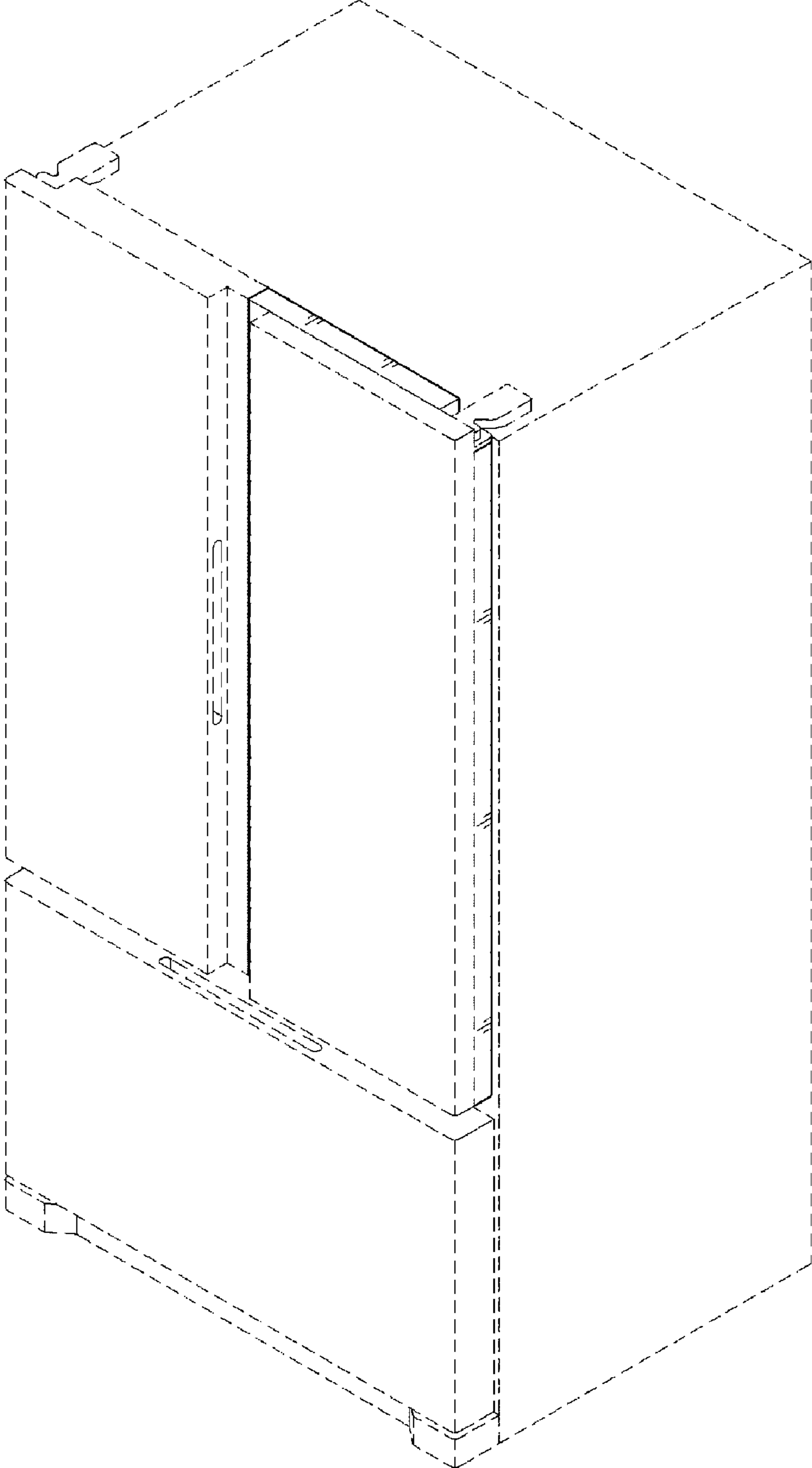


FIG. 9

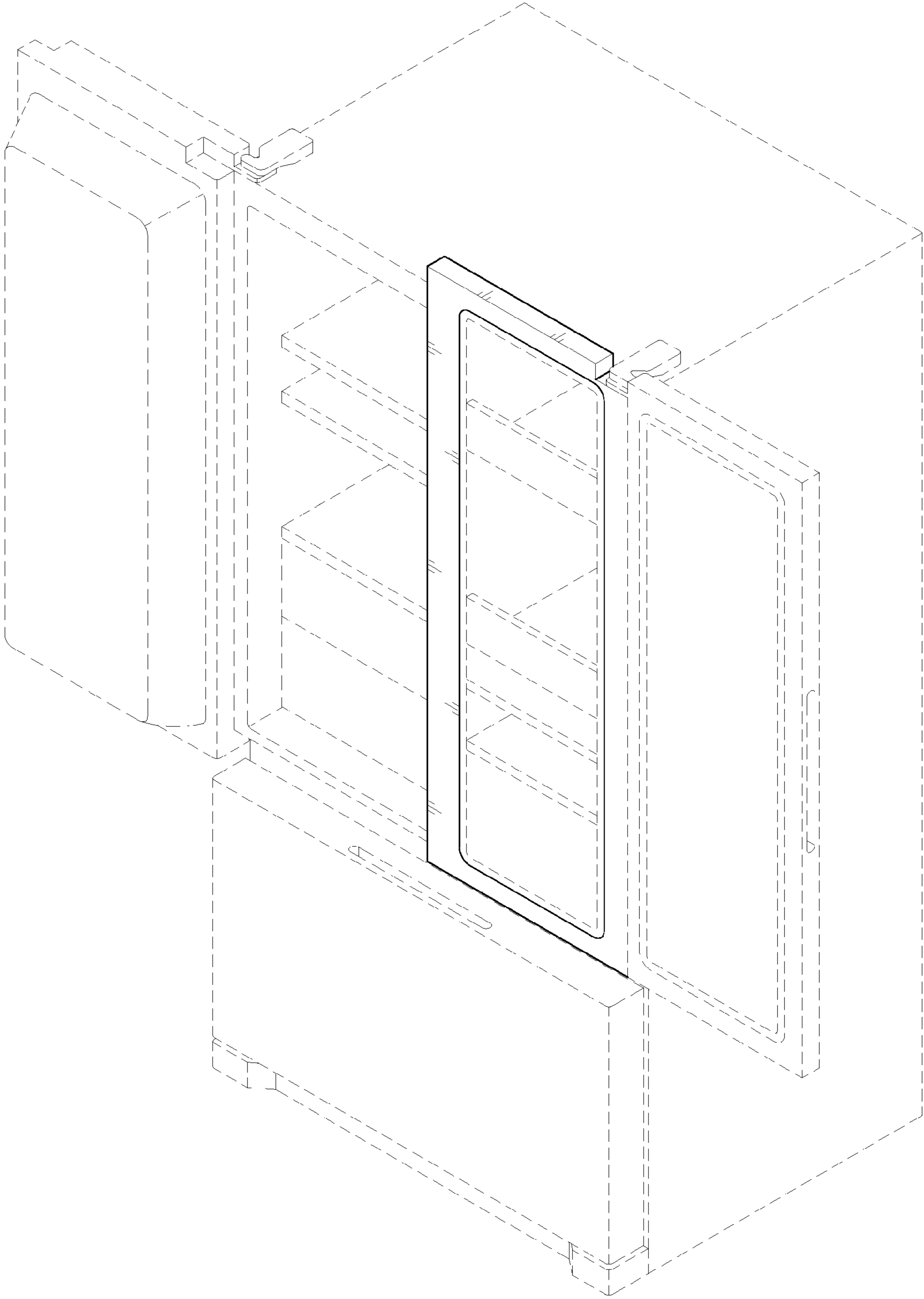


FIG. 10

