

US00D646306S

(12) **United States Design Patent**  
**Bradley et al.**

(10) **Patent No.:** **US D646,306 S**

(45) **Date of Patent:** **\*\* Oct. 4, 2011**

(54) **EQUIPMENT BOOM**

(75) Inventors: **Nathan Bradley**, Muscatine, IA (US);  
**Matthew Wagenbach**, Burlington, IA  
(US); **Daniel Morrow**, Burlington, IA  
(US); **Carl Hagele**, Chicago, IL (US)

(73) Assignee: **CNH America LLC**, New Holland, PA  
(US)

(\*\*) Term: **14 Years**

(21) Appl. No.: **29/386,010**

(22) Filed: **Feb. 23, 2011**

(51) **LOC (9) Cl.** ..... **15-03**

(52) **U.S. Cl.** ..... **D15/32; D15/28**

(58) **Field of Classification Search** ..... D15/10,  
D15/22-26, 28, 29, 32; 414/686, 694, 722,  
414/718, 815, 723, 685; 37/341, 407  
See application file for complete search history.

(56) **References Cited**

**U.S. PATENT DOCUMENTS**

3,283,928	A *	11/1966	De Bosredon	.....	414/694
3,313,431	A *	4/1967	Kelly	.....	414/694
3,747,472	A *	7/1973	Knutson	.....	91/384
4,576,543	A *	3/1986	Kuchyt et al.	.....	414/722
5,054,990	A *	10/1991	Schaeff	.....	414/694
D339,813	S	9/1993	Houkom		
5,531,561	A *	7/1996	Rae et al.	.....	414/686
5,544,435	A *	8/1996	Somero	.....	37/405
5,606,809	A *	3/1997	Allen	.....	37/443
D410,240	S *	5/1999	Sasaki	.....	D15/32
D431,575	S	10/2000	Park		
D451,105	S *	11/2001	Masumoto et al.	.....	D15/28
D533,883	S *	12/2006	Higashikawa et al.	.....	D15/32
D535,667	S *	1/2007	Higashikawa et al.	.....	D15/32
D540,829	S	4/2007	Johnson et al.		

7,549,242	B2	6/2009	Schmeling et al.		
D595,746	S *	7/2009	Iida et al.	.....	D15/32
D598,031	S *	8/2009	Smith et al.	.....	D15/28
D610,172	S *	2/2010	Yukino et al.	.....	D15/32
7,681,686	B1	3/2010	Klas et al.		
7,735,530	B1 *	6/2010	Riha et al.	.....	144/4.1
D628,599	S	12/2010	Major		
D629,017	S	12/2010	Major		
D629,019	S *	12/2010	Major	.....	D15/32
7,873,455	B2	1/2011	Arshad et al.		
2003/0118432	A1 *	6/2003	Lee	.....	414/722
2004/0000077	A1 *	1/2004	Fatemi	.....	37/468
2006/0107557	A1 *	5/2006	Fatemi	.....	37/466
2006/0254096	A1 *	11/2006	Poire	.....	37/468
2010/0119344	A1 *	5/2010	Nabata et al.	.....	414/722
2011/0064552	A1 *	3/2011	Kuraya et al.	.....	414/685

\* cited by examiner

*Primary Examiner* — Mark Goodwin

(74) *Attorney, Agent, or Firm* — Patrick M. Sheldrake;  
Michael G. Harms

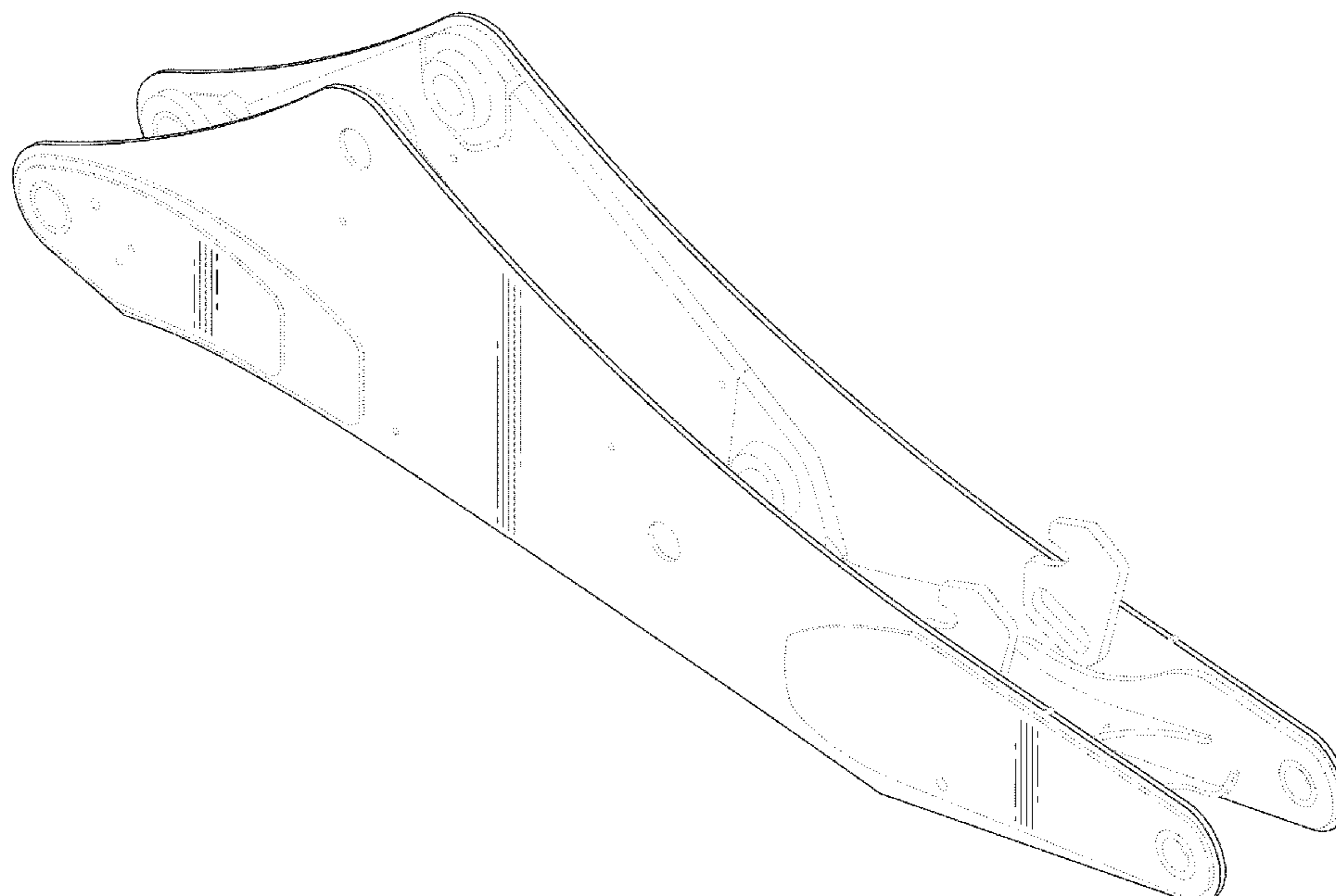
(57) **CLAIM**

We claim the ornamental design for the equipment boom, as shown and described.

**DESCRIPTION**

FIG. 1 is a front perspective view of an equipment boom showing our new design; FIG. 2 is a front view thereof; FIG. 3 is a rear view thereof; FIG. 4 is a side view thereof, the opposite side view being identical thereto; FIG. 5 is a top view thereof; FIG. 6 is a bottom view thereof; and, FIG. 7 is a side view thereof shown in use condition. The broken lines are for illustrative purposes only and show unclaimed environmental subject matter.

**1 Claim, 4 Drawing Sheets**



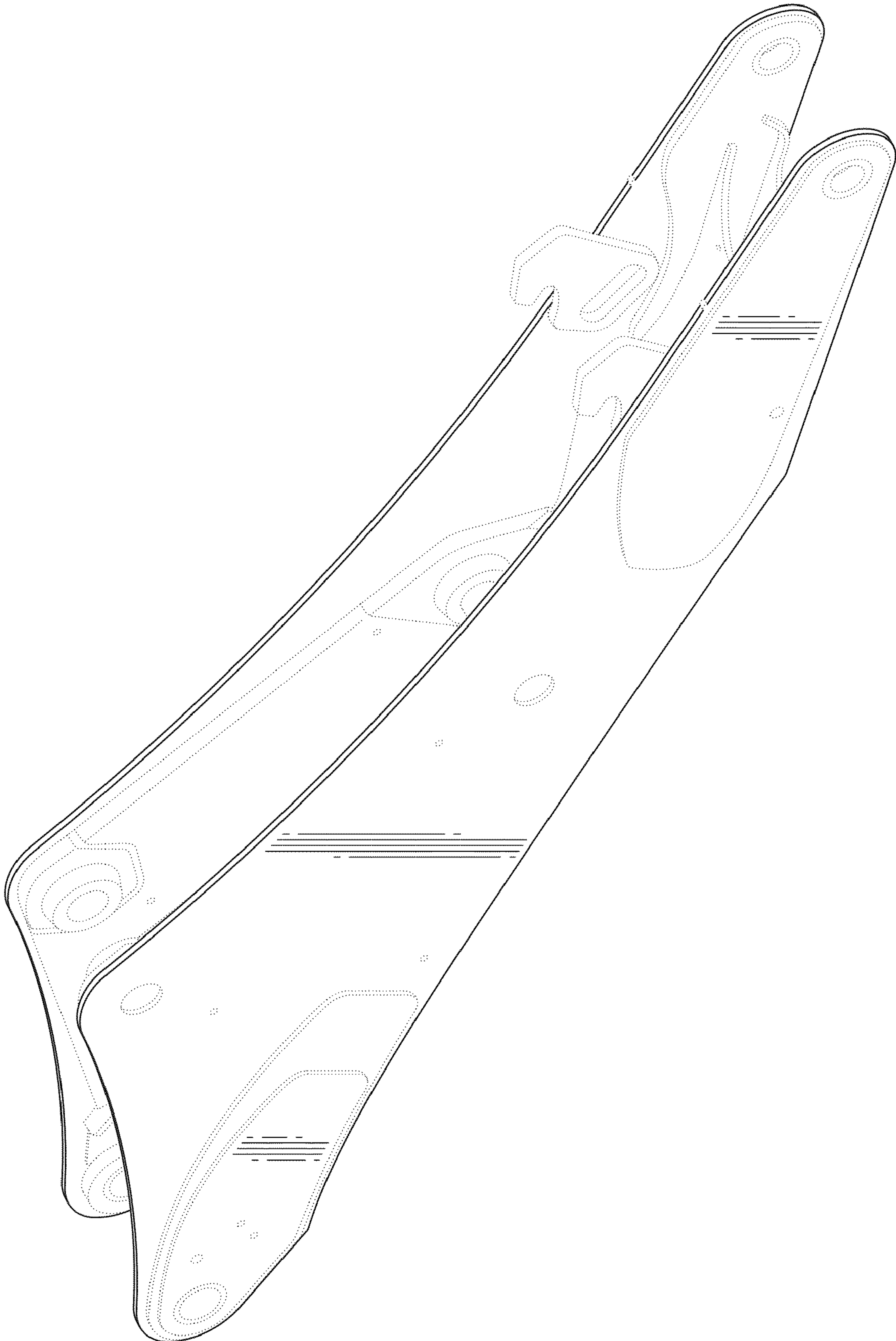
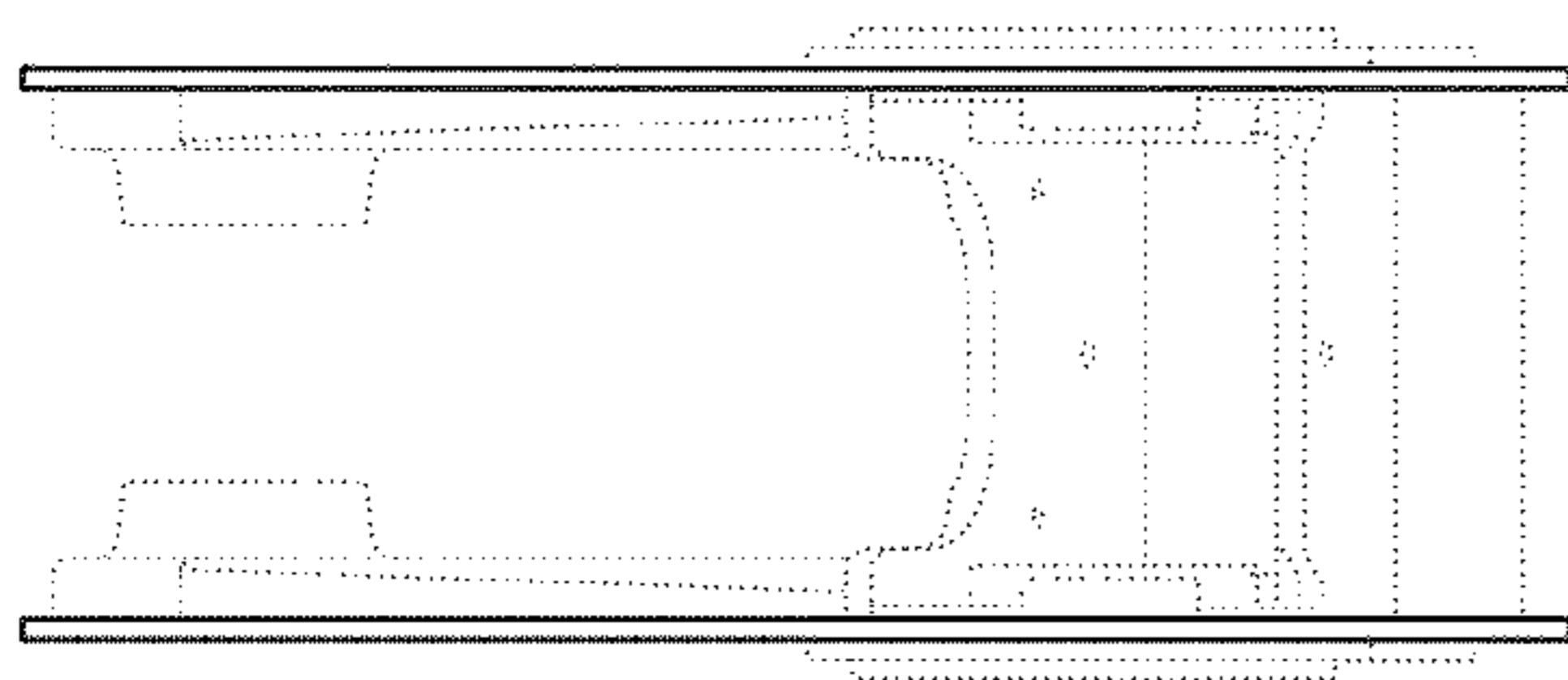
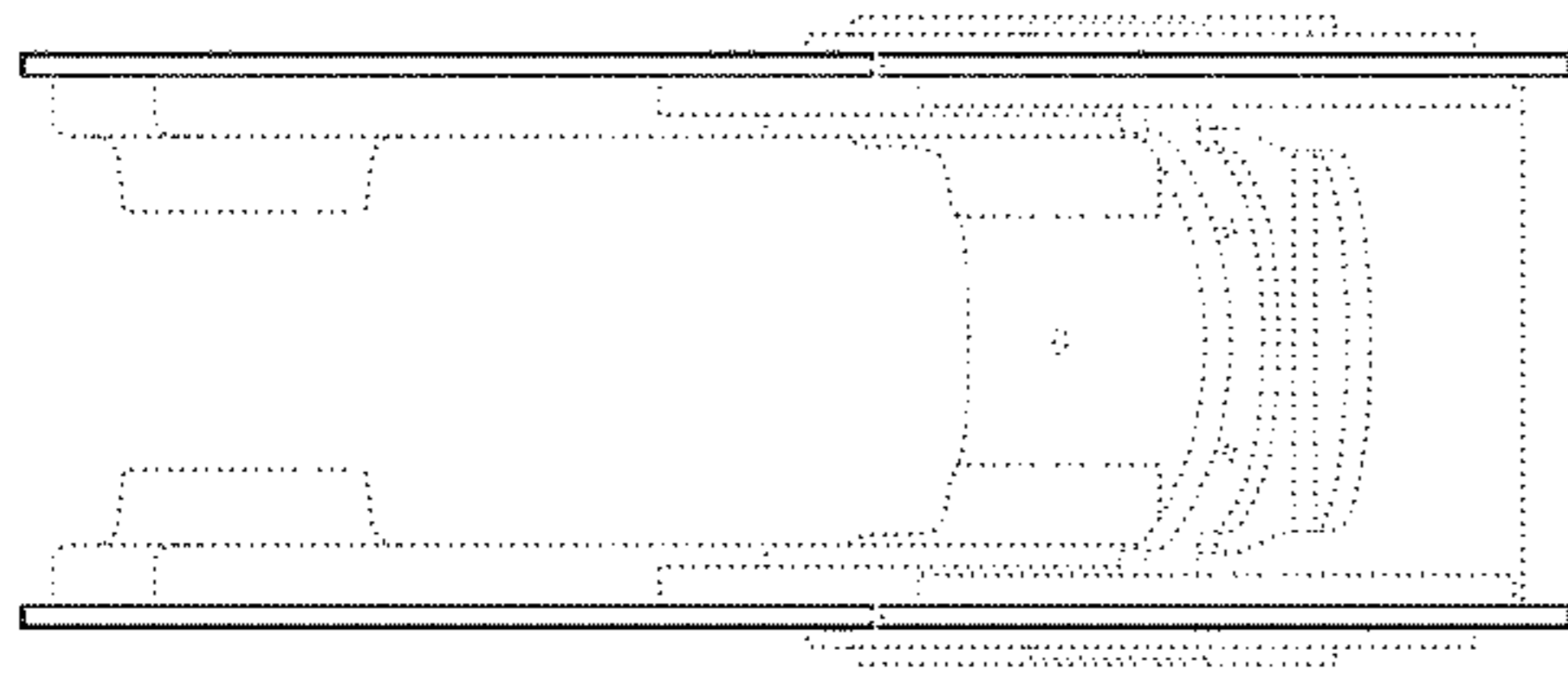


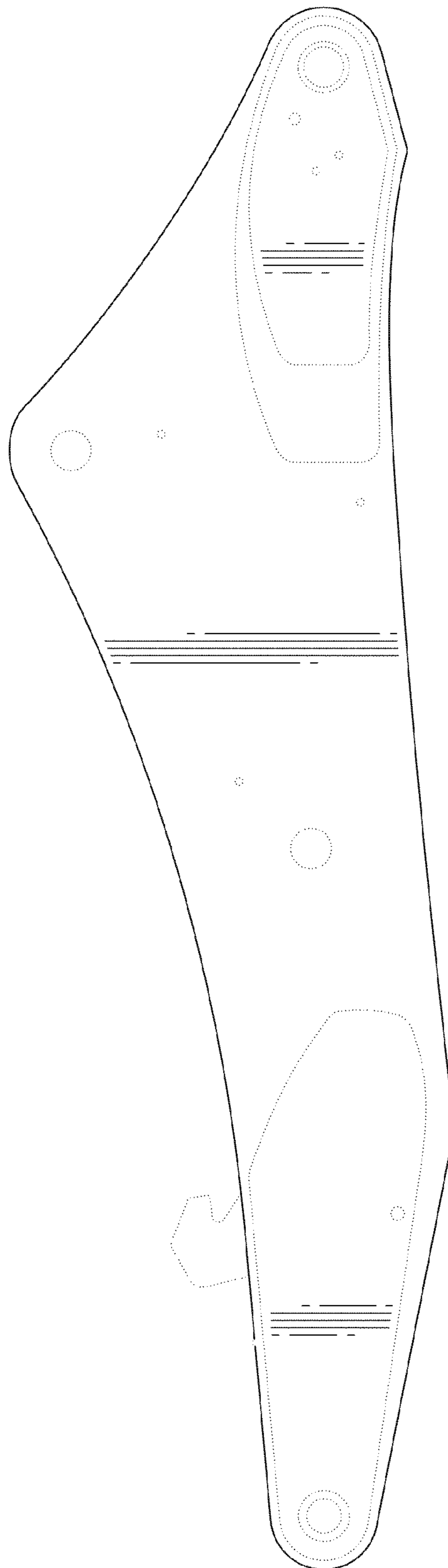
FIG. 1



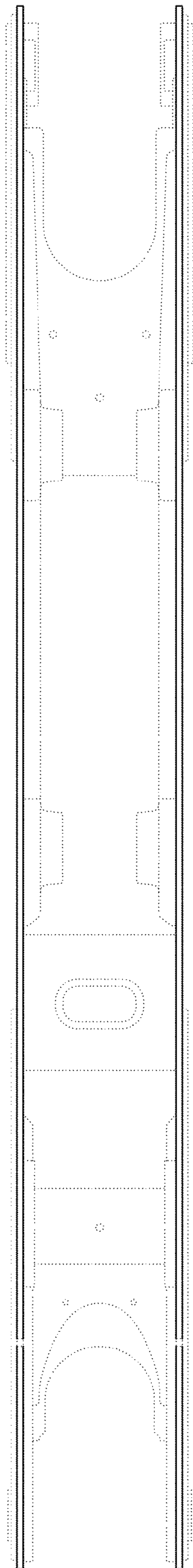
**FIG. 2**



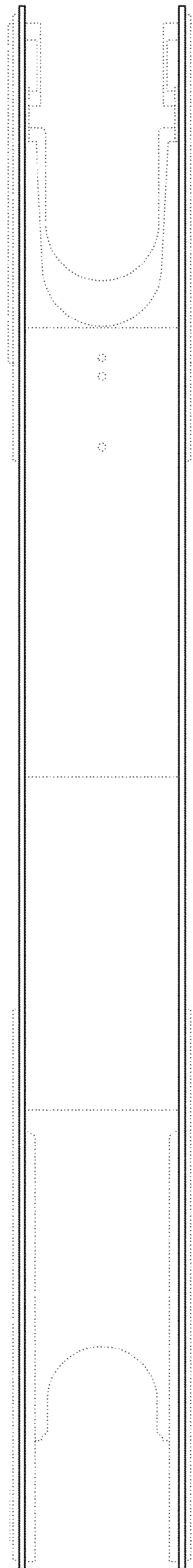
**FIG. 3**



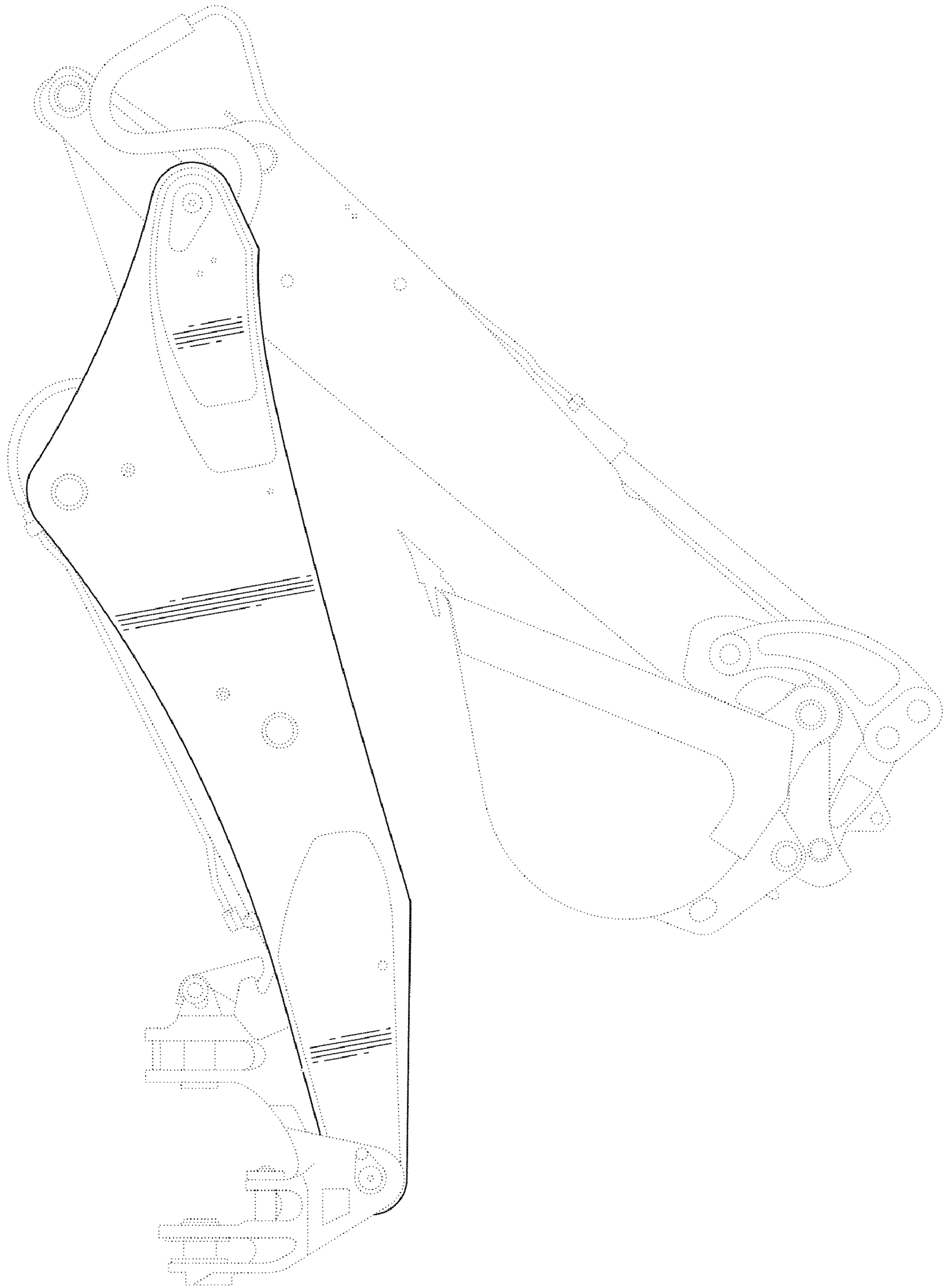
**FIG. 4**



**FIG. 5**



**FIG. 6**



**FIG. 7**