

US00D646305S

(12) **United States Design Patent**  
**Krogh et al.**

(10) **Patent No.:** **US D646,305 S**  
(45) **Date of Patent:** **\*\* Oct. 4, 2011**

(54) **FRONT GRILL AND LIGHTS ASSEMBLY**

(75) Inventors: **Ryan M. Krogh**, Cedar Falls, IA (US);  
**James W. Wienkes**, Dike, IA (US);  
**Matthew T. Miller**, Dike, IA (US);  
**William E. Crookes**, Ann Arbor, MI (US)

(73) Assignee: **Deere & Company**, Moline, IL (US)

(\*\*) Term: **14 Years**

(21) Appl. No.: **29/388,448**

(22) Filed: **Mar. 29, 2011**

(51) **LOC (9) Cl.** ..... **15-03**

(52) **U.S. Cl.** ..... **D15/31**

(58) **Field of Classification Search** ..... D15/10,  
D15/11, 28, 22-26, 30, 31, 33; D12/163,  
D12/166, 170-172; 180/89.1, 89.12, 900,  
180/68.4, 69.2; 293/115

See application file for complete search history.

(56) **References Cited**

**U.S. PATENT DOCUMENTS**

D483,383 S *	12/2003	Crookes et al.	.....	D15/31
D495,344 S *	8/2004	Farlow et al.	.....	D15/31
D495,345 S *	8/2004	Farlow et al.	.....	D15/31
D511,175 S *	11/2005	Staines et al.	.....	D15/31
D512,079 S *	11/2005	Farlow et al.	.....	D15/31
D512,445 S *	12/2005	Farlow et al.	.....	D15/31
D521,532 S *	5/2006	Higashikawa	.....	D15/31

D527,742 S *	9/2006	Kuwaie	.....	D15/31
D537,090 S *	2/2007	Kuwaie	.....	D15/31
D546,351 S *	7/2007	Arthur et al.	.....	D15/31
D560,692 S *	1/2008	Moen et al.	.....	D15/31
D581,955 S *	12/2008	Matsumoto et al.	.....	D15/31
D586,828 S *	2/2009	Staines et al.	.....	D15/31
D591,777 S *	5/2009	Kokitkar et al.	.....	D15/31
D602,507 S *	10/2009	Kushita	.....	D15/31
D605,669 S *	12/2009	Matsumoto et al.	.....	D15/31
D620,503 S *	7/2010	Krogh et al.	.....	D15/31
D624,944 S *	10/2010	Major	.....	D15/31
D624,945 S *	10/2010	Major	.....	D15/31
D631,489 S *	1/2011	Booth et al.	.....	D15/31
D632,312 S *	2/2011	Booth et al.	.....	D15/31

\* cited by examiner

*Primary Examiner* — Mark Goodwin

(57) **CLAIM**

The ornamental design for a front grill and lights assembly, as shown and described.

**DESCRIPTION**

FIG. 1 is a top front left perspective view of a front grill and lights assembly showing our new design.

FIG. 2 is a front view thereof.

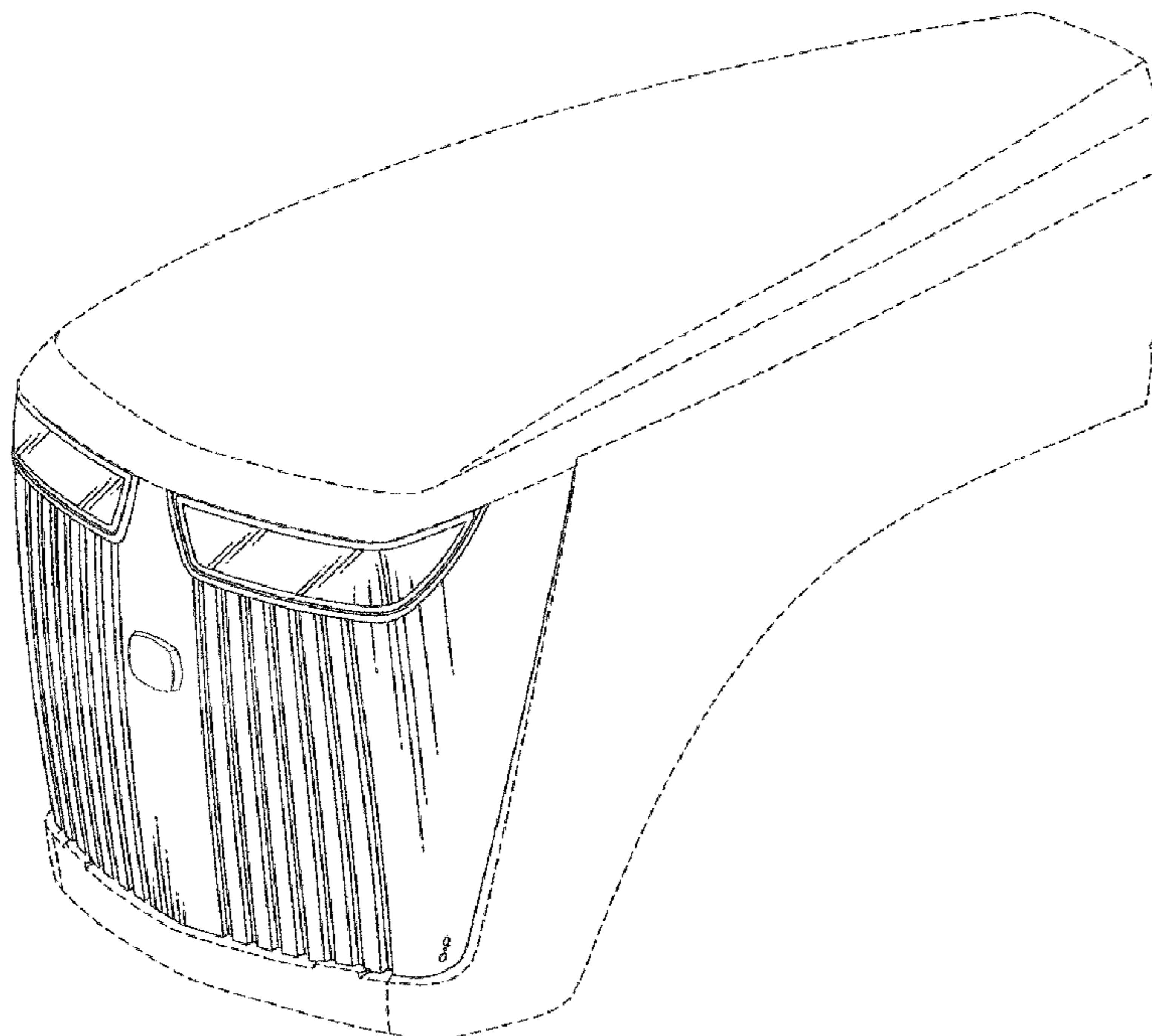
FIG. 3 is a left side view thereof.

FIG. 4 is a right side view thereof; and,

FIG. 5 is a bottom view thereof.

The broken line showing of a hood is included for the purpose of illustrating environmental structure only and forms no part of the claimed design.

**1 Claim, 5 Drawing Sheets**



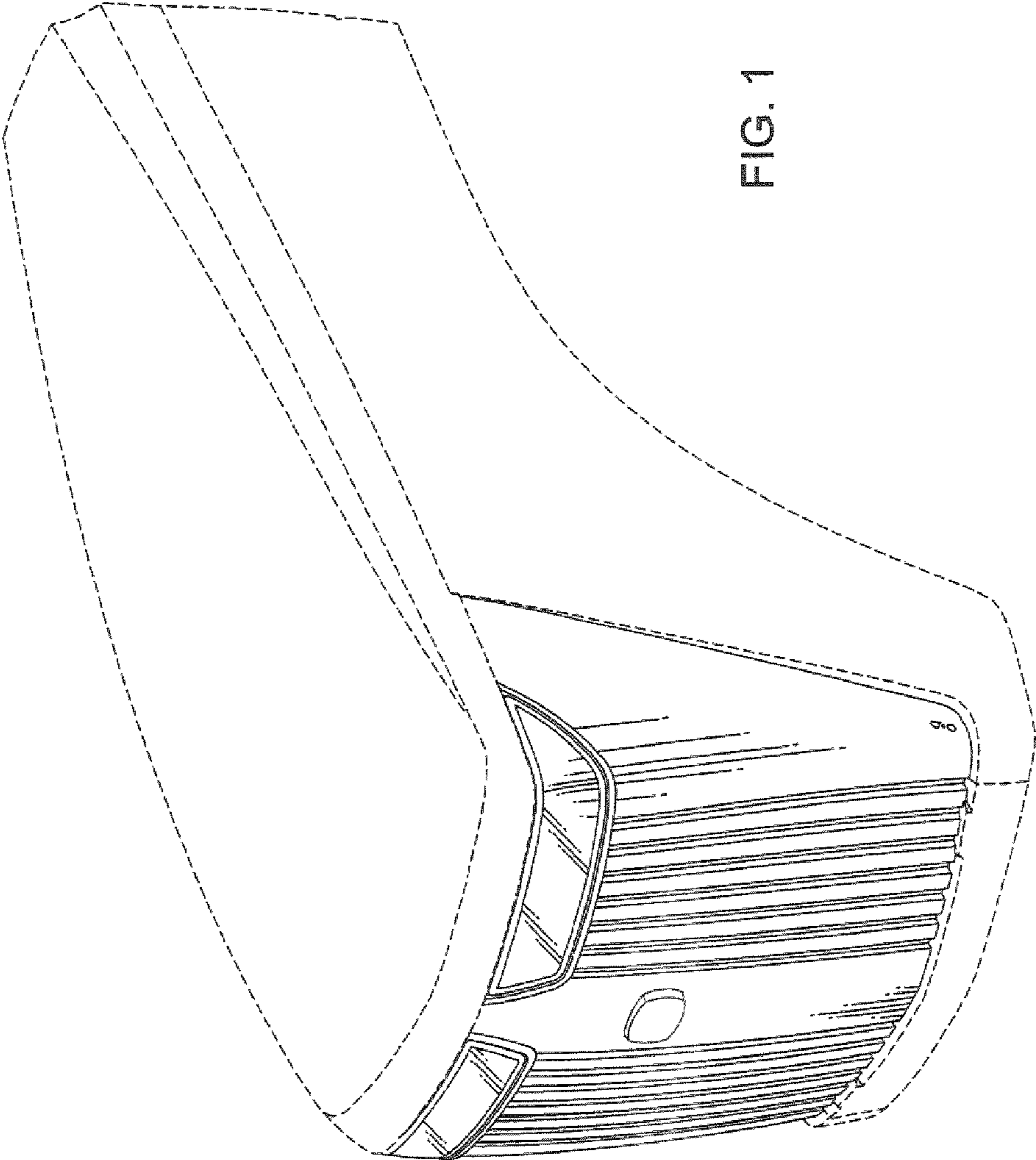
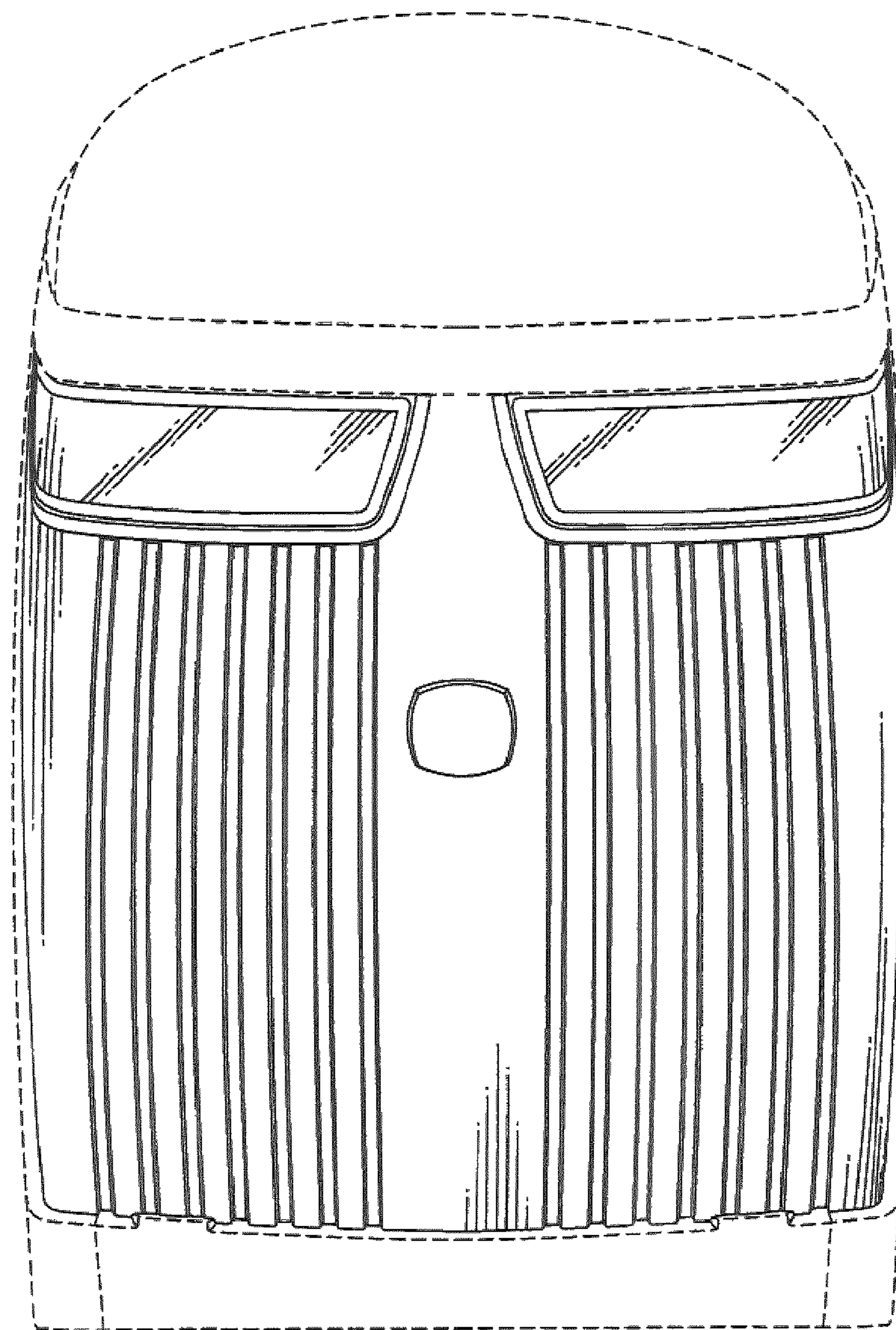


FIG. 1

FIG. 2



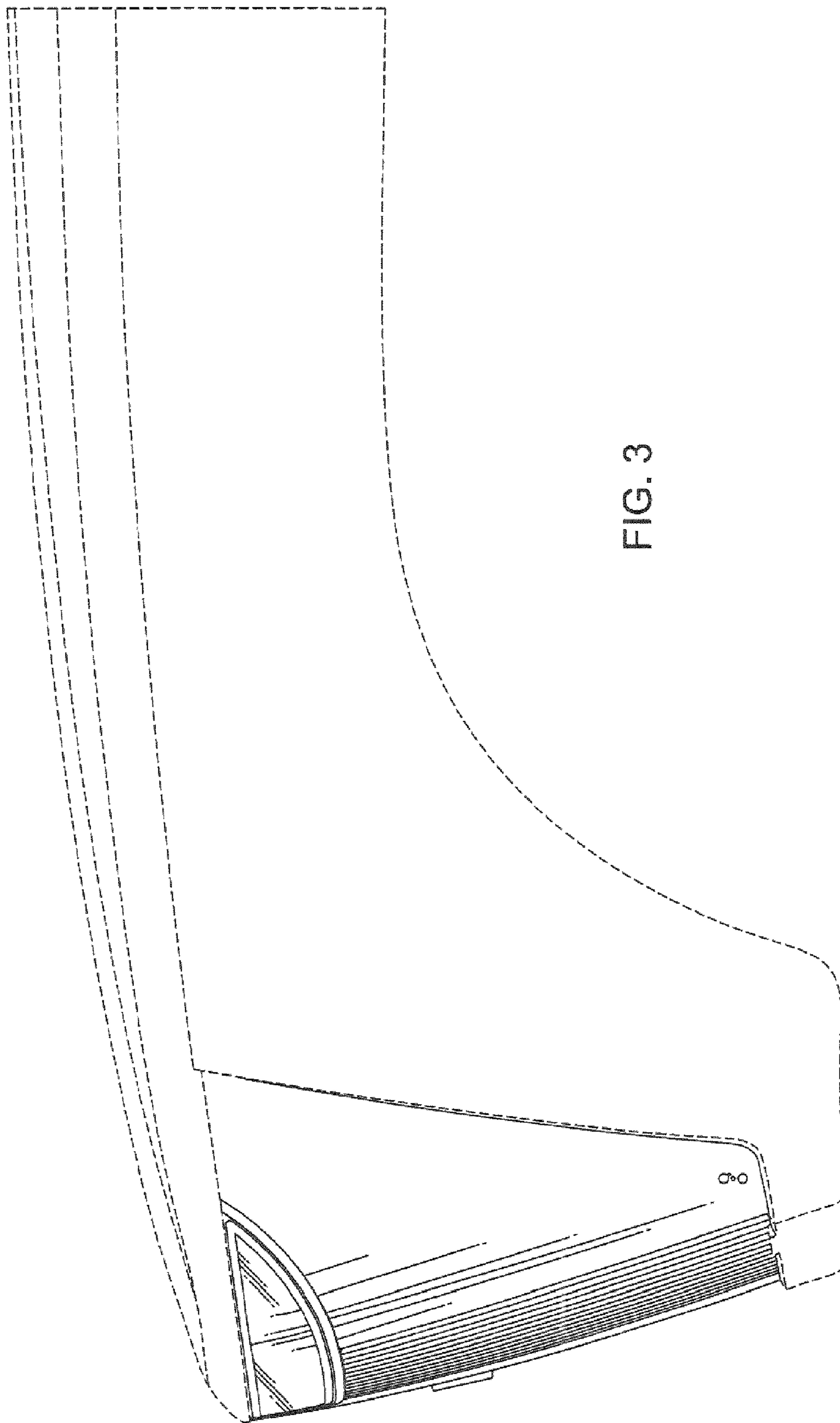


FIG. 3

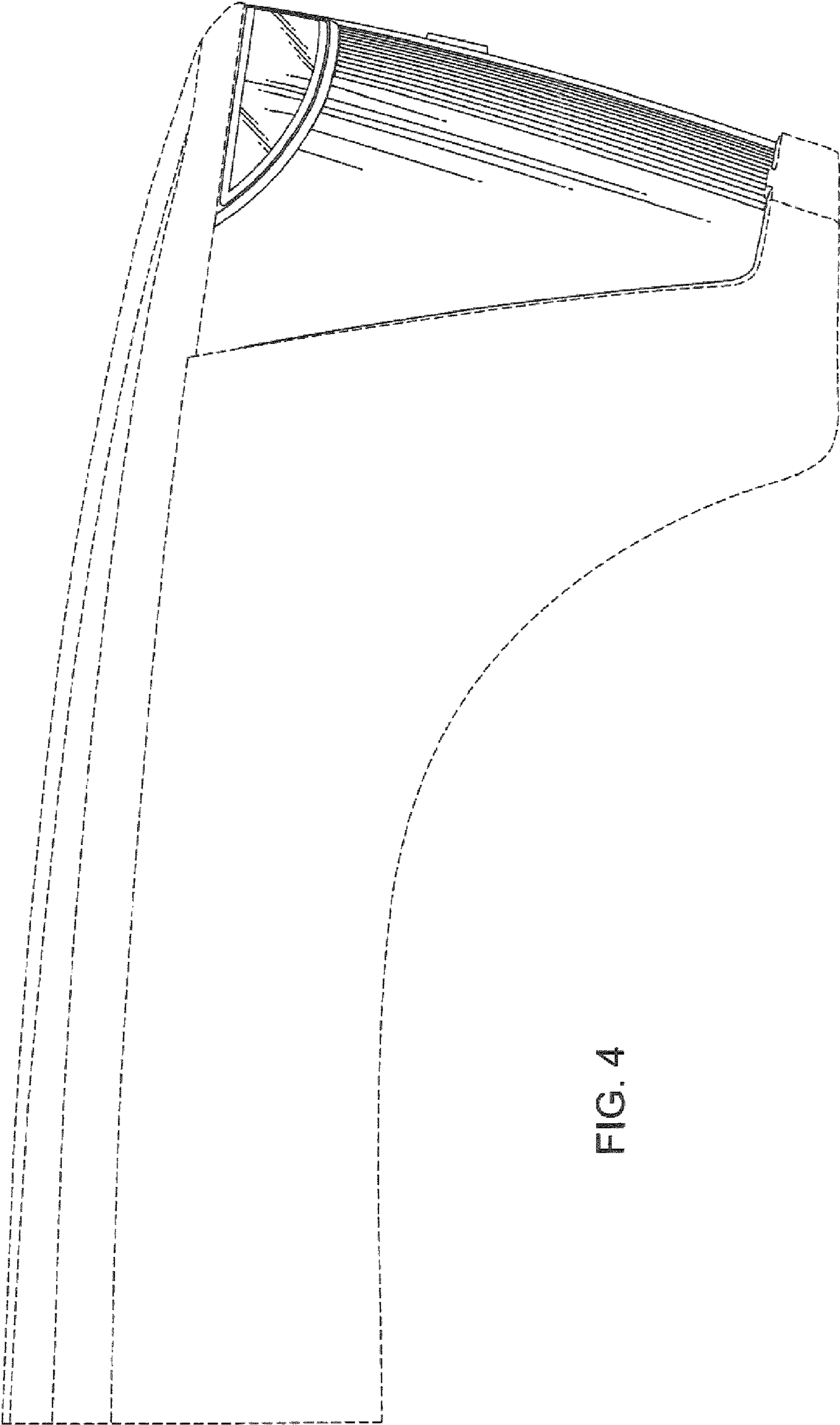


FIG. 4

FIG. 5

