



US00D646304S

(12) **United States Design Patent**  
**Pickett et al.**

(10) **Patent No.:** **US D646,304 S**

(45) **Date of Patent:** **\*\* Oct. 4, 2011**

(54) **RACK-LIKE TOOL CARRIER FOR USE ON A COMPACT TRACTOR**

(76) Inventors: **Donald Pickett**, Cobleskill, NY (US);  
**Paul Pickett**, Rockville Centre, NY (US)

(\*\*) Term: **14 Years**

(21) Appl. No.: **29/391,295**

(22) Filed: **May 5, 2011**

(51) **LOC (9) Cl.** ..... **15-03**

(52) **U.S. Cl.** ..... **D15/28**

(58) **Field of Classification Search** ..... D15/28,  
D15/11, 17, 130, 132, 138, 139, 140, 141;  
D8/71, 14, 70, 72, 73, 74, 349, 354, 373,  
D8/395; D6/553; 224/410; 248/127, 146,  
248/156; 172/762, 311, 2, 830; 206/349;  
211/70.1, 70.6

See application file for complete search history.

(56) **References Cited**

**U.S. PATENT DOCUMENTS**

2,618,509	A *	11/1952	Carlson	.....	239/168
4,126,189	A	11/1978	Channel		
4,467,925	A *	8/1984	Ratzloff et al.	.....	211/70.6
D377,310	S	1/1997	Crump, Jr.		
5,704,496	A *	1/1998	Latta	.....	211/70.6

D396,159	S *	7/1998	Anderson et al.	.....	D6/553
6,571,966	B1 *	6/2003	Hsiao	.....	211/70.6
D492,701	S *	7/2004	DeShong	.....	D15/17
6,769,553	B1 *	8/2004	Hurt	.....	211/70.6
D495,878	S *	9/2004	Greene	.....	D3/274
D515,897	S	2/2006	Greene		
D616,904	S *	6/2010	Armstrong	.....	D15/17
2002/0084085	A1	7/2002	Pellenc et al.		
2005/0145587	A1	7/2005	Matthews		
2008/0006415	A1	1/2008	Pellenc et al.		

\* cited by examiner

*Primary Examiner* — Mark Goodwin

(57) **CLAIM**

We claim the ornamental design for a rack-like tool carrier for use on a compact tractor, as shown and described.

**DESCRIPTION**

FIG. 1 is a front, top and side perspective view of the rack-like tool carrier for use on a compact tractor embodying the design of the present invention.

FIG. 2 is a side elevational view thereof.

FIG. 3 is a side elevational view thereof.

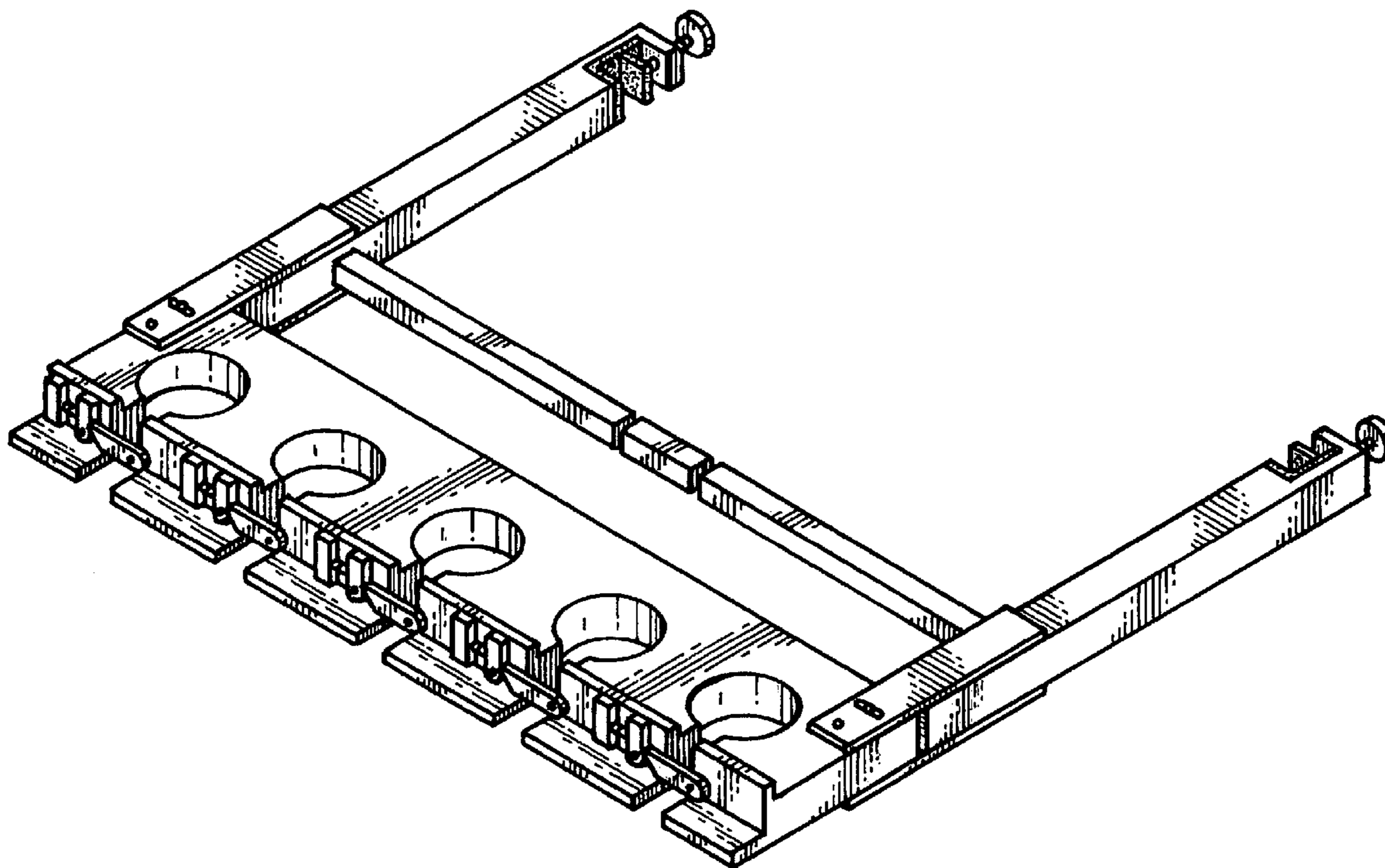
FIG. 4 is a front elevational view thereof.

FIG. 5 is a rear elevational view thereof.

FIG. 6 is a top plan view thereof; and,

FIG. 7 is a bottom plan view thereof.

**1 Claim, 4 Drawing Sheets**



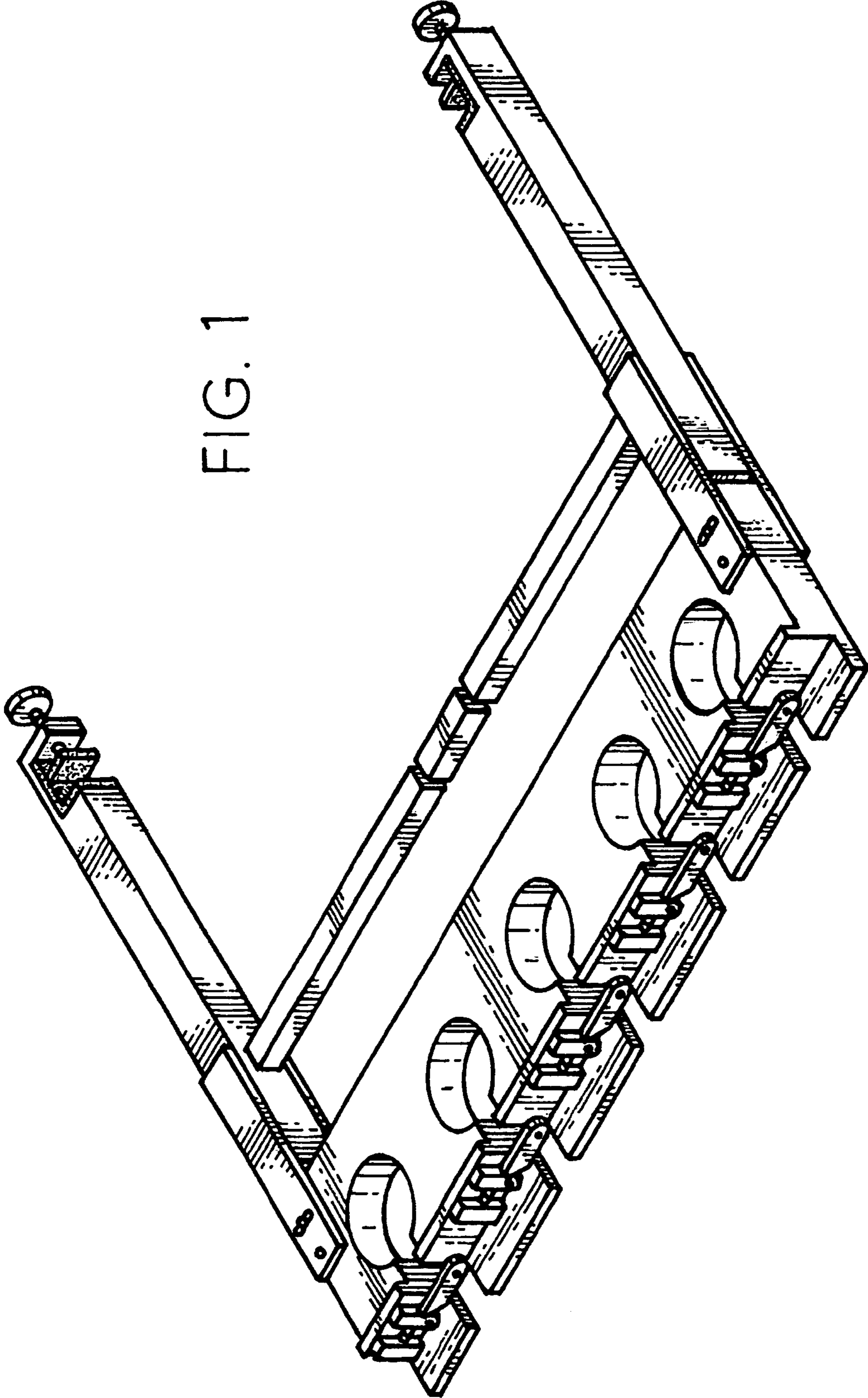


FIG. 1

FIG. 2



FIG. 3

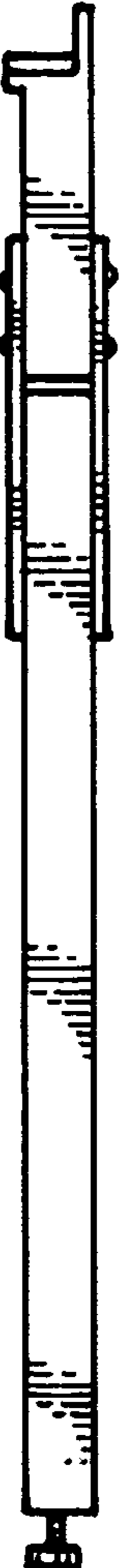


FIG. 4



FIG. 5



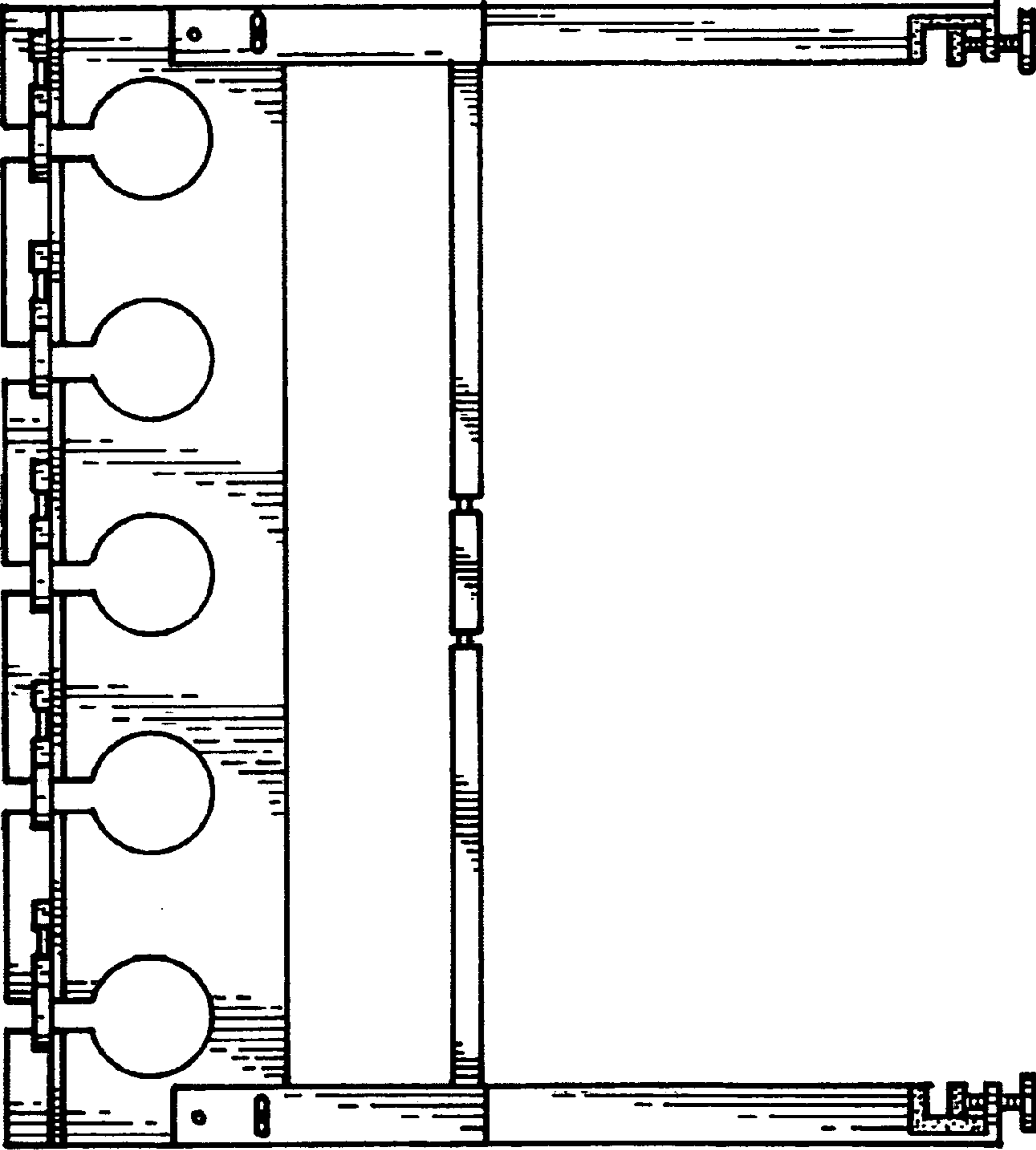


FIG. 6

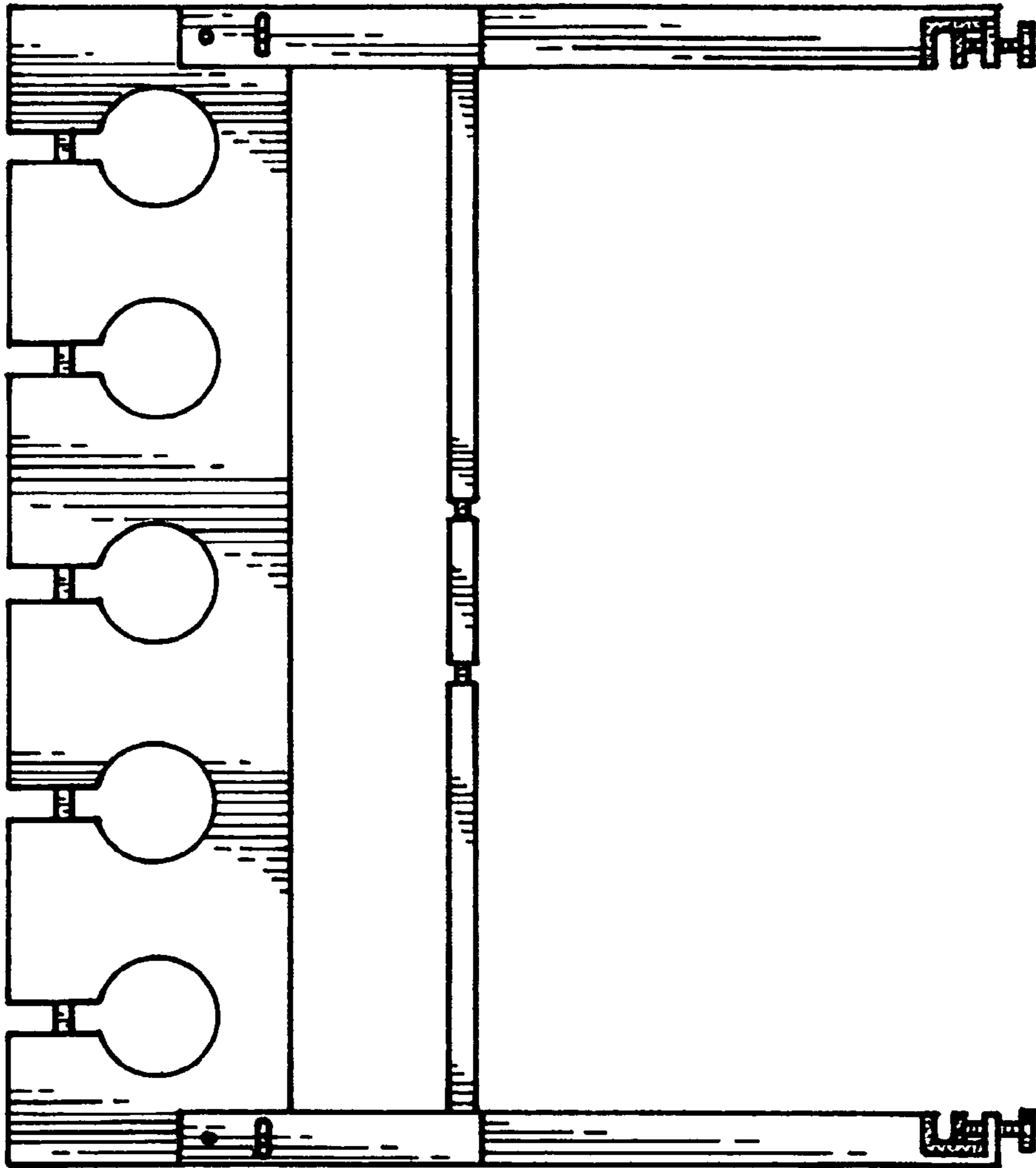


FIG. 7