



US00D646302S

(12) **United States Design Patent**  
**Lanting et al.**

(10) **Patent No.:** **US D646,302 S**

(45) **Date of Patent:** **\*\* Oct. 4, 2011**

- (54) **LOADER BOOM KNEE CASTING**
- (75) Inventors: **Henry A. Lanting**, Dunnville (CA);  
**Radu T Guja**, Welland (CA); **Scott R. Jamieson**, Welland (CA)
- (73) Assignee: **Deere & Comapny**, Moline, IL (US)
- (\*\*) Term: **14 Years**
- (21) Appl. No.: **29/362,709**
- (22) Filed: **May 28, 2010**
- (51) **LOC (9) Cl.** ..... **15-03**
- (52) **U.S. Cl.** ..... **D15/28**
- (58) **Field of Classification Search** ..... D15/10,  
D15/22-26, 28, 29, 32; 414/686, 694, 722,  
414/718, 815, 723, 685; 37/341, 407  
See application file for complete search history.

6,851,886	B2 *	2/2005	Anderson	.....	403/355
D528,569	S *	9/2006	Nilsson	.....	D15/32
D533,883	S *	12/2006	Higashikawa et al.	.....	D15/32
D535,667	S *	1/2007	Higashikawa et al.	.....	D15/32
7,168,907	B2 *	1/2007	Lyons et al.	.....	414/686
7,354,237	B2 *	4/2008	Frey	.....	414/686
D584,749	S *	1/2009	Smith et al.	.....	D15/28
D595,746	S *	7/2009	Iida et al.	.....	D15/32
D598,031	S *	8/2009	Smith et al.	.....	D15/28
7,568,878	B2 *	8/2009	Frey	.....	414/686
D610,172	S *	2/2010	Yukino et al.	.....	D15/32
7,735,530	B1 *	6/2010	Riha et al.	.....	144/4.1
D628,604	S *	12/2010	Major	.....	D15/32
D629,019	S *	12/2010	Major	.....	D15/32
2003/0118432	A1 *	6/2003	Lee	.....	414/722
2004/0000077	A1 *	1/2004	Fatemi	.....	37/466
2004/0170472	A1 *	9/2004	Anderson	.....	403/355
2006/0107557	A1 *	5/2006	Fatemi	.....	37/466
2006/0254096	A1 *	11/2006	Poire	.....	37/468
2007/0020078	A1 *	1/2007	Frey	.....	414/686

(Continued)

Primary Examiner — Mark Goodwin

(56) **References Cited**

U.S. PATENT DOCUMENTS

3,283,928	A *	11/1966	De Bosredon	.....	414/694
3,313,431	A *	4/1967	Kelly	.....	414/694
D214,833	S *	8/1969	Glommen	.....	D15/32
3,747,472	A *	7/1973	Knutson	.....	91/384
4,538,955	A *	9/1985	Langenfeld et al.	.....	414/686
4,576,543	A *	3/1986	Kuchyt et al.	.....	414/722
4,798,512	A *	1/1989	Intveld	.....	414/722
D319,448	S *	8/1991	Ball et al.	.....	D15/32
5,054,990	A *	10/1991	Schaeff	.....	414/694
5,125,787	A *	6/1992	Ball et al.	.....	414/722
D339,813	S *	9/1993	Houkom	.....	D15/32
5,531,561	A *	7/1996	Rae et al.	.....	414/686
5,544,435	A *	8/1996	Somero	.....	37/405
5,606,809	A *	3/1997	Allen	.....	37/443
D410,240	S *	5/1999	Sasaki	.....	D15/32
D412,913	S *	8/1999	Sasaki	.....	D15/32
6,106,217	A *	8/2000	Knell	.....	414/722
D449,055	S *	10/2001	Guiet	.....	D15/28
D451,105	S *	11/2001	Masumoto et al.	.....	D15/28
6,386,821	B1 *	5/2002	Schneider	.....	414/686
D459,368	S *	6/2002	Westendorf et al.	.....	D15/32

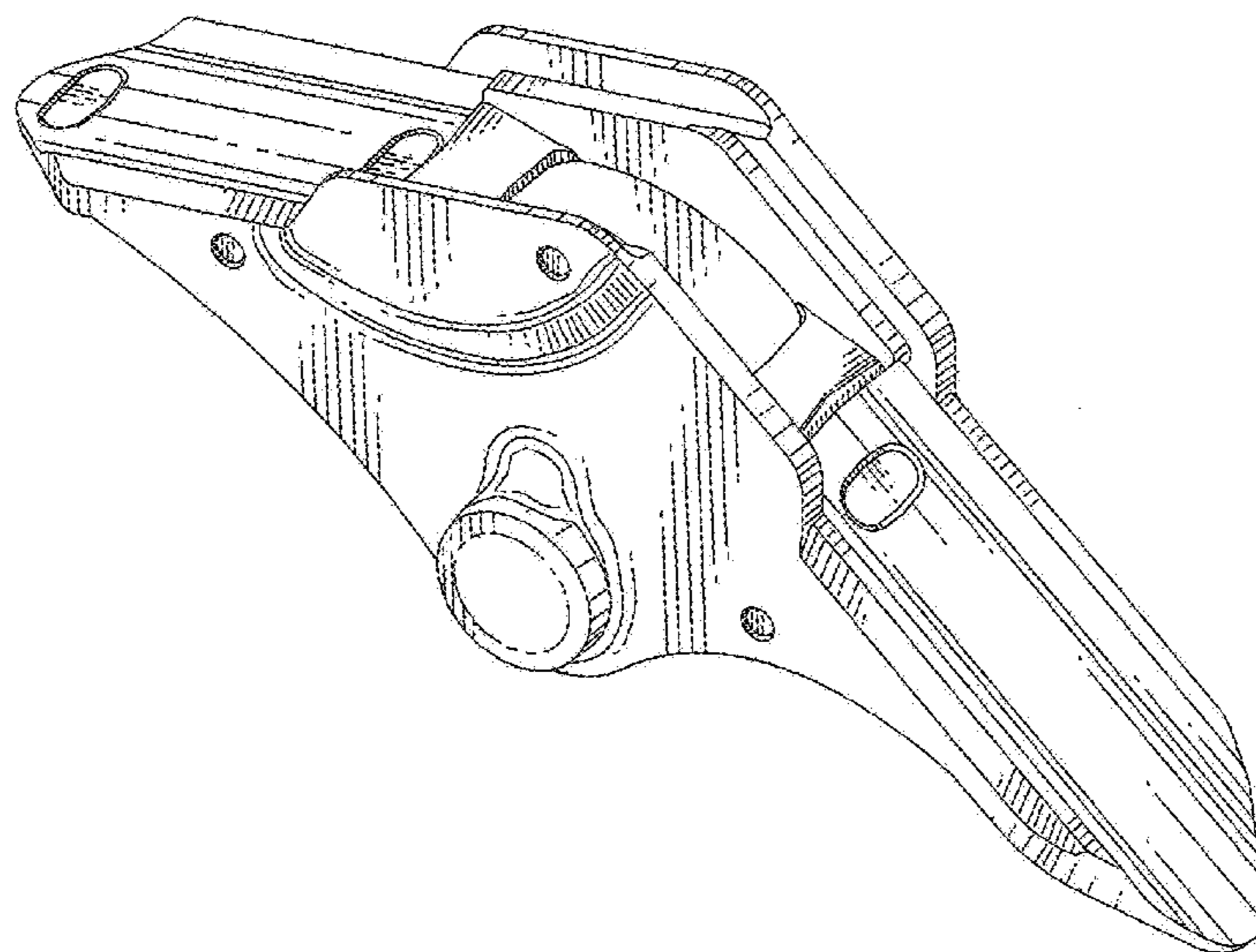
(57) **CLAIM**

The ornamental design for a loader boom knee casting, as shown and described.

**DESCRIPTION**

FIG. 1 is a top perspective view of a loader boom knee casting showing our new design in use condition.  
 FIG. 2 is an enlarged top perspective view thereof.  
 FIG. 3 is a bottom perspective view thereof.  
 FIG. 4 is a top view thereof.  
 FIG. 5 is a left side view thereof.  
 FIG. 6 is a bottom view thereof.  
 FIG. 7 is a right side view thereof; and,  
 FIG. 8 is a rear end view thereof.  
 The broken line showing of a loader boom and an extra loader boom knee casting is included for the purpose of illustrating environmental structure and forms no part of the claimed design.

**1 Claim, 4 Drawing Sheets**



# US D646,302 S

Page 2

---

## U.S. PATENT DOCUMENTS

2007/0031233	A1*	2/2007	Frey .....	414/685	2010/0303541	A1*	12/2010	Okumura et al. ....	403/306
2010/0119344	A1*	5/2010	Nabata et al. ....	414/722	2011/0064552	A1*	3/2011	Kuraya et al. ....	414/685

\* cited by examiner

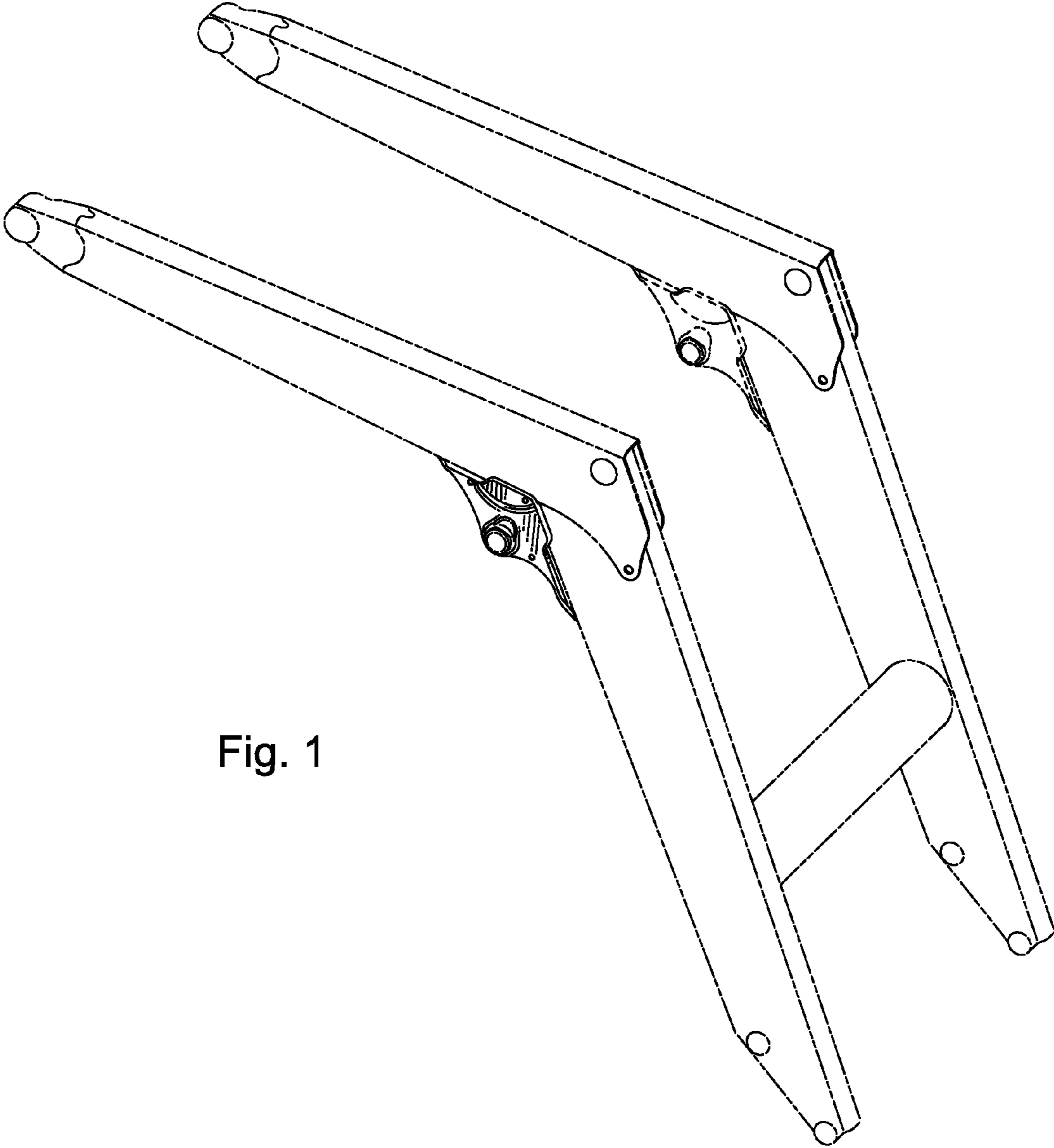


Fig. 1

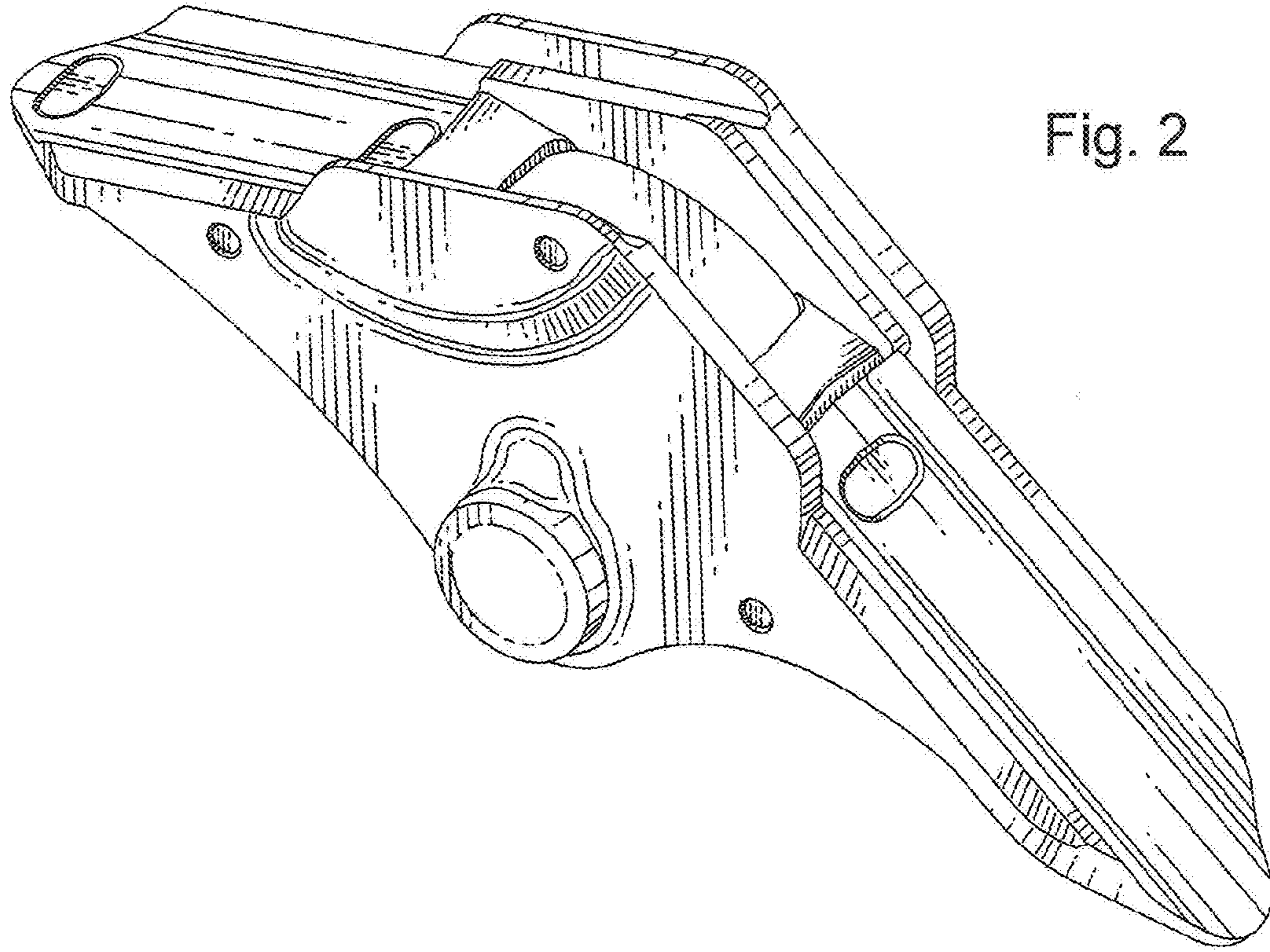


Fig. 2

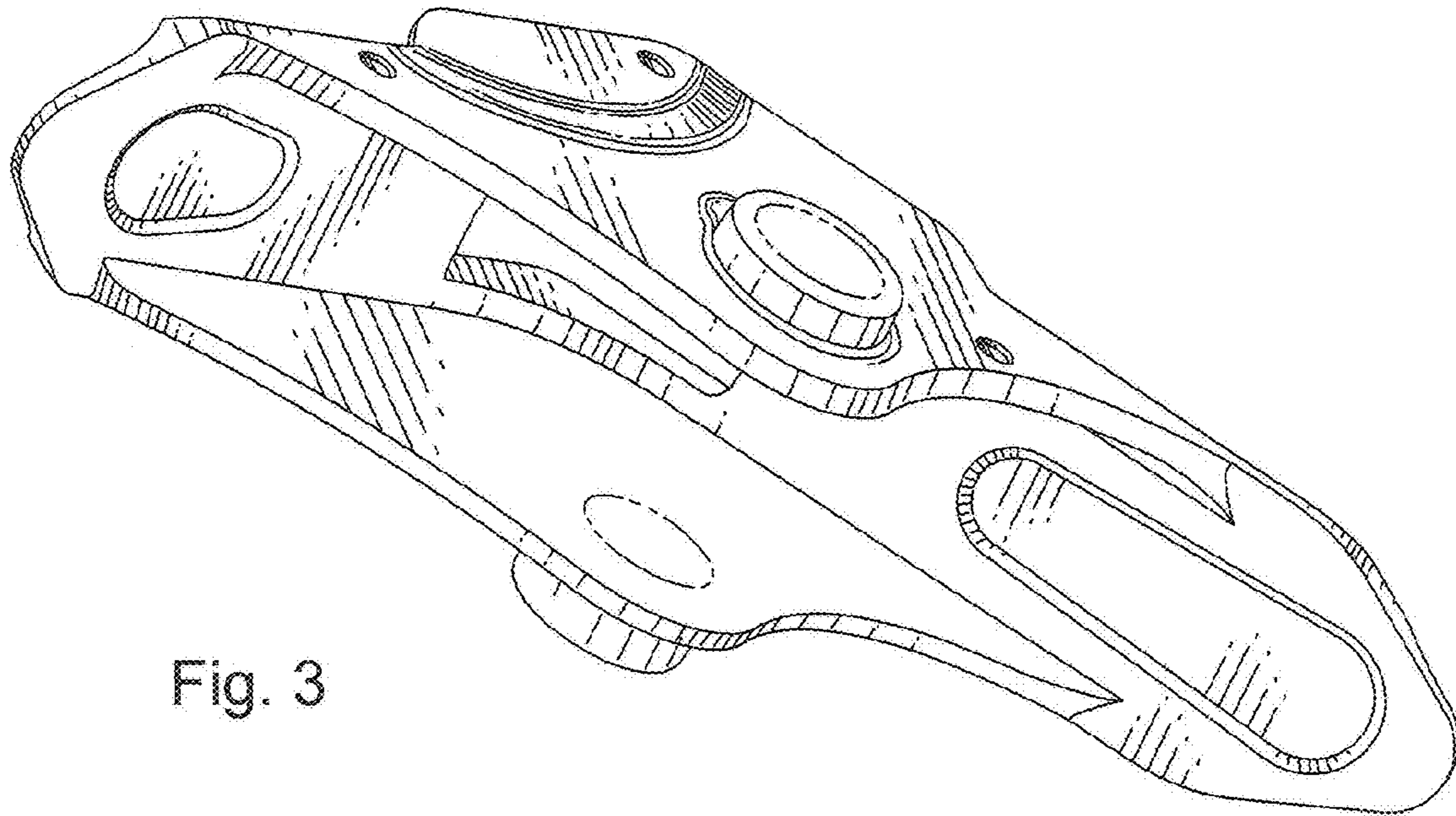


Fig. 3

Fig. 4

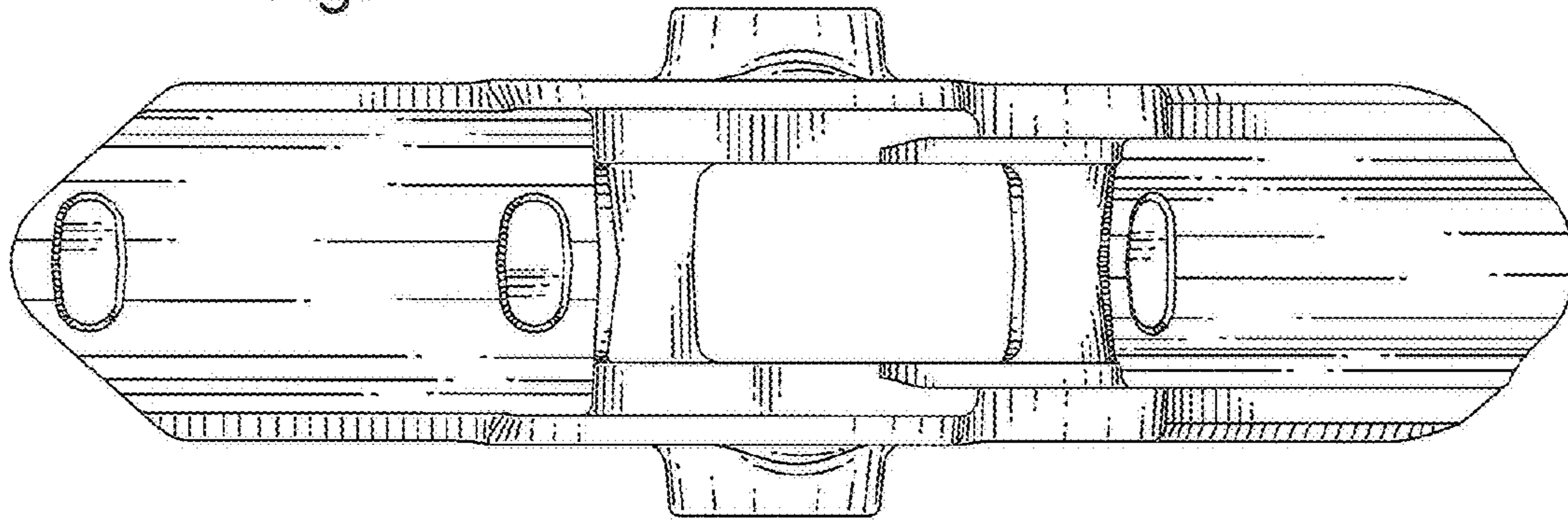


Fig. 5

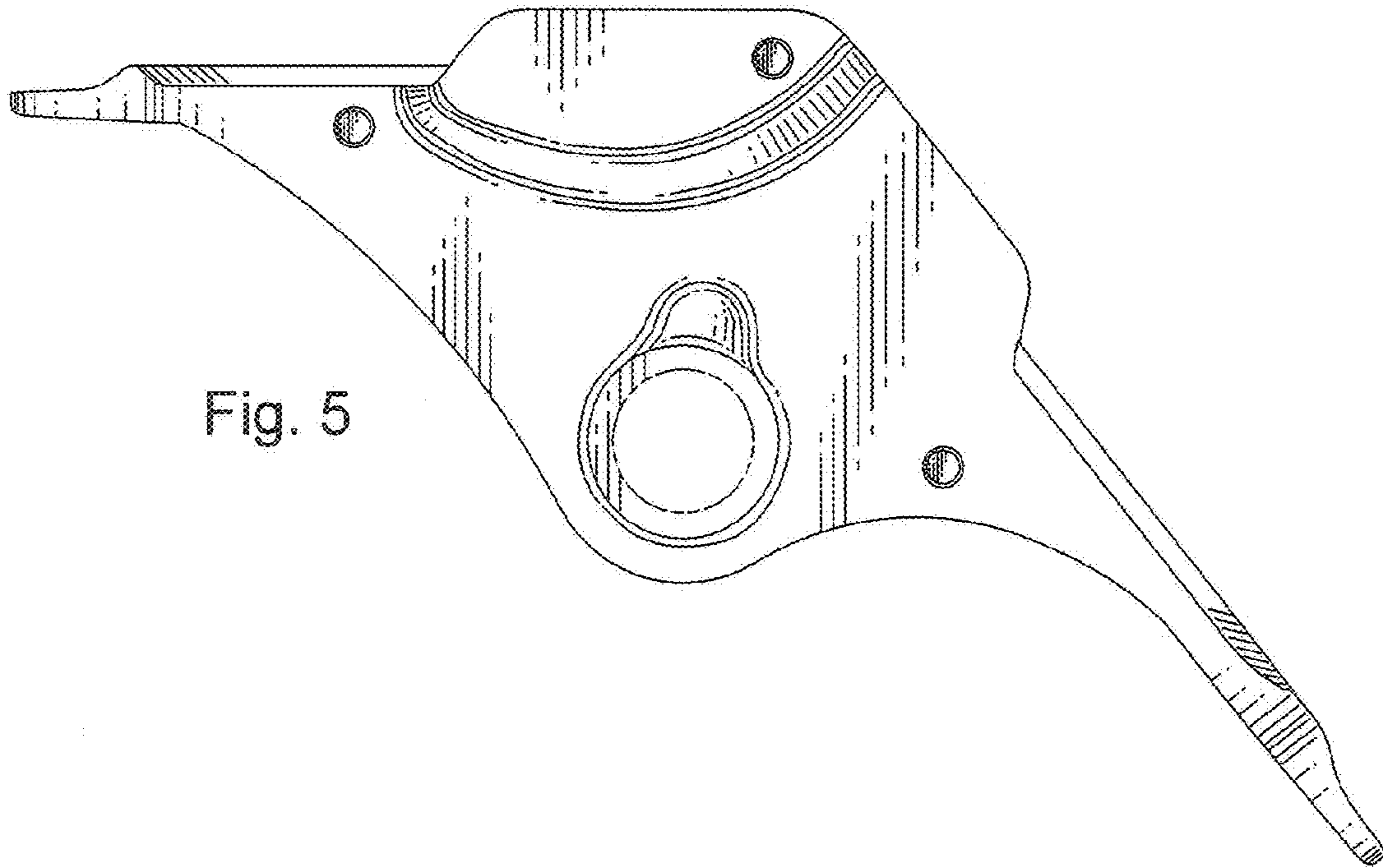
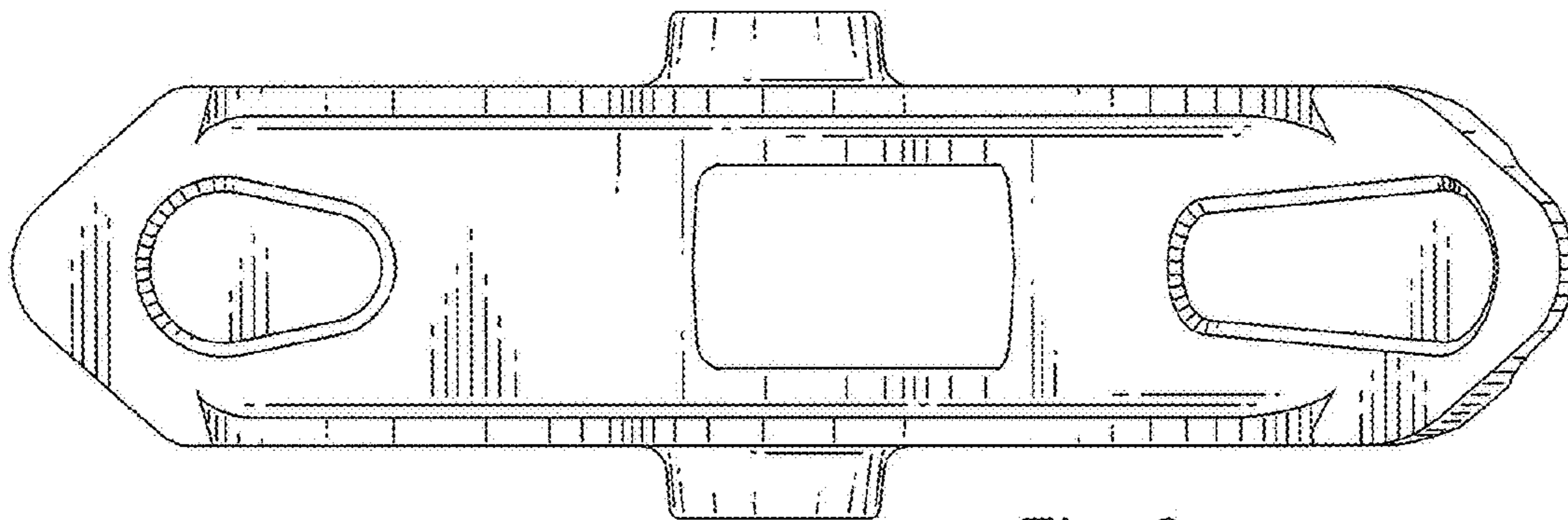


Fig. 6



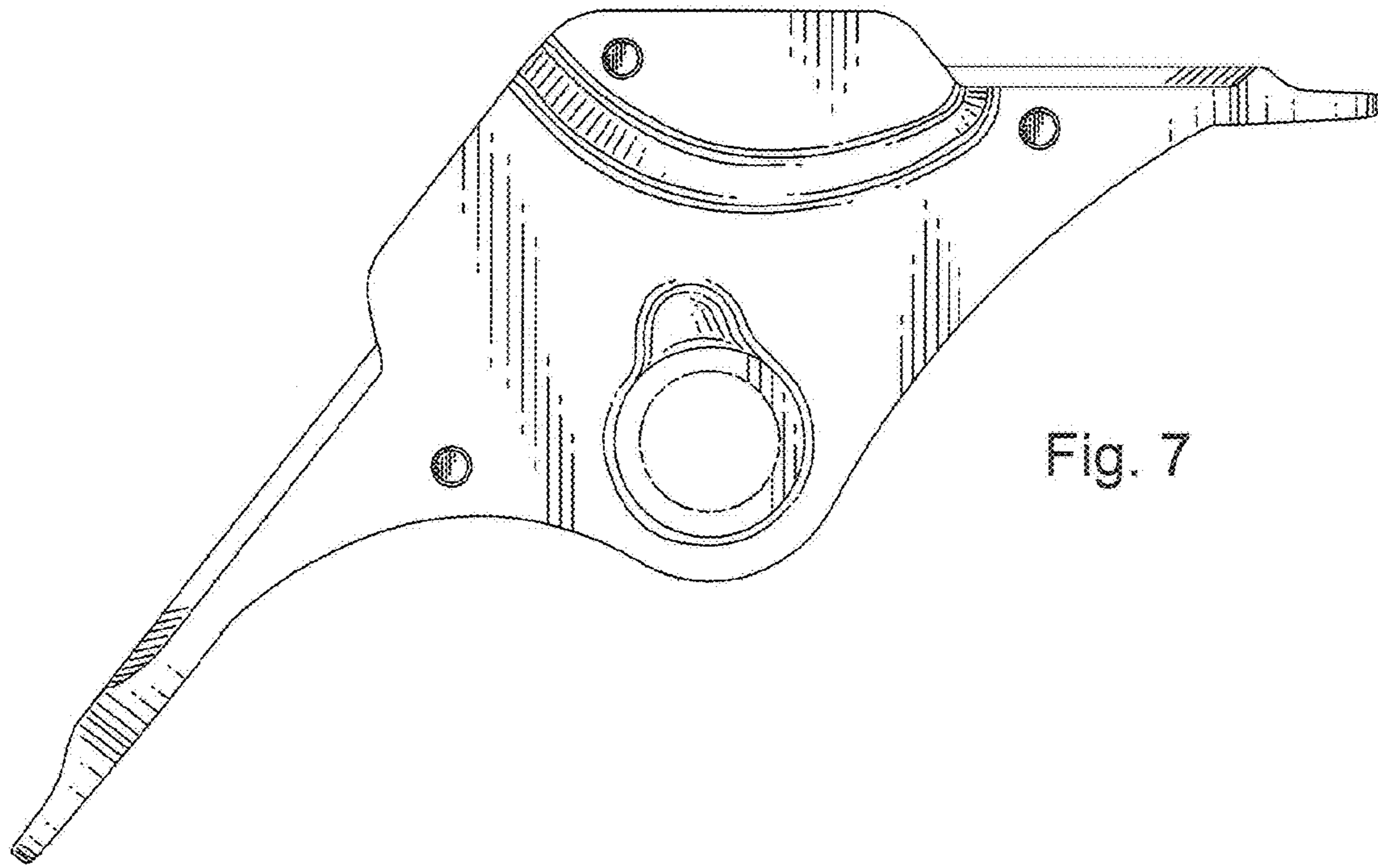


Fig. 7

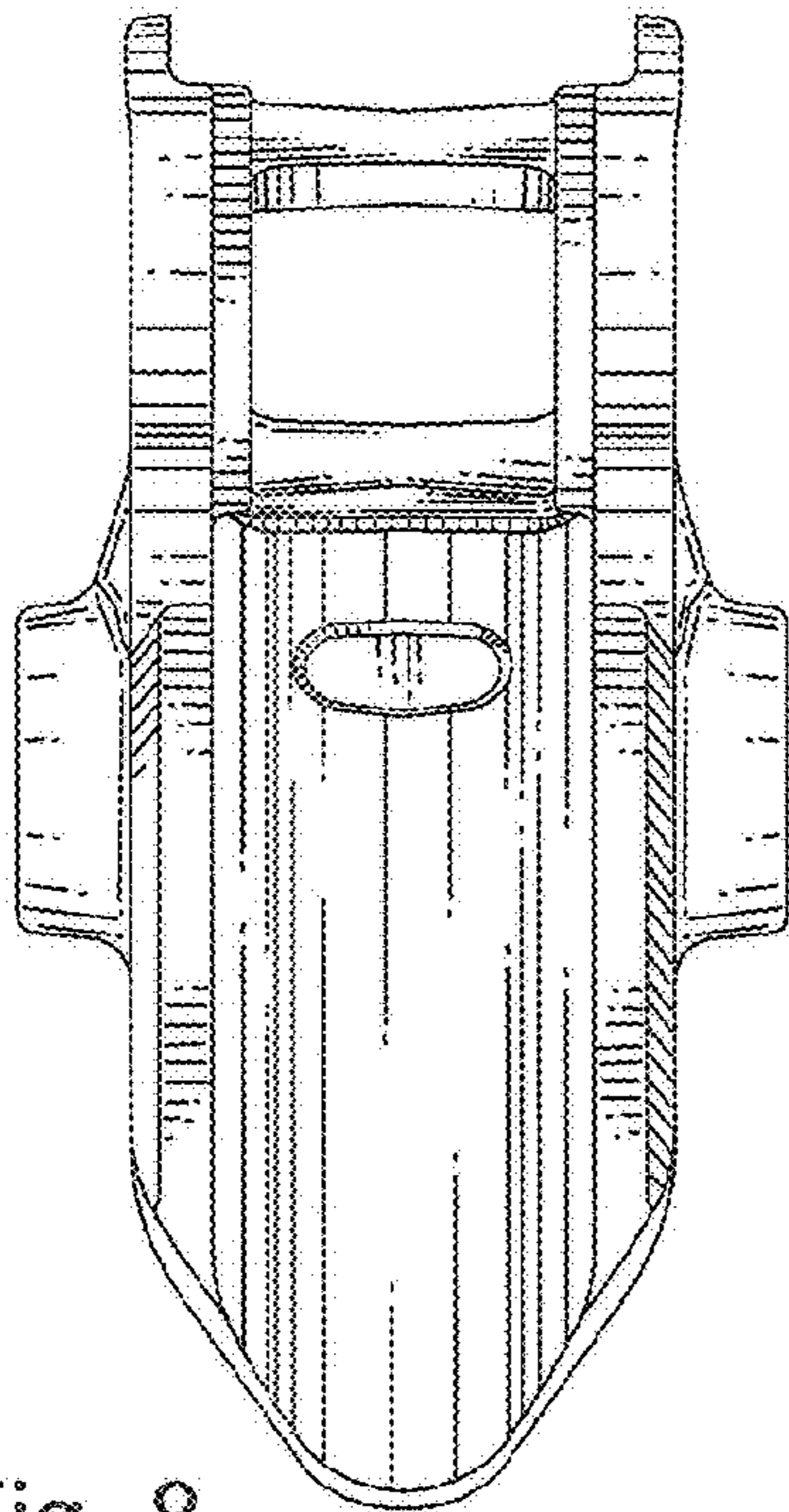


Fig. 8

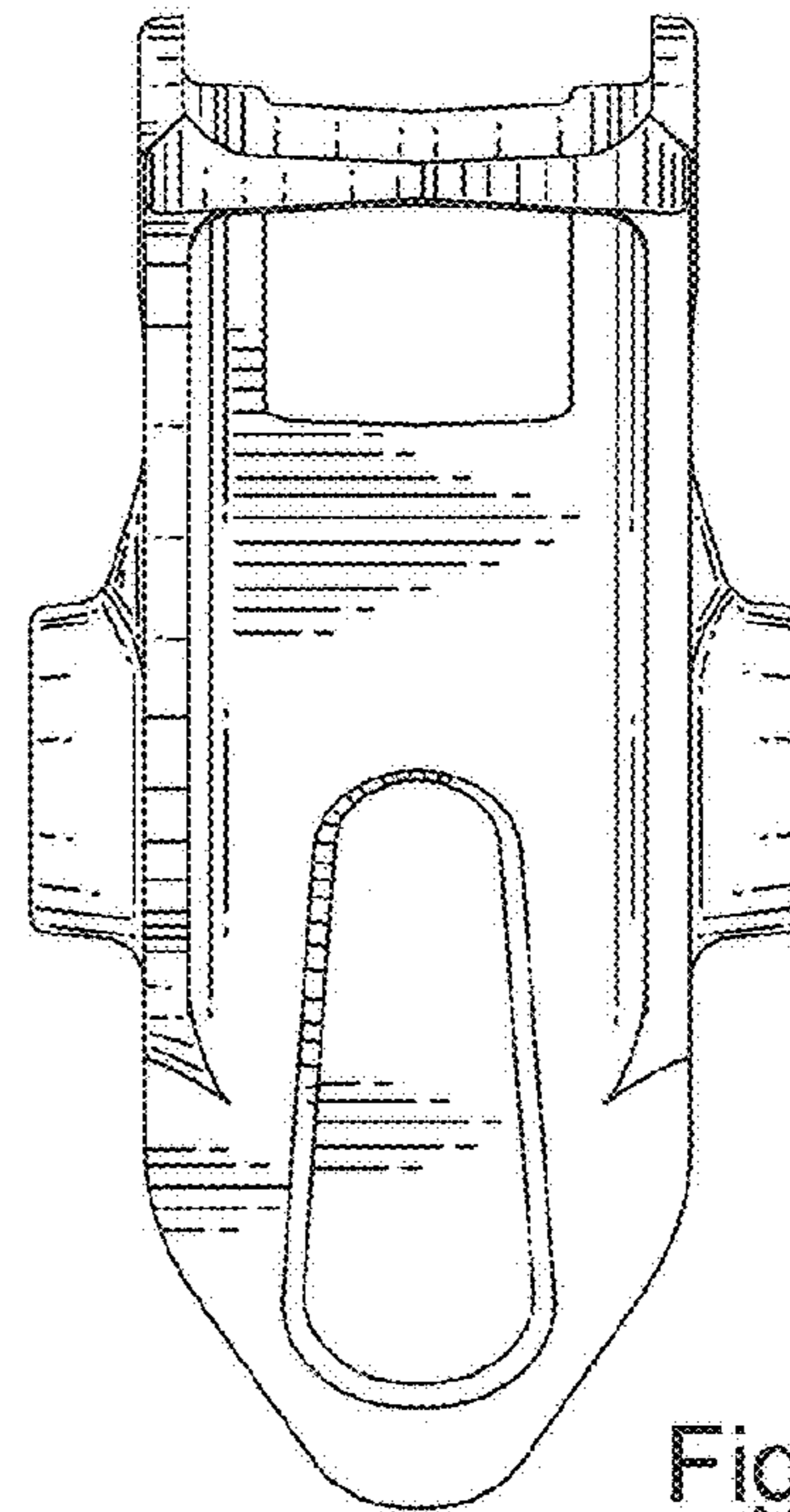


Fig. 9