



US00D646300S

(12) **United States Design Patent**
Peng

(10) **Patent No.:** **US D646,300 S**

(45) **Date of Patent:** **** Oct. 4, 2011**

(54) **PORTABLE FUEL TANK FITTING**

(76) Inventor: **I-Sin Peng**, Taichung (TW)

(**) Term: **14 Years**

(21) Appl. No.: **29/355,829**

(22) Filed: **Feb. 15, 2010**

(51) **LOC (9) Cl.** **15-01**

(52) **U.S. Cl.** **D15/4**

(58) **Field of Classification Search** D23/259-262;
D15/4; 440/88 R, 88 F; 123/468, 514, 518
See application file for complete search history.

http://www.overtons.com/modperl/product/details.cgi?i=80923&pdesc=Quick_Connector_Male_Fuel_Tank_Fitting_with_1/4_NPT_brass_Mercury&aID=601R3A&merchID=4006.*

* cited by examiner

Primary Examiner — T. Chase Nelson

Assistant Examiner — Eric Goodman

(74) *Attorney, Agent, or Firm* — Jackson IPG PLLC;
Demian K. Jackson

(57) **CLAIM**

The ornamental design for a portable fuel tank fitting, as shown and described.

DESCRIPTION

(56) **References Cited**

U.S. PATENT DOCUMENTS

D258,381 S *	2/1981	Lewis	D23/263
D295,553 S *	5/1988	Huber	D23/264
D332,483 S *	1/1993	Lin	D23/264
5,598,827 A *	2/1997	Kato	123/518
6,244,917 B1 *	6/2001	Hartke et al.	440/88 R
6,565,398 B1 *	5/2003	Walczak	440/88 R
2009/0179049 A1 *	7/2009	Drummond	222/209
2011/0041938 A1 *	2/2011	Parks	137/624.27

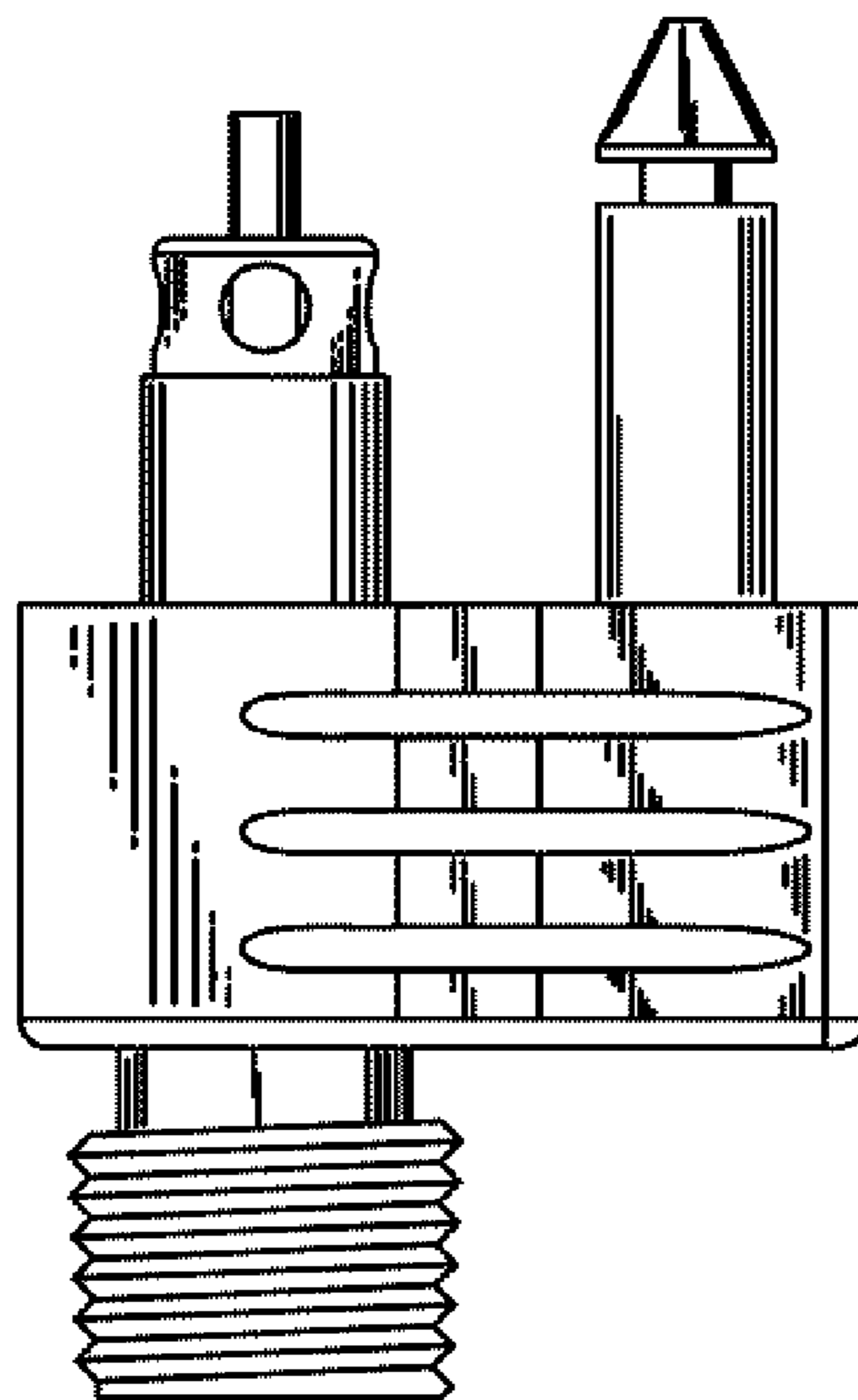
OTHER PUBLICATIONS

<http://www.gulfstreamshop.com/Models.aspx?ModelID=285>.*

<http://www.gulfstreamshop.com/Models.aspx?ModelID=3168>.*

FIG. 1 is a rear elevation view thereof;
FIG. 2 is a front elevation view thereof;
FIG. 3 is a left side view thereof;
FIG. 4 is a right side view thereof;
FIG. 5 is a top plan view thereof;
FIG. 6 is a bottom plan view thereof;
FIG. 7 is a perspective view of a portable fuel tank fitting showing my new design; and,
FIG. 8 shows the application of the present invention, where those indicated by broken lines are not claimed in the present invention.

1 Claim, 5 Drawing Sheets



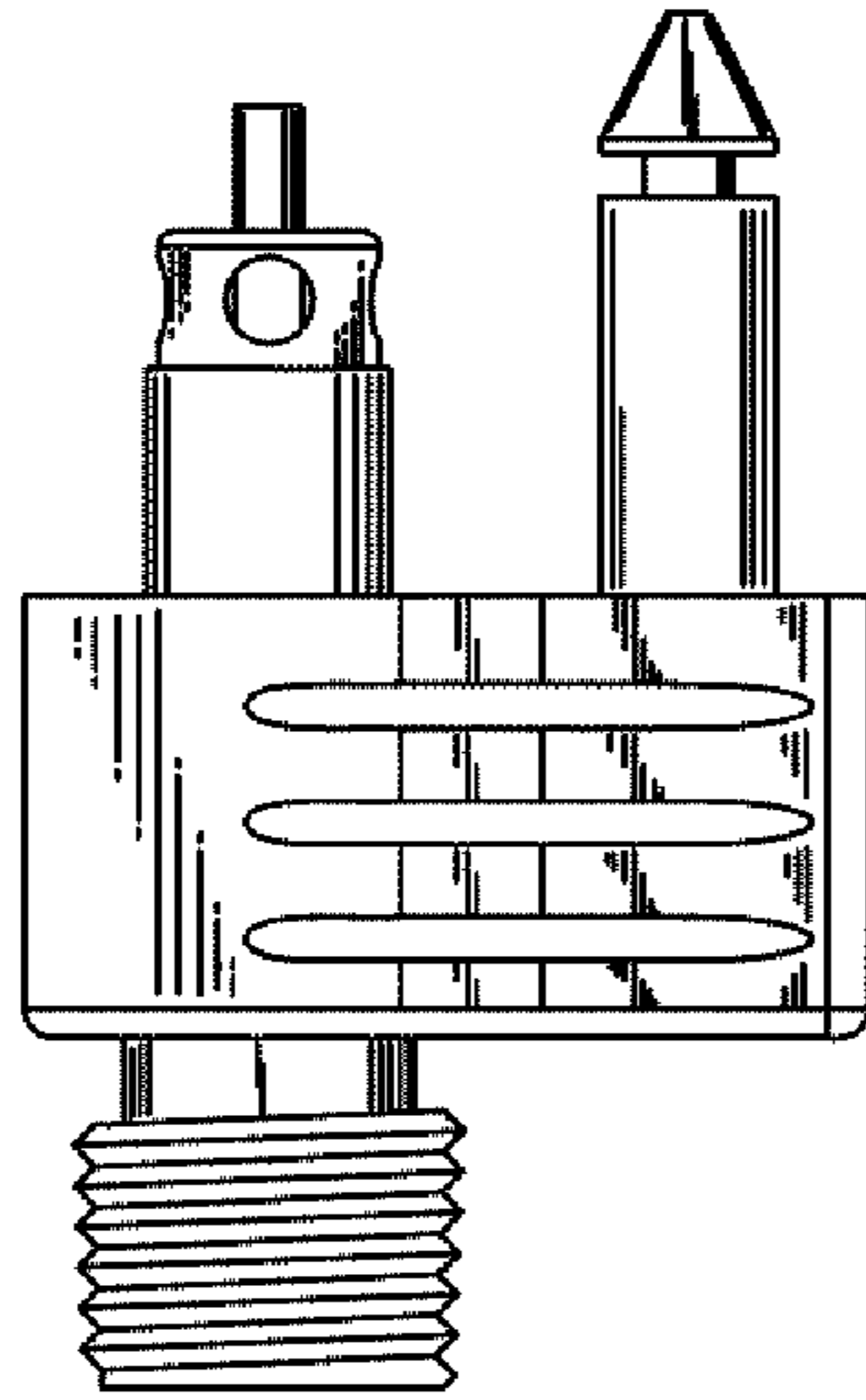


Fig. 1

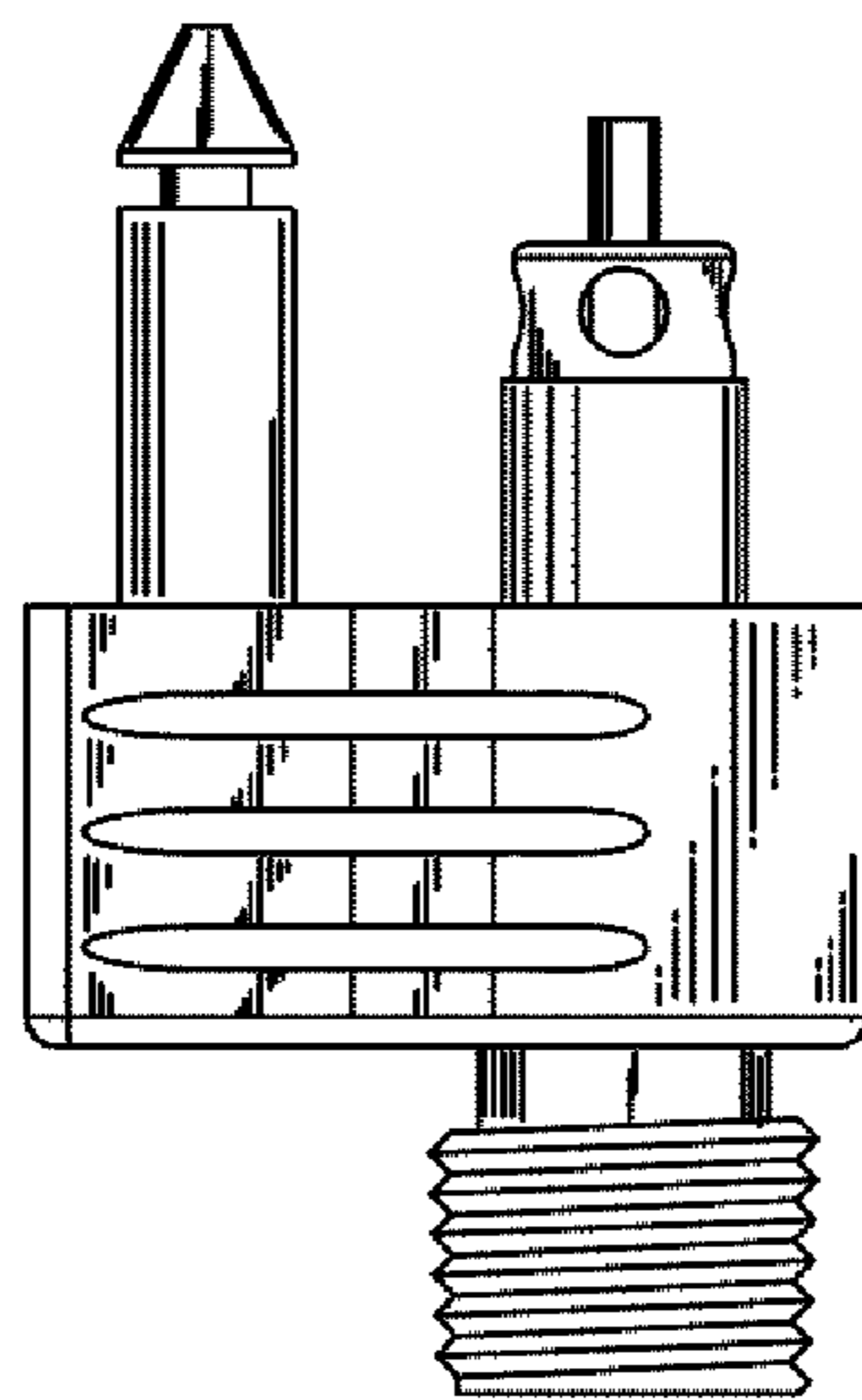


Fig. 2

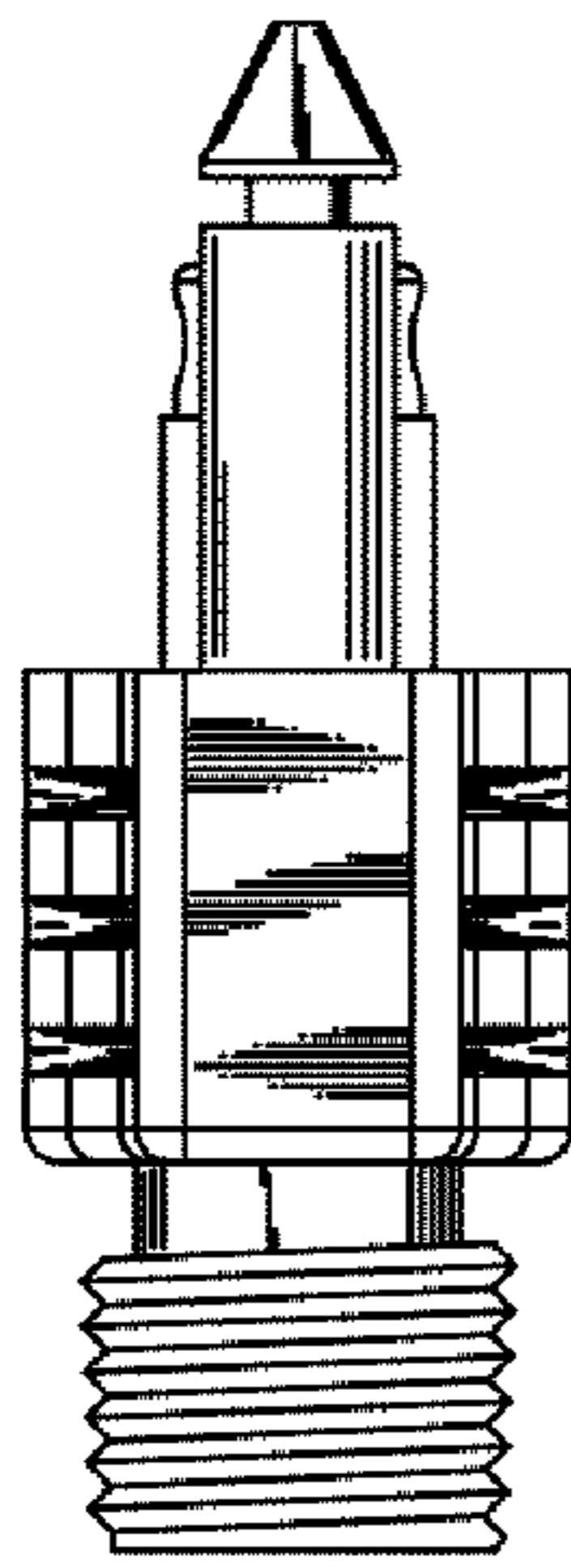


Fig. 3

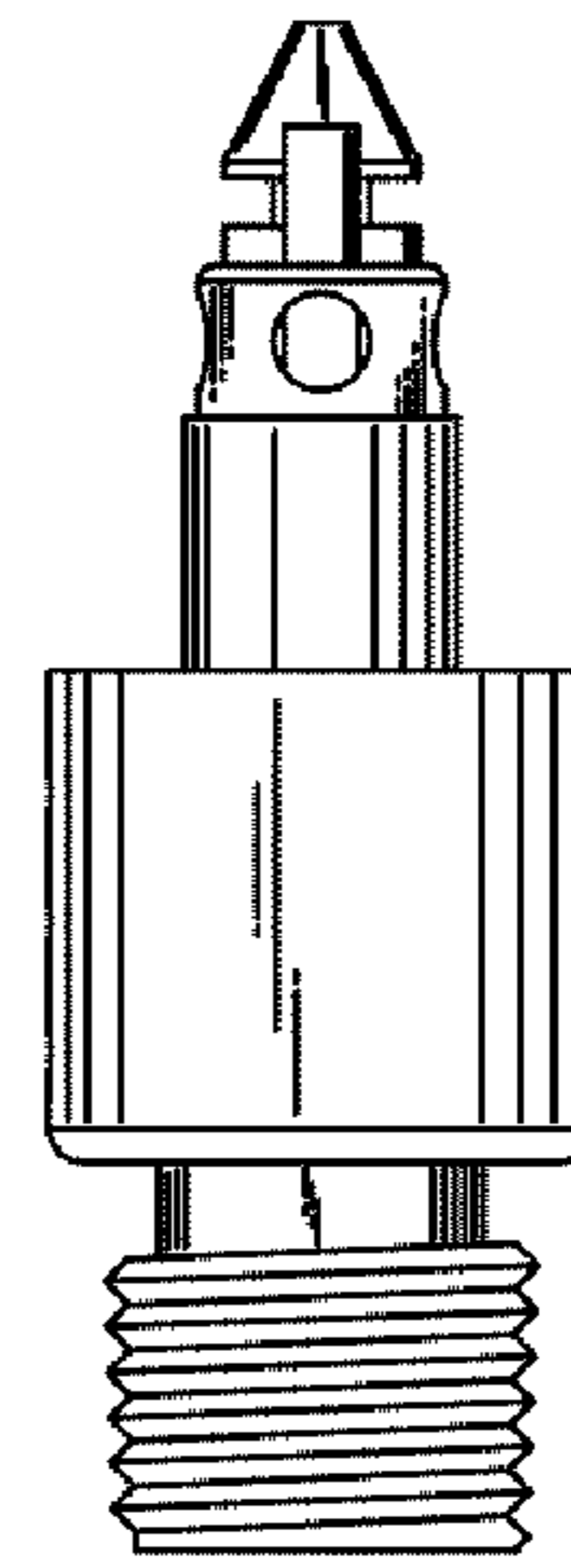


Fig. 4

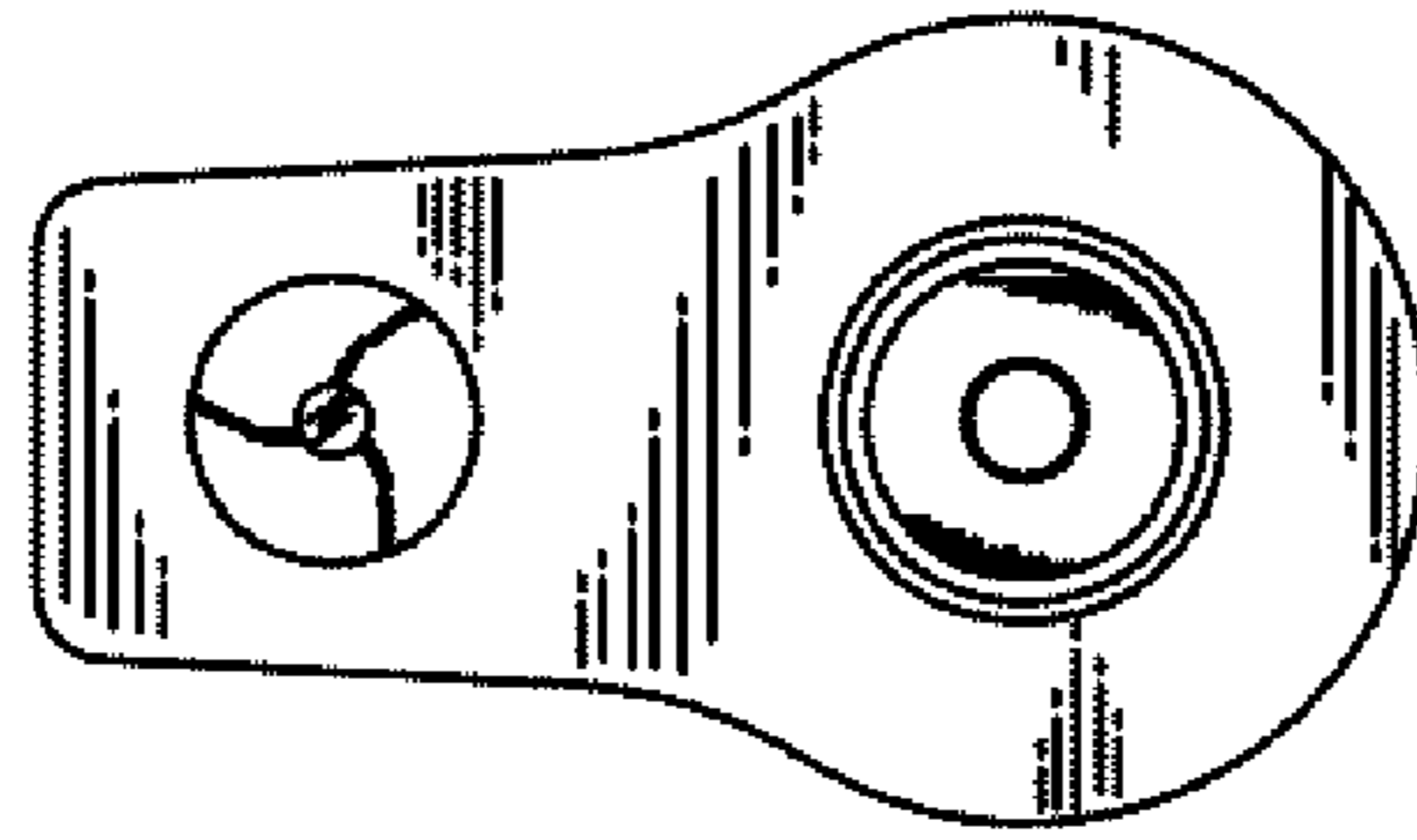


Fig. 5

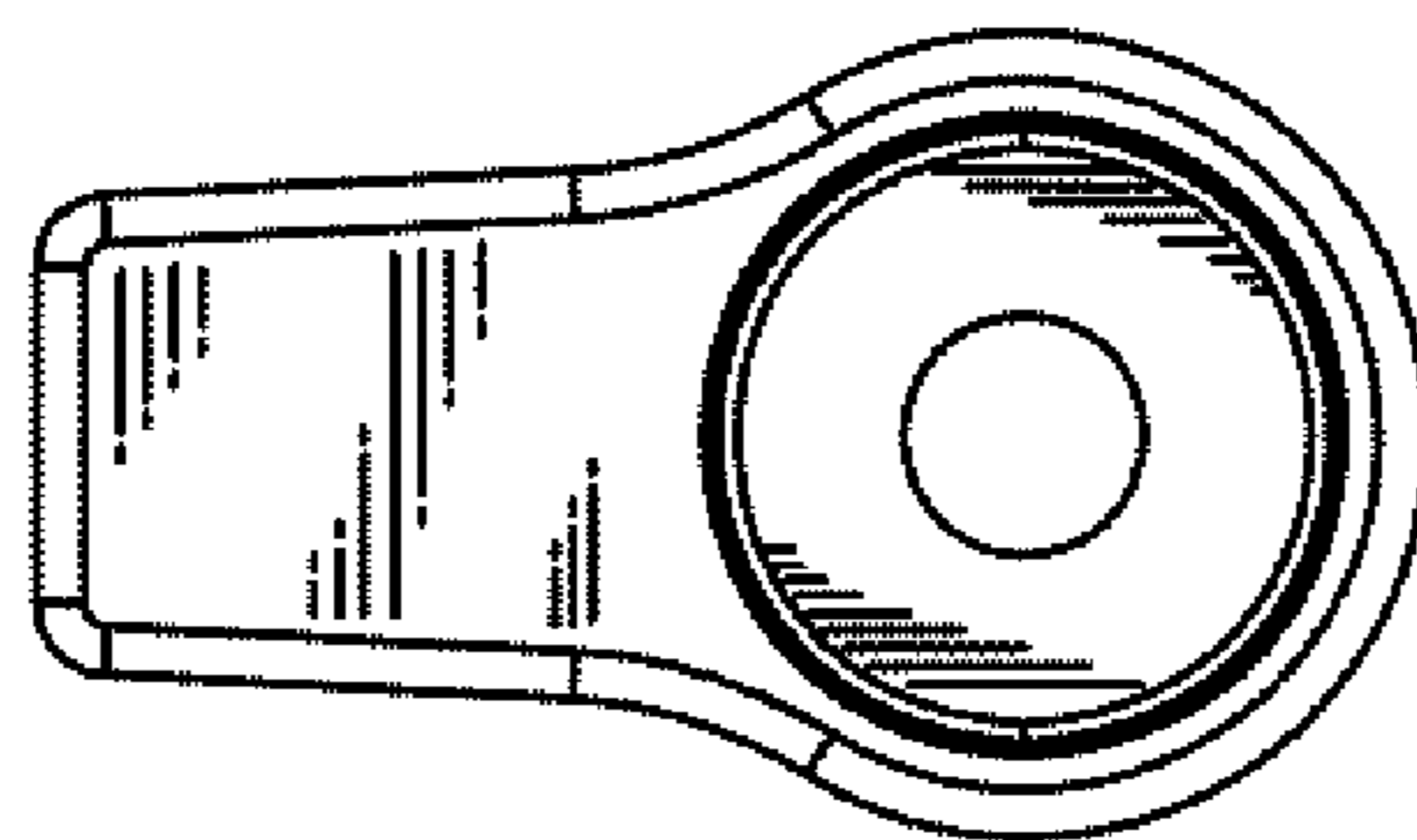


Fig. 6

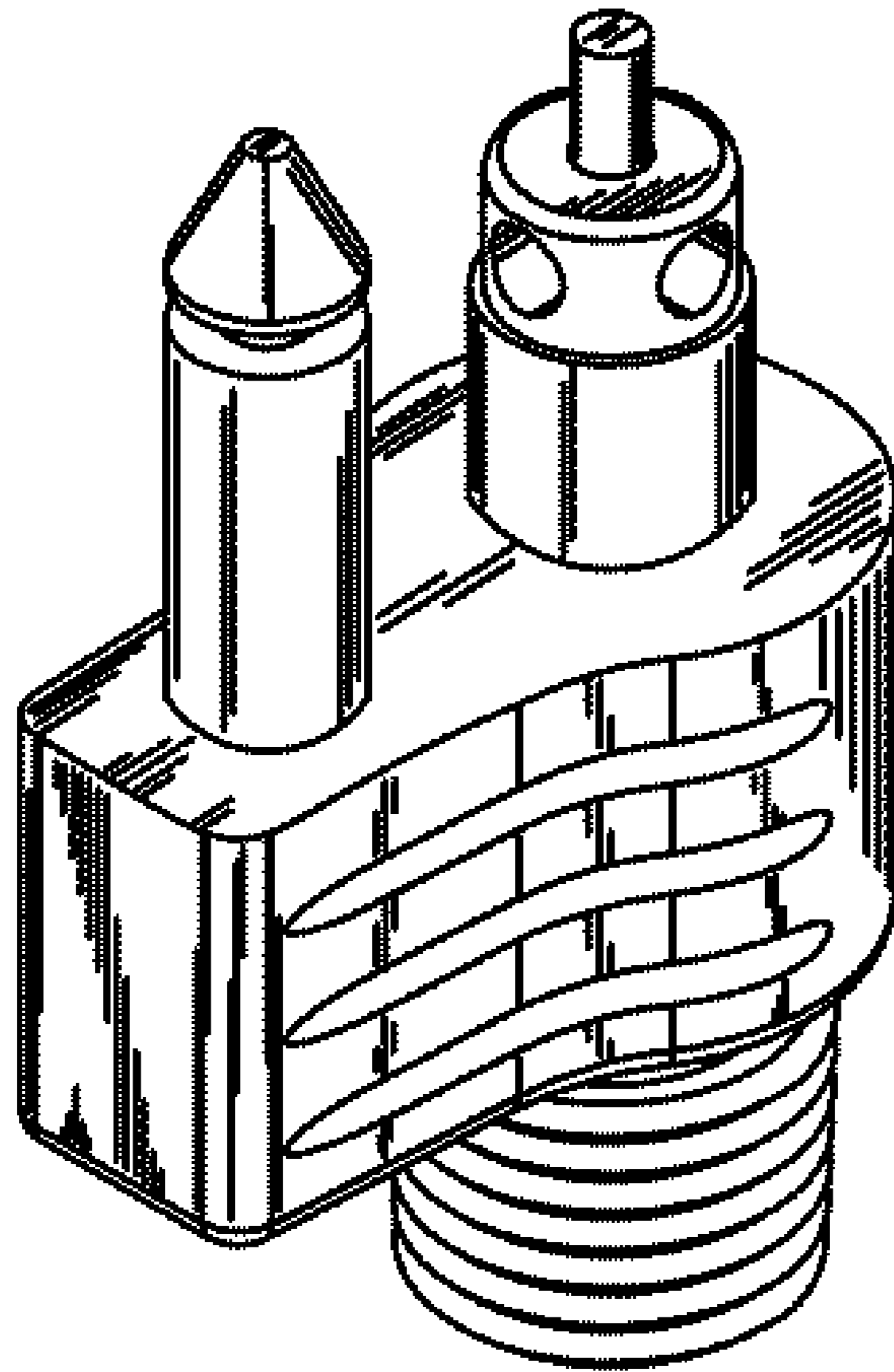


Fig. 7

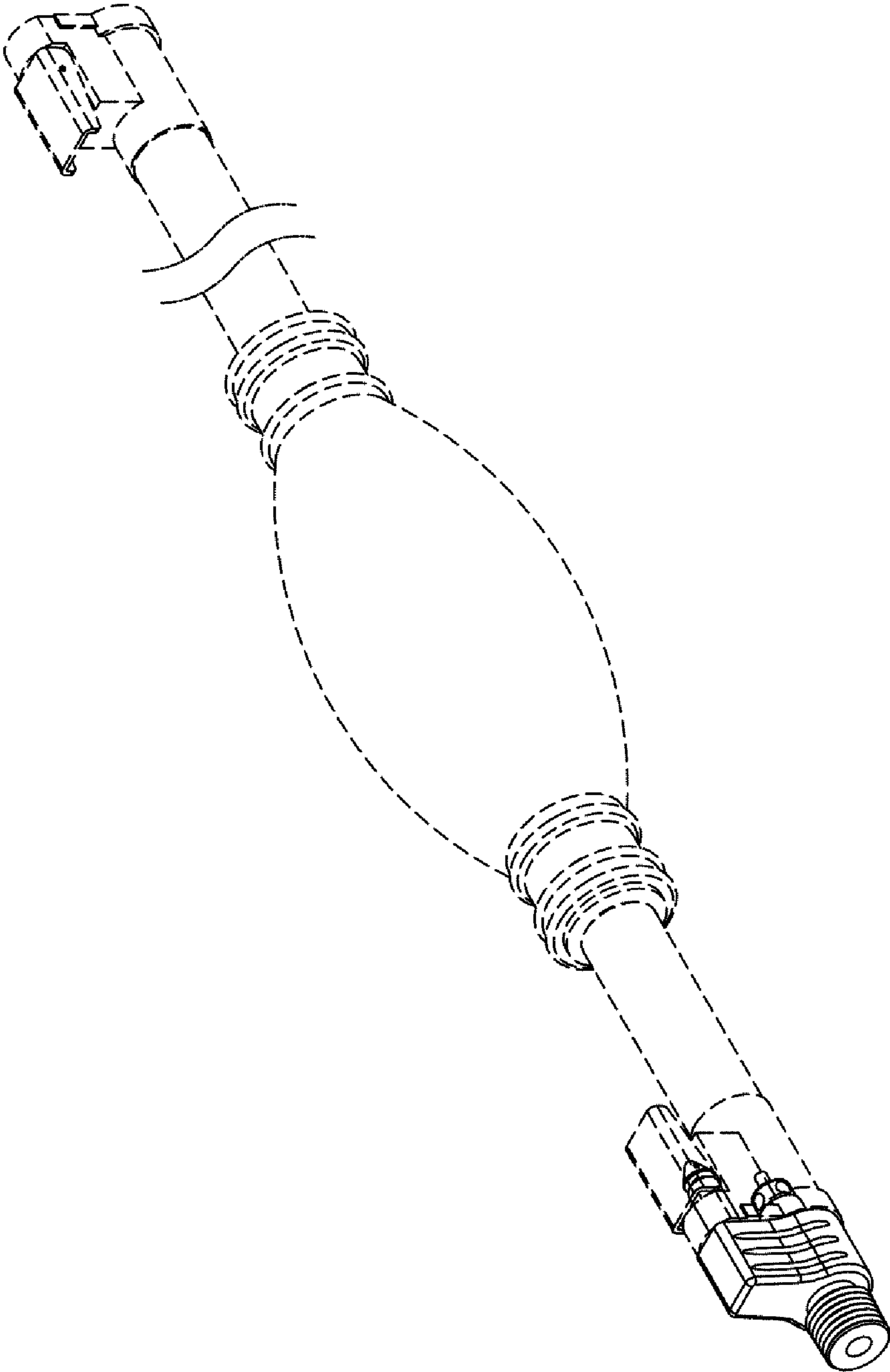


Fig. 8