



US00D646299S

(12) **United States Design Patent**
Aruga et al.

(10) **Patent No.:** **US D646,299 S**
(45) **Date of Patent:** **** Oct. 4, 2011**

(54) **INTERNAL COMBUSTION ENGINE**

D525,990 S * 8/2006 Ono et al. D15/1
D589,056 S * 3/2009 Matsuoka et al. D15/1
D599,822 S * 9/2009 Okuda D15/1

(75) Inventors: **Hiroyasu Aruga**, Tokyo (JP); **Kazuyuki Uenoyama**, Tokyo (JP); **Toshiya Hashimoto**, Tokyo (JP)

FOREIGN PATENT DOCUMENTS

(73) Assignee: **Mitsubishi Heavy Industries, Ltd.**, Tokyo (JP)

JP D 1302575 6/2007
JP D 1348663 1/2009
JP D 1349092 1/2009
JP D 1363588 6/2009

(**) Term: **14 Years**

* cited by examiner

(21) Appl. No.: **29/369,414**

Primary Examiner — T. Chase Nelson

(22) Filed: **Sep. 8, 2010**

Assistant Examiner — Ania Dworzecka

(30) **Foreign Application Priority Data**

(74) *Attorney, Agent, or Firm* — Wenderoth, Lind & Ponack, L.L.P.

Mar. 9, 2010 (JP) 2010-005630

(51) **LOC (9) Cl.** **15-01**

(52) **U.S. Cl.** **D15/1**

(58) **Field of Classification Search** D15/1,
D15/2, 3, 5, 6, 14, 17, 149; 123/22, 41.34,
123/51 A, 606 R, 52.1, 50 A, 50 B, 54.1,
123/54.2, 54.4, 54.5, 65 R, 195 R, 195 HC,
123/657, 311

See application file for complete search history.

(56) **References Cited**

(57) **CLAIM**

The ornamental design for an internal combustion engine, as shown and described.

DESCRIPTION

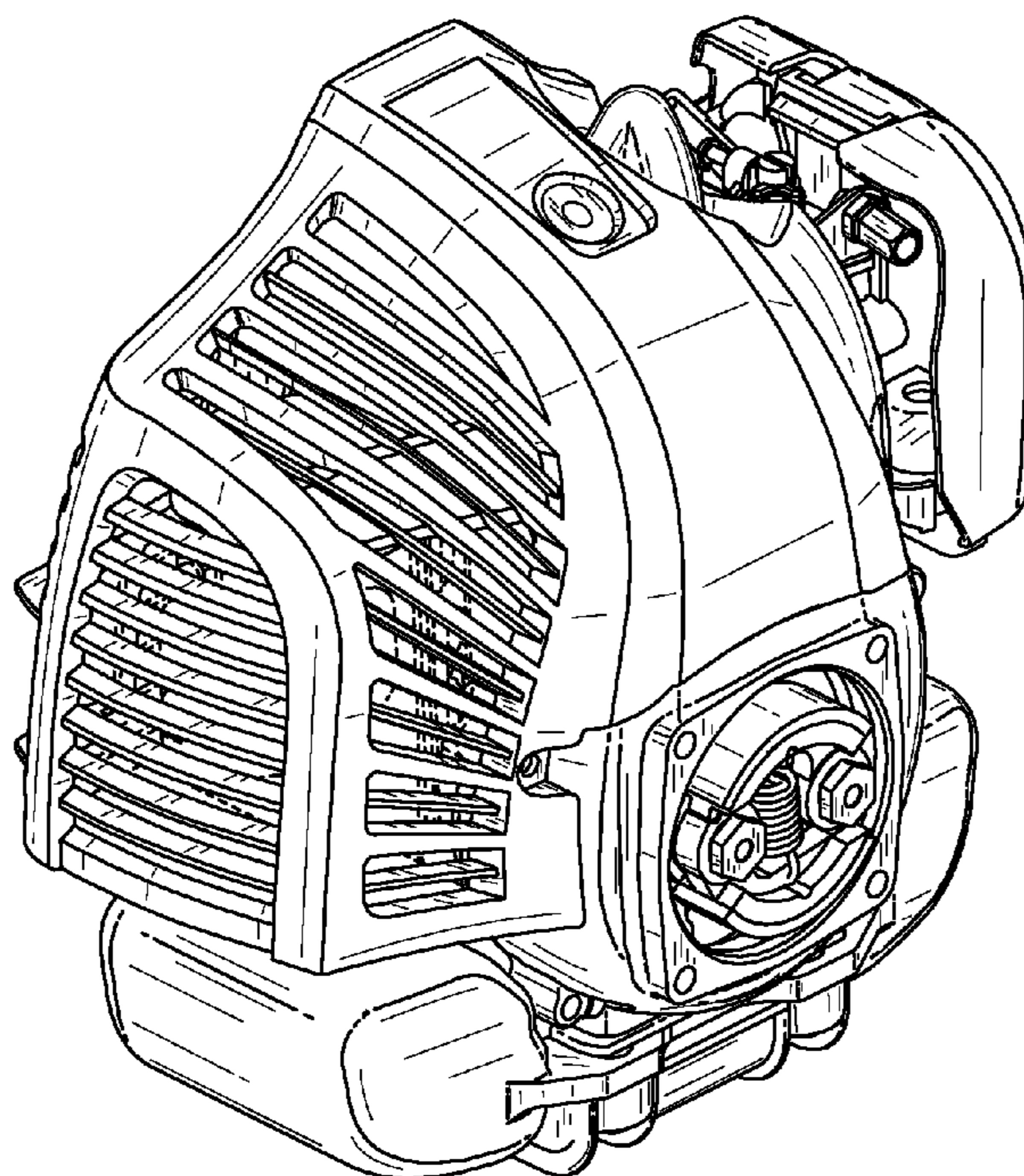
U.S. PATENT DOCUMENTS

D361,336 S * 8/1995 Tinius D15/1
D416,265 S * 11/1999 Kato et al. D15/1
D521,528 S * 5/2006 Kamijo et al. D15/1

FIG. 1 is a front view of an internal combustion engine in accordance with the present design;
FIG. 2 is a rear view thereof;
FIG. 3 is a left side view thereof;
FIG. 4 is a right side view thereof;
FIG. 5 is a top plan view thereof;
FIG. 6 is a bottom plan view thereof;
FIG. 7 is a front perspective view thereof; and,
FIG. 8 is a rear perspective view thereof.

The portions of the engine shown in broken lines form no part of the claimed design.

1 Claim, 4 Drawing Sheets



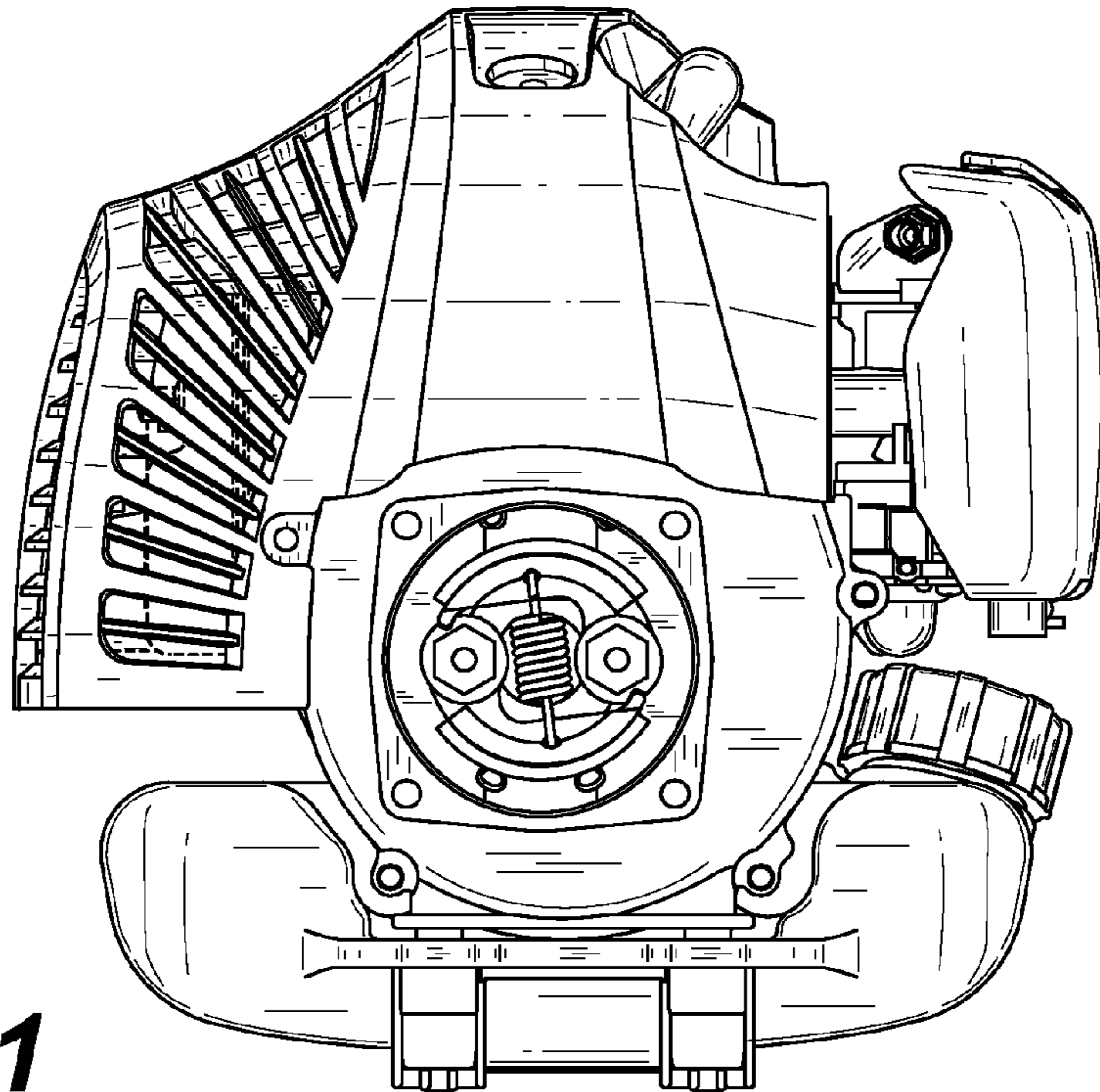


FIG. 1

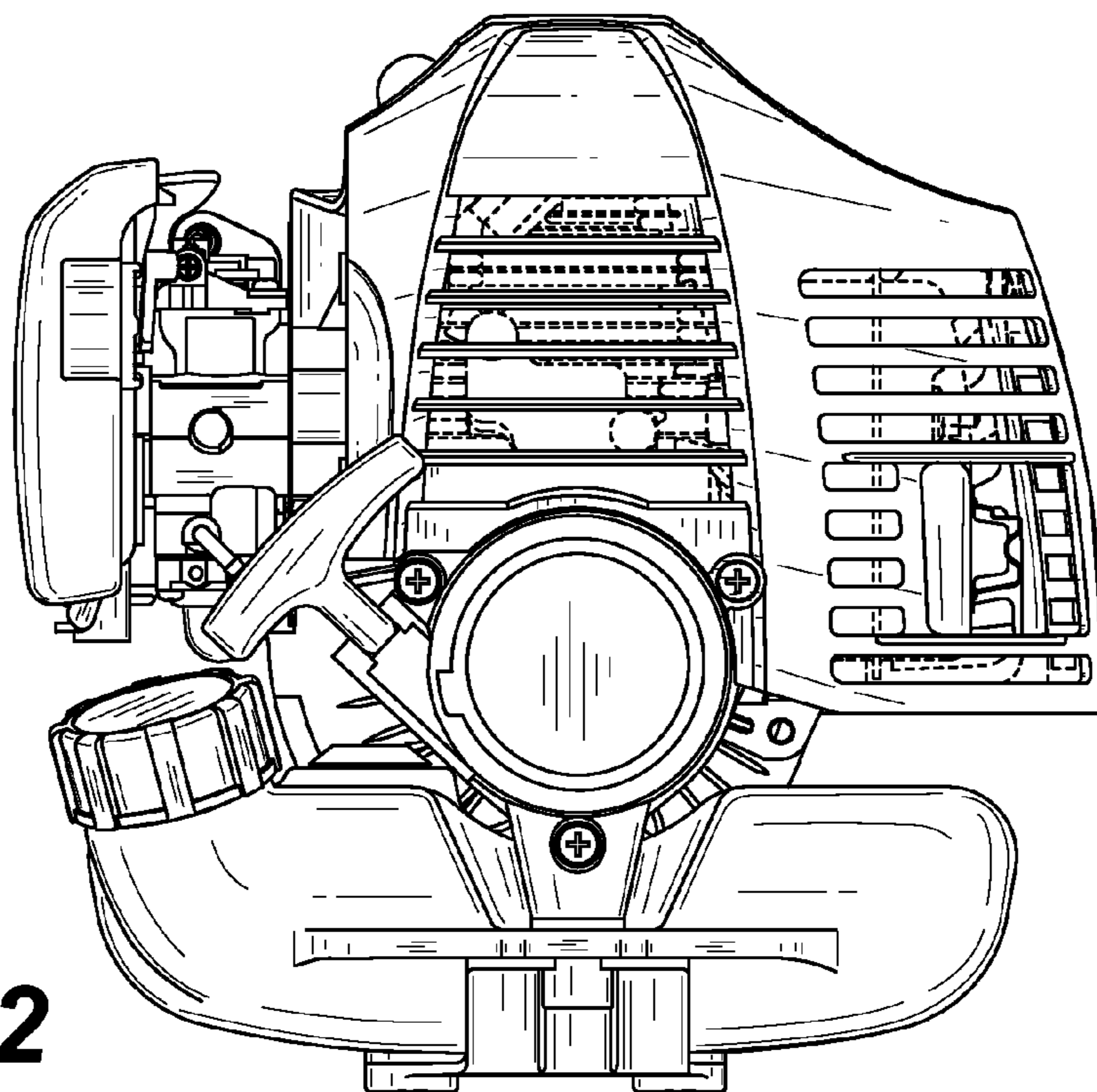


FIG. 2

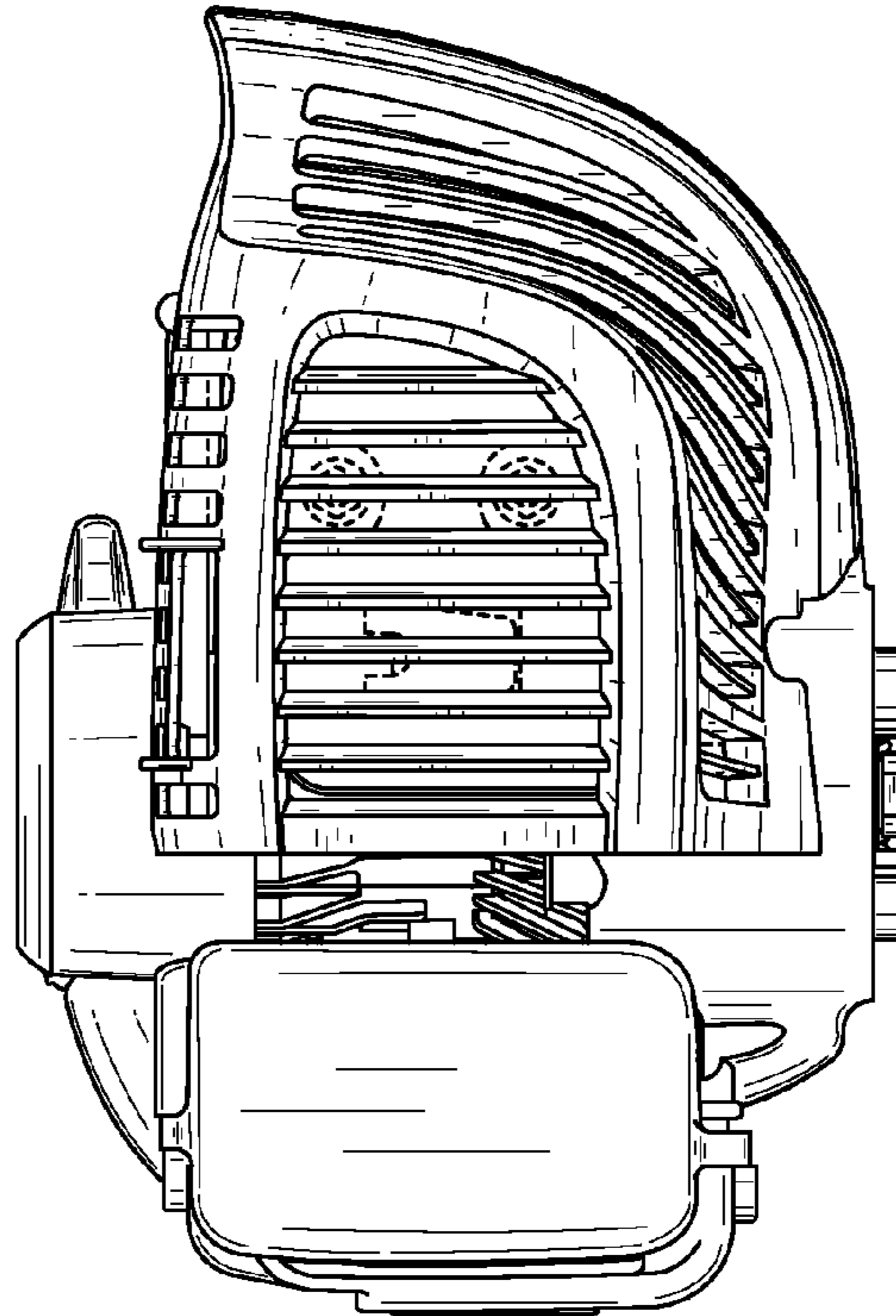


FIG. 3

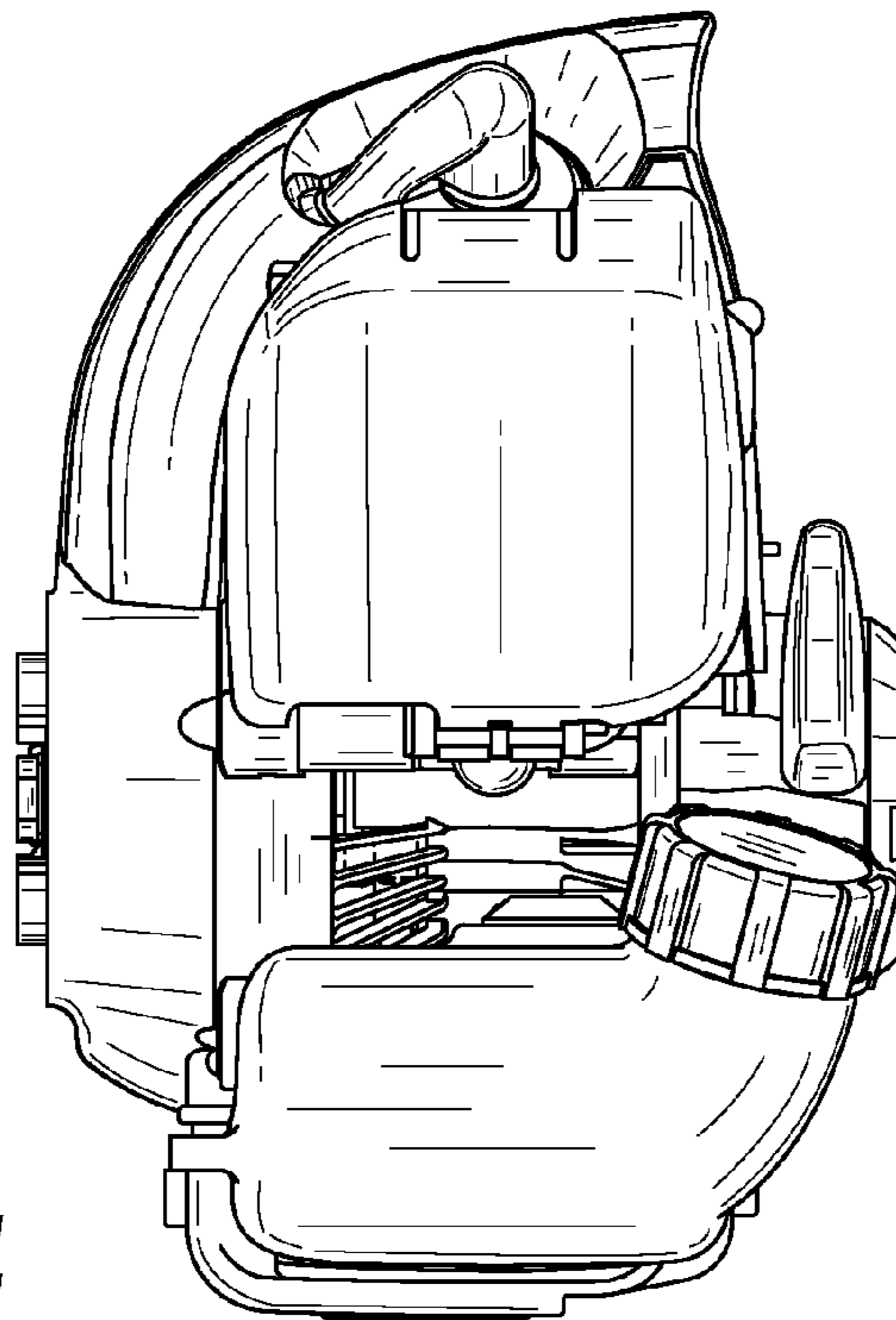


FIG. 4

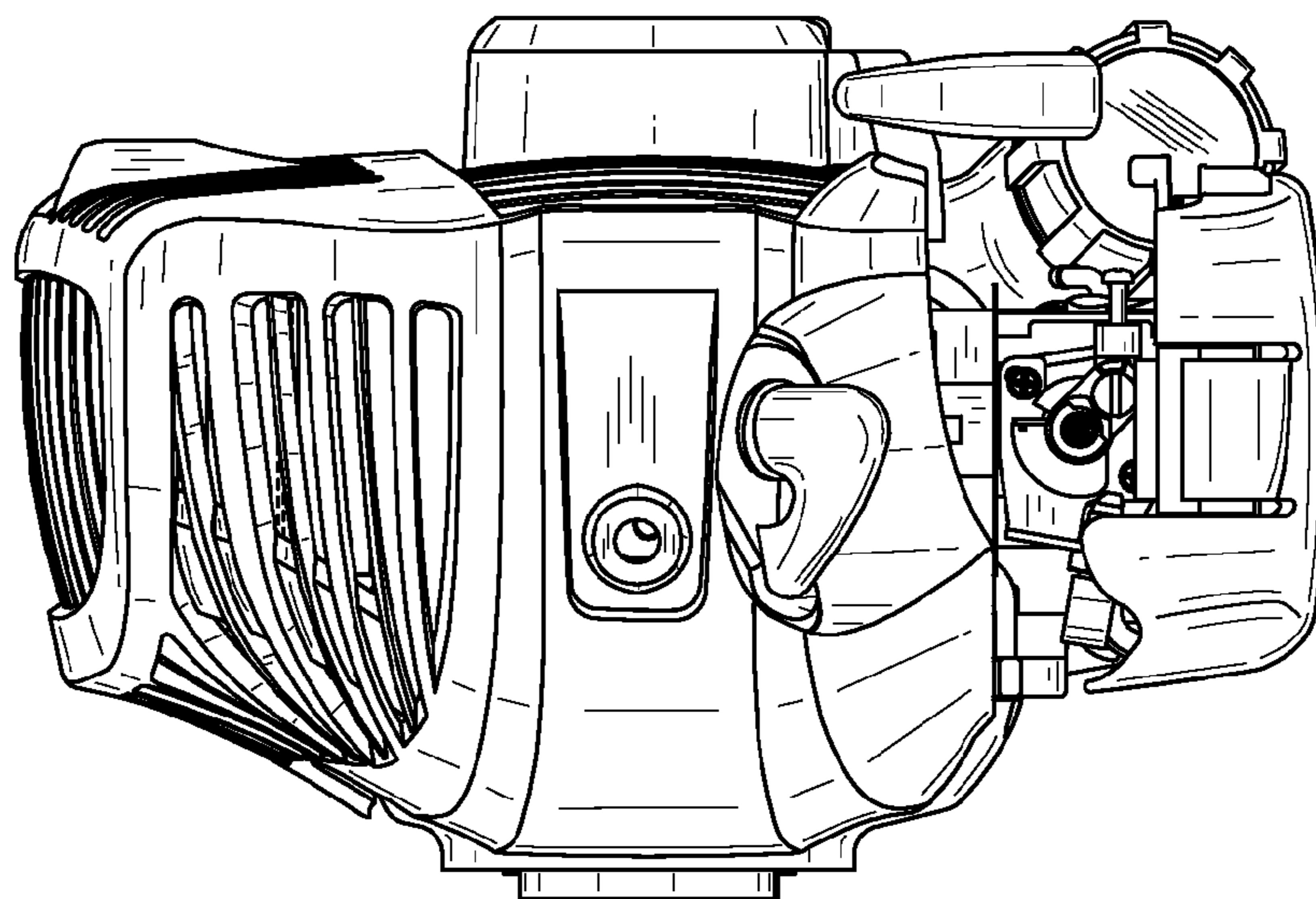


FIG. 5

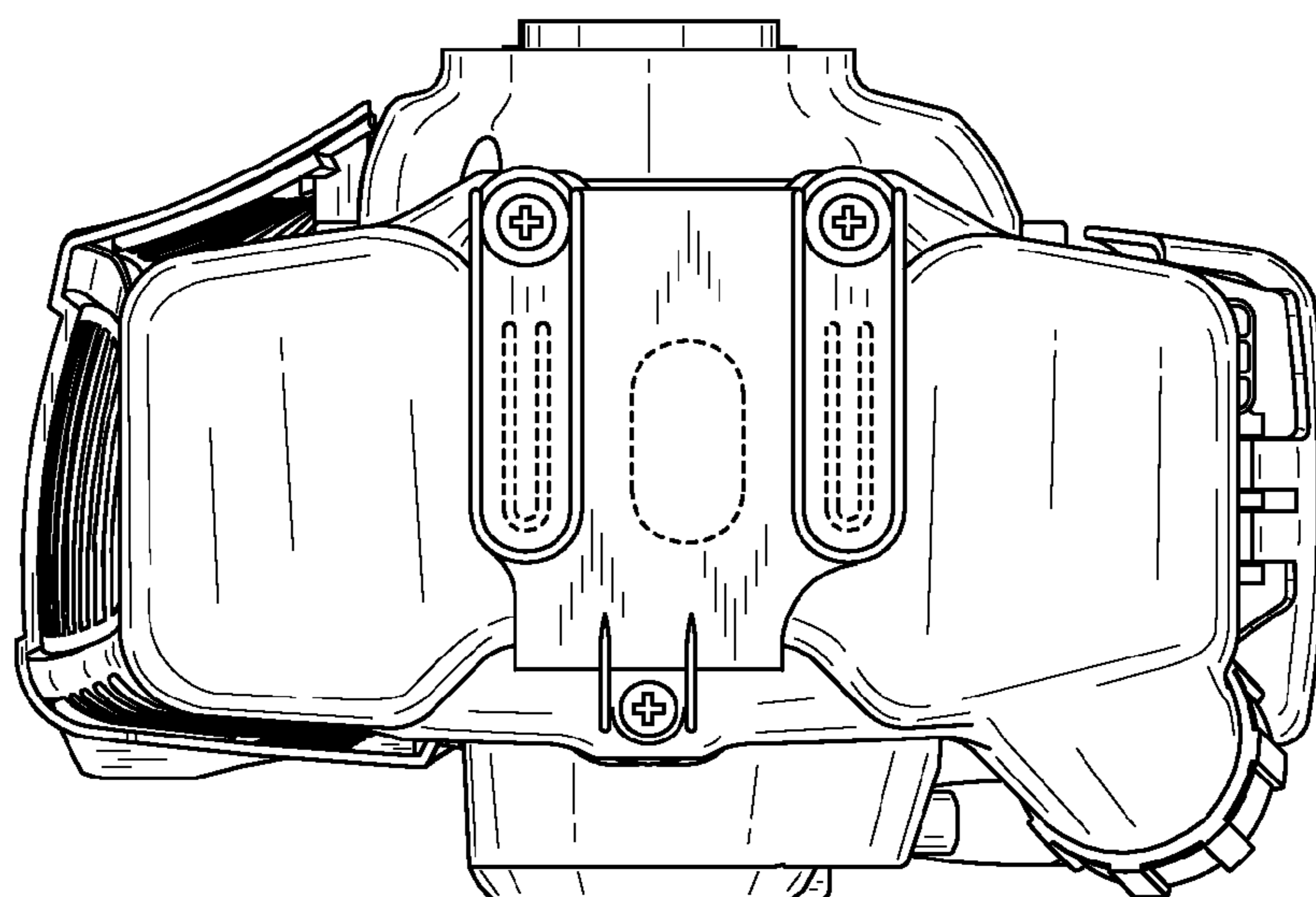


FIG. 6

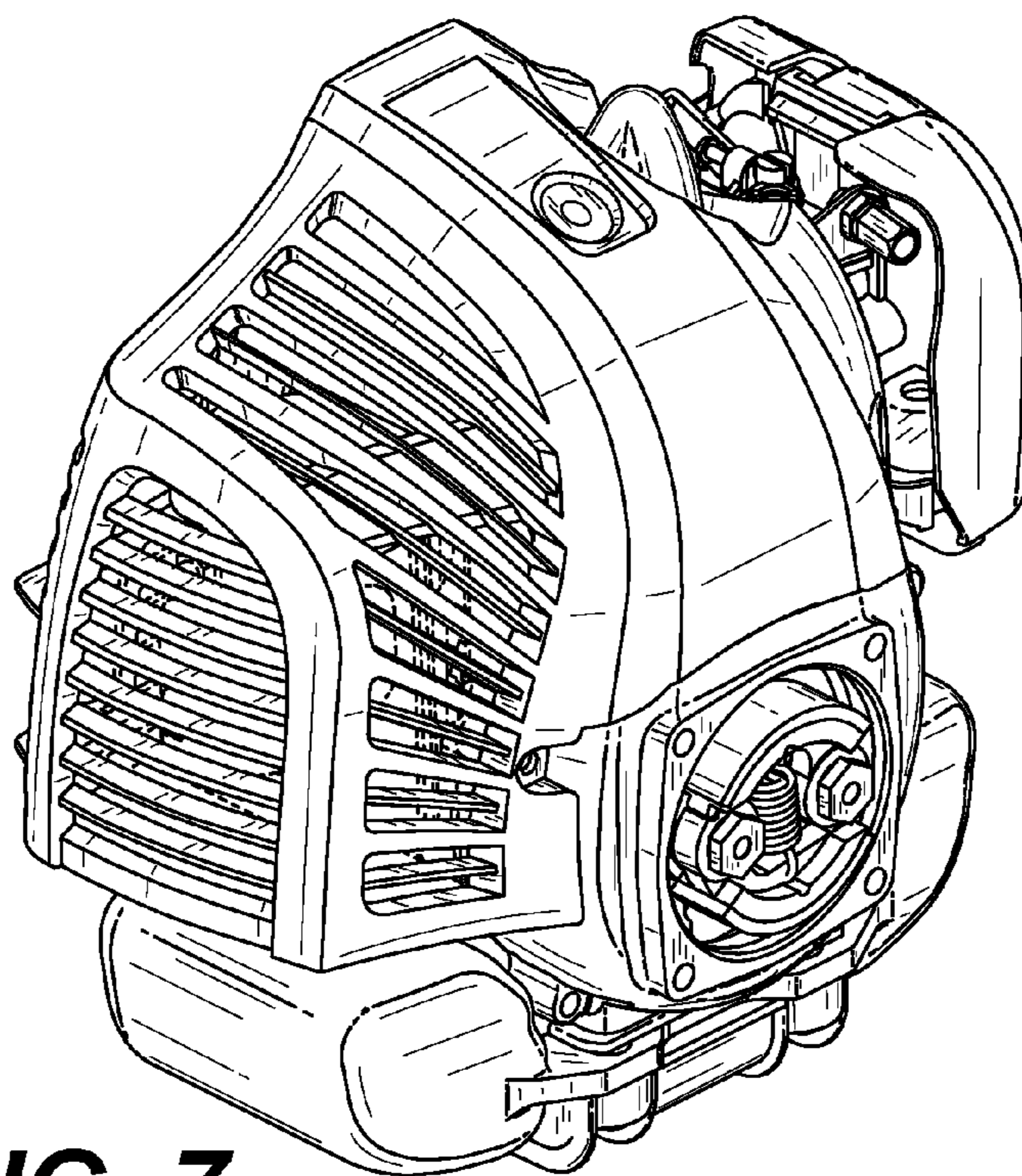


FIG. 7

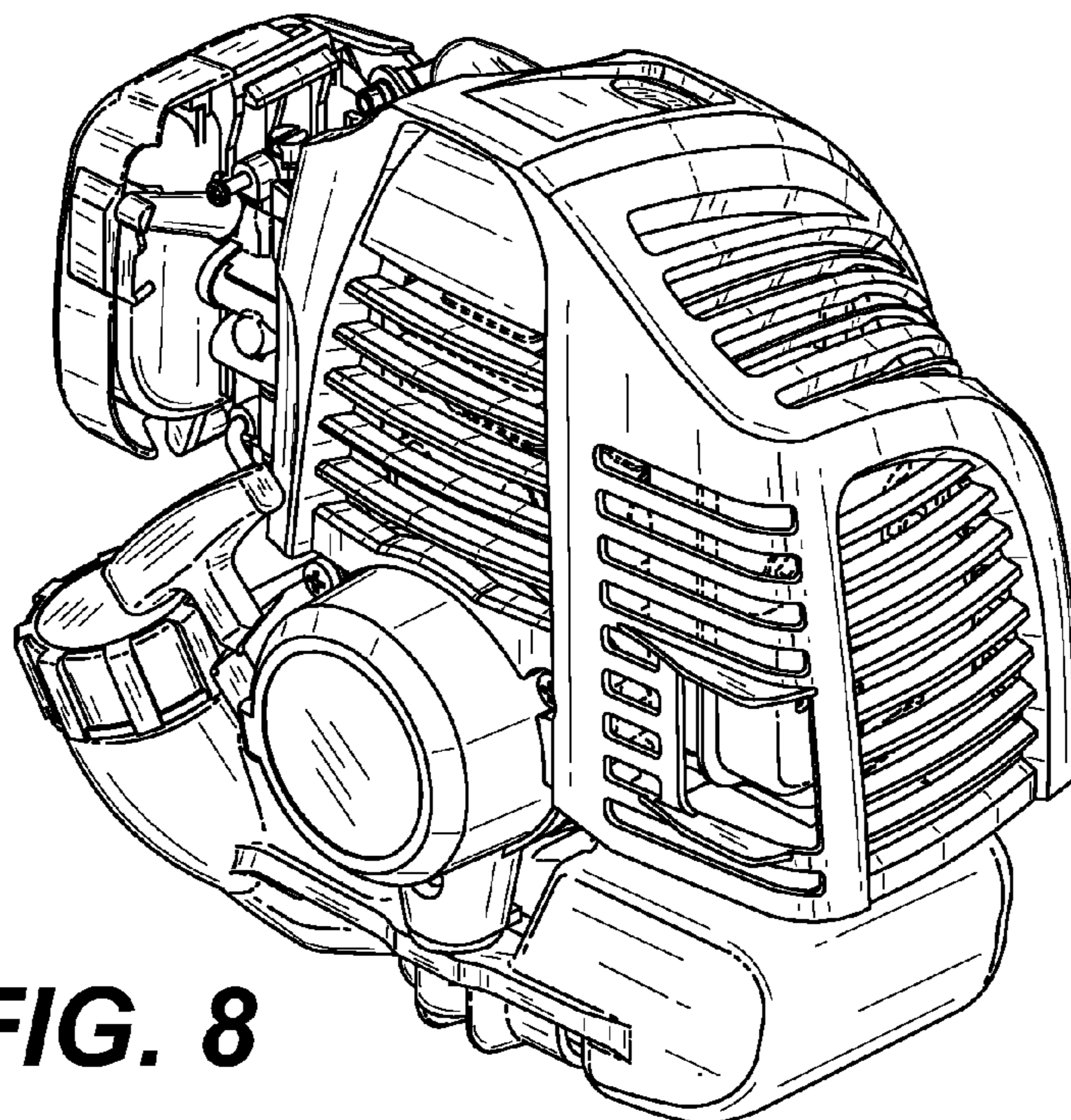


FIG. 8