



US00D646282S

(12) **United States Design Patent**
Davoren et al.

(10) **Patent No.:** **US D646,282 S**
(45) **Date of Patent:** **** Oct. 4, 2011**

(54) **HAND-HELD DATA COLLECTOR WITH
REMOVABLE SCANNER**

(75) Inventors: **Sean Davoren**, Burlington (CA); **Todd Henry**, Kleinburg (CA); **Dave Whitehouse**, Toronto (CA); **Scott Grant**, Toronto (CA); **Bob Johnston**, Cambridge (CA)

(73) Assignee: **WIS International**, Mississauga, Ontario (CA)

(**) Term: **14 Years**

(21) Appl. No.: **29/365,524**

(22) Filed: **Jul. 9, 2010**

(51) **LOC (9) Cl.** **14-02**

(52) **U.S. Cl.** **D14/426; D14/429**

(58) **Field of Classification Search** D14/420, D14/426-430, 453, 346, 341, 347, 412, 138; D13/107, 184; 358/473; 235/462.43, 462.45, 235/462.47, 462.48, 462.44, 462.46, 487, 235/472.01, 472.02, 145 A, 145 R; D10/78; 324/426; D3/273; 710/73; D18/7; 361/679; 382/313, 321; 455/575.1, 561, 572; 345/156, 345/168, 169, 172, 173, 87

See application file for complete search history.

(56) **References Cited**

U.S. PATENT DOCUMENTS

D206,004	S	*	10/1966	Perkins et al.	D10/78
D224,596	S	*	8/1972	Winfrey et al.	D10/78
D226,271	S	*	2/1973	Holtzman	D10/78
D239,287	S	*	3/1976	Ault	D14/341
D240,610	S	*	7/1976	Schwartz	D10/78
D241,751	S	*	10/1976	Jensen	D14/130
4,007,443	A	*	2/1977	Bromberg et al.	708/146
D248,946	S	*	8/1978	Koenig	D14/429
D249,345	S	*	9/1978	Oliveira et al.	D14/346
D250,294	S	*	11/1978	Rose	D18/7
4,158,194	A	*	6/1979	McWaters et al.	382/313
D257,560	S	*	11/1980	Jang	D14/347
4,268,721	A	*	5/1981	Nielson et al.	379/52
D266,501	S	*	10/1982	Stefanik	D13/168

D277,462	S	*	2/1985	Jacobsen et al.	D10/70
D283,711	S	*	5/1986	Deura et al.	D14/347
4,621,189	A	*	11/1986	Kumar et al.	235/462.45
4,696,189	A	*	9/1987	Hochreuther	73/431
D292,401	S	*	10/1987	Lee et al.	D14/188

(Continued)

OTHER PUBLICATIONS

Houri, R. et al., abandoned U.S. Appl. No. 12/569,670, filed Sep. 29, 2009, titled "System and Method for Assigning Plurality of Locations to Individuals and Routing Individuals to Locations," non-published.

(Continued)

Primary Examiner — Susan Moon Lee

(74) *Attorney, Agent, or Firm* — Michael A. Rahman; Storm LLP

(57) **CLAIM**

The ornamental design for a hand-held data collector with removable scanner, as shown and described.

DESCRIPTION

FIG. 1 is an isometric view of the hand-held data collector with removable scanner.

FIG. 2 is a front view of the hand-held data collector with removable scanner of FIG. 1.

FIG. 3 is a rear view of the hand-held data collector with removable scanner of FIG. 1.

FIG. 4 is a right side view of the hand-held data collector with removable scanner of FIG. 1.

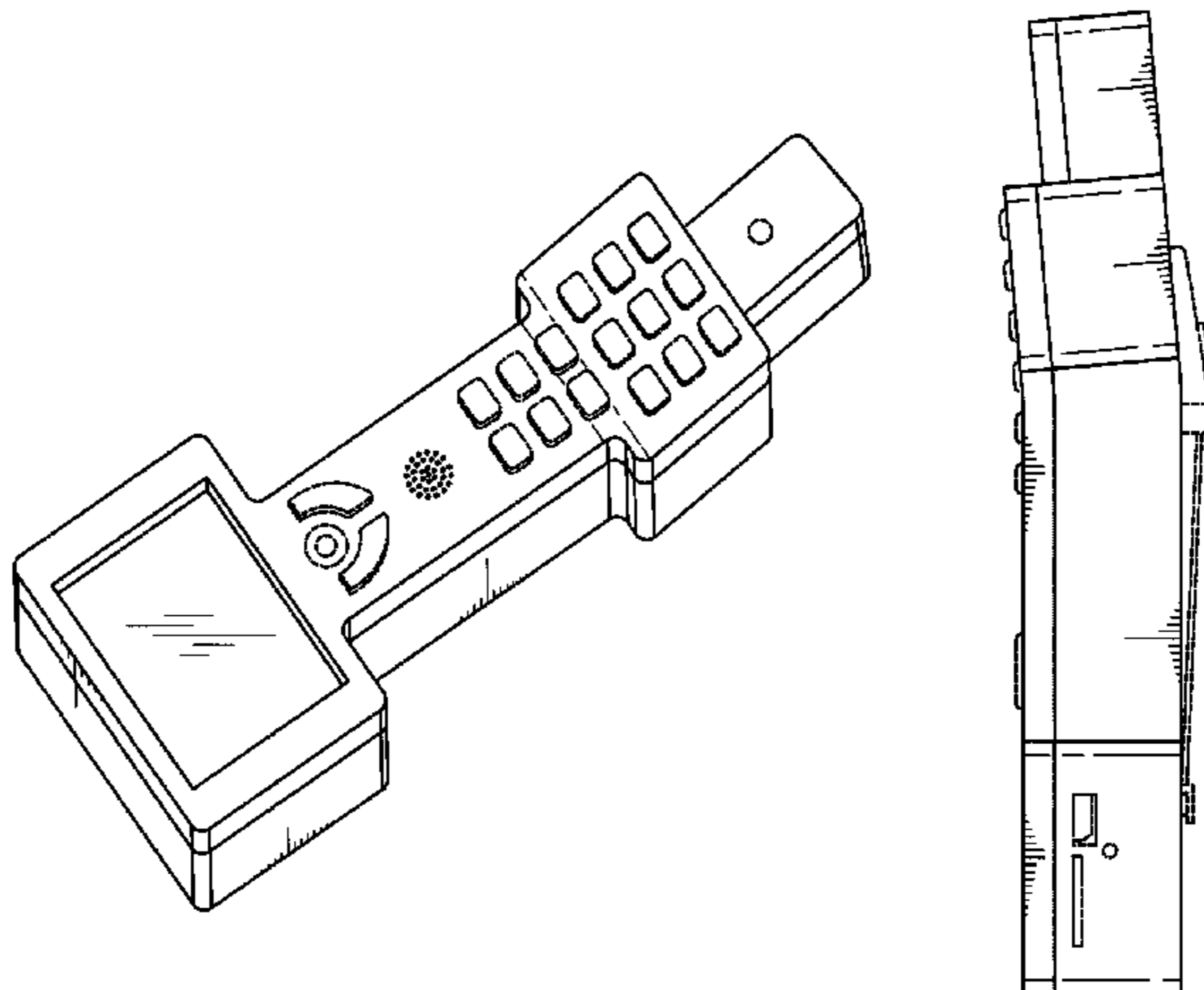
FIG. 5 is a left side view of the hand-held data collector with removable scanner of FIG. 1.

FIG. 6 is a top view of the hand-held data collector with removable scanner of FIG. 1; and,

FIG. 7 is a bottom view of the hand-held data collector with removable scanner of FIG. 1.

The broken lines showing portions of the hand-held data collector with removable scanner are included for the purpose of illustrating environmental structure and form no part of the claimed design.

1 Claim, 4 Drawing Sheets



U.S. PATENT DOCUMENTS

D295,411 S * 4/1988 Cho et al. D14/347
 D297,429 S * 8/1988 Pedinielli et al. D14/347
 D298,922 S * 12/1988 Hinkle D10/46.1
 D299,235 S * 1/1989 Feger et al. D14/347
 D302,265 S * 7/1989 Siegner et al. D14/347
 D302,269 S * 7/1989 Kelly D14/374
 4,845,650 A * 7/1989 Meade et al. 101/66
 D305,884 S * 2/1990 Krichever et al. D14/429
 D308,359 S * 6/1990 Lauchnor et al. D13/168
 D311,699 S * 10/1990 Mo D10/78
 D312,622 S * 12/1990 Alden et al. D14/347
 D313,563 S * 1/1991 Mieczkowski et al. D10/78
 4,983,818 A * 1/1991 Knowles 235/462.47
 D319,059 S * 8/1991 Divine D14/168
 D322,610 S * 12/1991 Auerbach et al. D14/218
 D324,060 S * 2/1992 Huang D16/135
 5,202,817 A * 4/1993 Koenck et al. 361/679.09
 D336,619 S * 6/1993 Dushane et al. D10/78
 D338,002 S * 8/1993 Kapec et al. D14/429
 D339,994 S * 10/1993 Rohmann D10/78
 D340,034 S * 10/1993 Hofstetter et al. D14/426
 D340,236 S * 10/1993 Sandor D14/429
 D340,237 S * 10/1993 Swartz D14/429
 D342,723 S * 12/1993 Fenkart D14/347
 D347,590 S * 6/1994 Schwan D10/78
 D349,604 S * 8/1994 Kumar et al. D14/347
 D350,118 S * 8/1994 Kumar et al. D14/347
 D350,119 S * 8/1994 Kumar et al. D14/343
 D350,334 S * 9/1994 Kumar et al. D14/429
 D350,335 S * 9/1994 Kumar et al. D14/347
 D350,336 S * 9/1994 Kumar et al. D14/429
 D350,962 S * 9/1994 Reardon et al. D14/218
 D352,716 S * 11/1994 Shindo D14/217
 D357,240 S * 4/1995 Kitazumi et al. D14/429
 D357,876 S * 5/1995 McConnell D10/78
 D357,917 S * 5/1995 Ito et al. D14/218
 5,418,684 A * 5/1995 Koenck et al. 235/472.02
 D361,288 S * 8/1995 Chandwick et al. D10/78
 D363,470 S * 10/1995 Yamamoto D14/347
 5,471,042 A * 11/1995 Kirkeby et al. 235/472.02
 5,485,504 A * 1/1996 Ohnsorge 455/566
 D369,786 S * 5/1996 Hagerty D14/429
 5,541,840 A * 7/1996 Gurne et al. 701/33
 D374,183 S * 10/1996 Skinner et al. D10/78
 D374,221 S * 10/1996 Ruiz D14/426
 D381,975 S * 8/1997 Trausch et al. D14/426
 D382,269 S * 8/1997 Terk et al. D14/204
 D383,124 S * 9/1997 Lanzaro et al. D14/429
 5,679,943 A * 10/1997 Schultz et al. 235/472.02
 D386,152 S * 11/1997 Warneke D14/347
 D391,234 S * 2/1998 Chacon et al. D14/341
 D392,636 S * 3/1998 Faulknor et al. D14/144

D393,601 S * 4/1998 Skiffington D10/78
 D393,628 S * 4/1998 Ledbetter et al. D13/168
 D393,631 S * 4/1998 Yotukura D14/339
 5,796,088 A * 8/1998 Wall 235/472.01
 D398,903 S * 9/1998 Chacon et al. D14/343
 5,831,819 A * 11/1998 Chacon et al. 361/679.56
 D403,259 S * 12/1998 Tsubota et al. D10/81
 D403,604 S * 1/1999 Tsubota et al. D10/81
 D404,433 S * 1/1999 Au Yeung D21/329
 D413,537 S * 9/1999 Grossman et al. D10/78
 D414,470 S * 9/1999 Chacon et al. D14/341
 D417,445 S * 12/1999 Chacon et al. D14/399
 D418,132 S * 12/1999 Zoiss et al. D14/147
 6,039,256 A * 3/2000 Konosu et al. 235/462.43
 D429,226 S * 8/2000 Siddoway et al. D14/347
 6,097,606 A * 8/2000 Groves et al. 361/747
 D431,236 S * 9/2000 Read et al. D14/149
 D434,762 S * 12/2000 Ikenaga D14/371
 6,181,992 B1 * 1/2001 Gurne et al. 701/29
 6,244,512 B1 * 6/2001 Koenck et al. 235/472.01
 D447,141 S * 8/2001 Itoh et al. D14/385
 D477,598 S * 7/2003 Mathiowetz et al. D14/347
 6,658,915 B2 * 12/2003 Sunshine et al. 73/23.2
 D490,731 S * 6/2004 Bradford D10/78
 D491,590 S * 6/2004 Singer et al. D16/135
 D512,698 S * 12/2005 Augenbraun et al. D14/130
 D522,504 S * 6/2006 Steiger et al. D14/347
 7,077,328 B2 * 7/2006 Krishnaswamy
 et al. 235/472.01
 D532,381 S * 11/2006 Velazquez D13/168
 D535,296 S * 1/2007 Boulware D14/385
 D548,119 S * 8/2007 Hernandez, Jr. D10/78
 D560,527 S * 1/2008 Rich et al. D10/78
 D574,380 S * 8/2008 Freed et al. D14/426
 D574,831 S * 8/2008 Kennedy et al. D14/426
 D589,905 S * 4/2009 Lin et al. D13/168
 D589,928 S * 4/2009 Haspil et al. D14/147
 D594,361 S * 6/2009 Miller et al. D10/78
 D594,362 S * 6/2009 Miller D10/78
 D611,943 S * 3/2010 Boyd D14/346
 7,712,669 B2 * 5/2010 Mahany et al. 235/472.02
 2006/0085293 A1 4/2006 Melucci
 2006/0095347 A1 5/2006 Melucci et al.
 2006/0217876 A1 9/2006 Hourie et al.
 2007/0262142 A1 11/2007 Whitehouse et al.

OTHER PUBLICATIONS

Pending U.S. Appl. No. 29/365,528, filed Jul. 9, 2010, titled "Hand-held Data Collector With Removable Scanner" and having common inventors with the present design patent application.

* cited by examiner

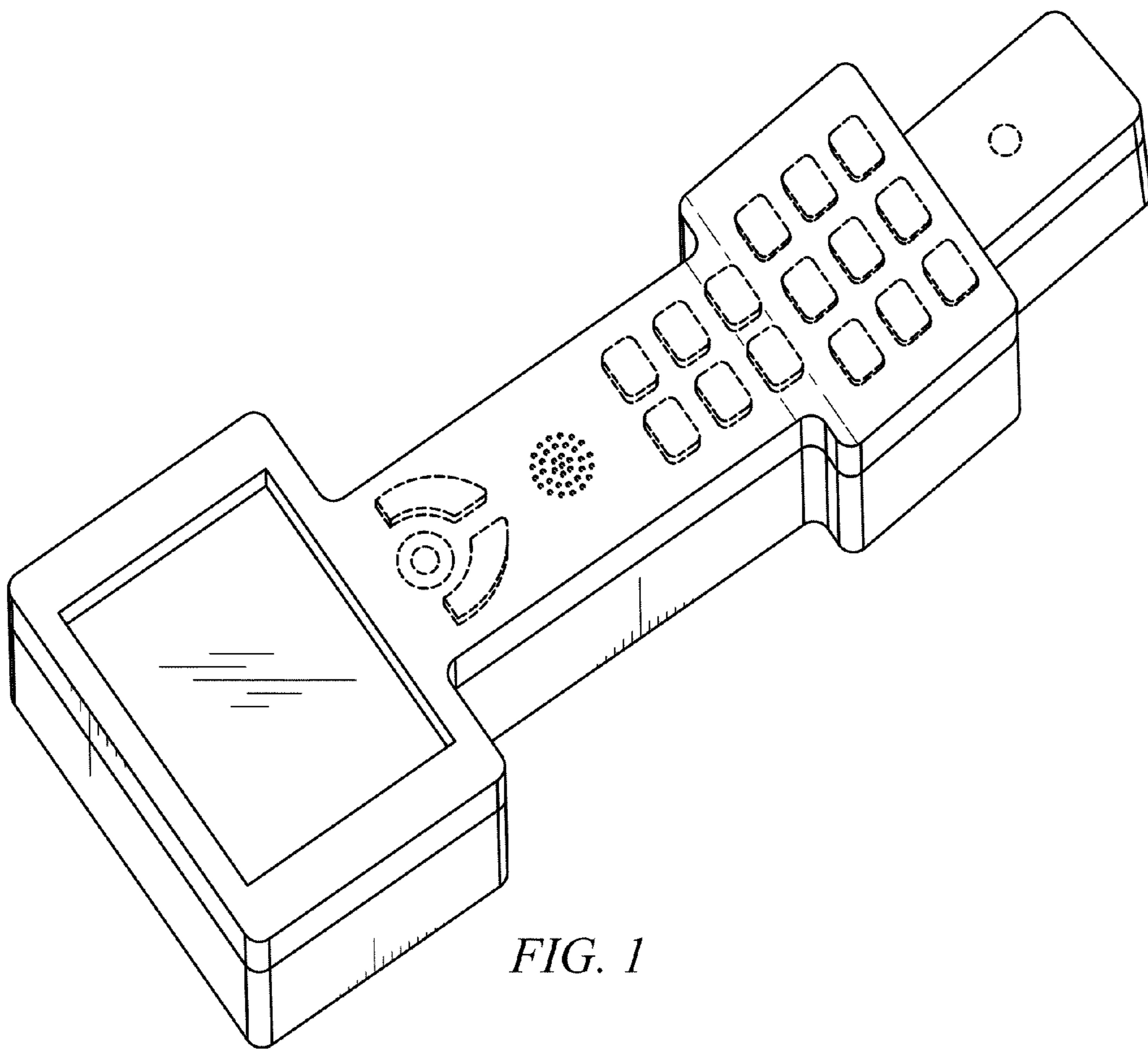


FIG. 1

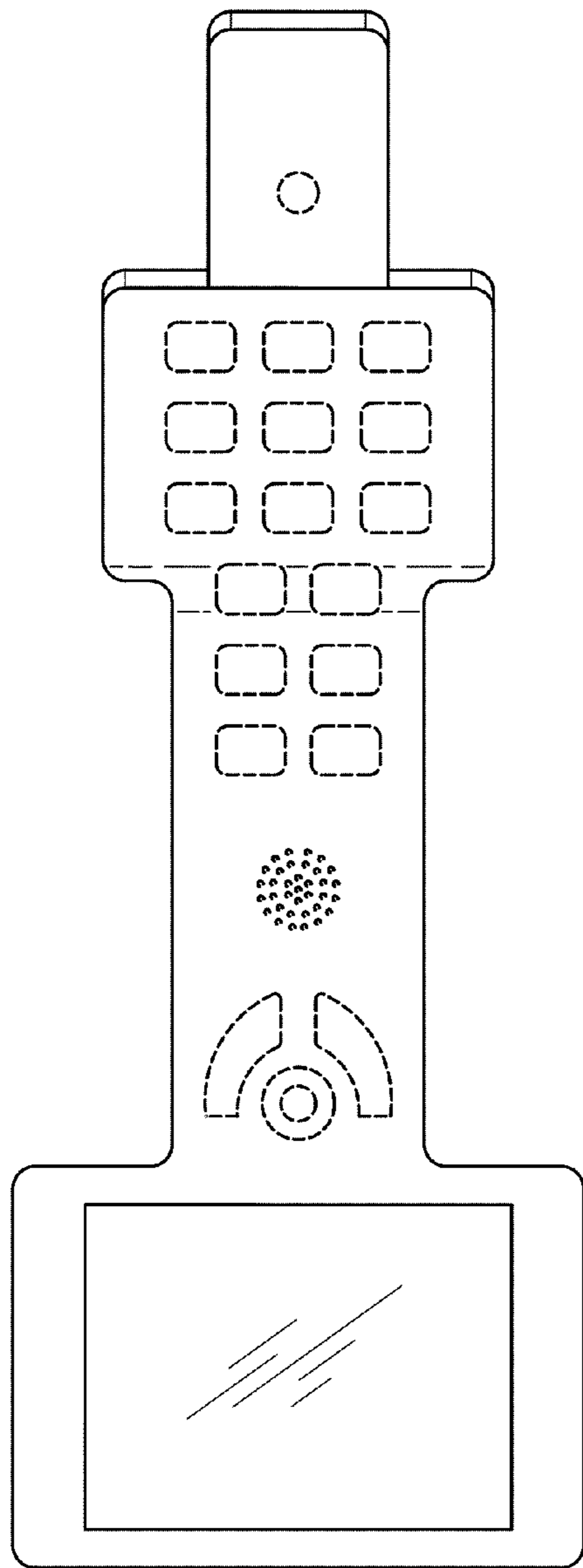


FIG. 2

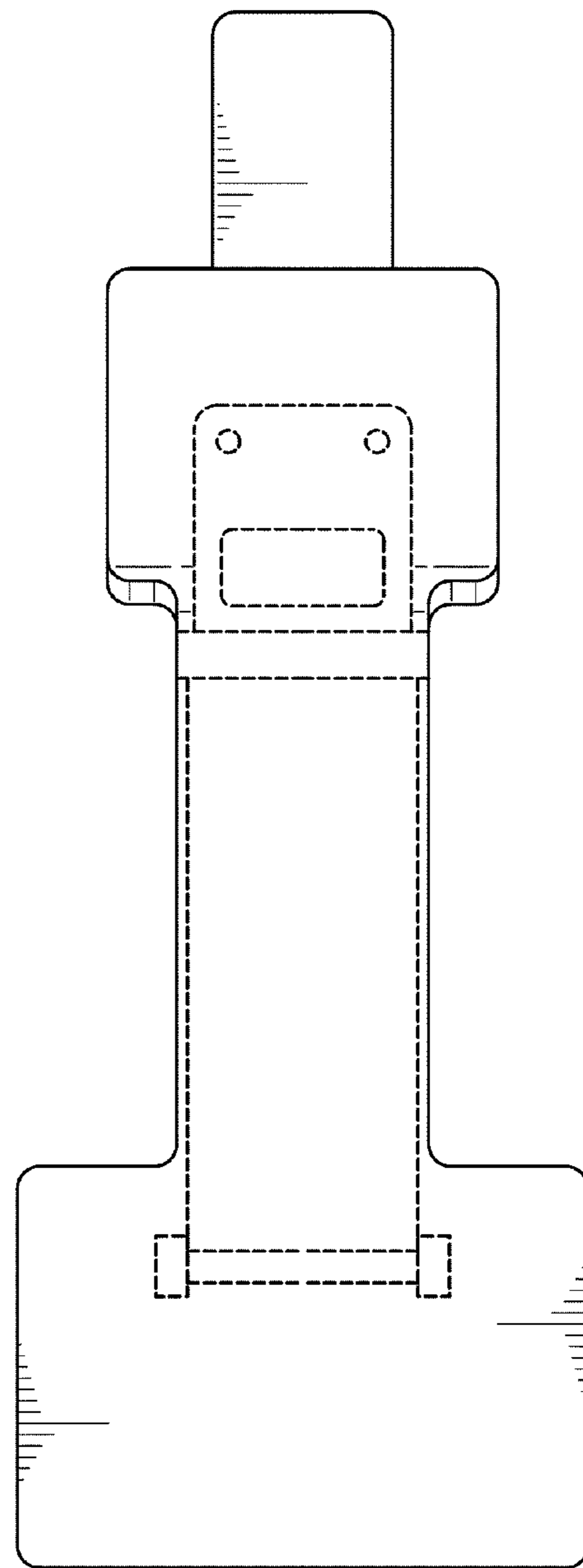


FIG. 3

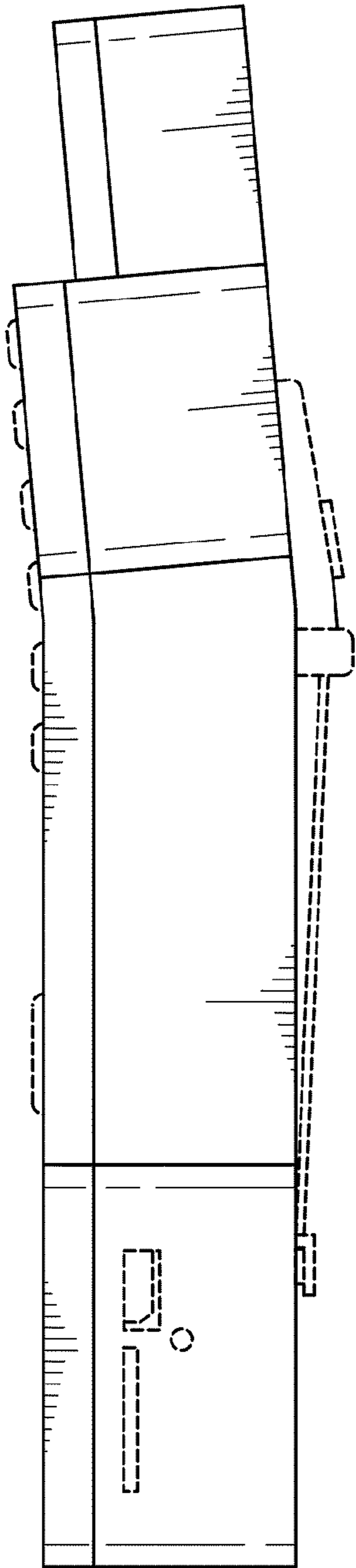


FIG. 4

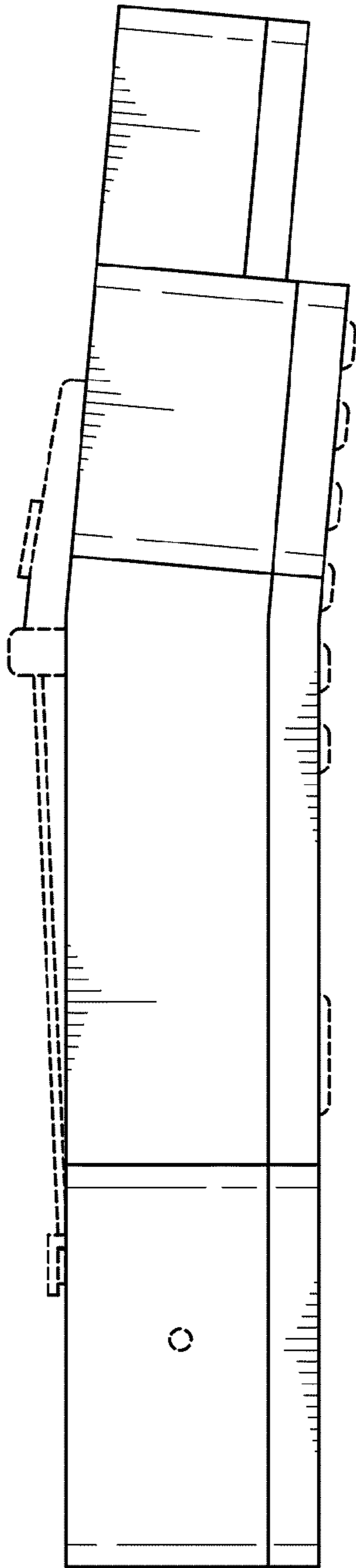


FIG. 5

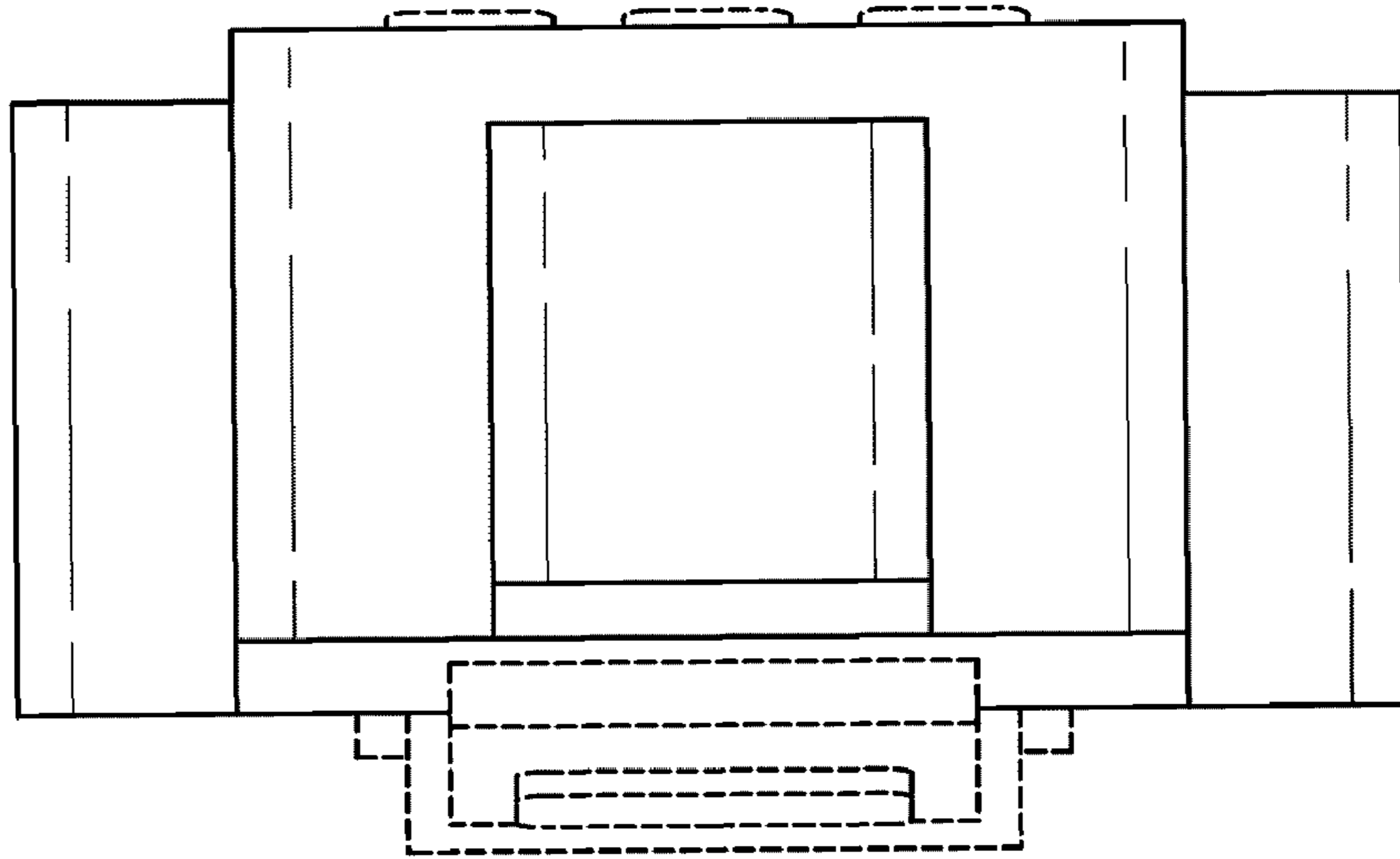


FIG. 6

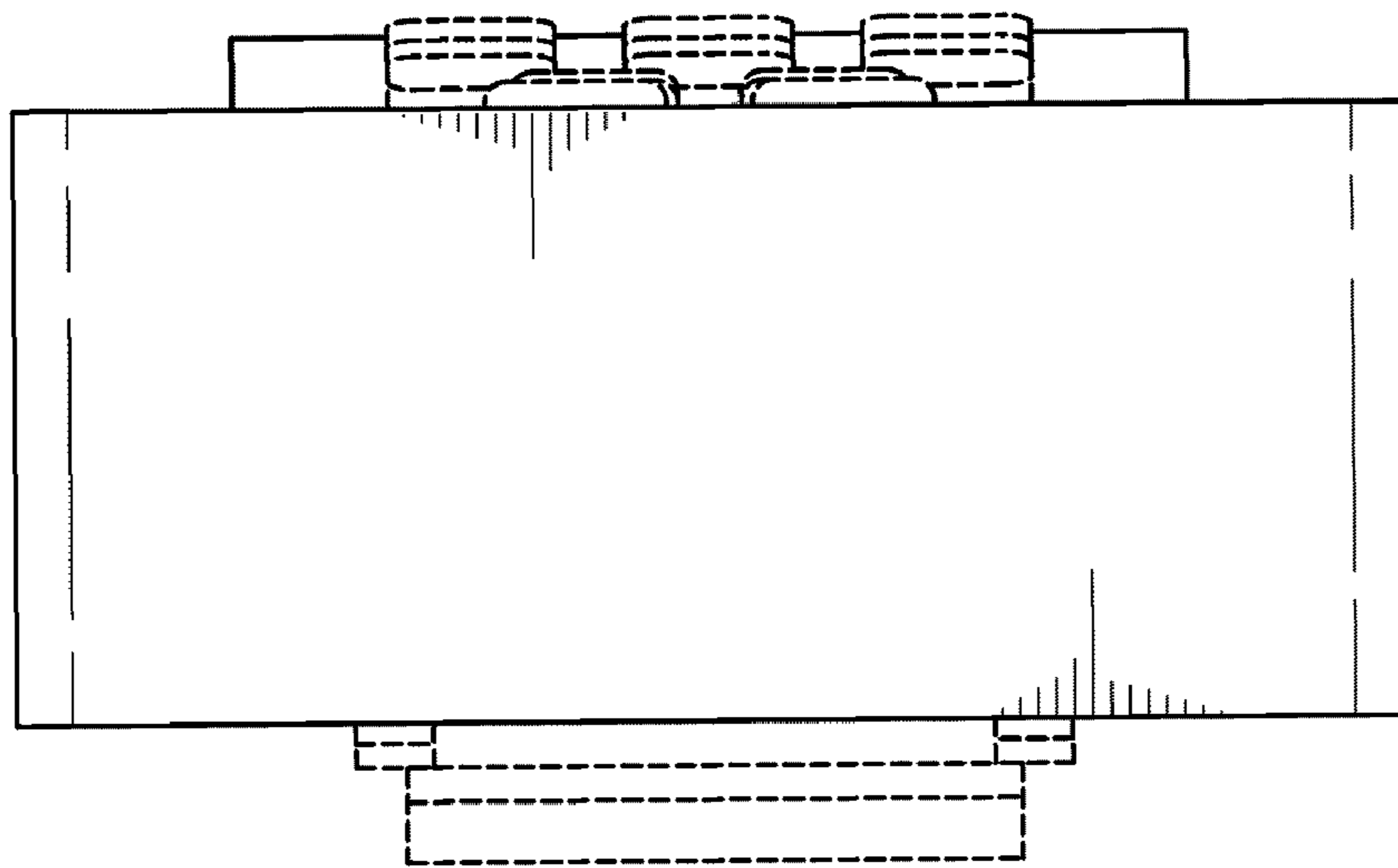


FIG. 7