



US00D646281S

(12) **United States Design Patent**
Markowitz et al.

(10) **Patent No.:** **US D646,281 S**

(45) **Date of Patent:** **** Oct. 4, 2011**

(54) **SUBMACHINE GUN FOR VIDEO GAMES**

(75) Inventors: **Lipa Markowitz**, Brooklyn, NY (US);
Fu Qiawg, ShenZhen (CN)

(73) Assignee: **CTA Digital, Inc.**, Brooklyn, NY (US)

(**) Term: **14 Years**

(21) Appl. No.: **29/382,392**

(22) Filed: **Jan. 3, 2011**

(51) **LOC (9) Cl.** **14-02**

(52) **U.S. Cl.** **D14/418; D21/333**

(58) **Field of Classification Search** D14/399-402,
D14/418, 496; D21/324, 328, 333, 573,
D21/575; 273/148 B, 440, 459, 460; 463/1,
463/30-36, 46, 47; 345/156, 161; 434/16,
434/18, 19, 20, 24

See application file for complete search history.

(56) **References Cited**

U.S. PATENT DOCUMENTS

4,175,747 A * 11/1979 Hudson 463/49
5,004,444 A * 4/1991 Chih 446/406
5,351,969 A * 10/1994 Smith et al. 463/5
5,569,085 A * 10/1996 Igarashi et al. 463/49

D398,661 S * 9/1998 Lee D21/333
D433,074 S * 10/2000 Clemmer D21/324
D436,108 S * 1/2001 Lee D14/418
D467,926 S * 12/2002 Lin D14/418
D482,743 S * 11/2003 Chang D21/573
6,902,483 B2 * 6/2005 Lin 463/37
D521,568 S * 5/2006 Hussaini et al. D21/333
D524,871 S * 7/2006 Nunokawa D21/333
D614,624 S * 4/2010 Zhang D14/418

* cited by examiner

Primary Examiner — Prabhakar Deshmukh

(74) *Attorney, Agent, or Firm* — Levisohn Berger, LLP

(57) **CLAIM**

The ornamental design for a submachine gun for video games, as shown and described.

DESCRIPTION

FIG. 1 is a perspective view of a submachine gun for video games showing our new design.

FIG. 2 is a right side view thereof.

FIG. 3 is a left side view thereof.

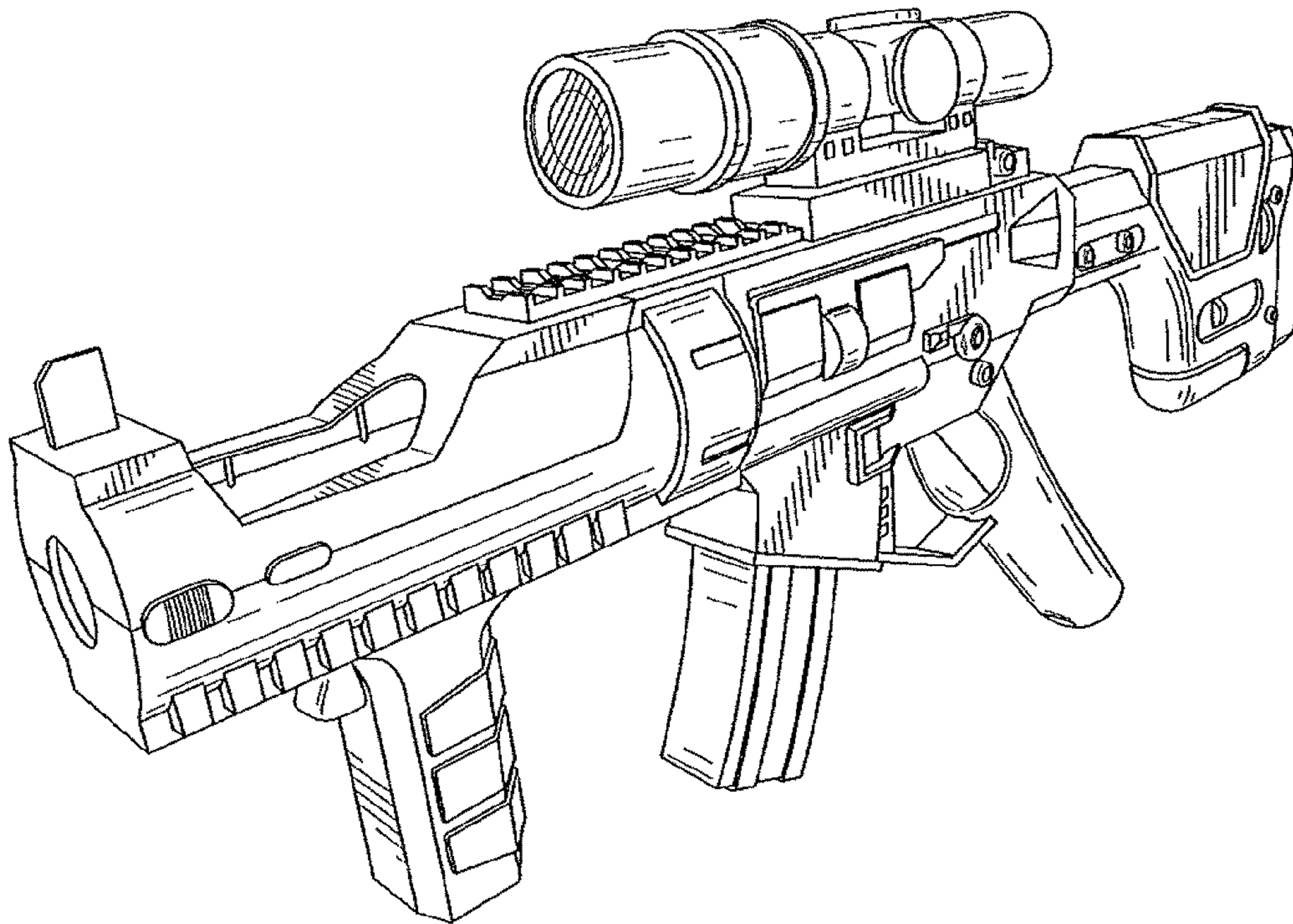
FIG. 4 is a top plan view thereof

FIG. 5 is a bottom plan view thereof.

FIG. 6 is a front view thereof; and,

FIG. 7 is a rear view thereof.

1 Claim, 7 Drawing Sheets



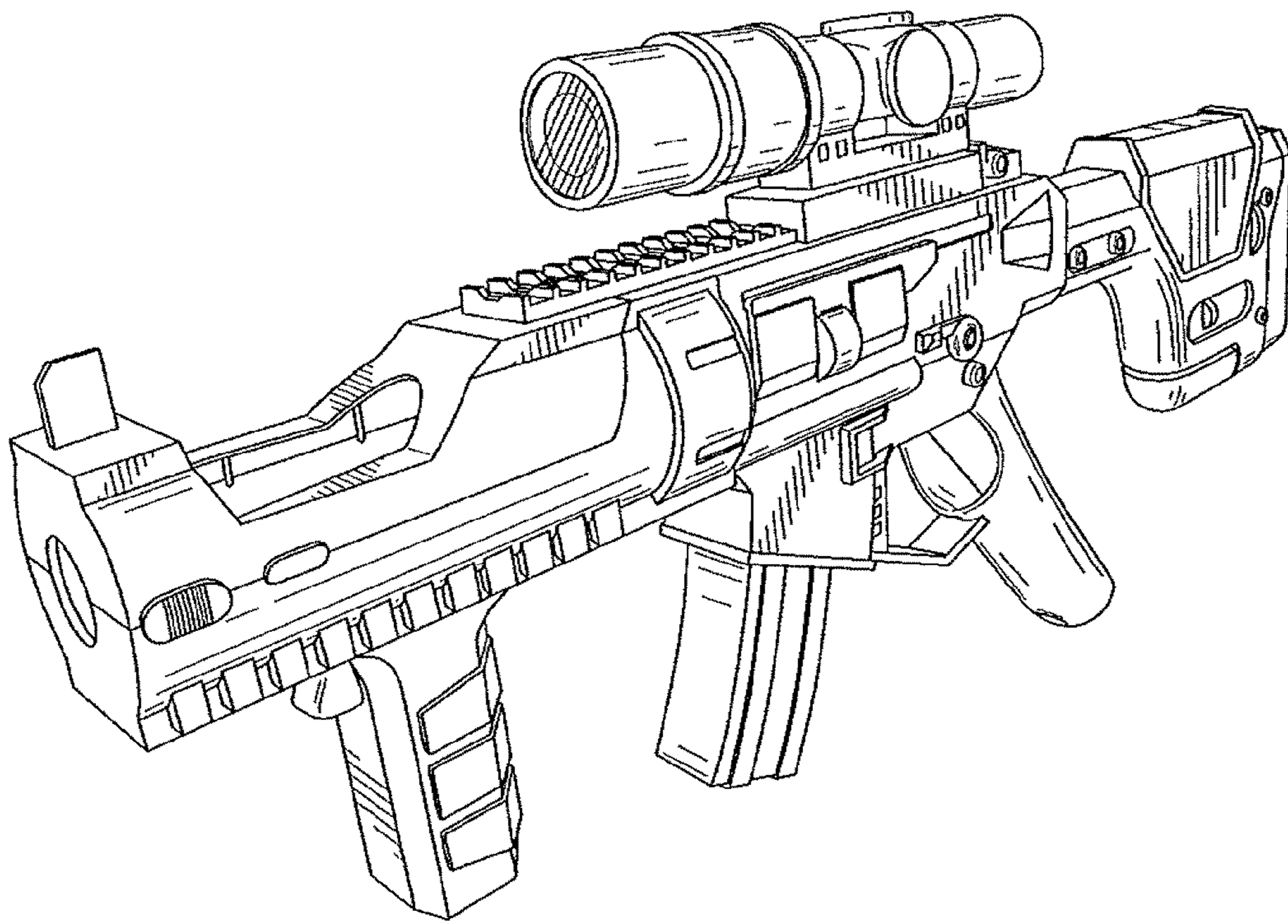


FIG. 1

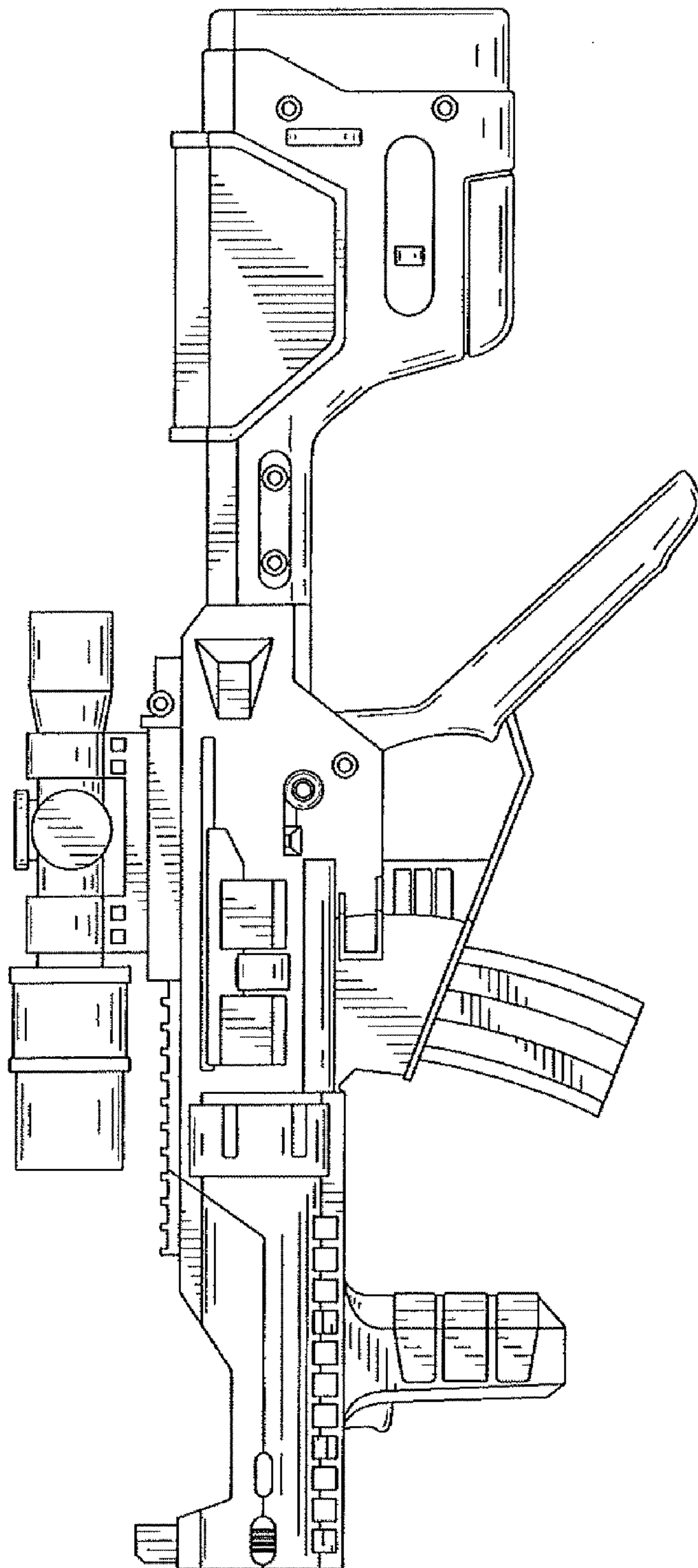


FIG. 2

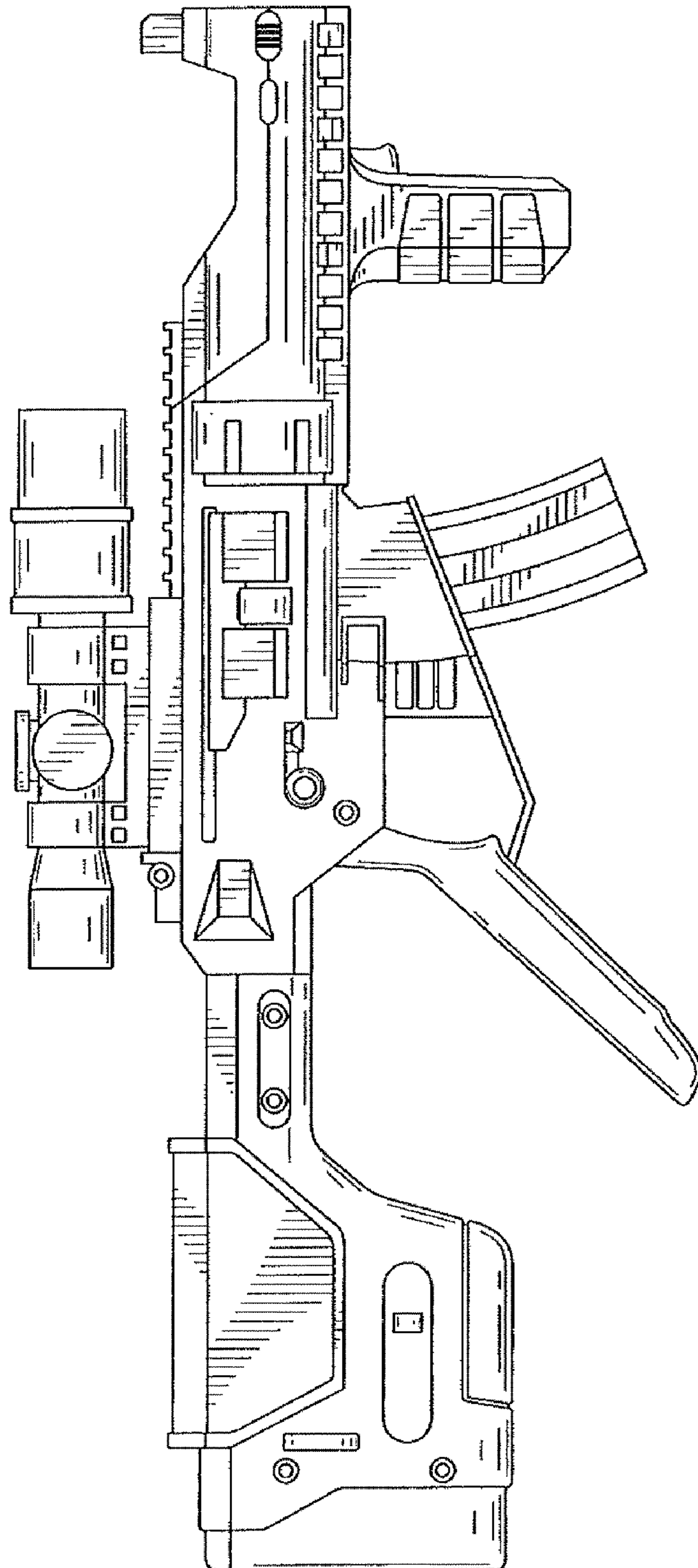


FIG. 3

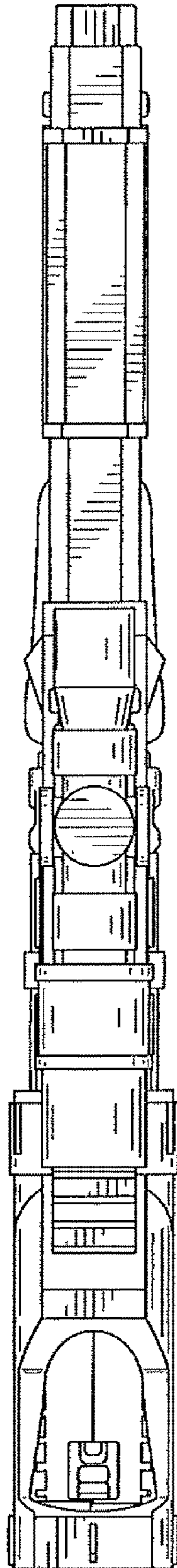


FIG. 4

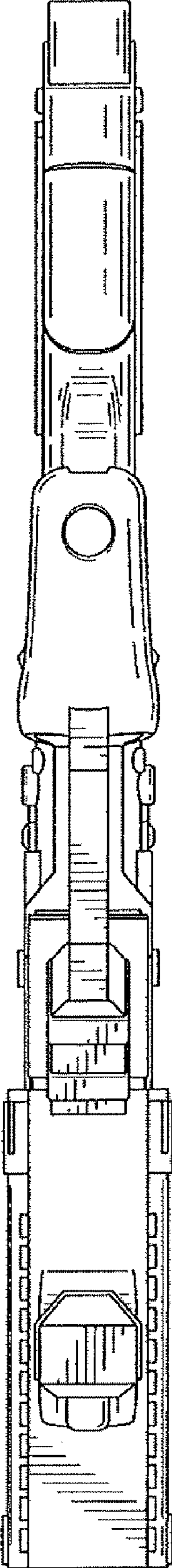


FIG. 5

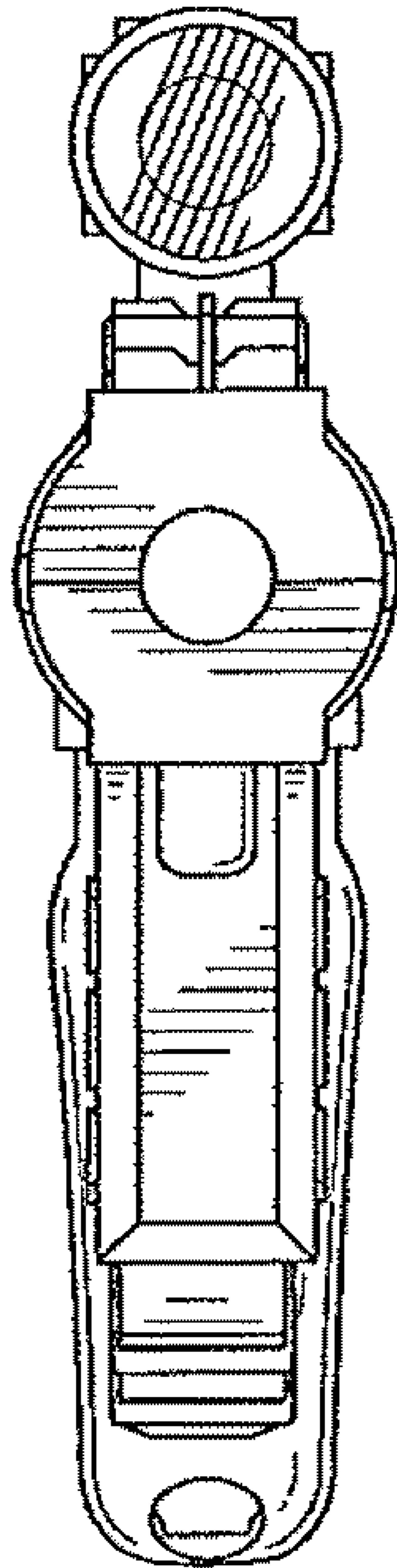


FIG. 6

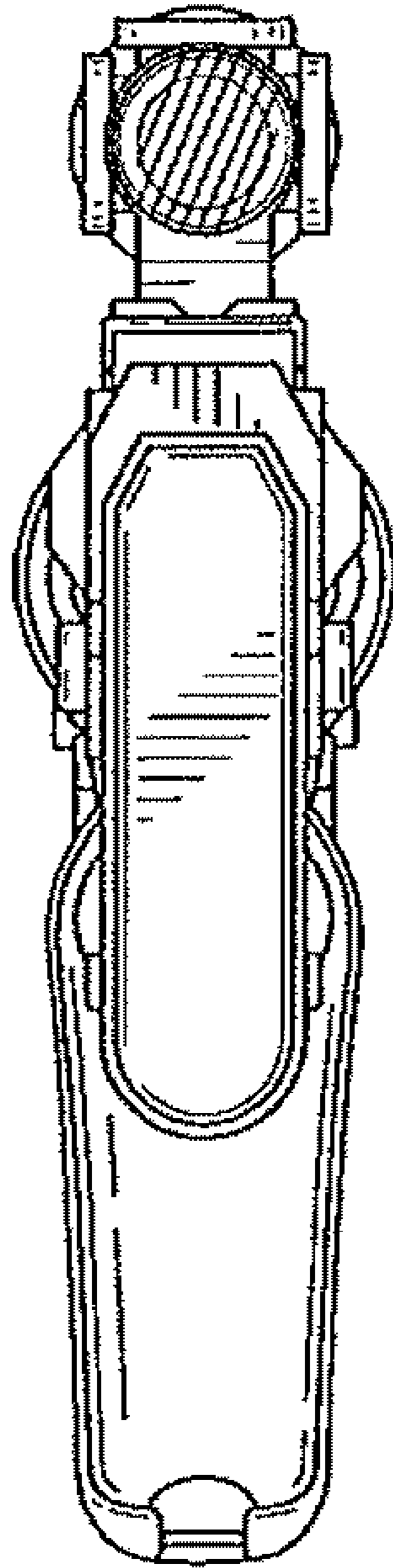


FIG. 7