



US00D646278S

(12) **United States Design Patent**
Hong

(10) **Patent No.:** **US D646,278 S**

(45) **Date of Patent:** **** Oct. 4, 2011**

- (54) **TOUCH PEN FOR TOUCH PANEL**
- (75) Inventor: **Royce Yu-Chun Hong**, Taipei (TW)
- (73) Assignee: **IPEVO Corp.**, Taipei (TW)
- (**) Term: **14 Years**
- (21) Appl. No.: **29/388,324**
- (22) Filed: **Mar. 28, 2011**
- (51) **LOC (9) Cl.** **14-02**
- (52) **U.S. Cl.** **D14/411**
- (58) **Field of Classification Search** D8/61;
D14/411, 431, 404, 390; D19/35, 36, 41-51,
D19/54-58; D21/330; 345/179, 173, 156;
178/19.01, 19.03; 700/94; 401/258, 52
See application file for complete search history.

(56) **References Cited**

U.S. PATENT DOCUMENTS

| | | | | | |
|-----------|-----|---------|----------------|-------|----------|
| 1,472,397 | A * | 10/1923 | Leedy | | 84/422.4 |
| 1,953,619 | A * | 4/1934 | Ludwig | | 84/422.4 |
| D195,924 | S * | 8/1963 | Perlmutter | | D19/45 |
| 3,147,660 | A * | 9/1964 | Brilhart | | 84/422.3 |
| 3,722,350 | A * | 3/1973 | Cordes | | 84/422.4 |
| 4,702,143 | A * | 10/1987 | Brochstein | | 84/422.4 |
| D308,390 | S * | 6/1990 | Kennedy et al. | | D17/22 |
| D344,760 | S * | 3/1994 | Monzyk | | D19/49 |
| 5,503,056 | A * | 4/1996 | Evans | | 84/422.4 |
| 5,865,862 | A * | 2/1999 | Hassan | | 44/507 |
| 6,028,261 | A * | 2/2000 | Johnson | | 84/422.4 |

| | | | | | |
|-----------|------|---------|--------------|-------|----------|
| D443,640 | S * | 6/2001 | Schapiro | | D19/35 |
| 6,307,138 | B1 * | 10/2001 | Simpson | | 84/422.4 |
| 6,423,891 | B1 * | 7/2002 | Zengerle | | 84/422.4 |
| 6,680,029 | B2 * | 1/2004 | Stanley, III | | 422/126 |
| 6,825,407 | B1 * | 11/2004 | Curren | | 84/402 |
| 7,375,271 | B1 * | 5/2008 | Zelinsky | | 84/422.4 |
| 7,598,446 | B2 * | 10/2009 | Lento | | 84/422.4 |
| 7,649,133 | B2 * | 1/2010 | Lento | | 84/422.4 |
| D634,325 | S * | 3/2011 | Naulapaa | | D14/411 |
| D634,747 | S * | 3/2011 | Wong et al. | | D14/411 |

* cited by examiner

Primary Examiner — Austin Murphy

(74) *Attorney, Agent, or Firm* — Muncy, Geissler, Olds & Lowe, PLLC

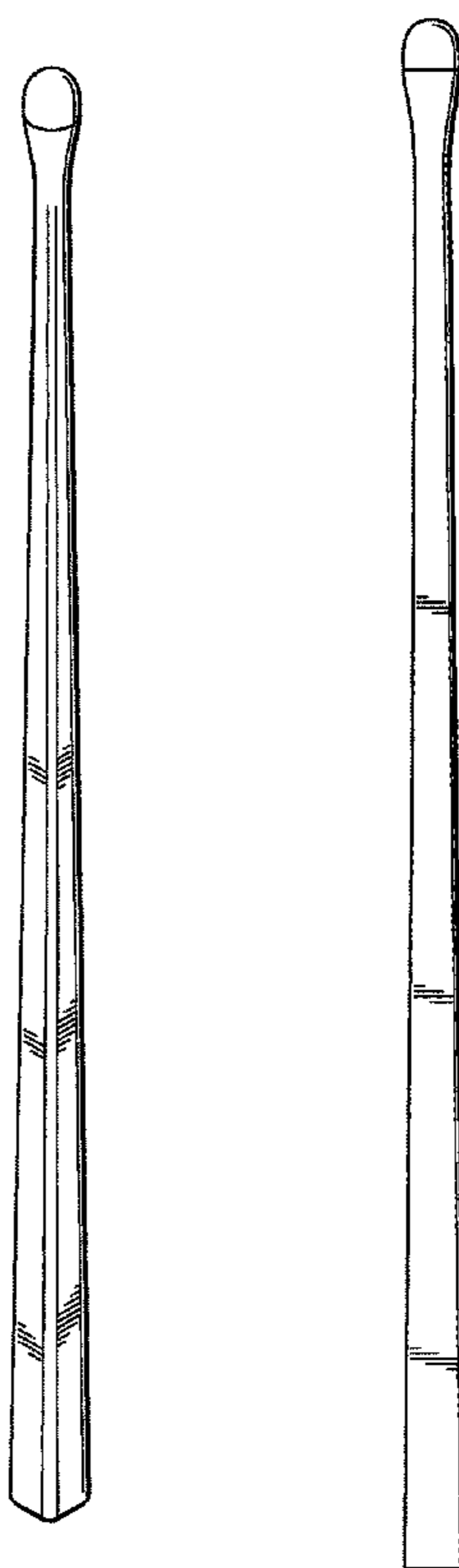
(57) **CLAIM**

The ornamental design for a touch pen for a touch panel, as shown and described.

DESCRIPTION

FIG. 1 is a perspective view of a touch pen for a touch panel in accordance with my design;
 FIG. 2 is a front view thereof;
 FIG. 3 is a rear view thereof;
 FIG. 4 is a top view thereof;
 FIG. 5 is a bottom view thereof; and,
 FIG. 6 is a front perspective view thereof showing the touch pen for touch panel shown in a position of use.
 The broken lines shown in FIG. 6 represent unclaimed portions of the environment and form no part of the claimed design.

1 Claim, 4 Drawing Sheets



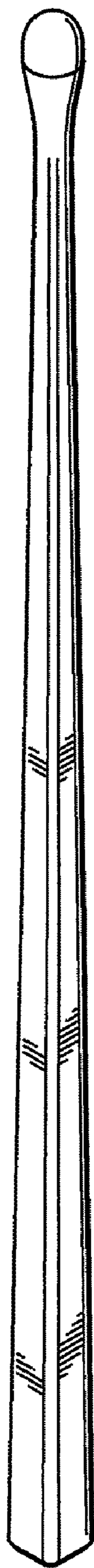


FIG. 1



FIG. 2



FIG. 3

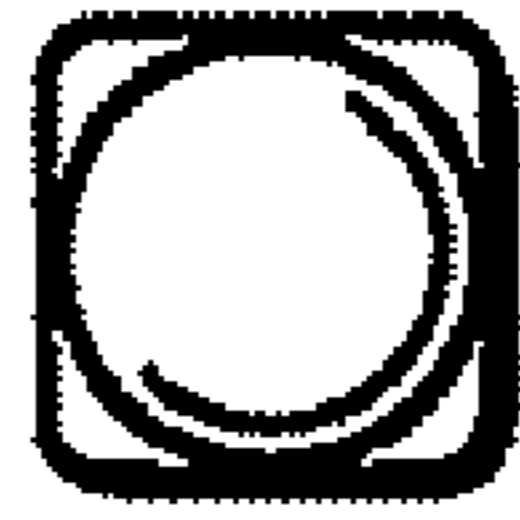


FIG. 4



FIG. 5

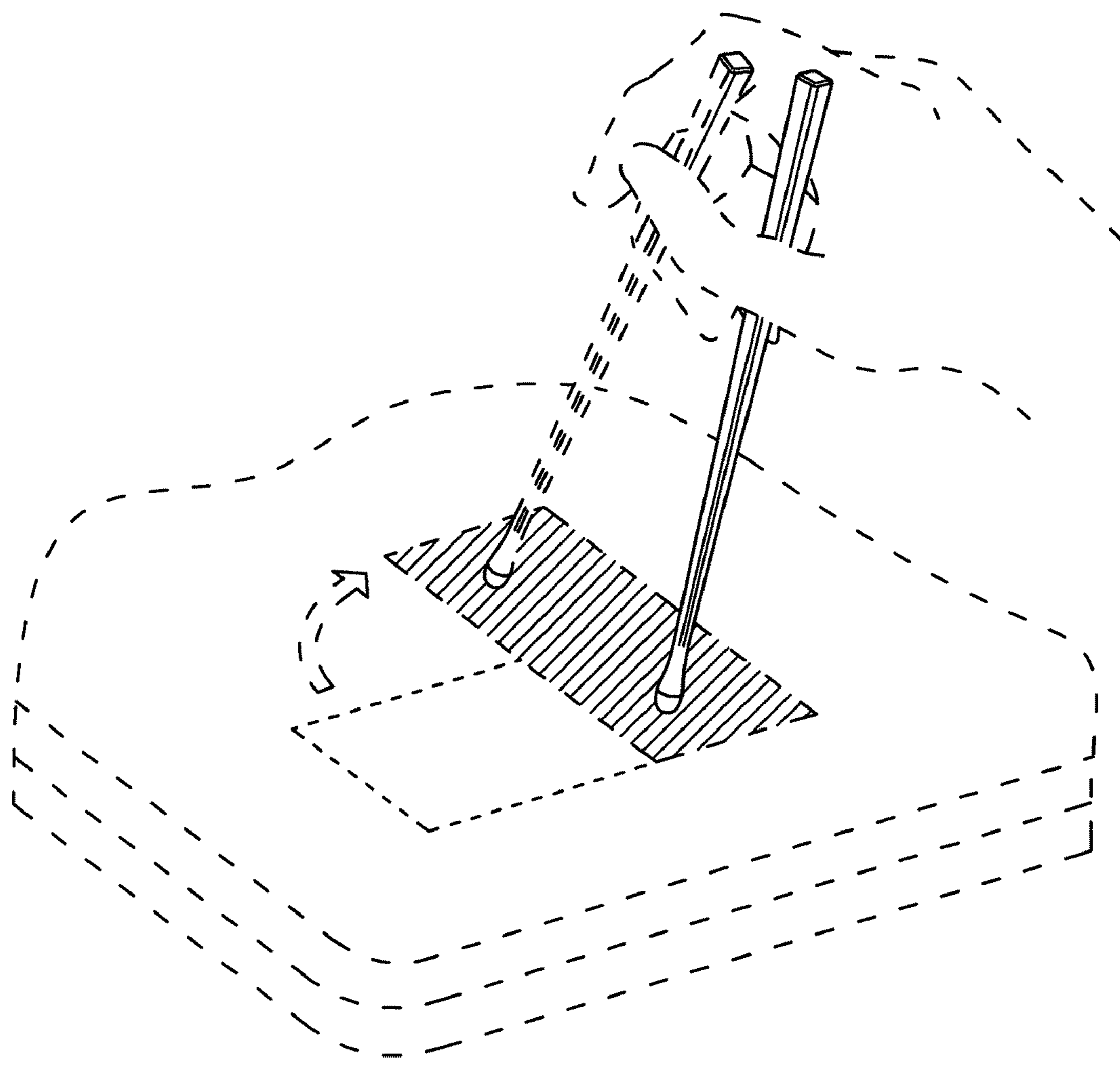


FIG. 6