

US00D646276S

(12) **United States Design Patent**
Huang

(10) **Patent No.:** **US D646,276 S**

(45) **Date of Patent:** **** Oct. 4, 2011**

(54) **STORABLE SWIVEL MOUSE**

(75) Inventor: **Chi-Sheng Huang**, Taipei (TW)

(73) Assignee: **Chicony Electronics Co., Ltd.**, New Taipei (TW)

(**) Term: **14 Years**

(21) Appl. No.: **29/389,043**

(22) Filed: **Apr. 6, 2011**

(30) **Foreign Application Priority Data**

Dec. 16, 2010 (TW) 99306498

(51) **LOC (9) Cl.** **14-02**

(52) **U.S. Cl.** **D14/402**

(58) **Field of Classification Search** D14/402-411,
D14/356, 388, 389, 383-385, 417, 426;
345/156-167; 463/36-38; 358/471, 473;
273/148 B

See application file for complete search history.

(56) **References Cited**

U.S. PATENT DOCUMENTS

- D288,930 S * 3/1987 Barbera et al. D14/402
- D302,426 S * 7/1989 Bradley et al. D14/402
- D338,883 S * 8/1993 Melzer et al. D14/402
- D351,391 S * 10/1994 Martin D14/225
- D357,238 S * 4/1995 Zirinsky D14/402
- D359,277 S * 6/1995 Dann et al. D14/402

- D440,971 S * 4/2001 Gombert D14/402
- D441,749 S * 5/2001 Swan et al. D14/402
- D447,487 S * 9/2001 McFarlane et al. D14/454
- D506,199 S * 6/2005 Huang et al. D14/408
- D512,425 S * 12/2005 Watanabe et al. D14/402
- D616,443 S * 5/2010 Chatterjee et al. D14/402
- 7,737,946 B2 * 6/2010 Yen 345/163

* cited by examiner

Primary Examiner — Austin Murphy

(74) *Attorney, Agent, or Firm* — Birch, Stewart, Kolasch & Birch, LLP

(57) **CLAIM**

The ornamental design for a storable swivel mouse, as shown and described.

DESCRIPTION

FIG. 1 is a perspective view of the storable swivel mouse showing my new design.

FIG. 2 is a front view thereof;

FIG. 3 is a rear view thereof;

FIG. 4 is a top view thereof;

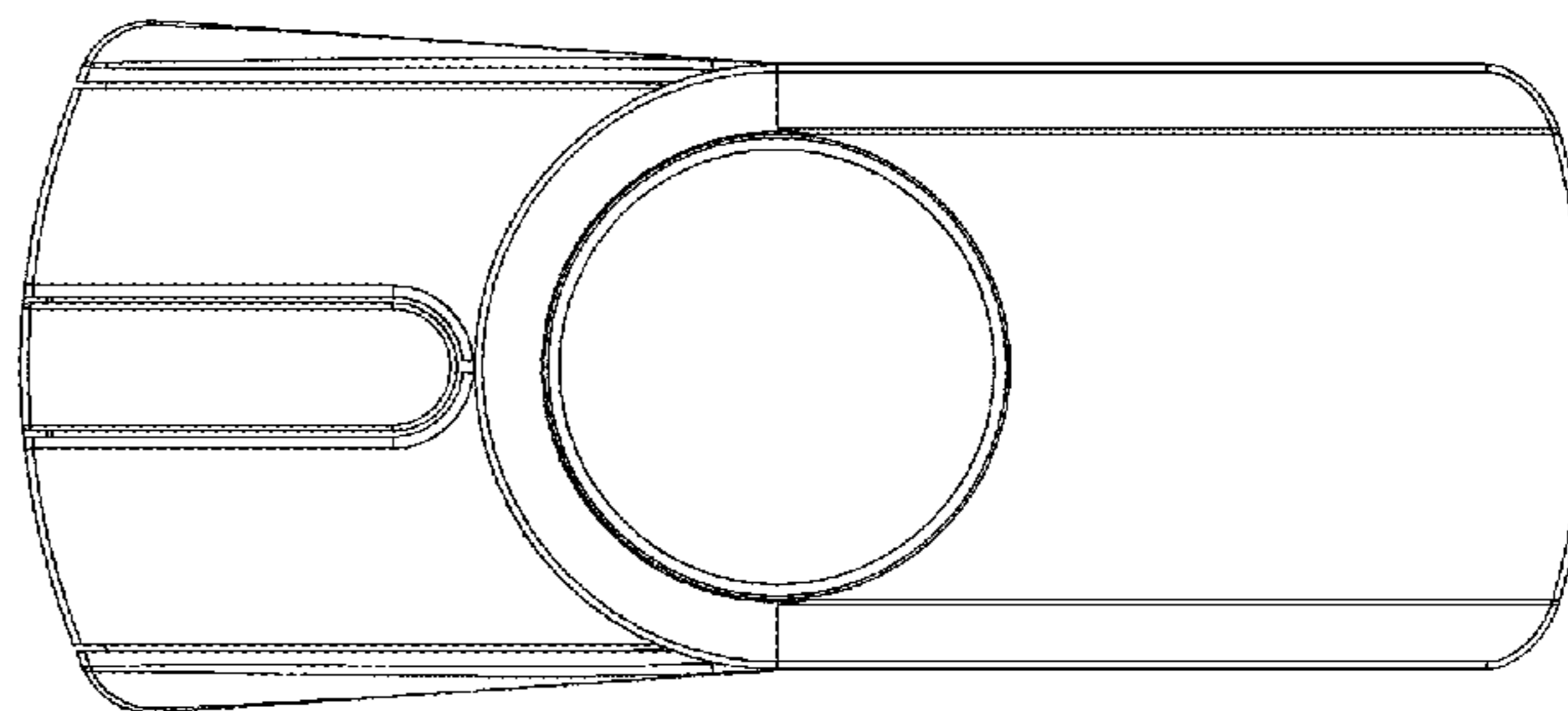
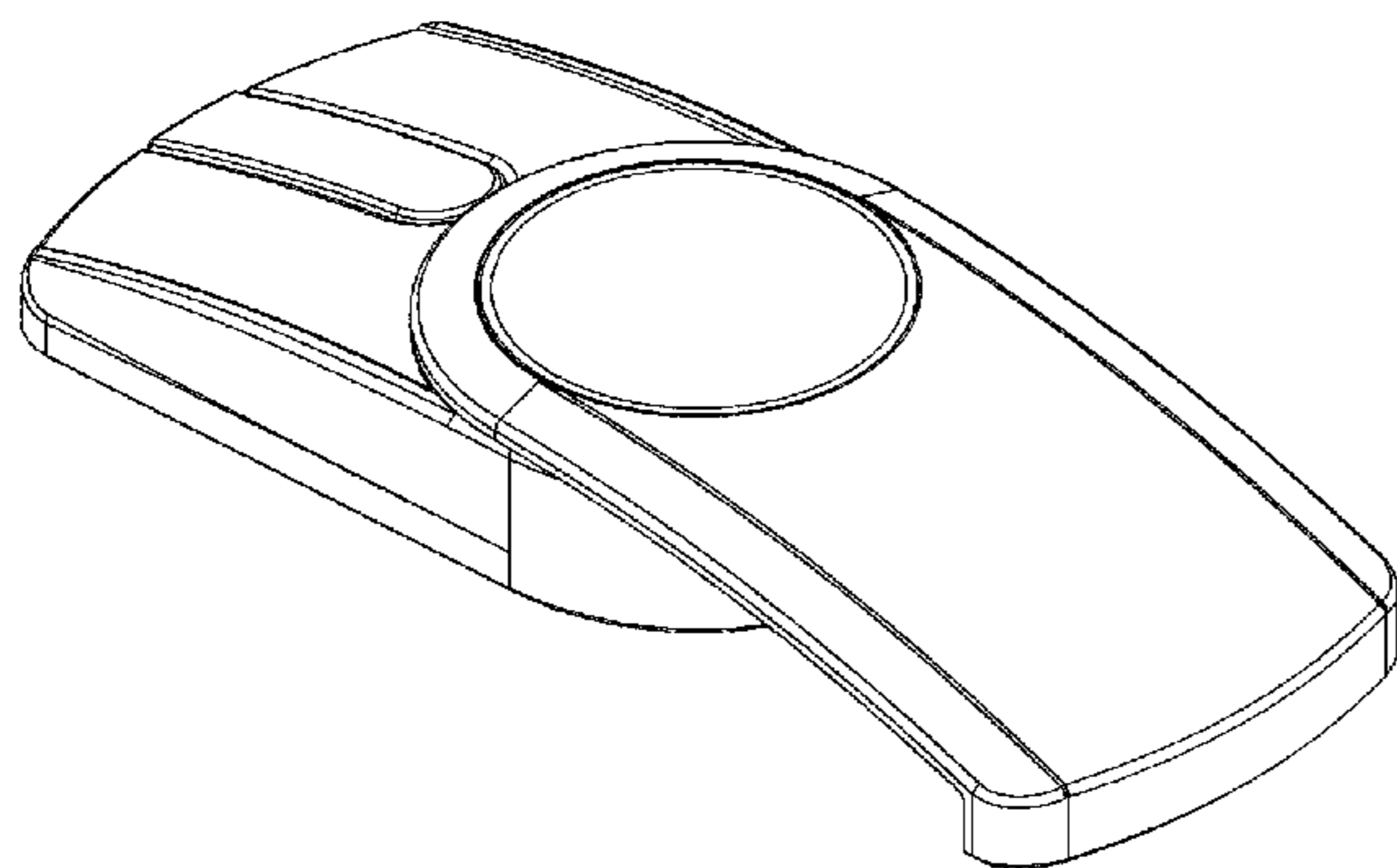
FIG. 5 is a bottom view thereof;

FIG. 6 is a left side view thereof;

FIG. 7 is a right side view thereof; and,

FIG. 8 is a perspective view thereof in a stored state.

1 Claim, 5 Drawing Sheets



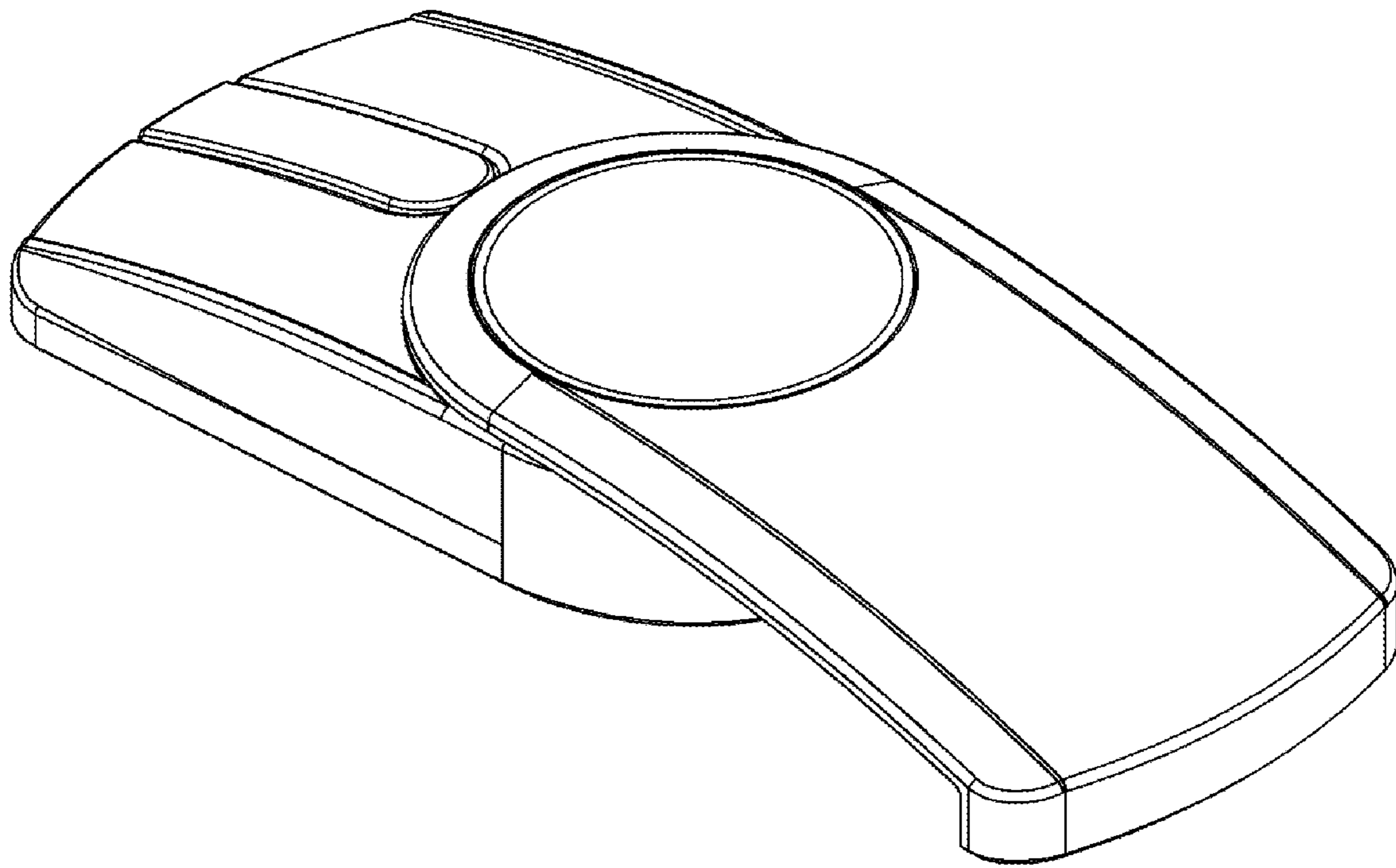


Fig. 1

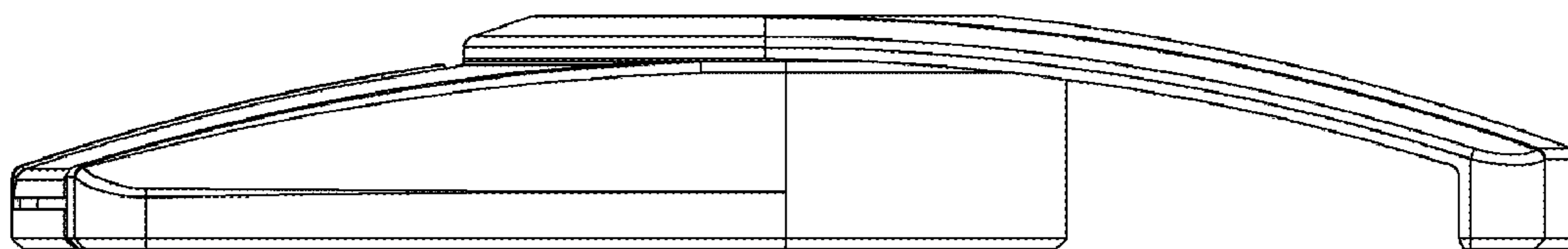


Fig. 2

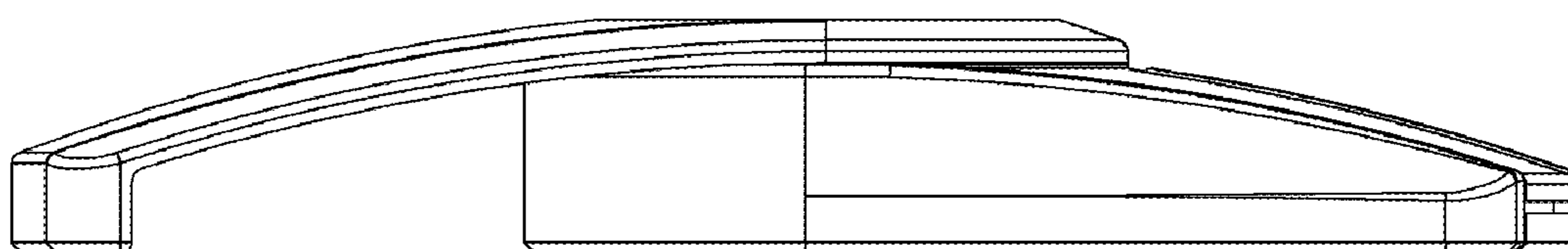


Fig. 3

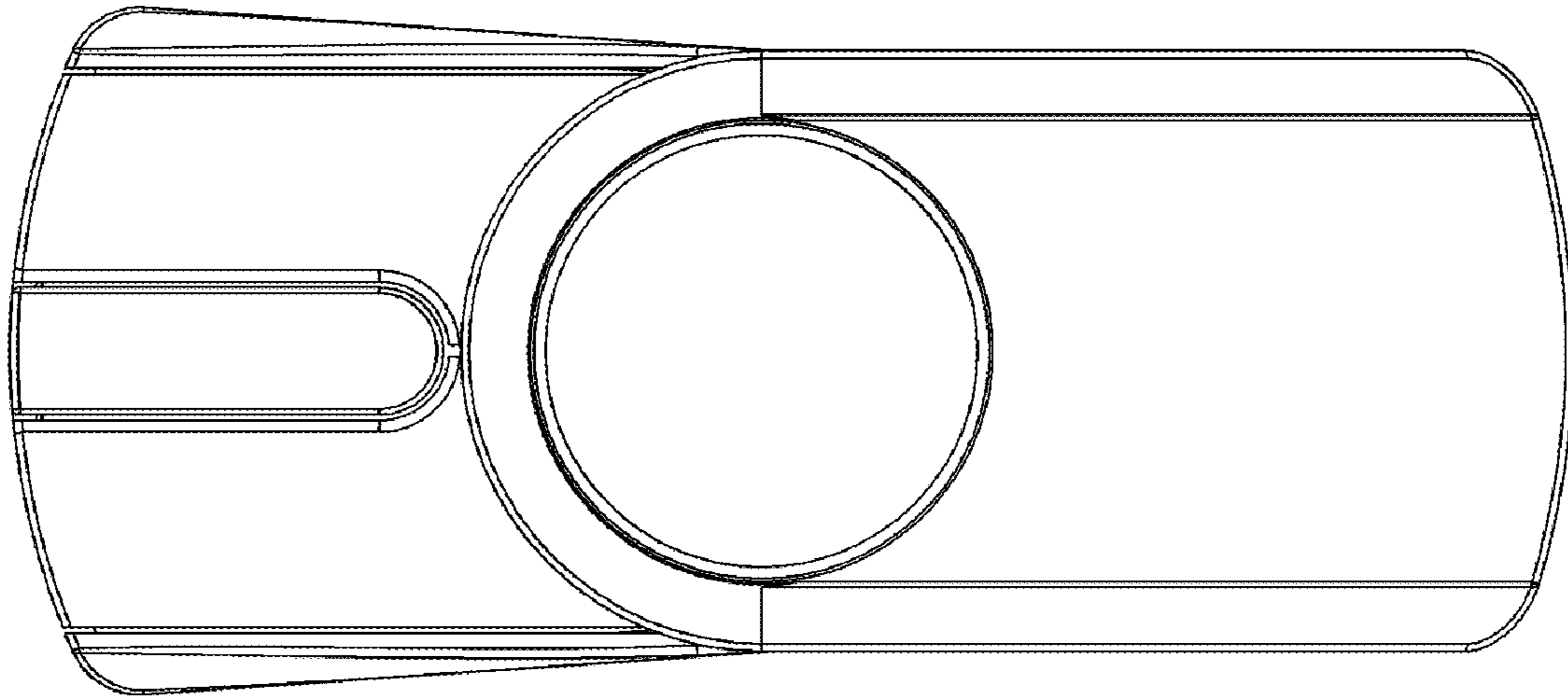


Fig. 4

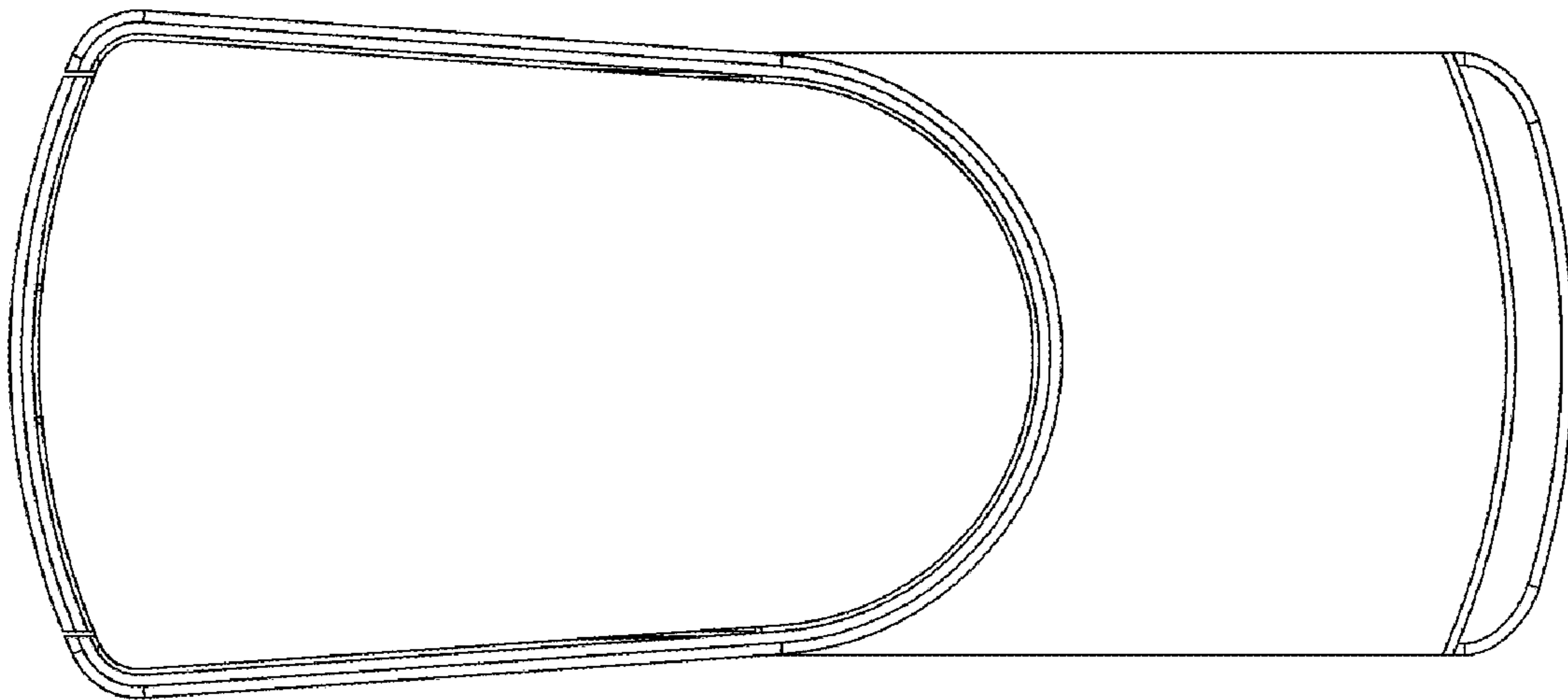


Fig. 5

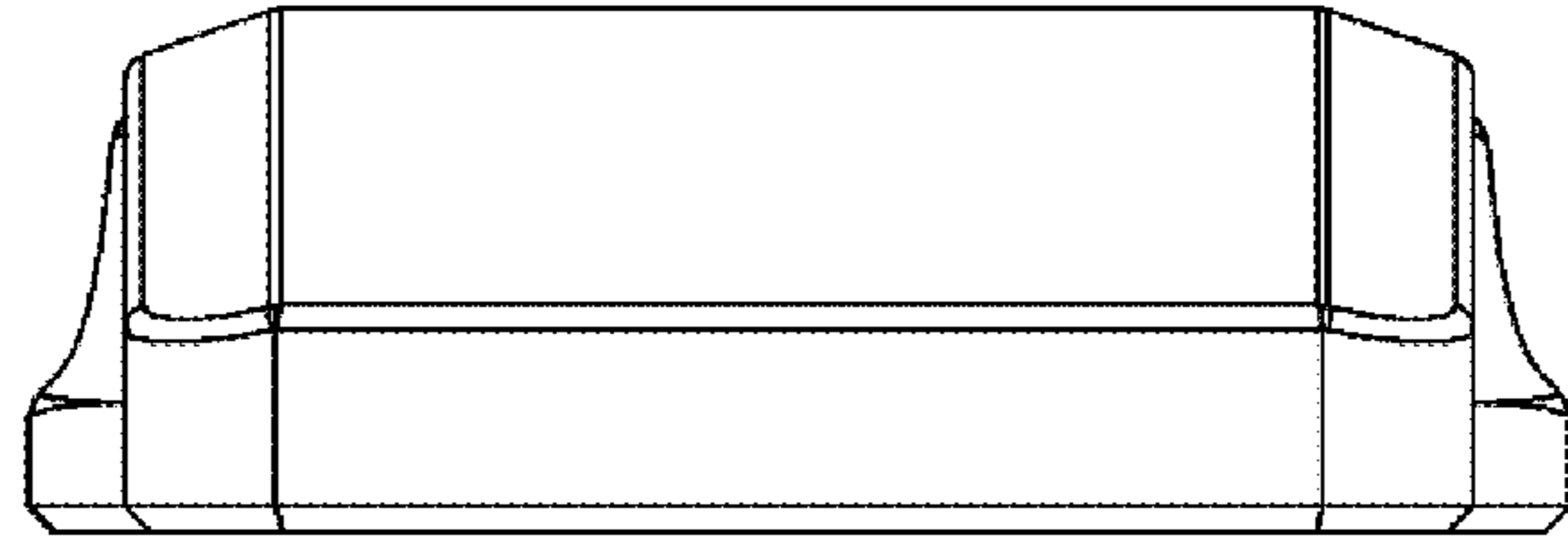


Fig. 6

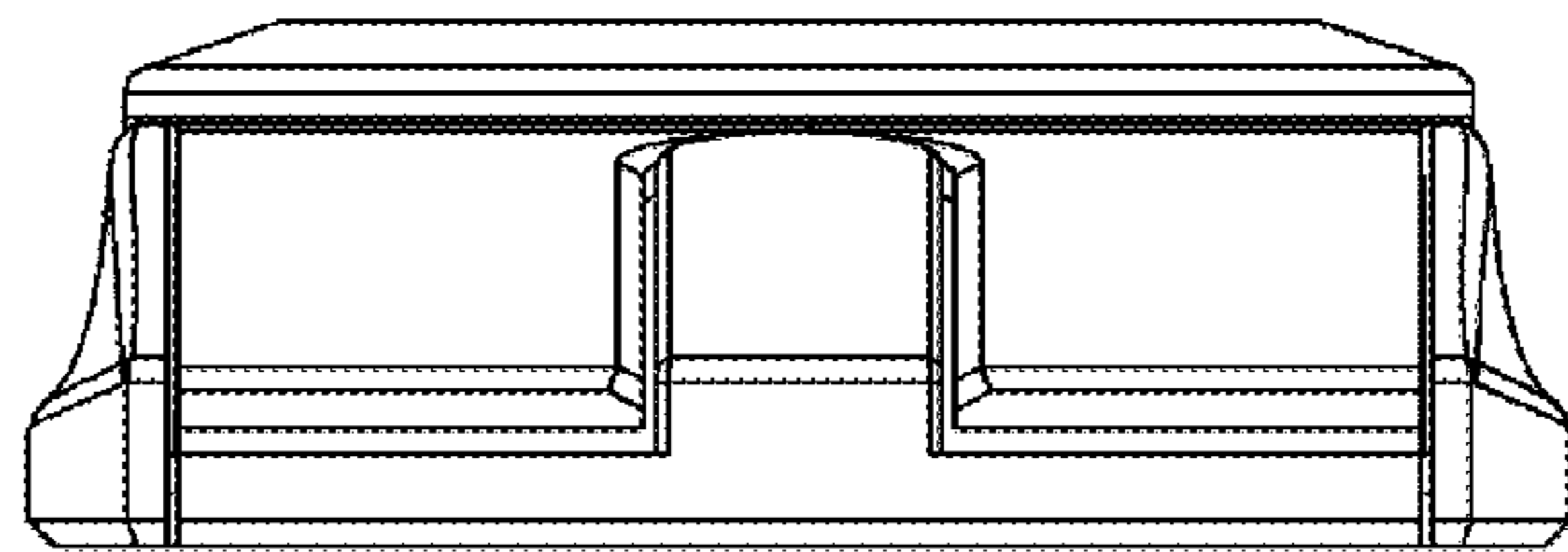


Fig. 7

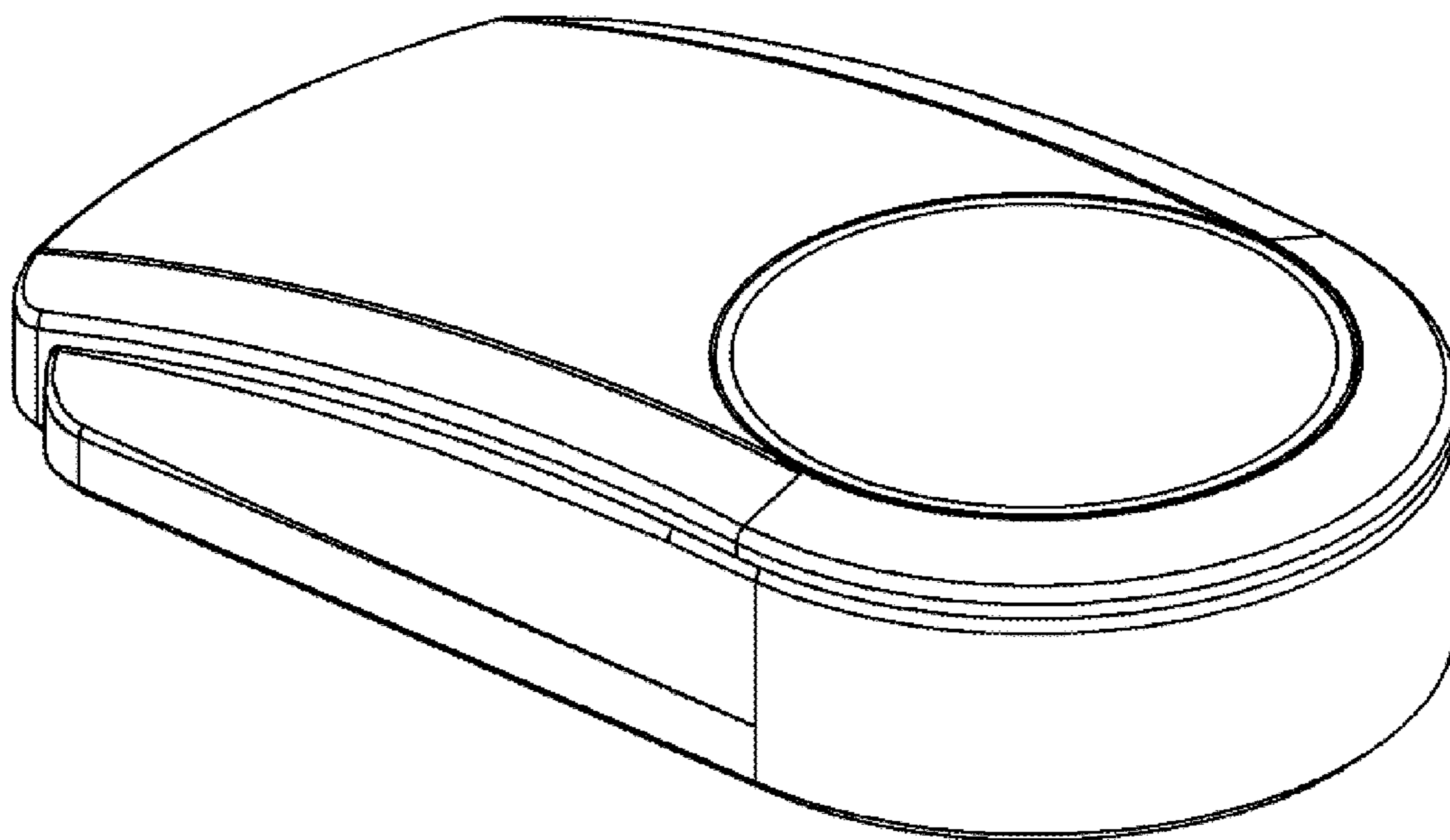


Fig. 8