



US00D646269S

(12) **United States Design Patent**
Crick, Jr. et al.

(10) **Patent No.:** **US D646,269 S**

(45) **Date of Patent:** **** Oct. 4, 2011**

- (54) **DIGITAL DISPLAY KIOSK**
- (75) Inventors: **John Edward Crick, Jr.**, Independence, MO (US); **James L. Fitch**, Lake in the Hills, IL (US); **James M. Fitch**, Crystal Lake, IL (US)
- (73) Assignee: **Cinema Scene Marketing & Promotions, LLC**, Overland Park, KS (US)

| | | | |
|--------------|--------|----------------------|---------|
| D438,258 S * | 2/2001 | Itoh et al. | D20/10 |
| D442,639 S * | 5/2001 | Pininfarina | D20/10 |
| D453,754 S * | 2/2002 | Petersen | D14/307 |
| D455,788 S * | 4/2002 | Gentelia et al. | D20/10 |
| D455,789 S * | 4/2002 | Schlueter | D20/10 |
| D461,785 S * | 8/2002 | Wilmotte | D14/126 |
| D472,223 S * | 3/2003 | Wilmotte | D14/126 |
| D491,173 S * | 6/2004 | Hendel | D14/307 |
| D513,671 S * | 1/2006 | Lucatello | D14/308 |
| D513,905 S * | 1/2006 | Lucatello | D14/308 |
| D542,052 S * | 5/2007 | Scholen et al. | D14/307 |

* cited by examiner

(**) Term: **14 Years**

(21) Appl. No.: **29/337,524**

(22) Filed: **May 22, 2009**

(51) **LOC (9) Cl.** **14-02**

(52) **U.S. Cl.** **D14/307**

(58) **Field of Classification Search** D14/302-307,
D14/371, 373, 374, 336, 341, 125-127, 129,
D14/900-902; D13/163; D20/10; D21/329,
D21/332, 325, 369, 370; D99/28; D6/329,
D6/369, 397, 466-469, 471, 472, 402; D10/65;
194/206; 361/679.01, 679.02, 679.04, 679.21,
361/679.57, 724

See application file for complete search history.

(56) **References Cited**

U.S. PATENT DOCUMENTS

| | | | |
|--------------|---------|----------------|---------|
| D355,676 S * | 2/1995 | Wilson | D20/10 |
| D407,117 S * | 3/1999 | Quatrini | D20/10 |
| D425,875 S * | 5/2000 | Wilson | D14/307 |
| D434,451 S * | 11/2000 | Grimshaw | D20/10 |

Primary Examiner — Cathron Brooks

Assistant Examiner — Deanna Fluegeman

(74) *Attorney, Agent, or Firm* — Erickson, Kernell,
Derousseau & Kleypas, LLC

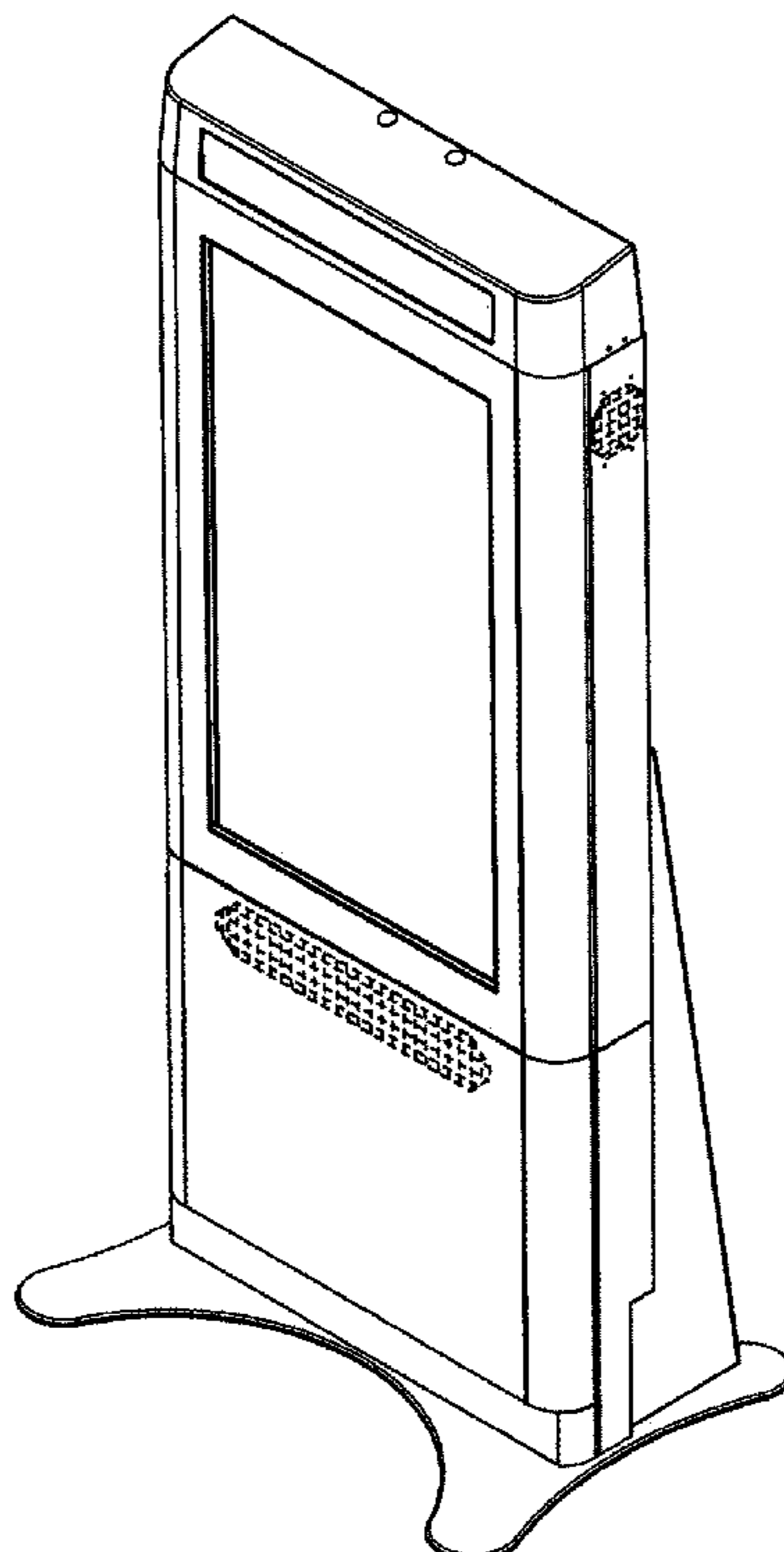
(57) **CLAIM**

The ornamental design for a digital display kiosk, as shown and described.

DESCRIPTION

FIG. 1 is a front perspective view showing our new design; FIG. 2 is a rear perspective view of FIG. 1 showing our new design; FIG. 3 is a front elevational view of FIG. 1 showing our new design; FIG. 4 is a right side view of FIG. 1 showing our new design; FIG. 5 is a left side view showing our new design; FIG. 6 is a top side view showing our new design; and, FIG. 7 is a bottom view showing our new design. The broken line representations in FIGS. 1-5 are for purposes of illustration only and form no part of the claim.

1 Claim, 3 Drawing Sheets



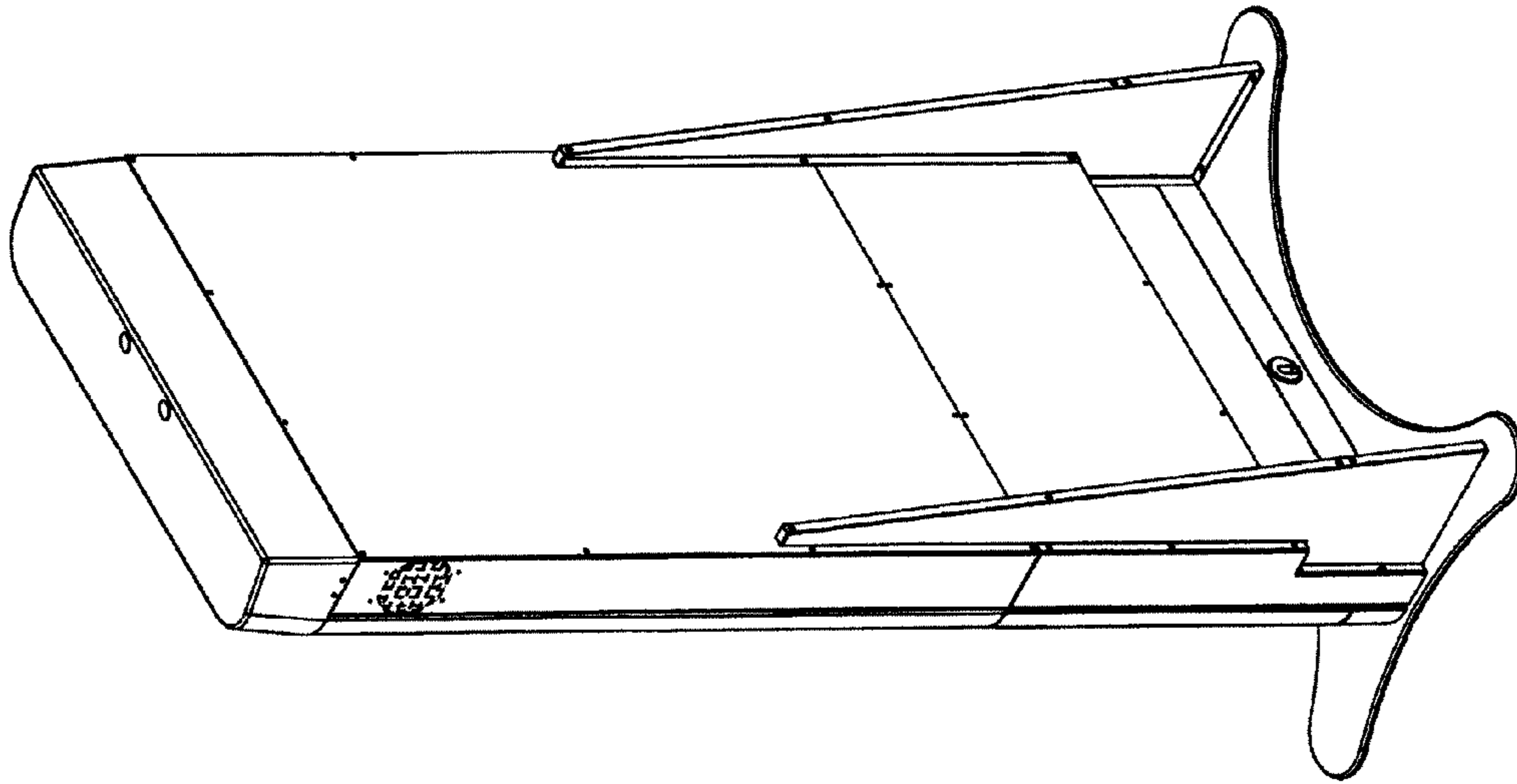


Fig. 1

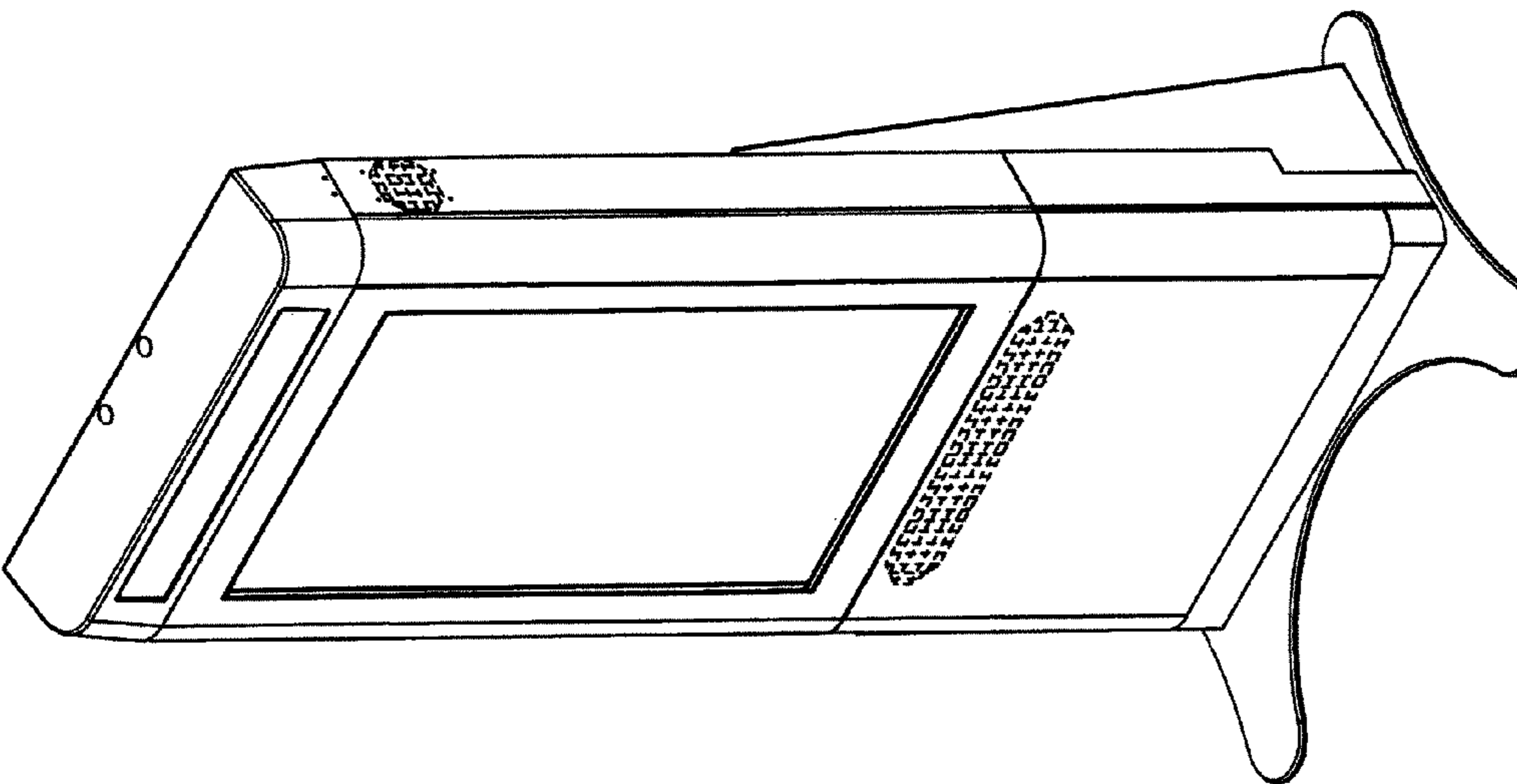


Fig. 2

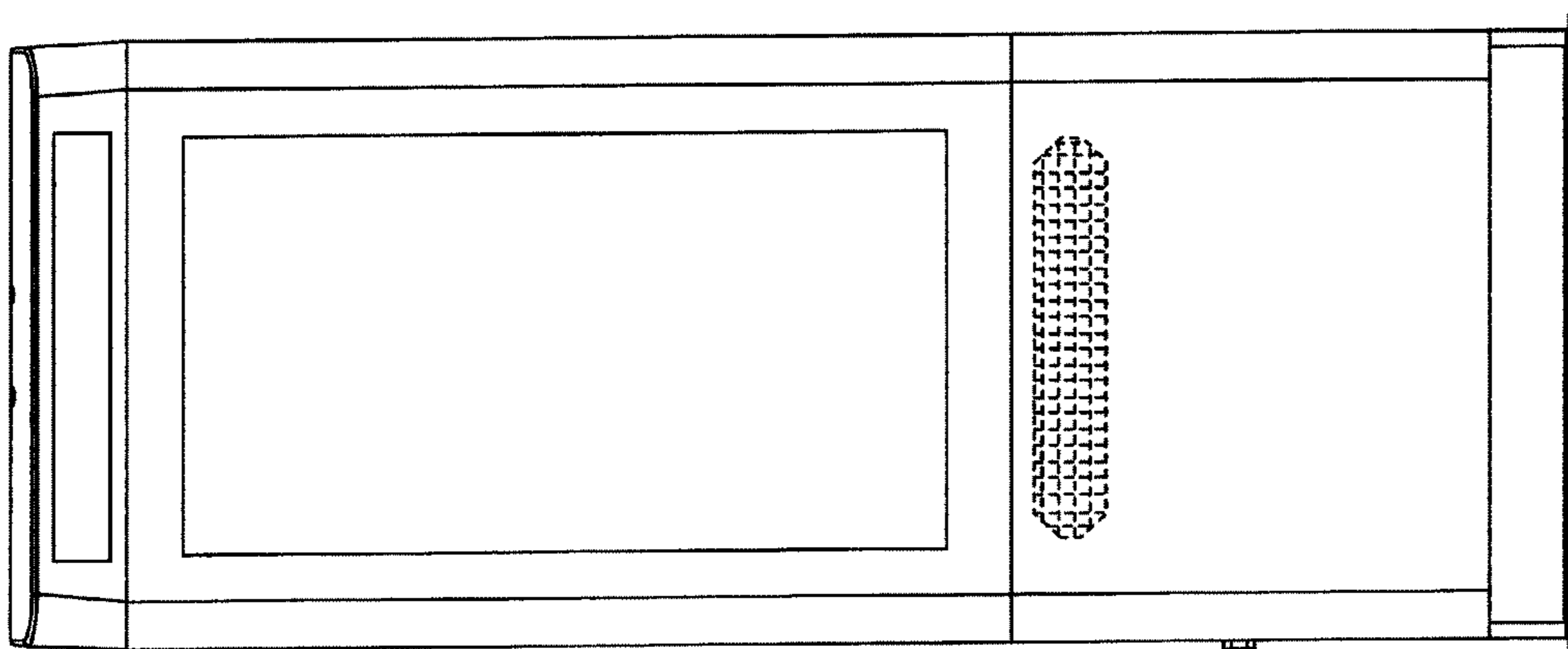


Fig. 3

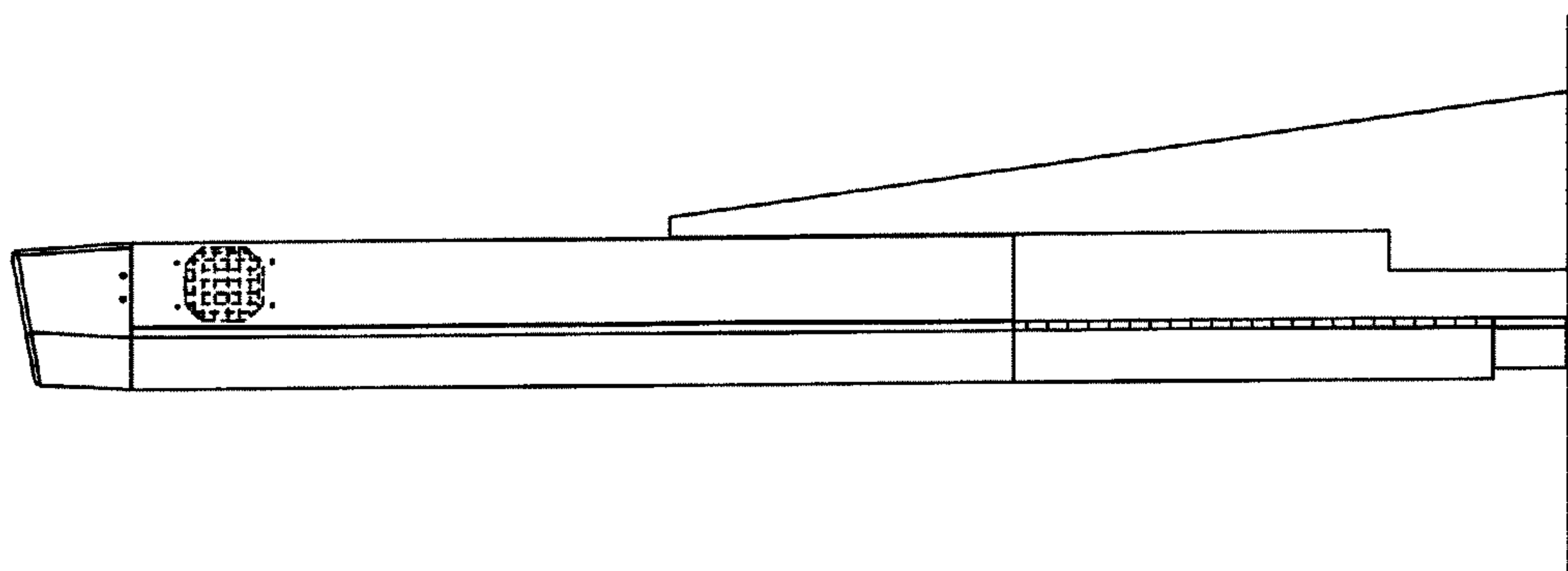


Fig. 4

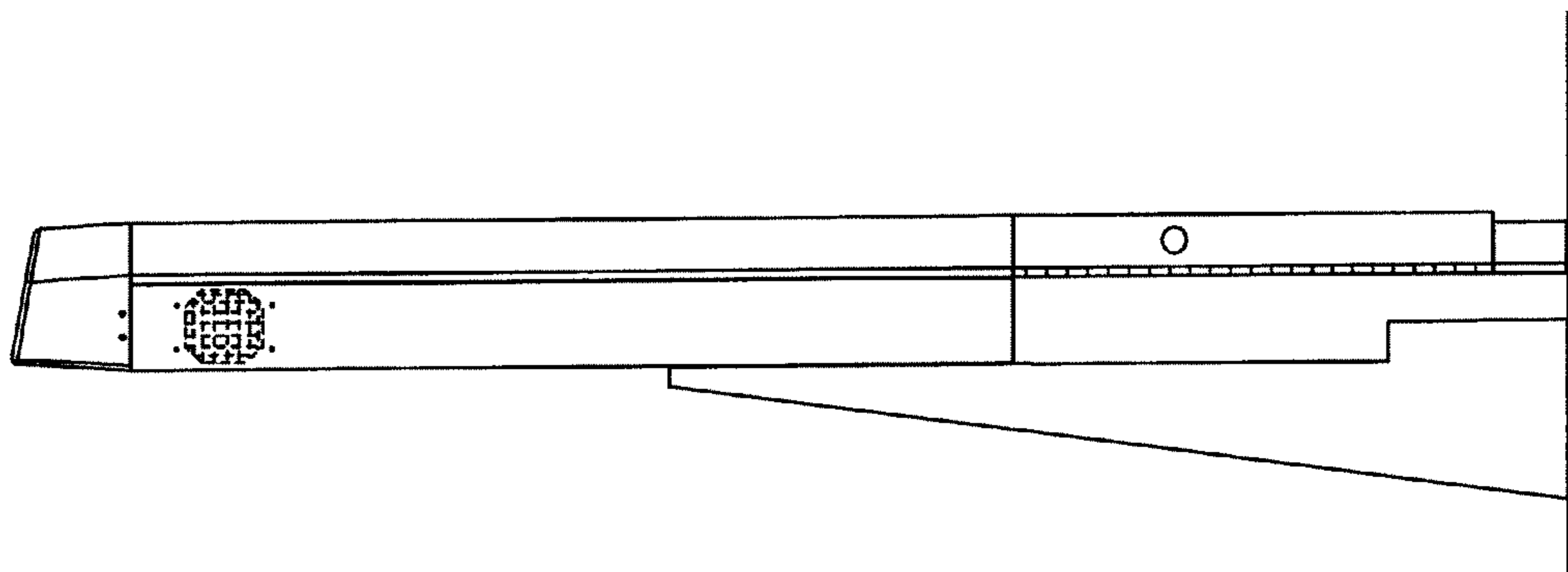


Fig. 5

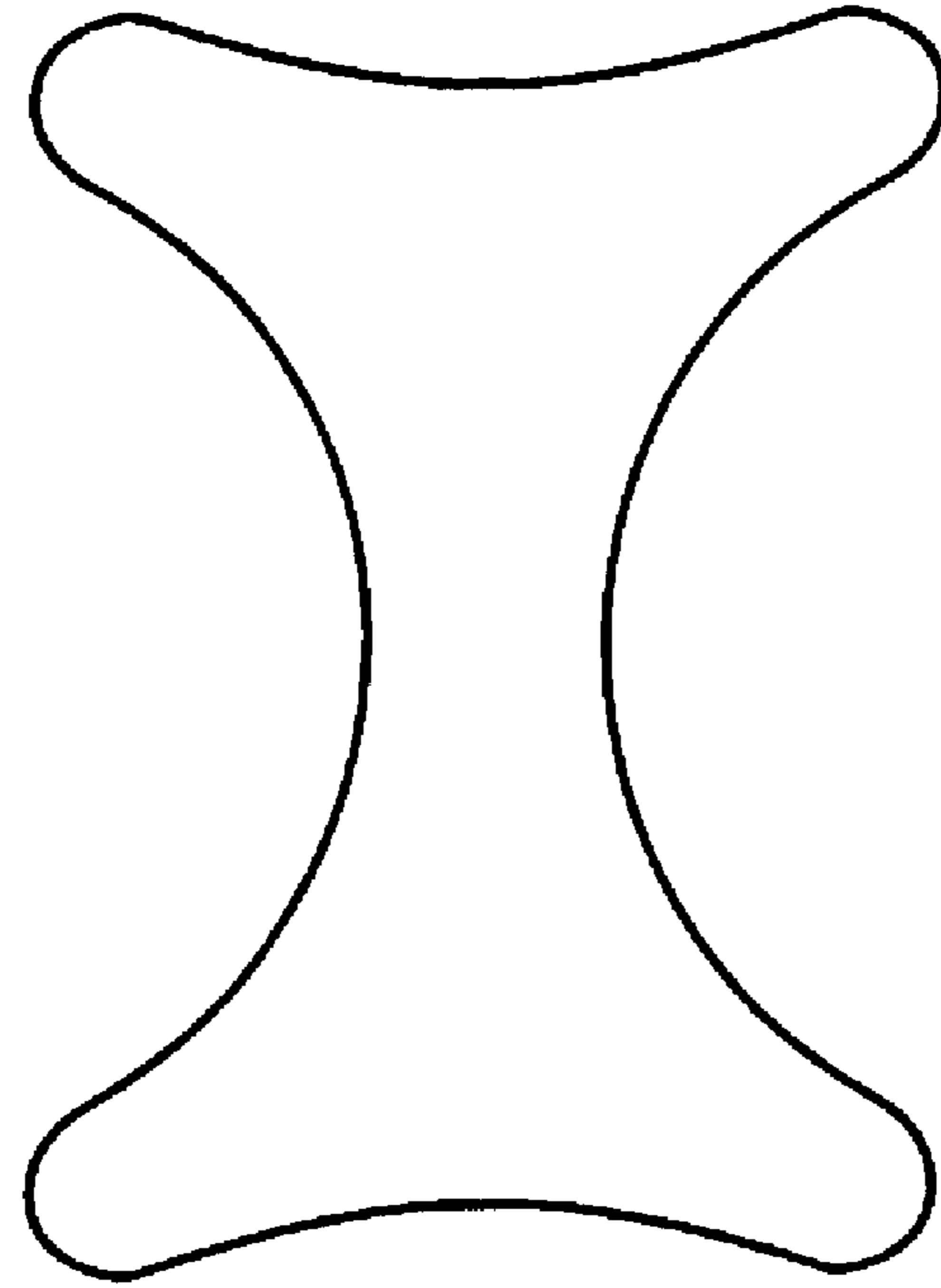


Fig. 7

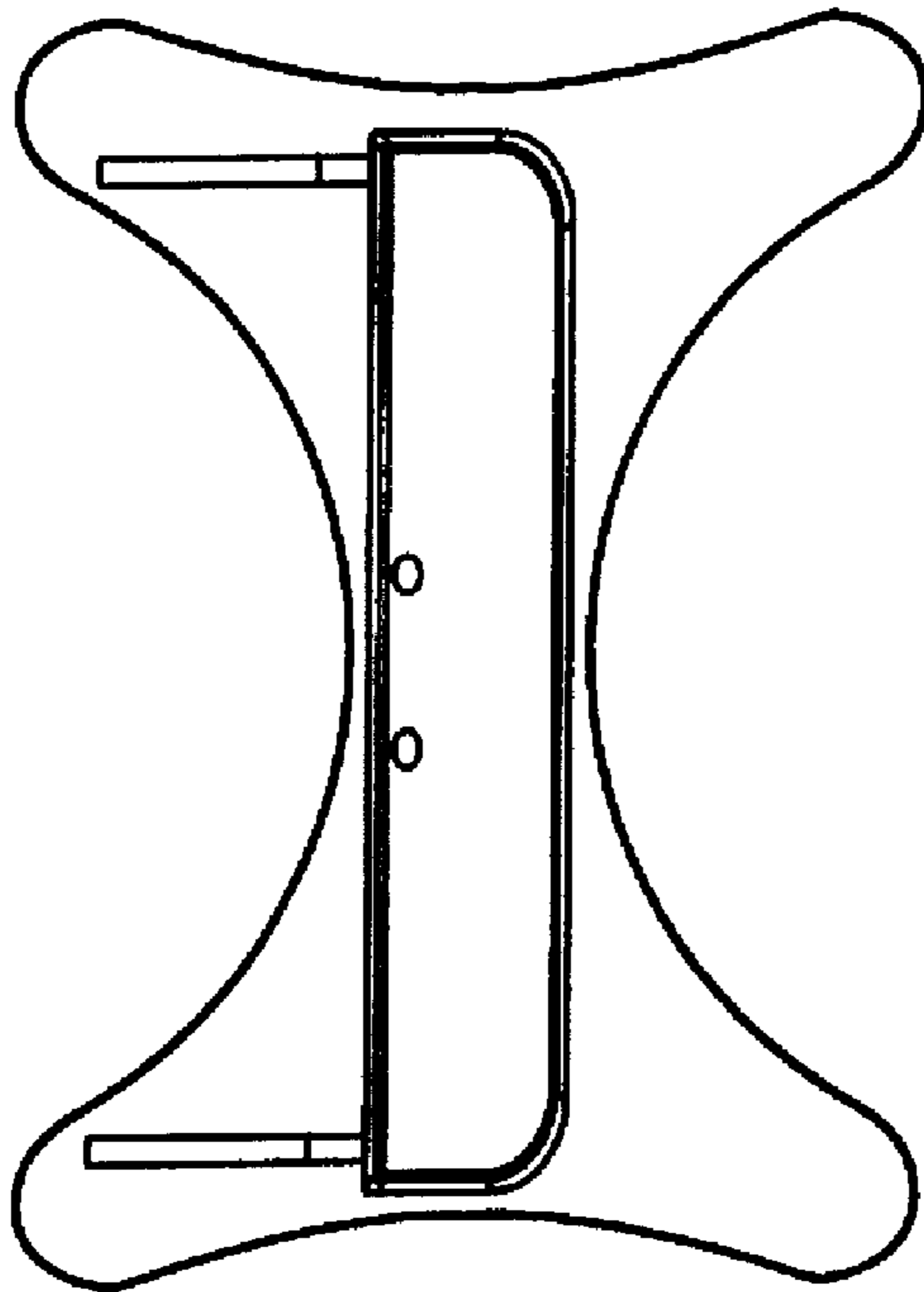


Fig. 6