



US00D646268S

(12) **United States Design Patent**
DeLorenzo et al.

(10) **Patent No.:** **US D646,268 S**
(45) **Date of Patent:** **** Oct. 4, 2011**

(54) **DOCKING STATION**

(75) Inventors: **David DeLorenzo**, Jackson, NJ (US);
Claus Christian Eckhardt, Hannover (DE); **Bernd Ogoreczyk**, Karben (DE);
Christian Von Reventlow, Gladstone, NJ (US)

(73) Assignee: **Avaya Inc.**, Basking Ridge, NJ (US)

(**) Term: **14 Years**

(21) Appl. No.: **29/368,091**

(22) Filed: **Aug. 18, 2010**

(51) **LOC (9) Cl.** **14-03**

(52) **U.S. Cl.** **D14/253**

(58) **Field of Classification Search** D14/140,
D14/140.1, 142, 144, 145, 147-151, 217,
D14/224, 229, 240, 242, 243, 252, 253, 299,
D14/447, 483, 214, 224.1, 227, 434, 218,
D14/216, 191, 496; D13/107-108, 168;
361/679.41; 439/534; 320/10, 115, 116,
320/107; D10/65

See application file for complete search history.

(56) **References Cited**

U.S. PATENT DOCUMENTS

D227,117 S *	6/1973	Breger	D14/251
D227,786 S *	7/1973	Taylor	D14/227
D251,426 S *	3/1979	Molyneux	D14/229
D364,158 S *	11/1995	Branch	D14/137
D437,840 S	2/2001	Korby et al.		
D438,189 S	2/2001	Korby et al.		
6,193,546 B1 *	2/2001	Sadler	439/534
D442,141 S *	5/2001	Ikenaga	D13/107
D453,155 S *	1/2002	Michel	D14/253
6,483,698 B1 *	11/2002	Loh	361/679.41
D472,236 S	3/2003	Schramm et al.		
D472,536 S	4/2003	Schramm et al.		
D472,537 S	4/2003	Schramm et al.		
D493,782 S *	8/2004	Axt	D14/253
D507,526 S *	7/2005	Ohta	D13/108

D508,916 S *	8/2005	Lee	D14/447
D514,091 S *	1/2006	Sube	D14/214
D523,847 S *	6/2006	Naruki	D14/224.1
D531,979 S	11/2006	Pettit et al.		
D535,615 S *	1/2007	Iwai	D13/108
D554,115 S *	10/2007	Liu et al.	D14/253
D554,116 S *	10/2007	Liu et al.	D14/253
D557,259 S *	12/2007	Hirsch	D14/217
D558,180 S	12/2007	Daly et al.		
D558,192 S	12/2007	Daly et al.		
D558,727 S	1/2008	Daly et al.		
D558,729 S	1/2008	Daly et al.		
D565,020 S	3/2008	Daly et al.		
D593,988 S *	6/2009	Liu et al.	D14/149
D606,545 S *	12/2009	Salmon	D14/434
D607,879 S *	1/2010	Ferber et al.	D14/217
D608,351 S *	1/2010	Song	D14/217
D610,084 S *	2/2010	Christopher	D13/107
D619,972 S *	7/2010	Felegy et al.	D13/168
D628,562 S *	12/2010	Akana et al.	D14/217

* cited by examiner

Primary Examiner — Rob Spear

Assistant Examiner — Carla Wright

(74) *Attorney, Agent, or Firm* — Sheridan Ross P.C.

(57) **CLAIM**

The ornamental design for a docking station, as shown and described.

DESCRIPTION

FIG. 1 is a perspective view of a docking station showing our new design;
FIG. 2 is a top plan view thereof;
FIG. 3 is a front elevation view thereof;
FIG. 4 is a bottom plan view thereof;
FIG. 5 is a left elevation view thereof;
FIG. 6 is a right elevation view of the invention illustrated in FIG. 1; and,
FIG. 7 is a rear elevation view thereof.
In the drawings, the broken lines depict environmental structure that forms no part of the claimed design.

1 Claim, 3 Drawing Sheets

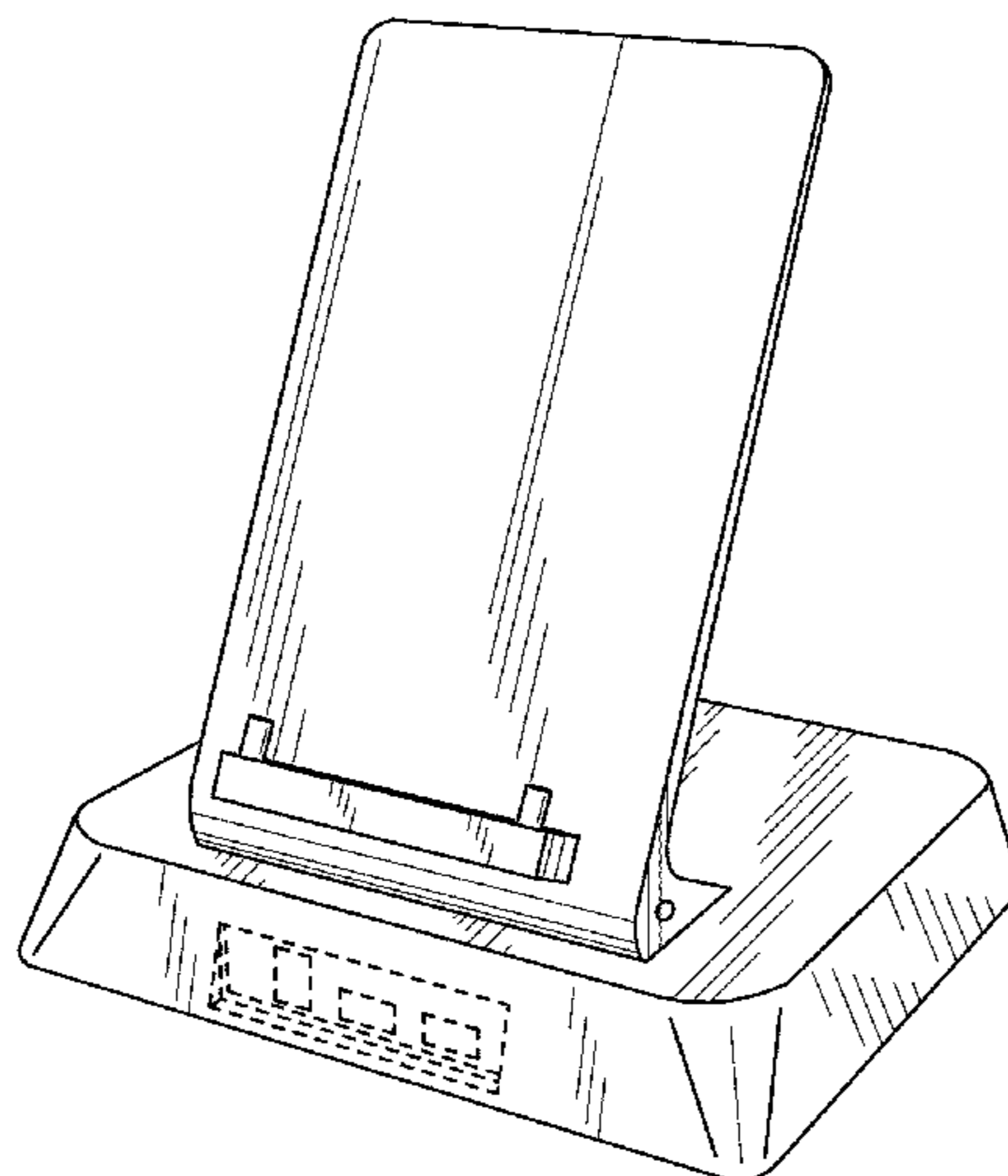


Fig. 1

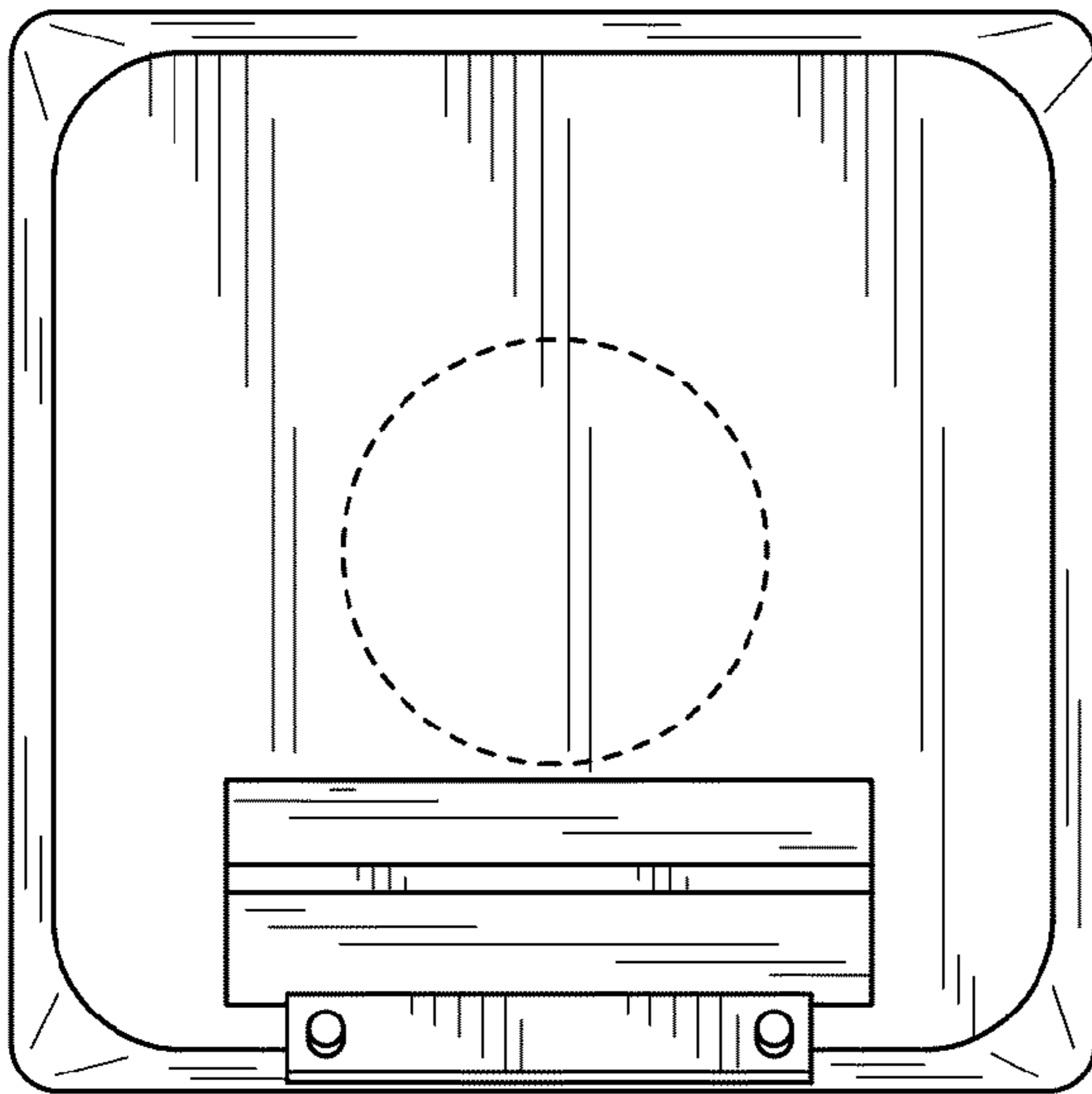
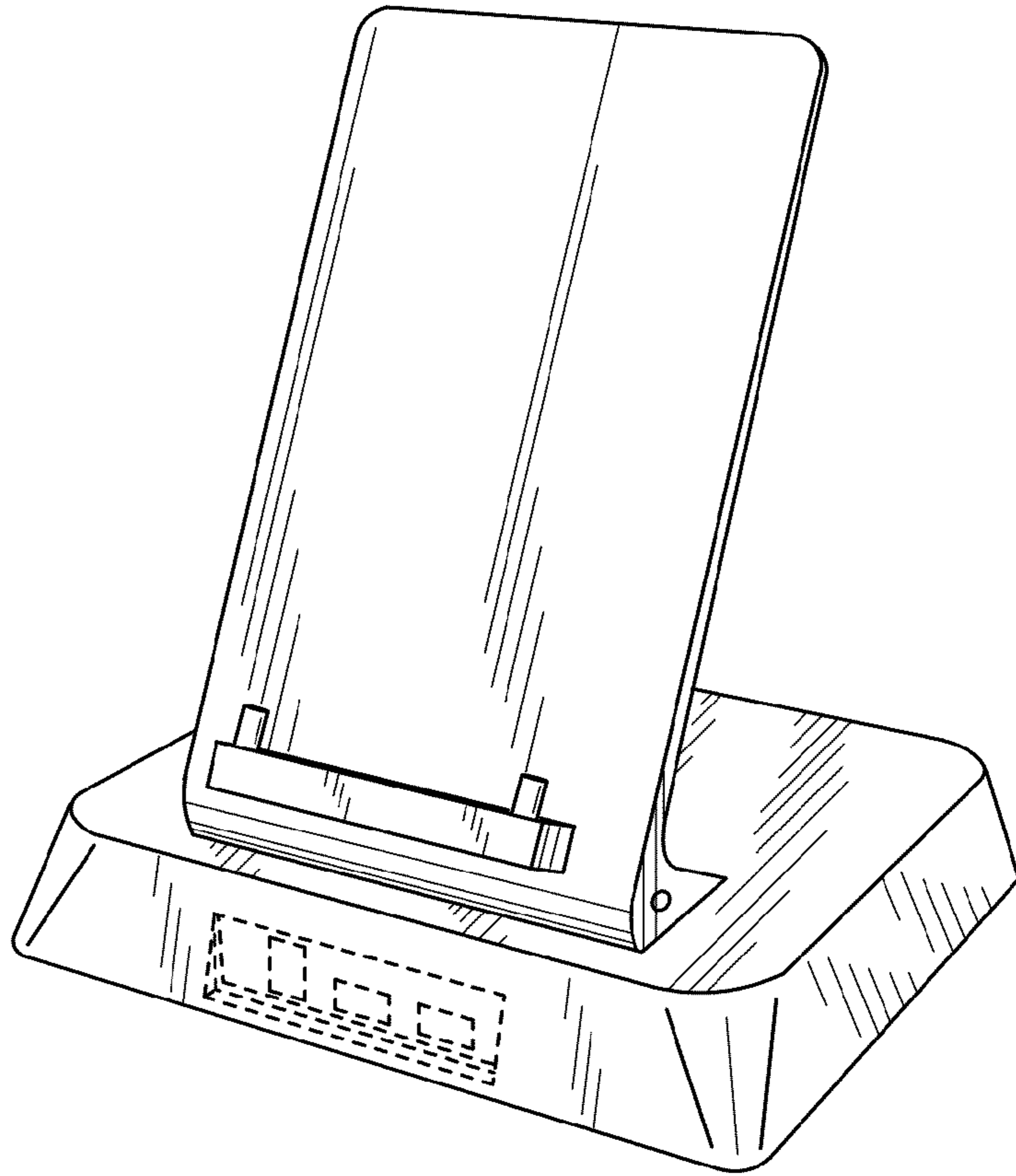


Fig. 2

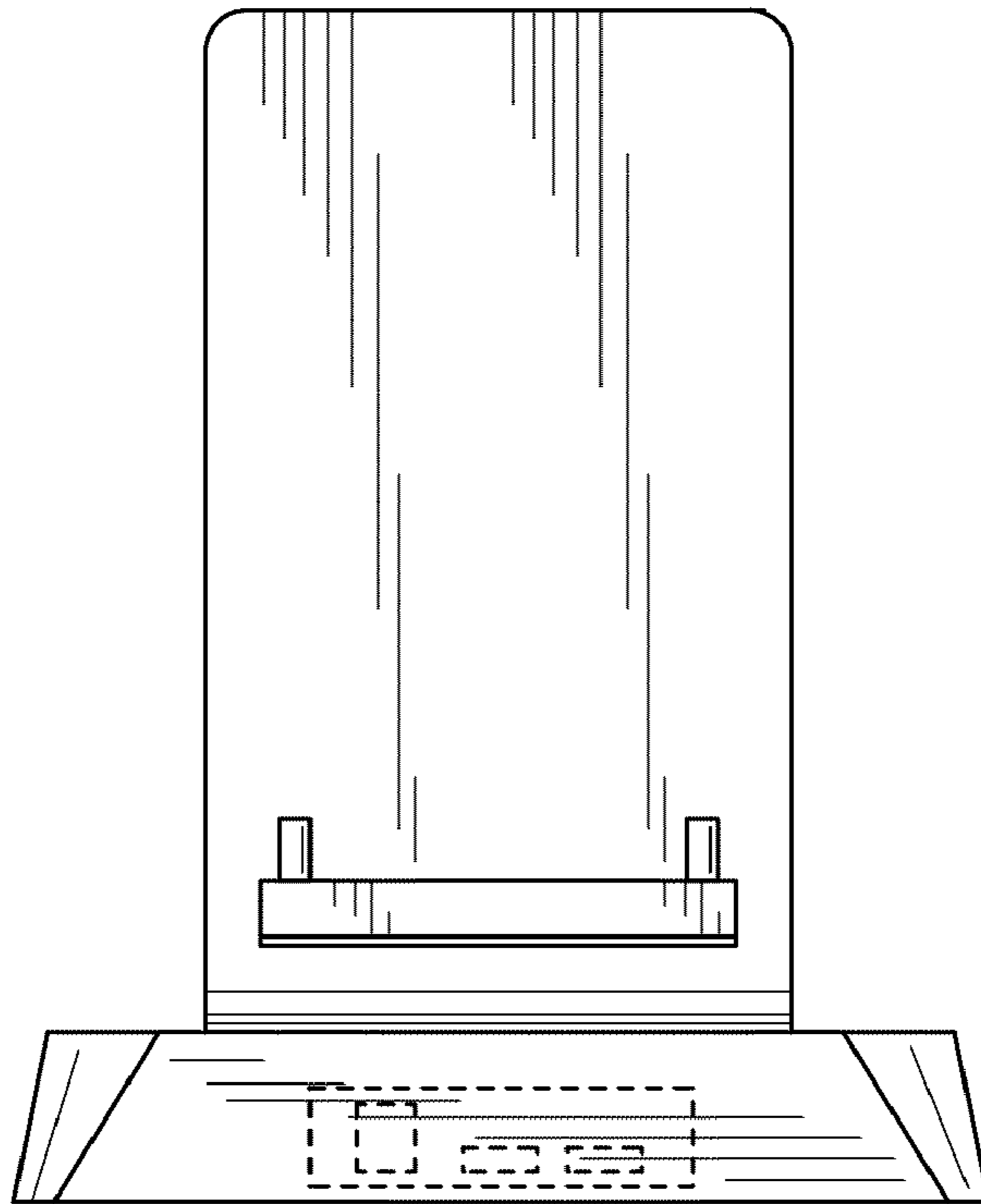


Fig. 3

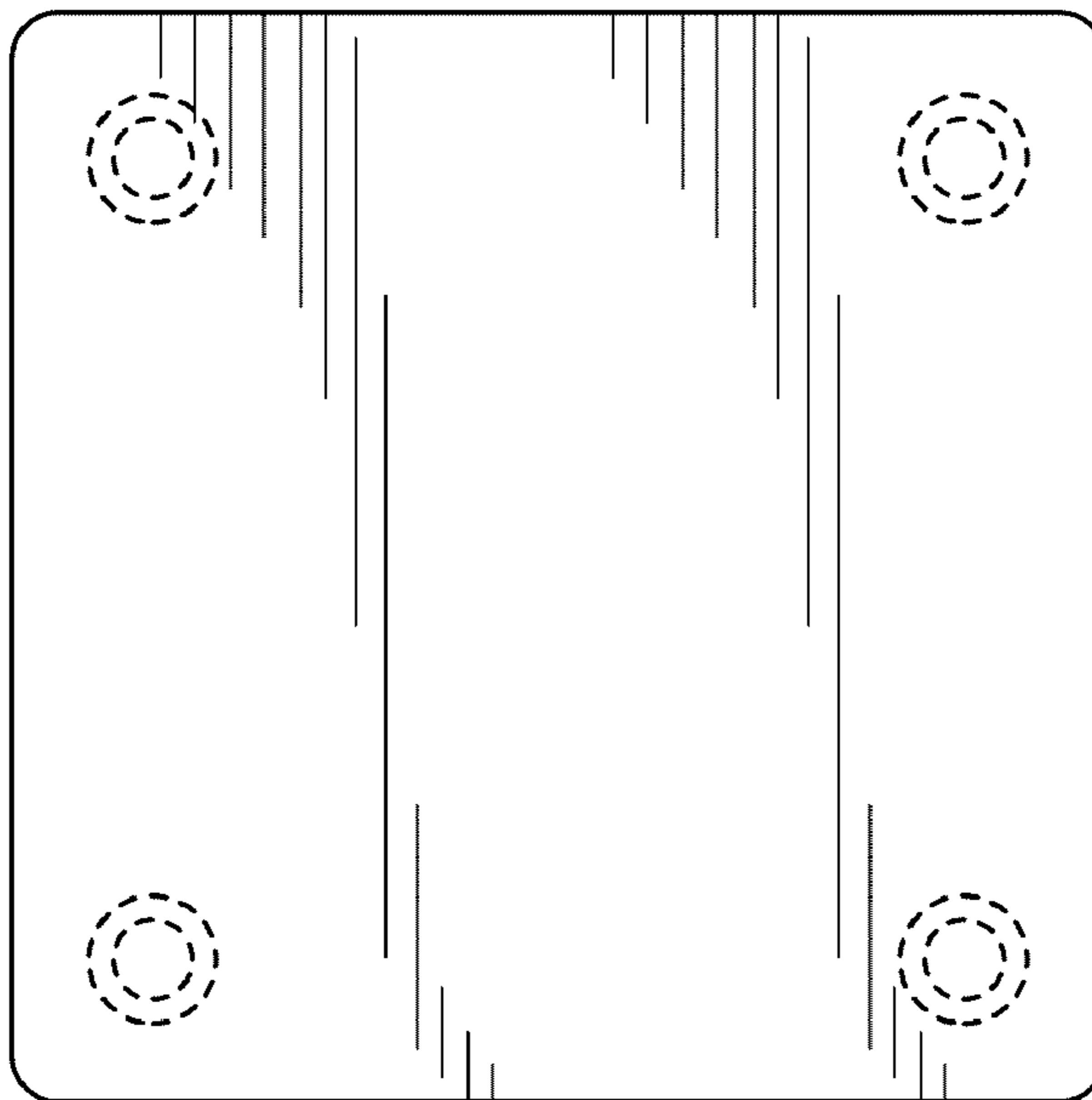


Fig. 4

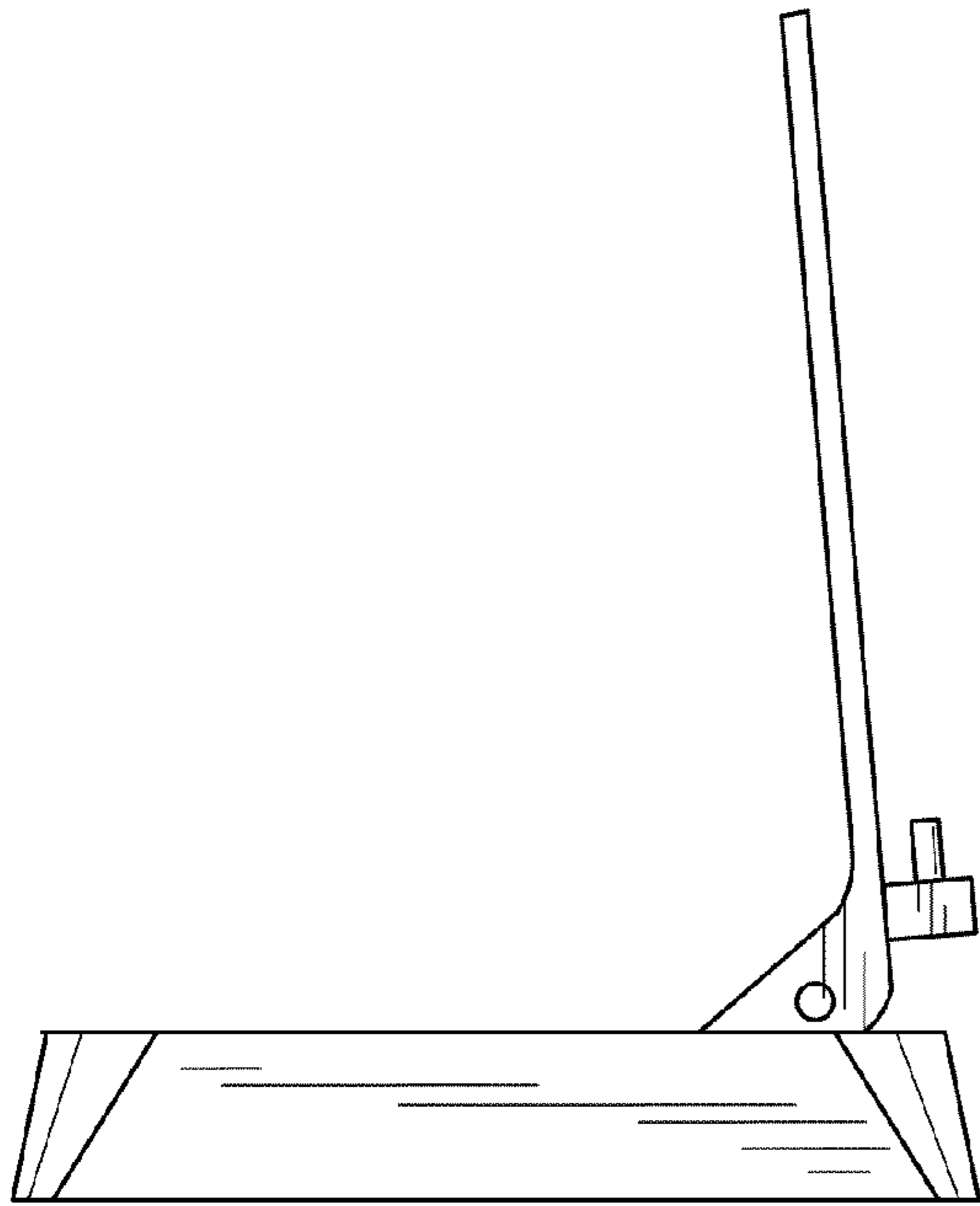


Fig. 5

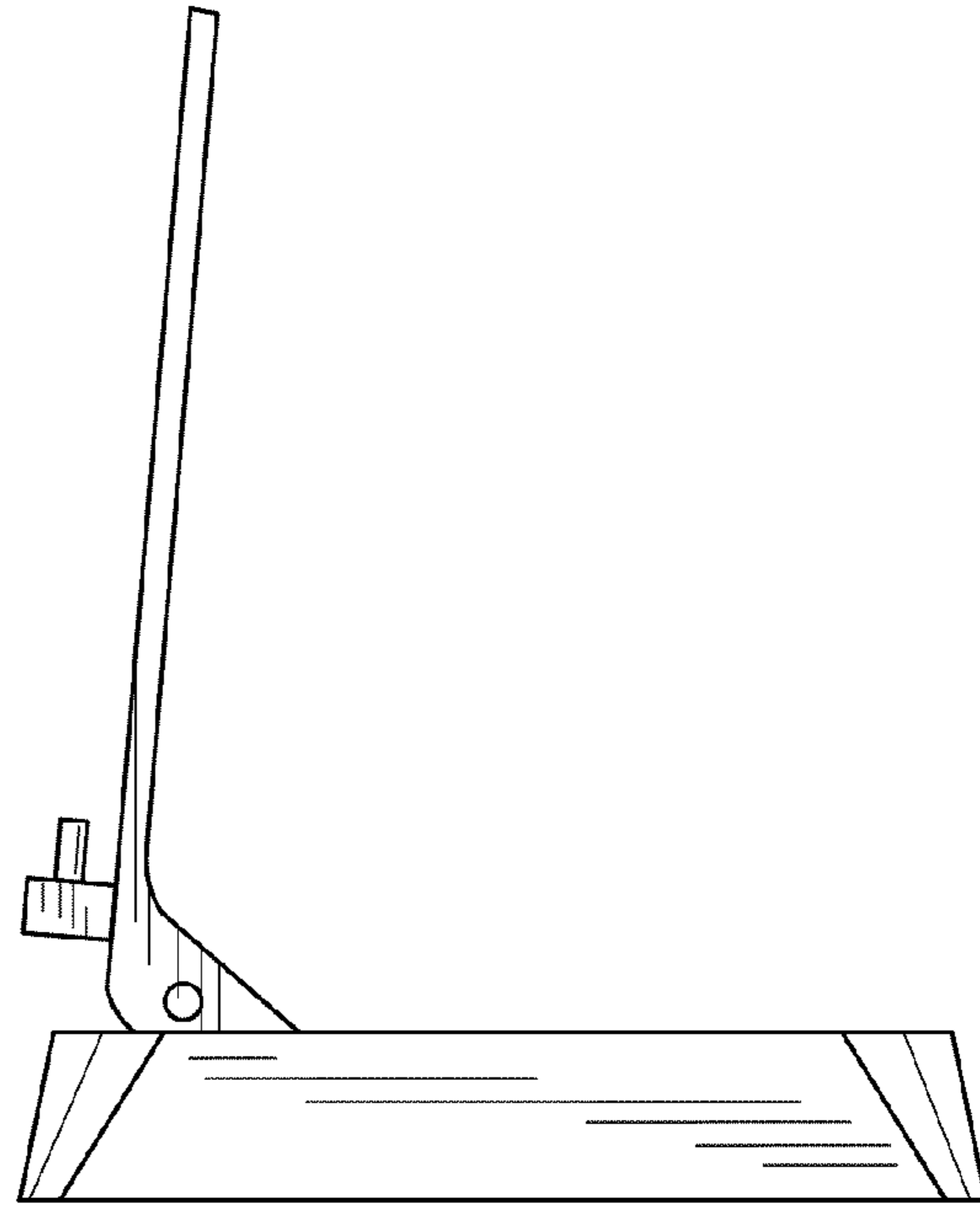


Fig. 6

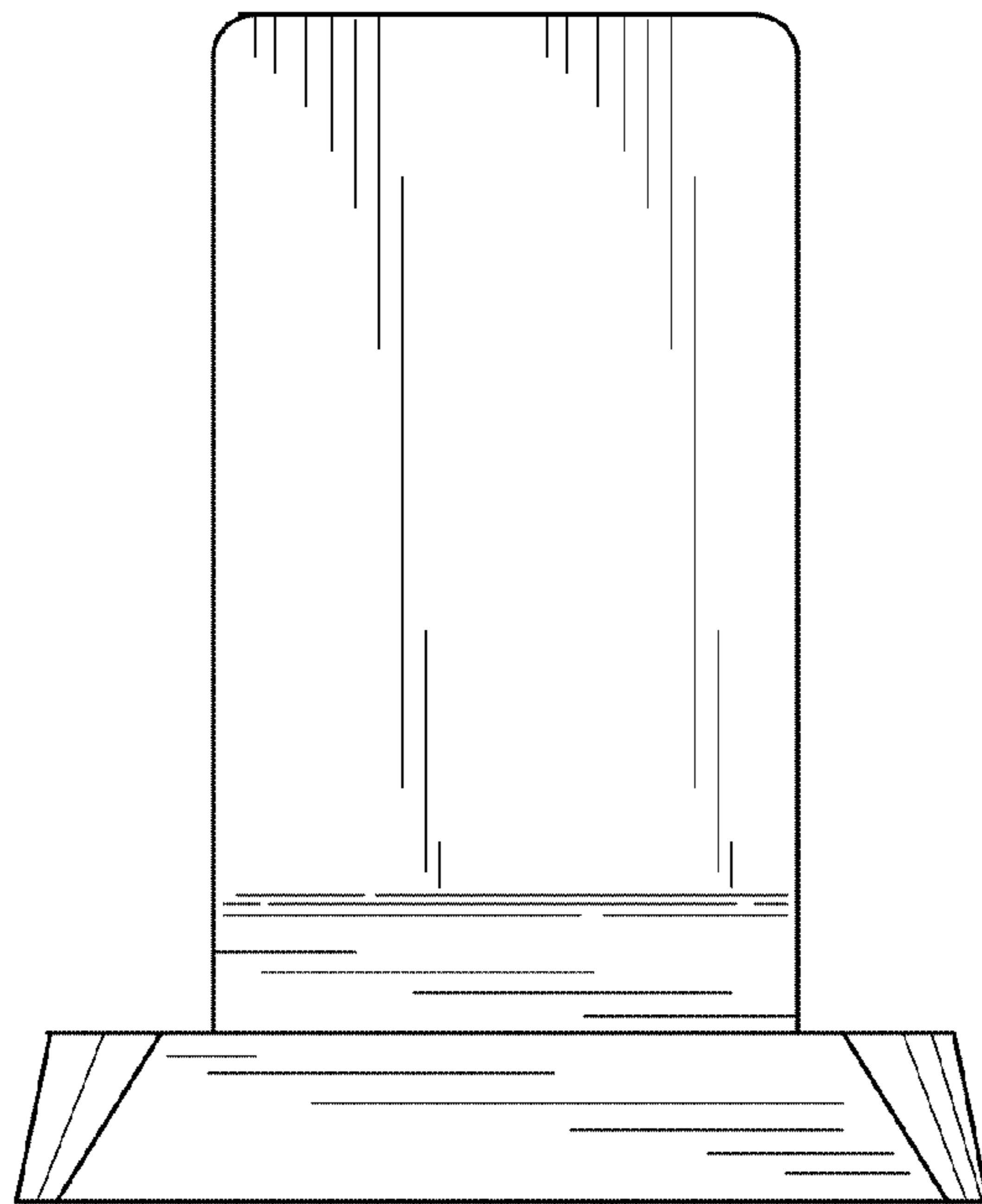


Fig. 7