



US00D646259S

(12) **United States Design Patent**
Daniel

(10) **Patent No.:** **US D646,259 S**

(45) **Date of Patent:** **** Oct. 4, 2011**

(54) **PORTABLE DEVICE FOR REMOTELY TRANSMITTING AN ALERT**

(75) Inventor: **Isaac S. Daniel**, Miramar, FL (US)

(73) Assignee: **F3M3 Companies, Inc.**, Miramar, FL (US)

(**) Term: **14 Years**

(21) Appl. No.: **29/393,334**

(22) Filed: **Jun. 2, 2011**

(51) **LOC (9) Cl.** **14-03**

(52) **U.S. Cl.** **D14/155**

(58) **Field of Classification Search** D14/167, D14/154, 168, 188, 496, 156, 160, 161, 162, D14/163, 164, 165, 158, 341, 346, 342, 345, D14/155, 218, 225; D16/208; D26/38; 455/351, 455/350, 575.1, 556.1; D10/104, 106, 65, D10/57

See application file for complete search history.

(56) **References Cited**

U.S. PATENT DOCUMENTS

D331,888 S *	12/1992	Lade	D10/106.1
D357,201 S *	4/1995	Novack	D10/104.1
D375,097 S *	10/1996	Kovens	D14/159
D388,721 S *	1/1998	Kinner	D10/104.1
D413,827 S *	9/1999	Fenner	D10/104.1
D417,667 S *	12/1999	Loubert et al.	D14/155
D440,899 S *	4/2001	Heath	D14/159
D473,204 S *	4/2003	Tanio	D14/167
D487,470 S *	3/2004	Cobigo	D14/496
D489,696 S *	5/2004	Cho	D14/138 AB
D510,584 S *	10/2005	Tierney	D14/203.6
D510,734 S *	10/2005	Christianson	D14/155
D518,399 S *	4/2006	Breslow	D10/109.1

D527,666 S *	9/2006	Tal et al.	D10/106.6
D549,210 S *	8/2007	Neu et al.	D14/155
D561,703 S *	2/2008	Shimokawa et al.	D13/168
D571,346 S *	6/2008	Knoll et al.	D14/155
D572,230 S *	7/2008	Neu et al.	D14/155
D594,440 S *	6/2009	Hynecek et al.	D14/155
D599,323 S *	9/2009	Petersen	D14/191
D615,438 S *	5/2010	Goetzl et al.	D10/104.1
D619,558 S *	7/2010	Seil et al.	D14/155
D631,483 S *	1/2011	Nelson	D14/484.1
D633,507 S *	3/2011	Nelson	D14/484.1
2004/0224717 A1 *	11/2004	Hertzberg et al.	455/550.1

* cited by examiner

Primary Examiner — Austin Murphy

(74) *Attorney, Agent, or Firm* — Carol N. Green, Esq.

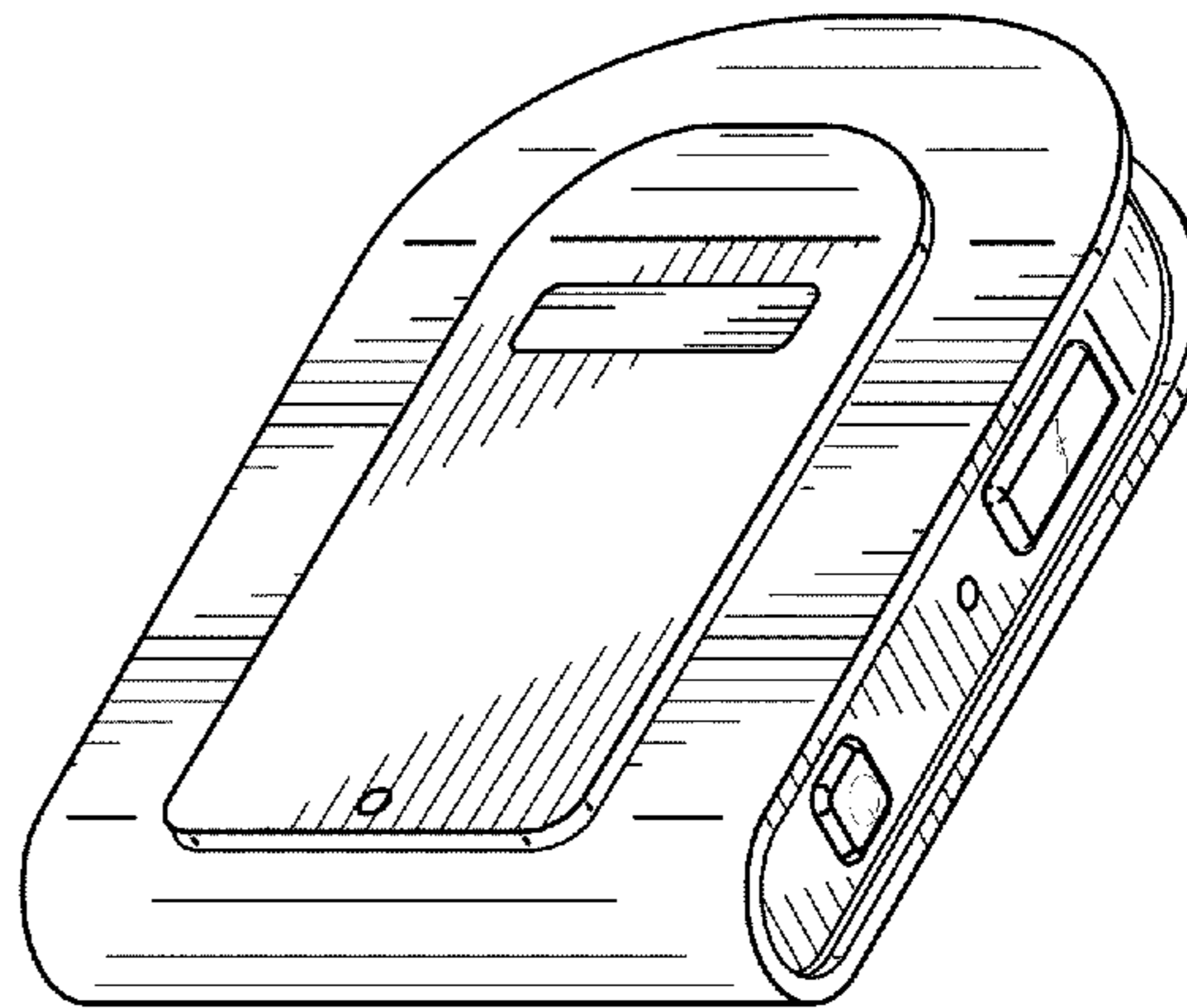
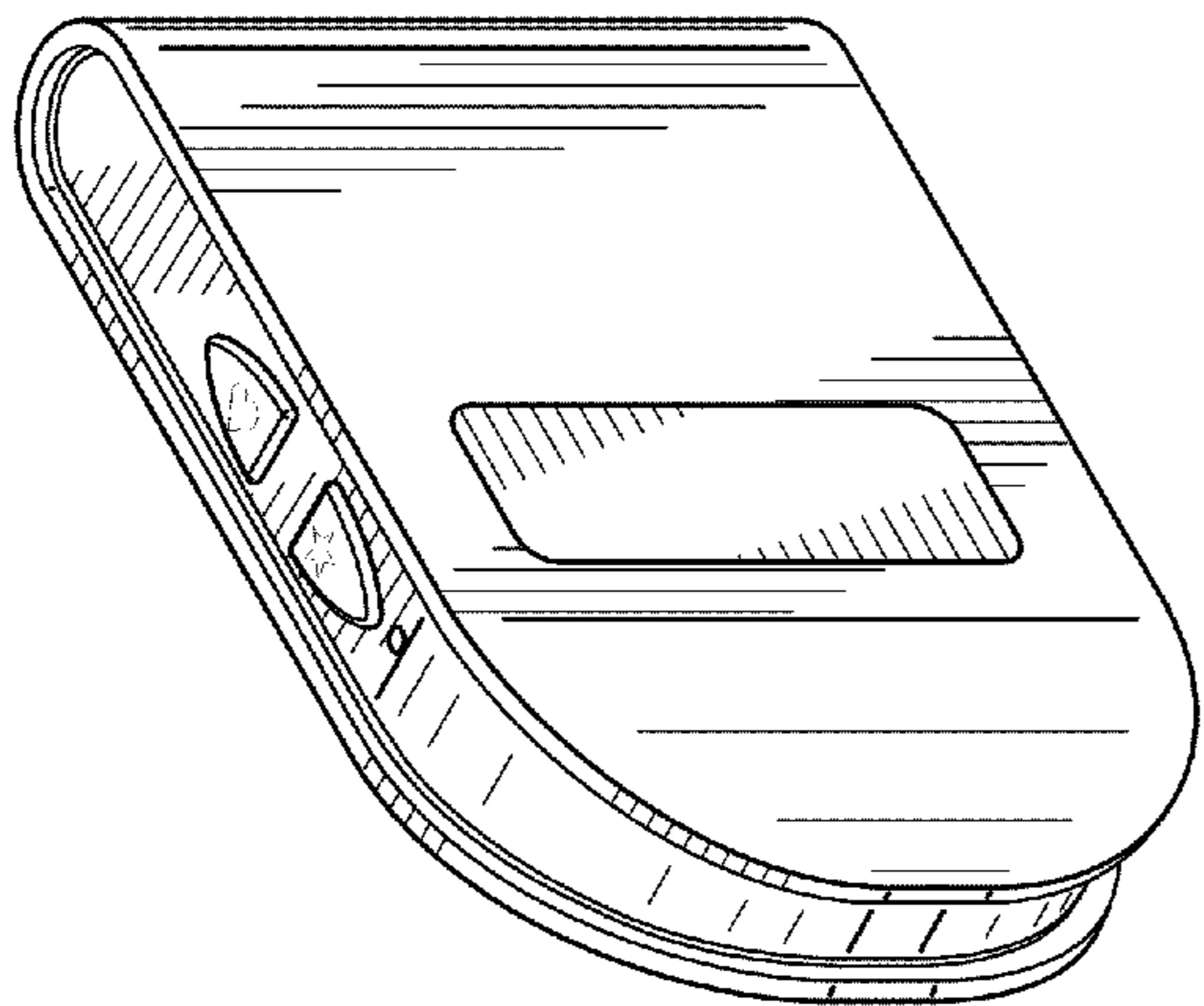
(57) **CLAIM**

The ornamental design for a portable device for remotely transmitting an alert, as shown and described.

DESCRIPTION

FIG. 1 is a top perspective view of the invention.
 FIG. 2 is a bottom perspective view of the invention.
 FIG. 3 is a front elevation view of the invention.
 FIG. 4 is a rear elevation view of the invention.
 FIG. 5 is a left elevation view of the invention.
 FIG. 6 is a right elevation view of the invention.
 FIG. 7 is a front view of the invention.
 FIG. 8 is a rear view of the invention.
 FIG. 9 is a top perspective view of the invention in use as attached to a keychain; and,
 FIG. 10 is a bottom perspective view of the invention in use as attached to a necklace.
 The broken lines in FIGS. 9 & 10 showing the invention in use are included for purposes of illustrating environment and form no part of the claimed design.

1 Claim, 4 Drawing Sheets



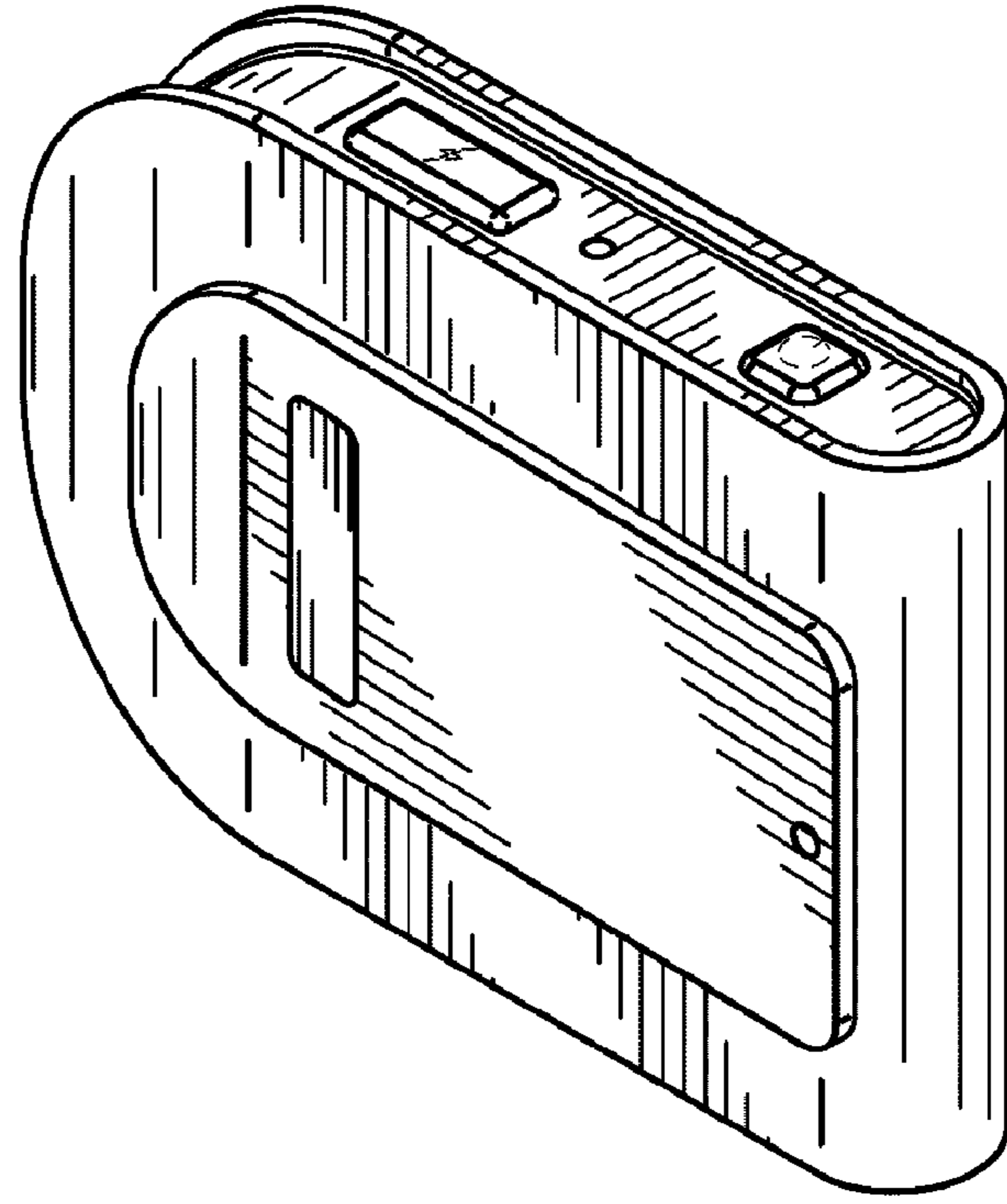


FIG. 2

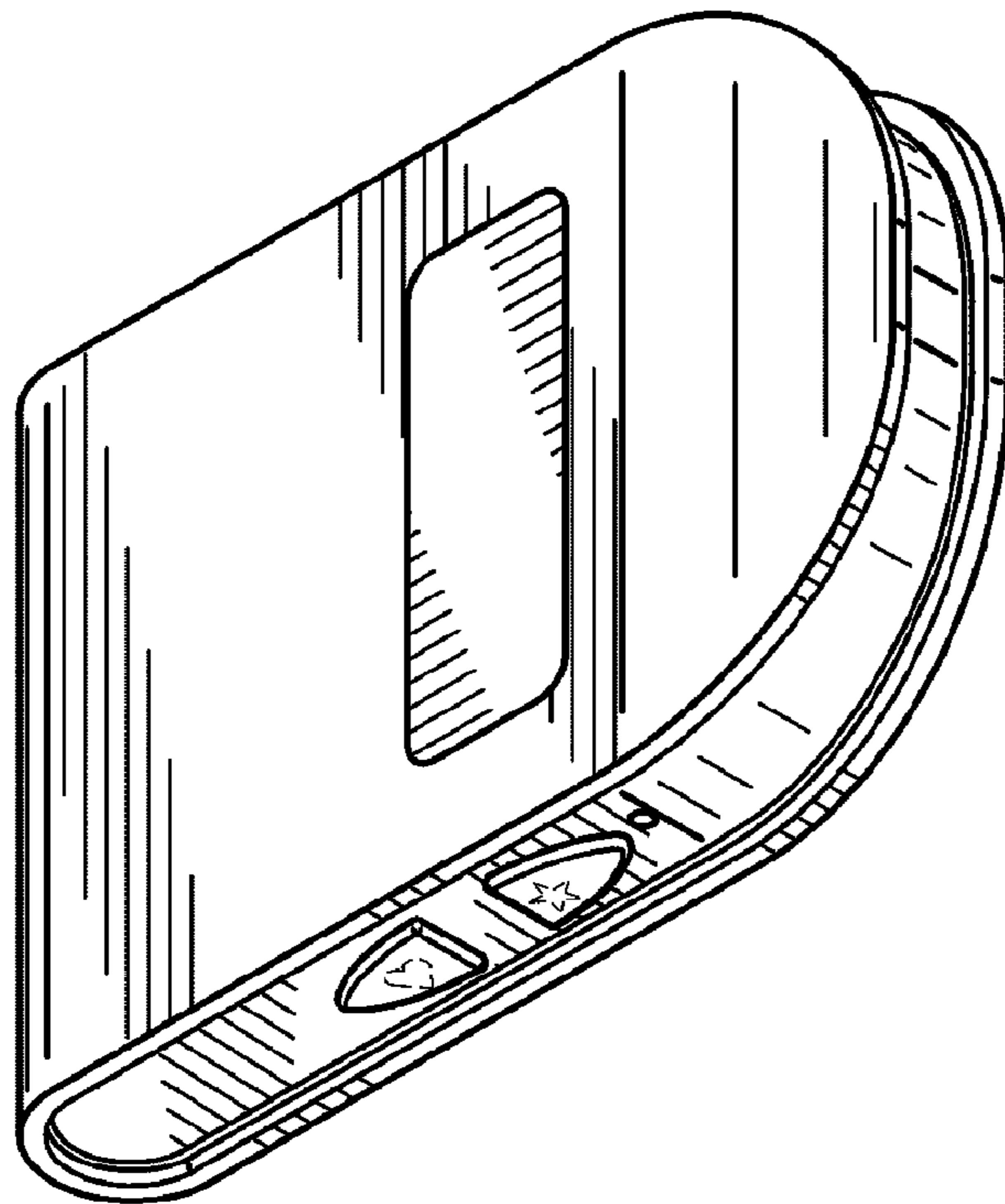


FIG. 1

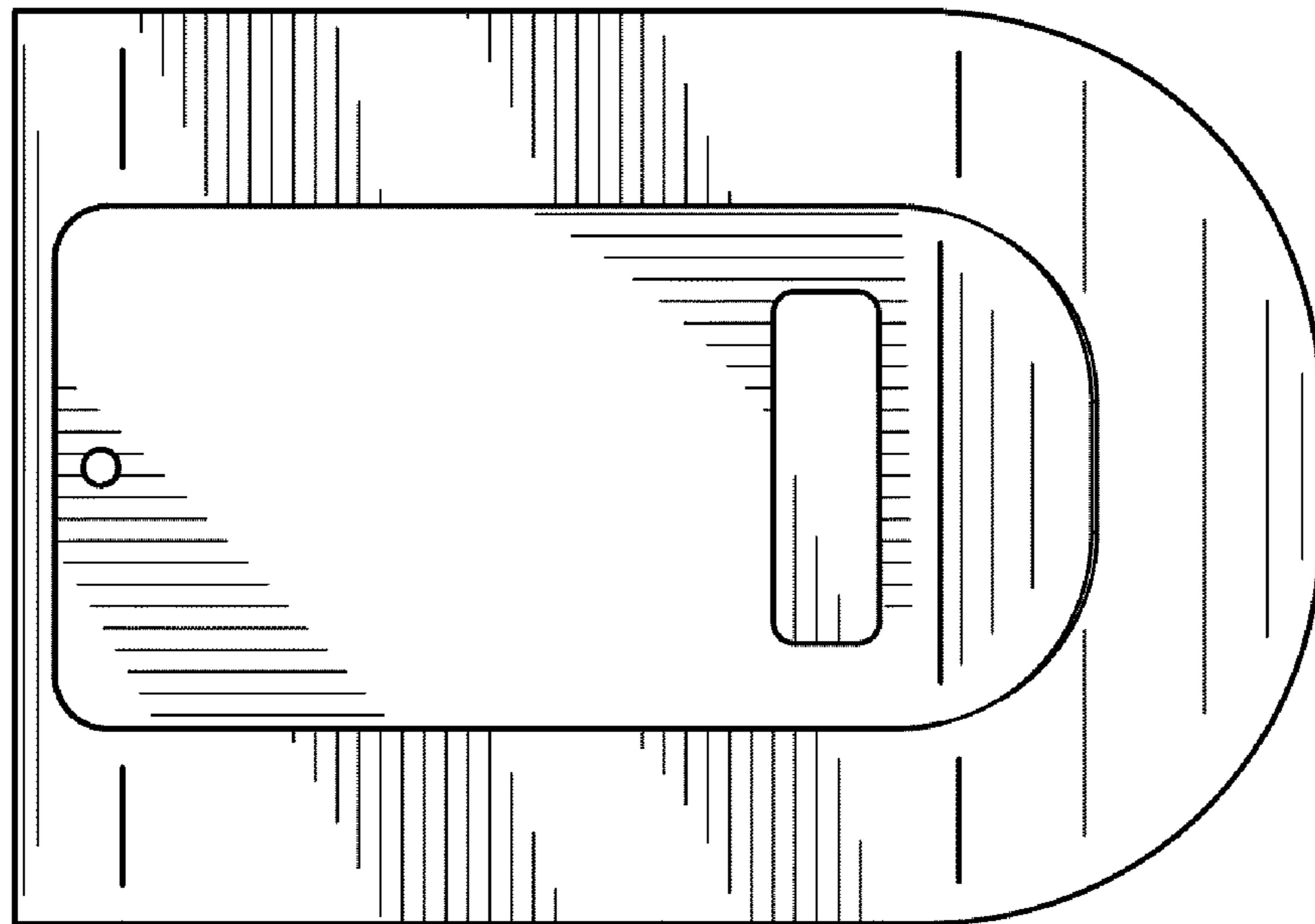


FIG. 4

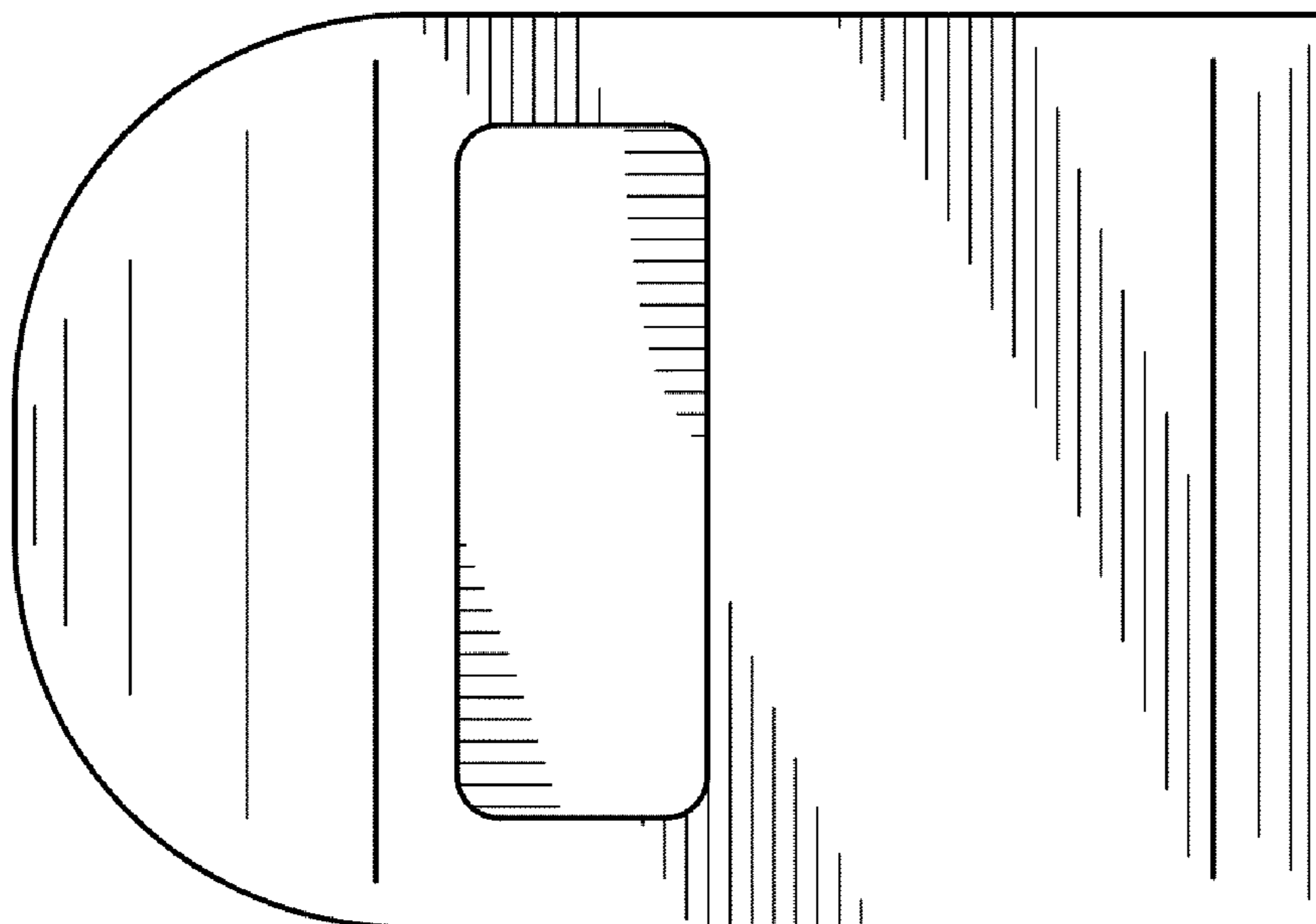


FIG. 3

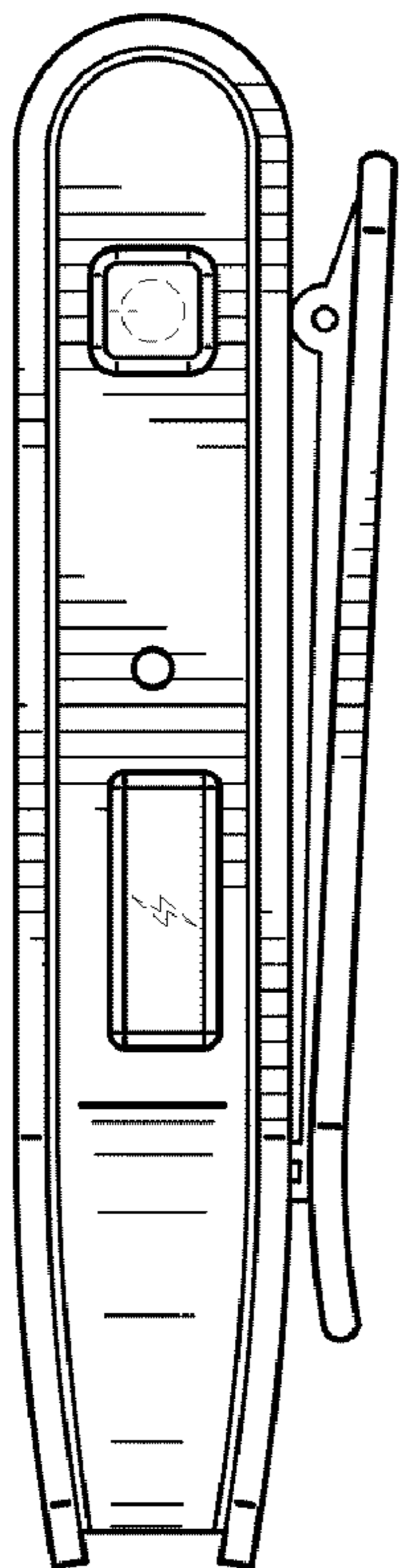


FIG. 6

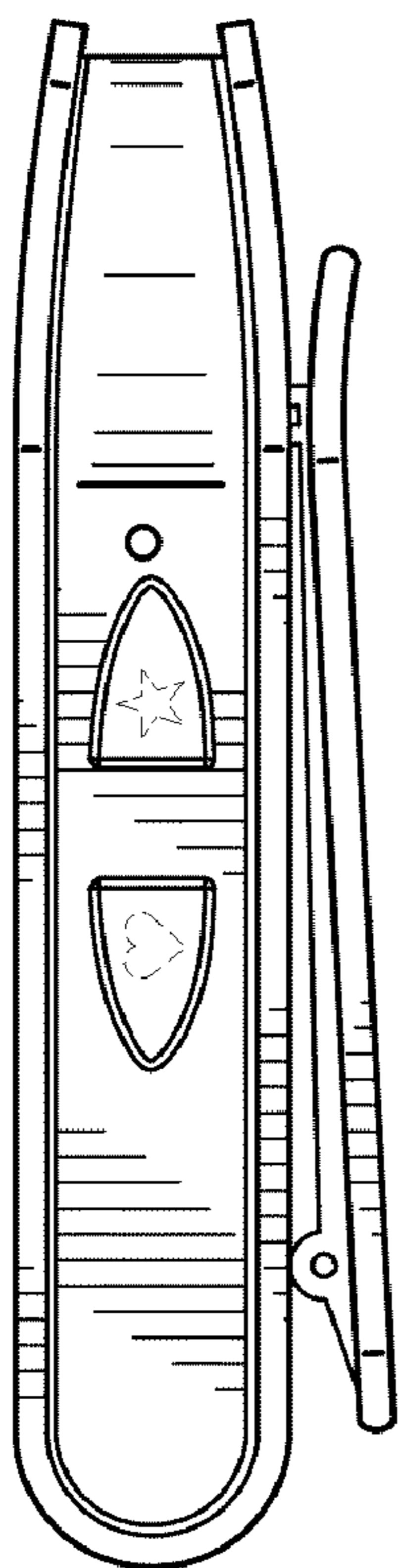


FIG. 5

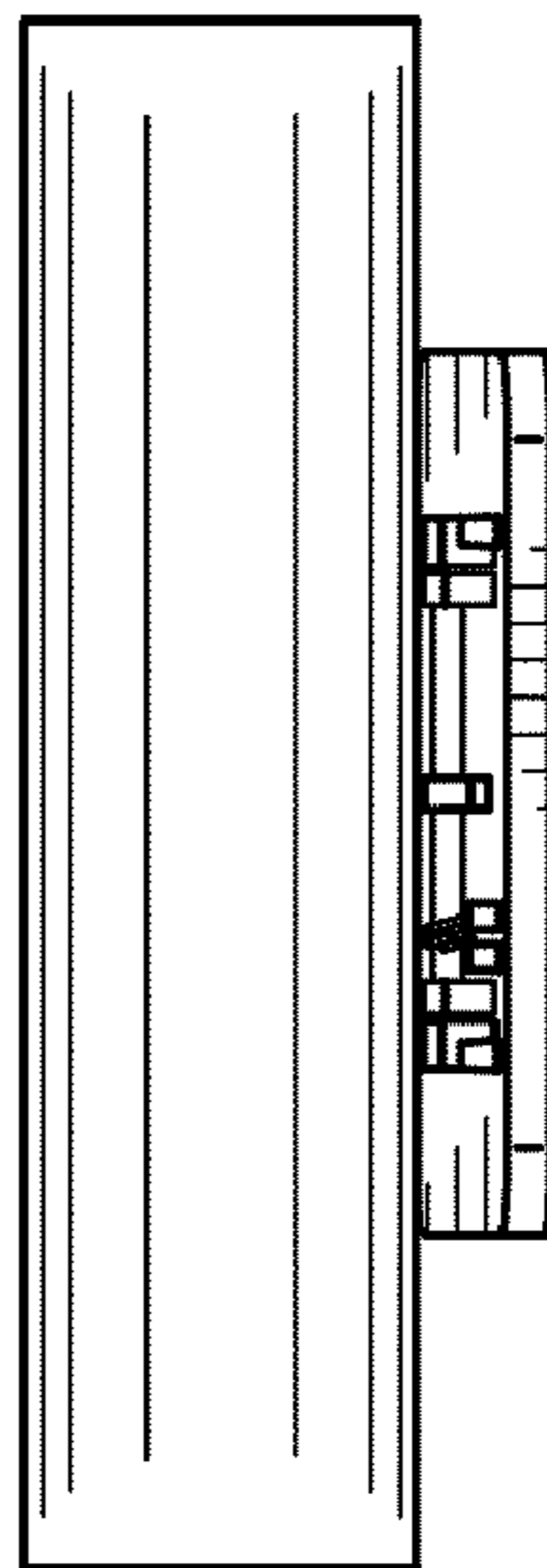


FIG. 8

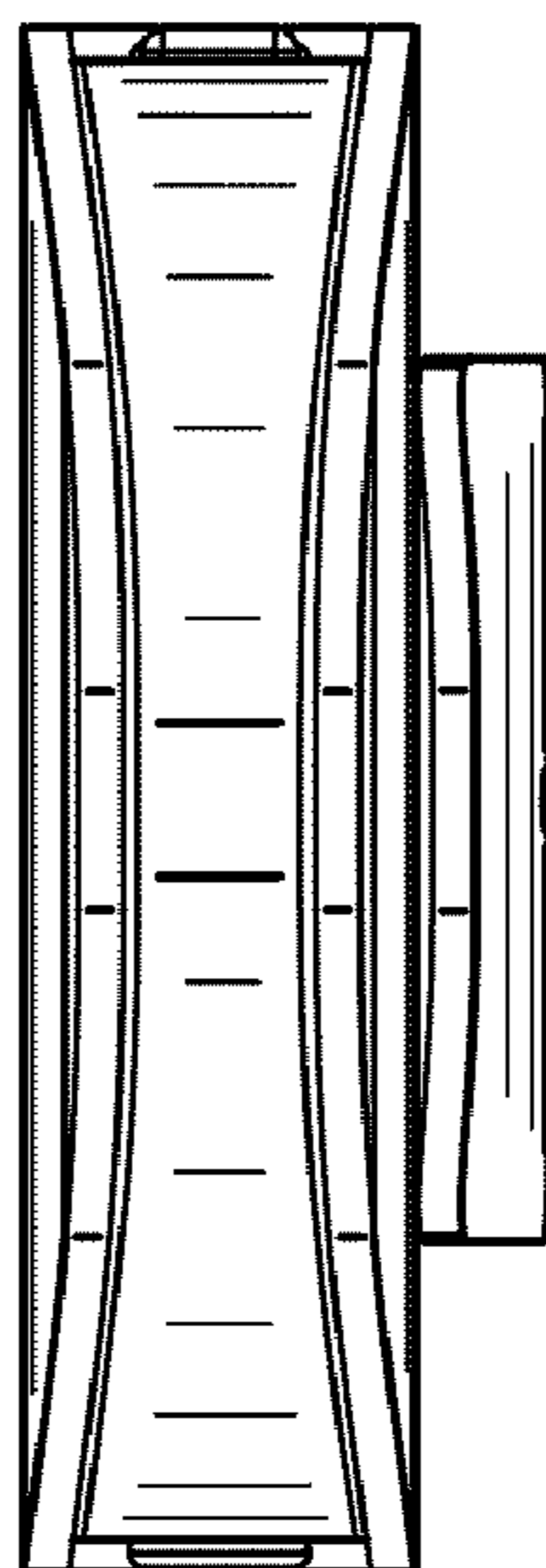


FIG. 7

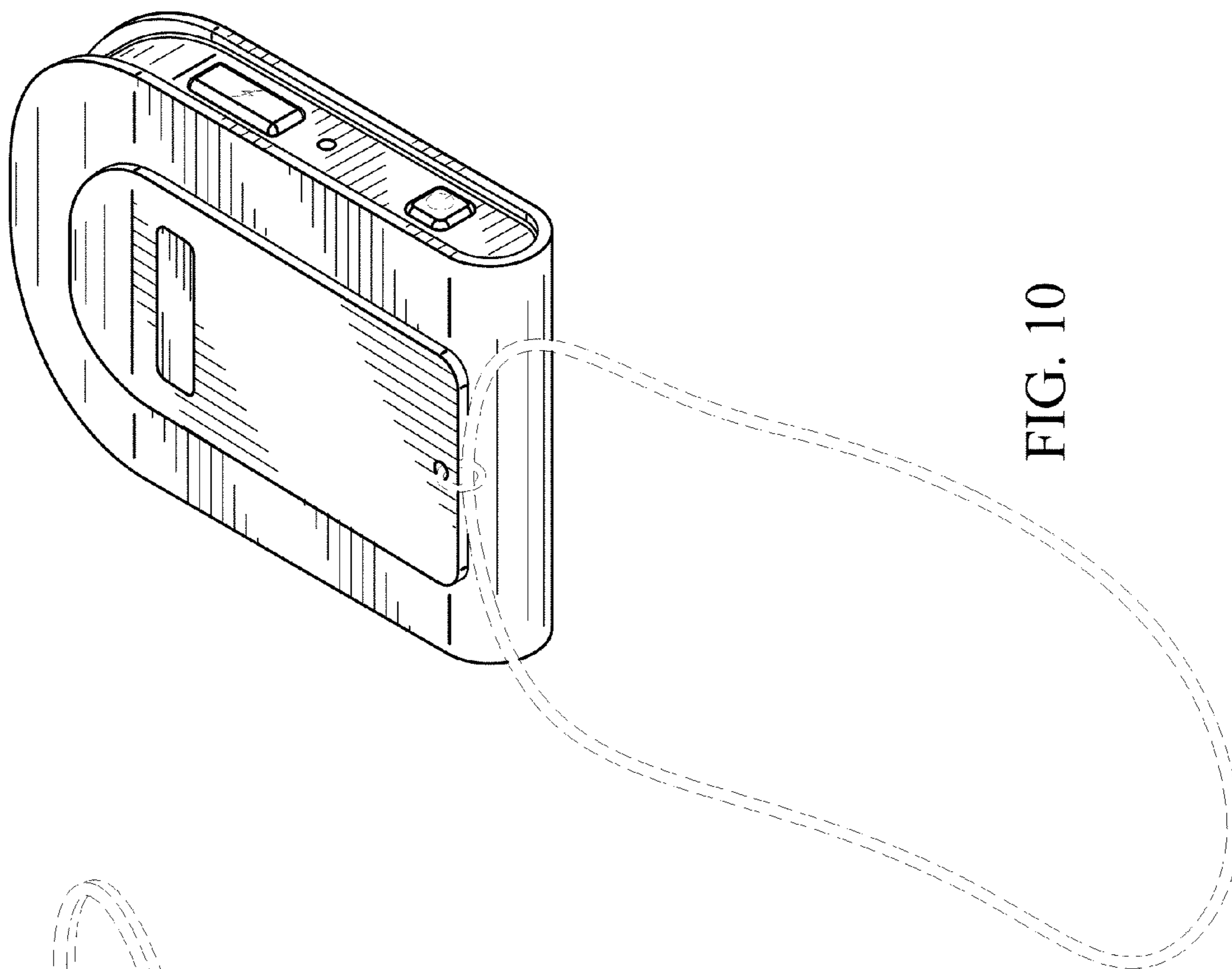


FIG. 10

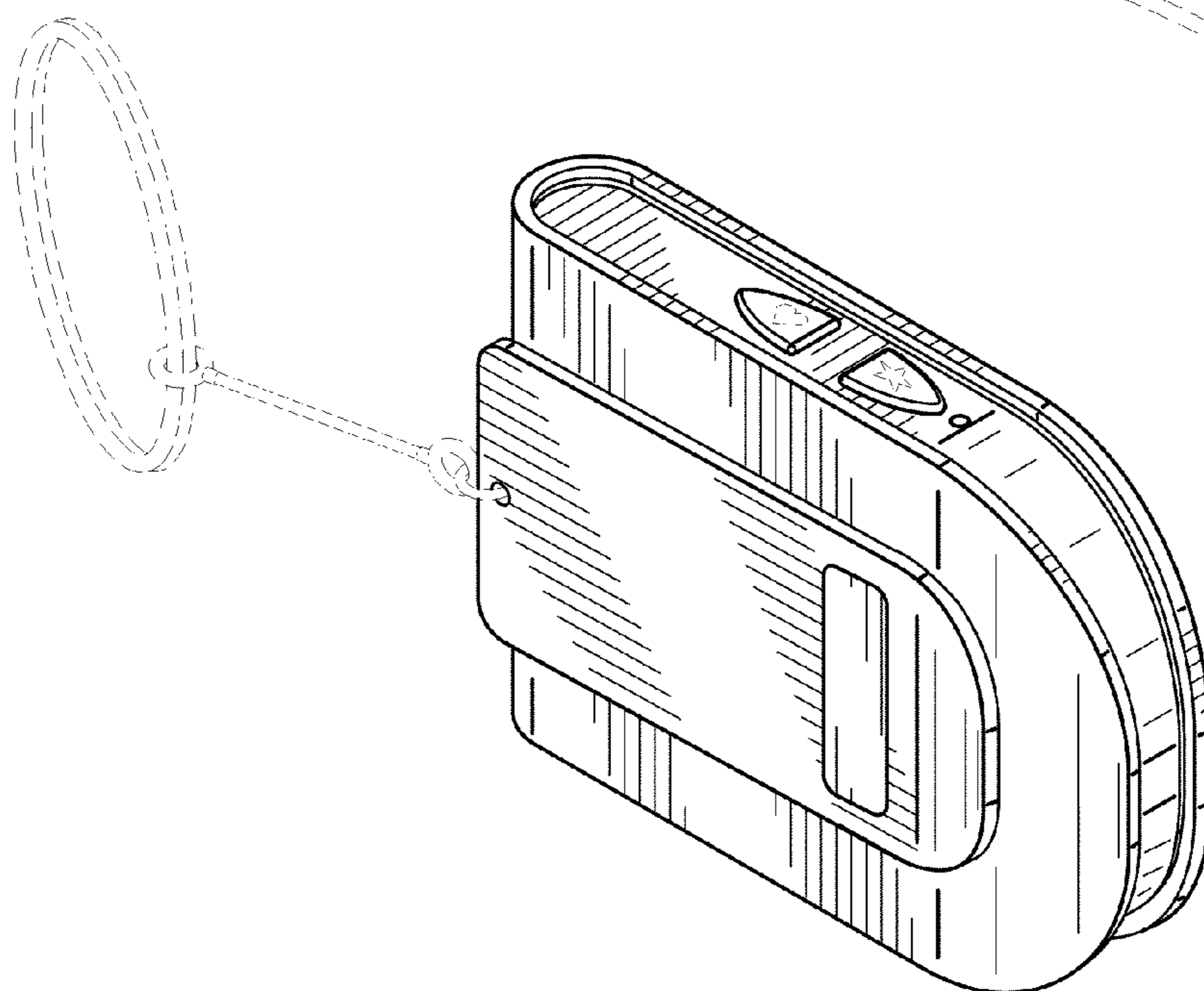


FIG. 9