



US00D646257S

(12) **United States Design Patent**
Geum

(10) **Patent No.:** **US D646,257 S**

(45) **Date of Patent:** **** Oct. 4, 2011**

(54) **MOBILE PHONE**

(75) **Inventor:** **Hye-Gyung Geum, Seoul (KR)**

(73) **Assignee:** **Samsung Electronics Co., Ltd. (KR)**

(**) **Term:** **14 Years**

(21) **Appl. No.:** **29/381,923**

(22) **Filed:** **Dec. 27, 2010**

(30) **Foreign Application Priority Data**

Nov. 26, 2010 (KR) 30-2010-0051003

(51) **LOC (9) Cl.** **14-03**

(52) **U.S. Cl.** **D14/138 G**

(58) **Field of Classification Search** D14/138 R,
D14/138 AD, 138 AC, 138 C, 138 G, 191,
D14/203.1–203.8, 496, 138 AA, 138 AB,
D14/137, 147, 218, 341–347, 247–248; D10/65,
D10/78, 104; D13/168; D18/7; 455/566,
455/575.1, 575.3, 575.4

See application file for complete search history.

(56) **References Cited**

U.S. PATENT DOCUMENTS

D498,754 S *	11/2004	Blyth	D14/341
D509,760 S *	9/2005	Burrell et al.	D10/65
D527,717 S *	9/2006	Kim	D14/138 AD
D530,295 S *	10/2006	Chung et al.	D14/138 AD
D531,610 S *	11/2006	Kim et al.	D14/138 AD
D544,459 S *	6/2007	Wang	D14/138 AD
D549,683 S *	8/2007	Cho et al.	D14/138 AD
D556,169 S *	11/2007	Choi	D14/138 AD
D558,714 S *	1/2008	Kim et al.	D14/138 AD
D560,193 S *	1/2008	Sung et al.	D14/138 AD
D561,730 S *	2/2008	Deubler et al.	D14/138 AA
D562,300 S *	2/2008	Marry et al.	D14/138 AA
D572,695 S *	7/2008	Tu	D14/138 AD

D605,155 S *	12/2009	Cha et al.	D14/138 AD
D606,037 S *	12/2009	Christopher et al.	D14/138 AD
D607,428 S *	1/2010	Kim et al.	D14/138 AD
D613,709 S *	4/2010	Kim et al.	D14/138 AD
D615,942 S *	5/2010	Kim et al.	D14/138 AD
D615,950 S *	5/2010	Cha et al.	D14/138 AD
D619,557 S *	7/2010	Han et al.	D14/138 AD
D620,912 S *	8/2010	Kim et al.	D14/138 AD
D624,039 S *	9/2010	Cha et al.	D14/138 AD
D632,664 S *	2/2011	Zhao	D14/138 AD
2004/0263479 A1 *	12/2004	Shkolnikov	345/169
2005/0288077 A1 *	12/2005	Wu	455/575.4
2011/0105186 A1 *	5/2011	Griffin et al.	455/566

OTHER PUBLICATIONS

Alcatel OT-880 One Touch XTRA, announced Feb. 2010, [online], [retrieved on Mar. 1, 2010]. Retrieved from Internet, <URL: http://www.gsmarena.com>.*

Alcatel OT-909 One Touch MAX, announced Feb. 2010, [online], [retrieved on Mar. 1, 2010]. Retrieved from Internet, <URL: http://www.gsmarena.com>.*

(Continued)

Primary Examiner — Bridget L Eland

(74) *Attorney, Agent, or Firm* — NSIP Law

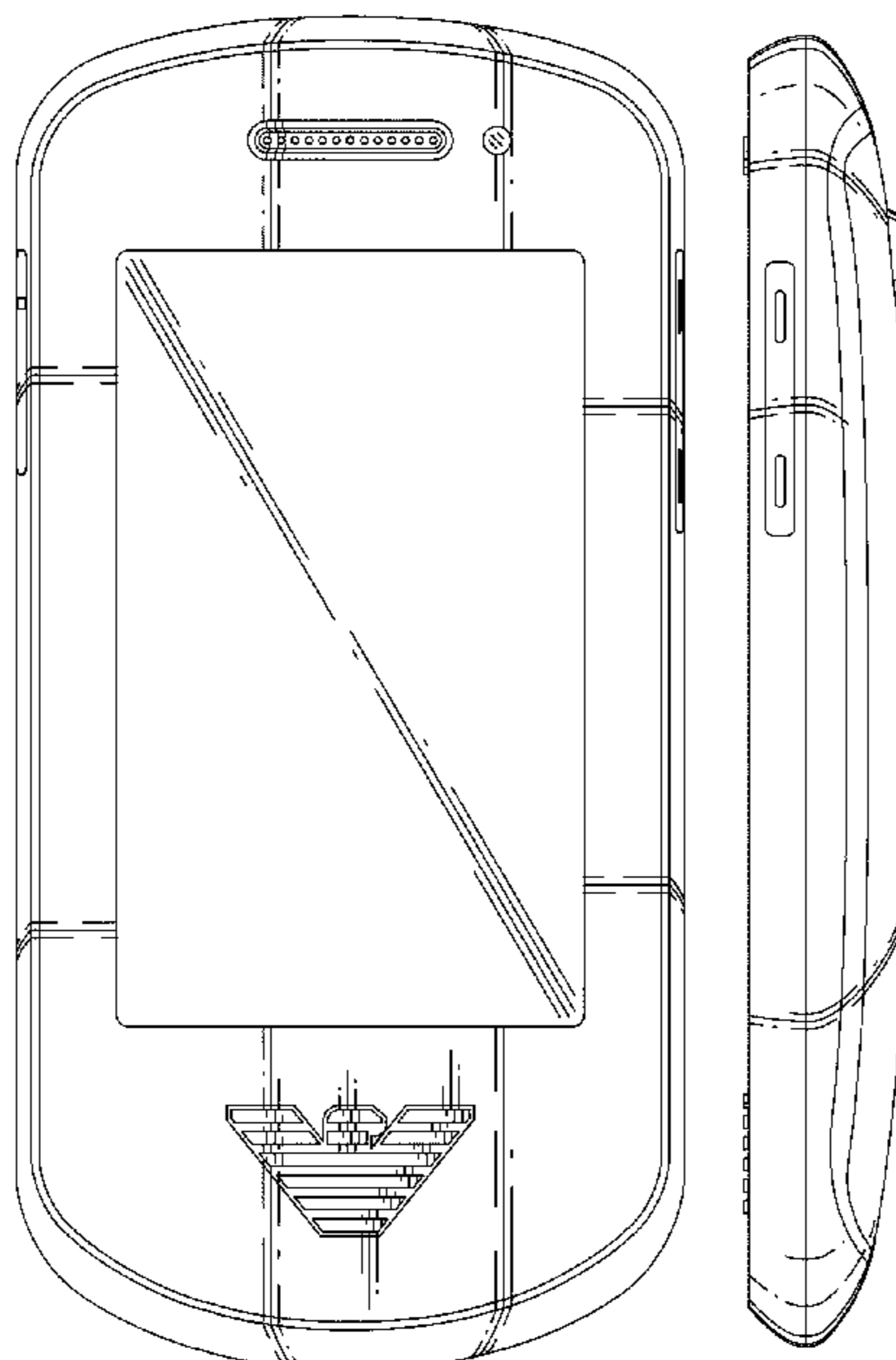
(57) **CLAIM**

The ornamental design for a mobile phone, as shown and described.

DESCRIPTION

FIG. 1 is a perspective view of a mobile phone;
FIG. 2 is a front view of the mobile phone of FIG. 1;
FIG. 3 is a rear view of the mobile phone of FIG. 1;
FIG. 4 is a left-side view of the mobile phone of FIG. 1;
FIG. 5 is a right-side view of the mobile phone of FIG. 1;
FIG. 6 is a top plan view of the mobile phone of FIG. 1; and,
FIG. 7 is a bottom plan view of the mobile phone of FIG. 1.

1 Claim, 5 Drawing Sheets



OTHER PUBLICATIONS

Motorola XT800, announced Dec. 2009, [online], [retrieved on Jan. 4, 2010]. Retrieved from Internet ,<URL: <http://www.gsmarena.com>>.*

Samsung S5560, announced Oct. 2009, [online], [retrieved on Oct. 28, 2009]. Retrieved from Internet ,<URL: <http://www.gsmarena.com>>.*

* cited by examiner

FIG. 1

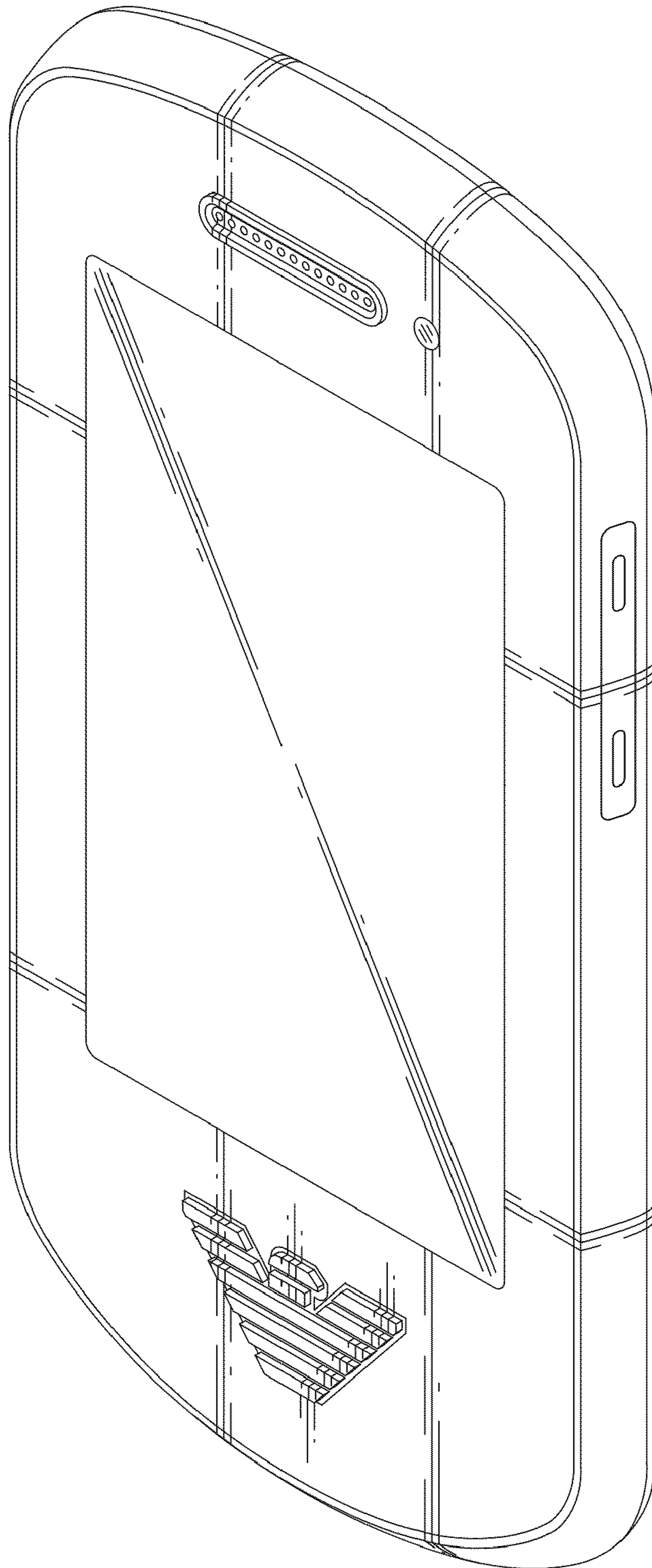


FIG. 2

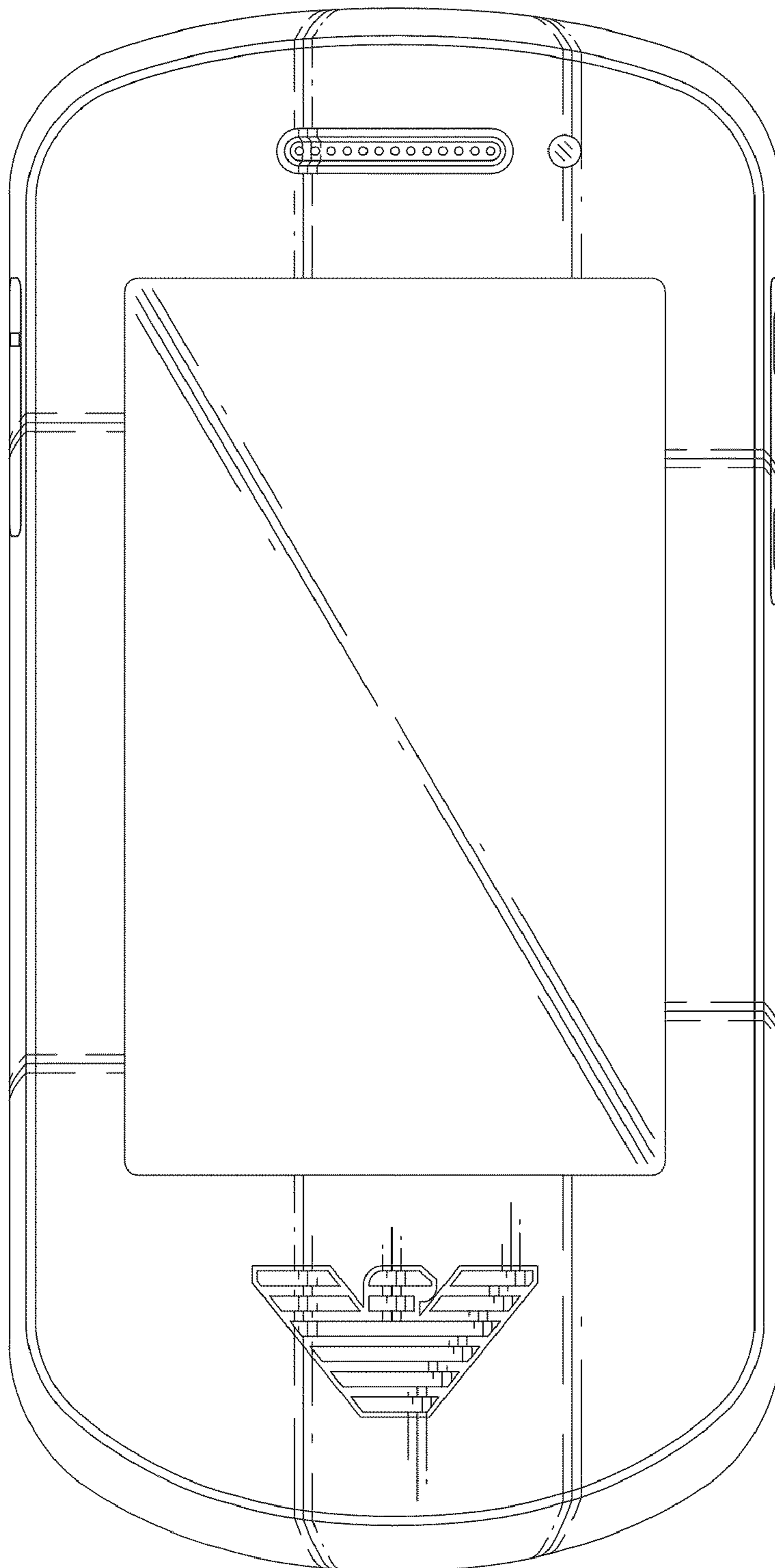


FIG. 3

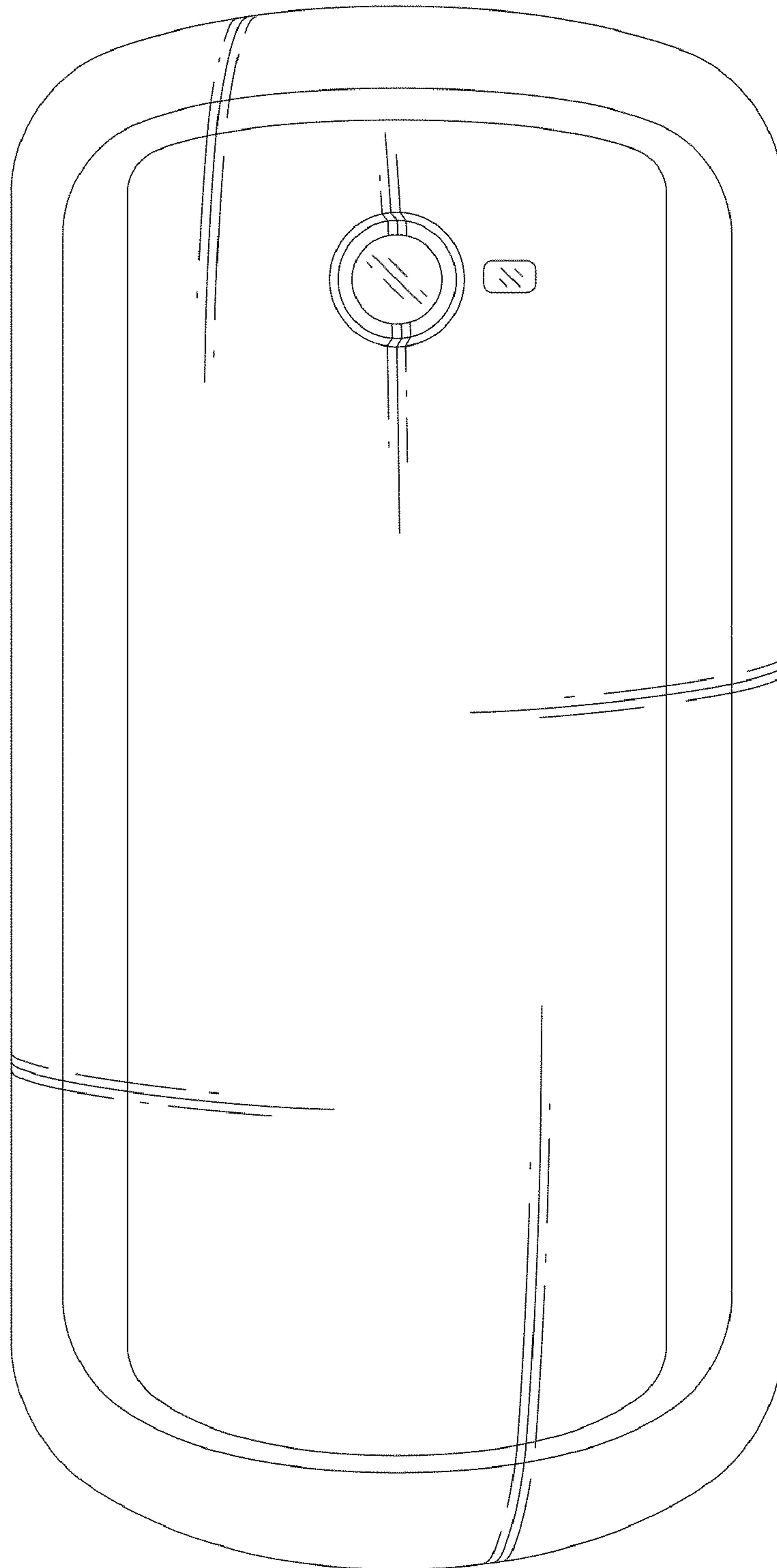


FIG. 4

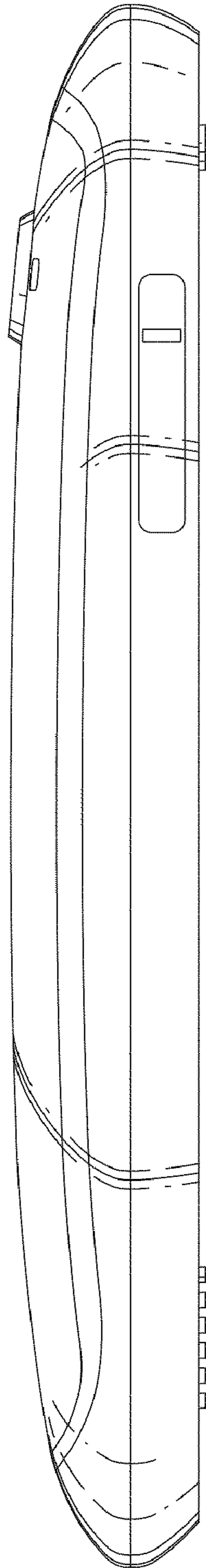


FIG. 5

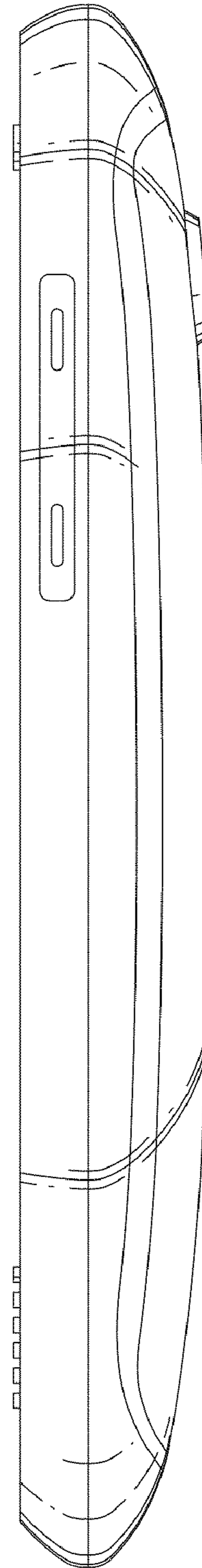


FIG. 6

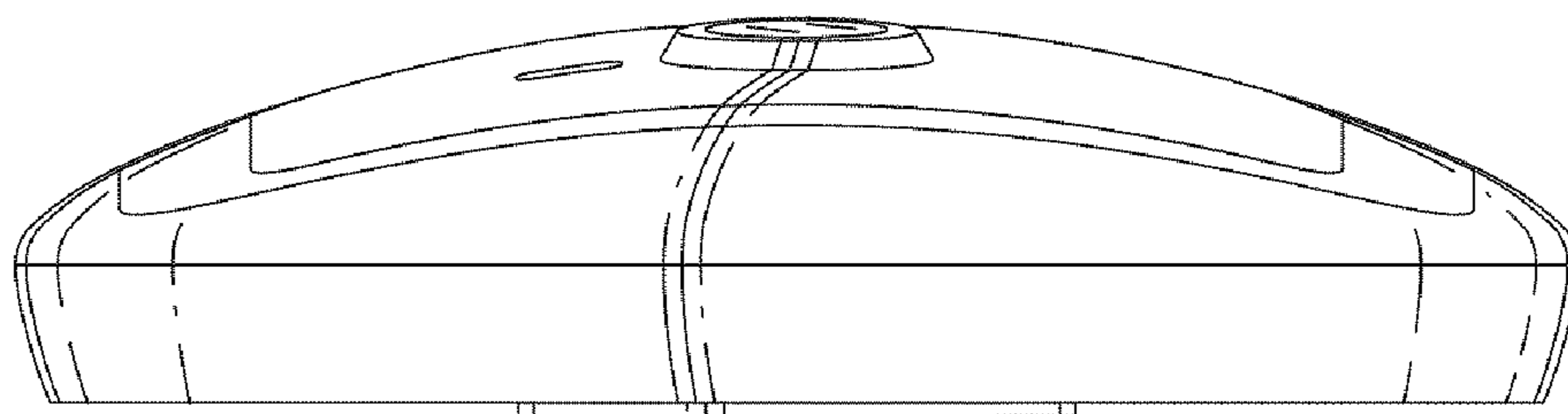


FIG. 7

