



US00D646256S

(12) **United States Design Patent**
Kim

(10) **Patent No.:** **US D646,256 S**
(45) **Date of Patent:** **** Oct. 4, 2011**

(54) **MOBILE PHONE**

(75) Inventor: **Ki-Sung Kim**, Seoul (KR)

(73) Assignee: **Samsung Electronics Co., Ltd.** (KR)

(**) Term: **14 Years**

(21) Appl. No.: **29/381,922**

(22) Filed: **Dec. 27, 2010**

(30) **Foreign Application Priority Data**

Nov. 26, 2010 (KR) 30-2010-0050992

(51) **LOC (9) Cl.** **14-03**

(52) **U.S. Cl.** **D14/138 G**

(58) **Field of Classification Search** D14/138 R,
D14/138 AD, 138 AC, 138 C, 138 G, 191,
D14/203.1–203.8, 496, 138 AA, 138 AB,
D14/137, 147, 218, 341–347, 247–248; D10/65,
D10/78, 104; D13/168; D18/7; 455/566,
455/575.1, 575.3, 575.4

See application file for complete search history.

(56) **References Cited**

U.S. PATENT DOCUMENTS

D488,468 S *	4/2004	Hu	D14/341
D519,998 S *	5/2006	Park	D14/346
D528,090 S *	9/2006	Lee et al.	D14/138 AD
D528,526 S *	9/2006	Shin	D14/138 AD
D553,596 S *	10/2007	Kim et al.	D14/138 AD
D560,193 S *	1/2008	Sung et al.	D14/138 AD
D601,539 S *	10/2009	Hong	D14/138 G
D603,356 S *	11/2009	Sterzick et al.	D14/138 G
D607,865 S *	1/2010	Lee et al.	D14/138 AD
D608,331 S *	1/2010	Kim et al.	D14/138 AC
D615,956 S *	5/2010	Lin et al.	D14/138 G
D616,859 S *	6/2010	Ho et al.	D14/138 G
D618,200 S *	6/2010	Kim et al.	D14/138 AD
D621,378 S *	8/2010	Kim et al.	D14/138 AD
D628,184 S *	11/2010	Jung et al.	D14/138 G
D629,783 S *	12/2010	Kim et al.	D14/138 G

D636,368 S *	4/2011	Kim	D14/138 AD
D637,990 S *	5/2011	Lee et al.	D14/138 AD
2006/0166713 A1 *	7/2006	Yeh et al.	455/575.1
2006/0205451 A1 *	9/2006	Pan	455/575.4
2007/0218963 A1 *	9/2007	Kim	455/575.4
2008/0074399 A1 *	3/2008	Lee	345/173
2008/0096616 A1 *	4/2008	Choi	455/575.1
2009/0061963 A1 *	3/2009	Miyaoka	455/575.4
2010/0099464 A1 *	4/2010	Kim	455/566
2010/0251152 A1 *	9/2010	Cho et al.	715/765

OTHER PUBLICATIONS

Acer M900, announced Feb. 2009, [online], [retrieved on Oct. 28, 2009]. Retrieved from Internet ,<URL: <http://www.gsmarena.com>>.*

LG Optimus One P500, announced Jul. 2010, [online], [retrieved on Sep. 29, 2010]. Retrieved from Internet ,<URL: <http://www.gsmarena.com>>.*

Samsung Galaxy Mini S5570, comment posted Jan. 16, 2011, [online], [retrieved on Jan. 29, 2011]. Retrieved from Internet, <URL: <http://www.gsmarena.com>>.*

Samsung S5560, announced Oct. 2009, [online], [retrieved on Oct. 28, 2009]. Retrieved from Internet ,<URL: <http://www.gsmarena.com>>.*

* cited by examiner

Primary Examiner — Bridget L Eland

(74) *Attorney, Agent, or Firm* — NSIP Law

(57) **CLAIM**

The ornamental design for a mobile phone, as shown and described.

DESCRIPTION

FIG. 1 is a perspective view of a mobile phone;
FIG. 2 is a front view of the mobile phone of FIG. 1;
FIG. 3 is a rear view of the mobile phone of FIG. 1;
FIG. 4 is a left-side view of the mobile phone of FIG. 1;
FIG. 5 is a right-side view of the mobile phone of FIG. 1;
FIG. 6 is a top plan view of the mobile phone of FIG. 1; and,
FIG. 7 is a bottom plan view of the mobile phone of FIG. 1.

1 Claim, 5 Drawing Sheets

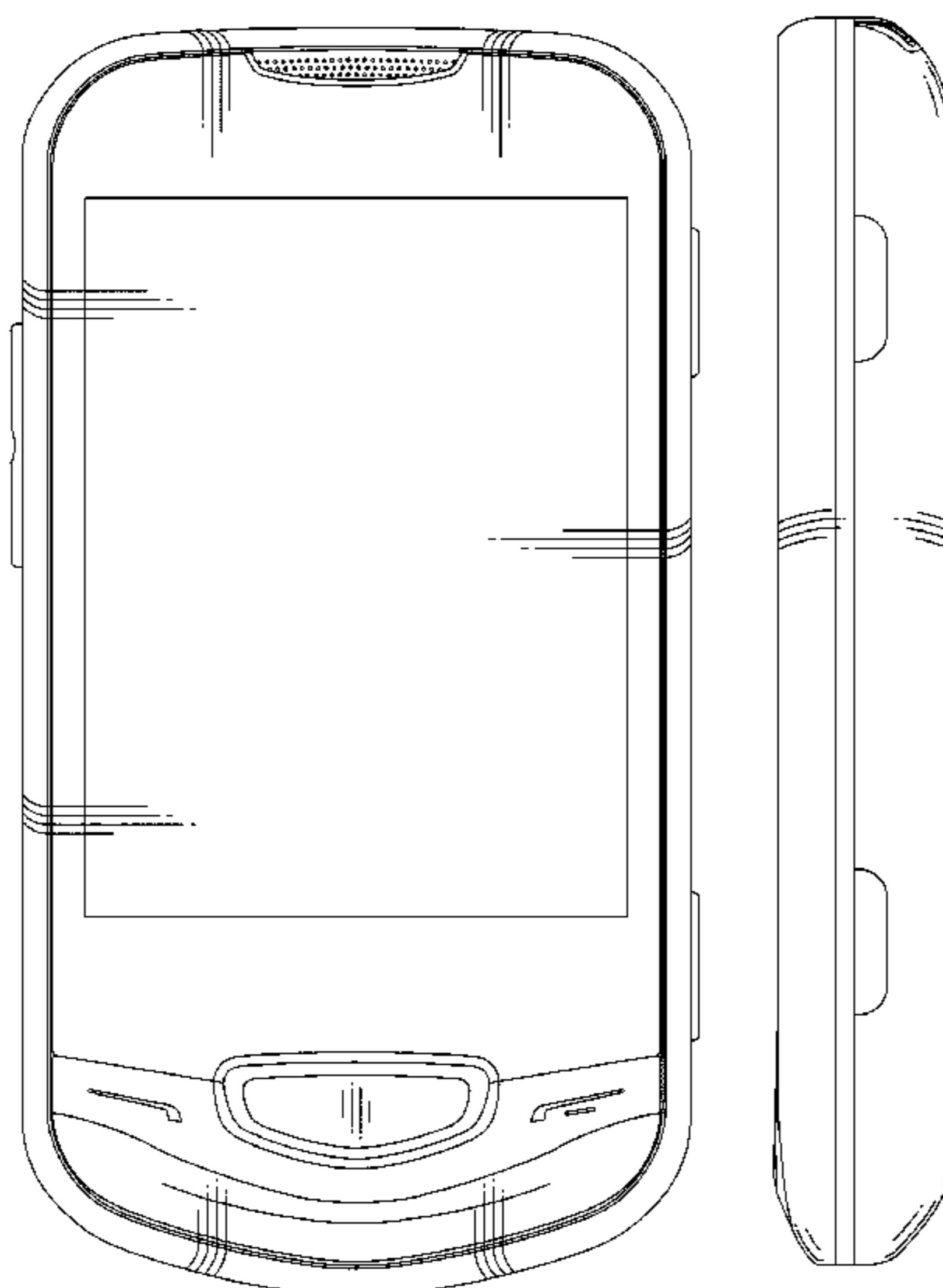


FIG. 1

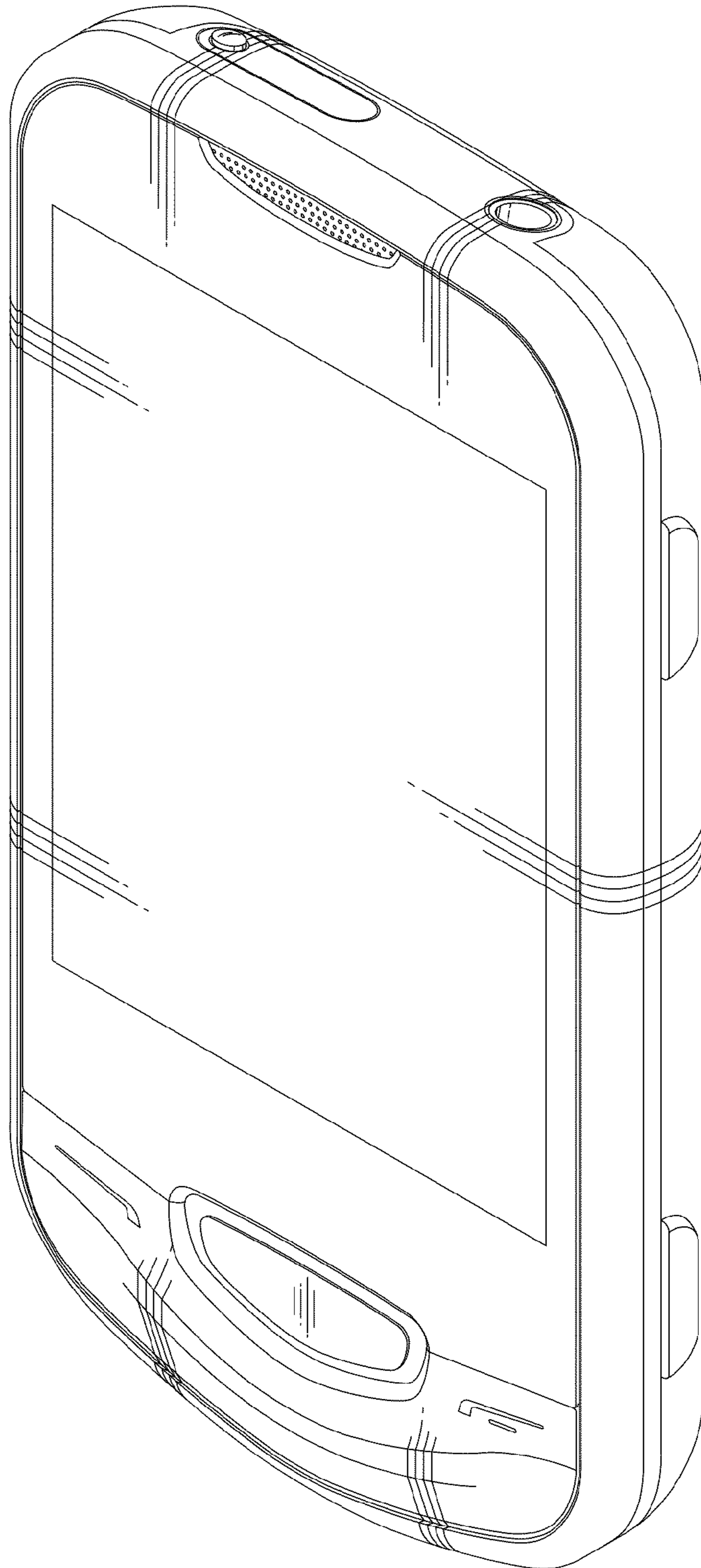


FIG. 2

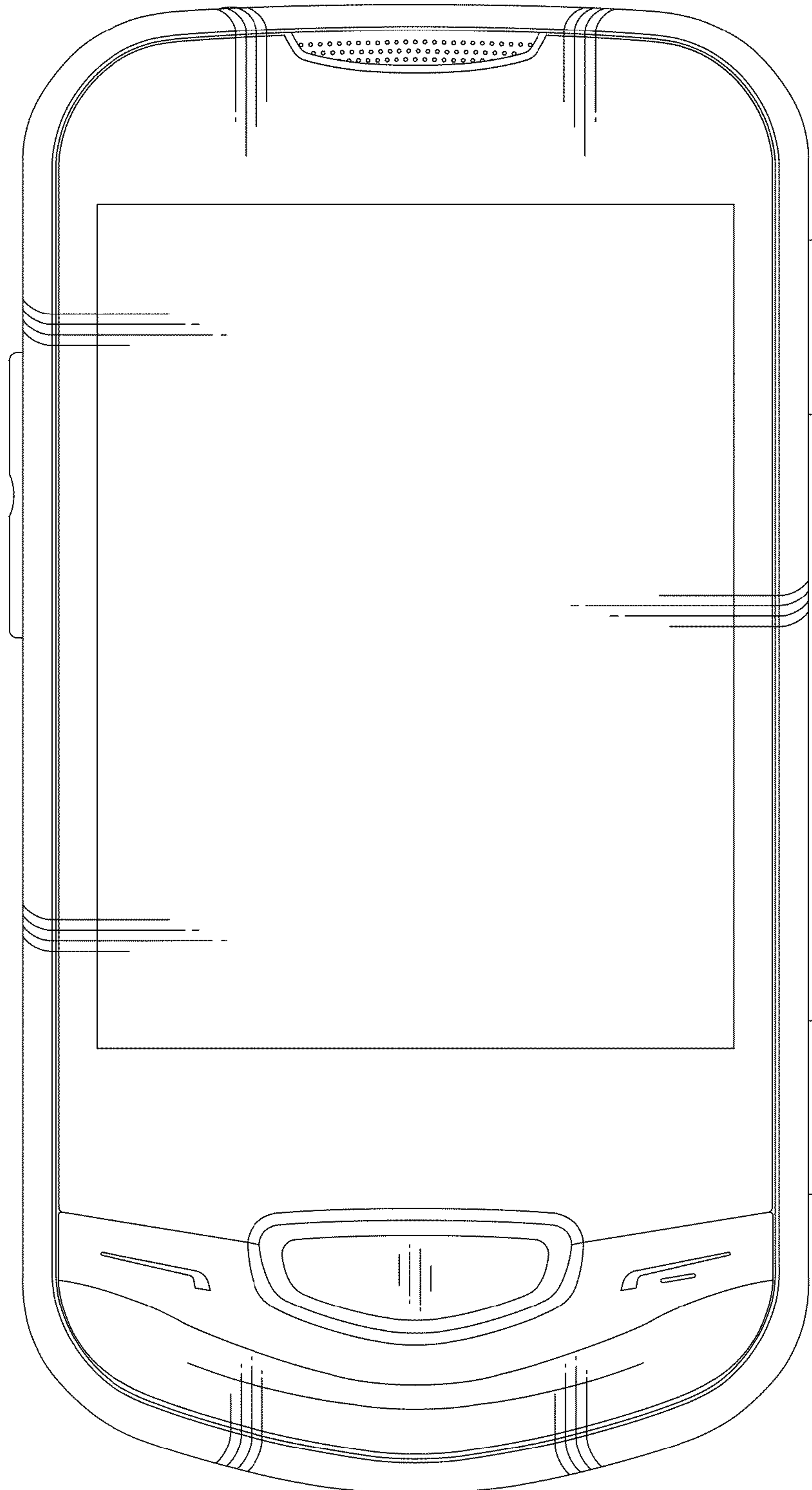


FIG. 3

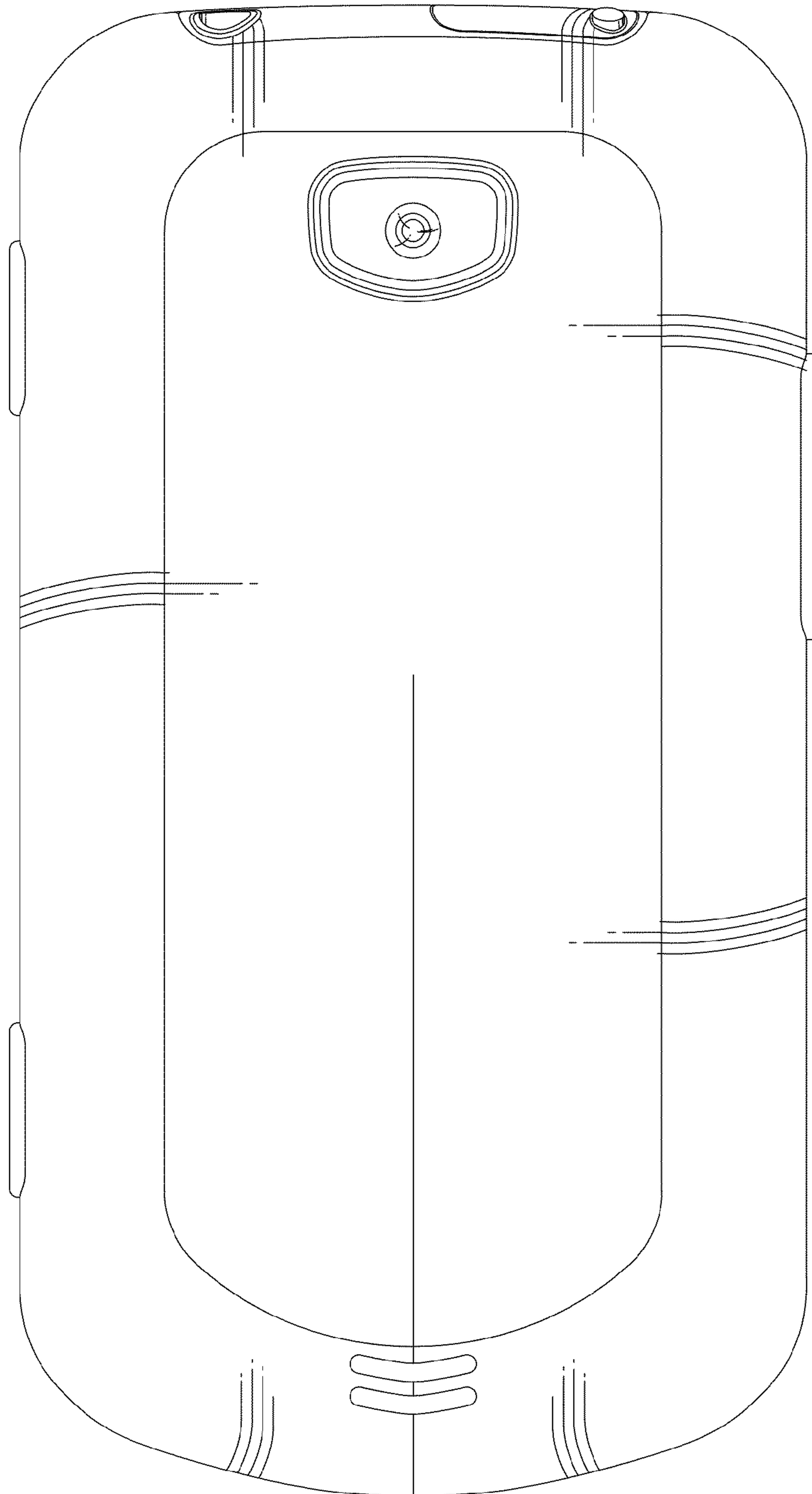


FIG. 4

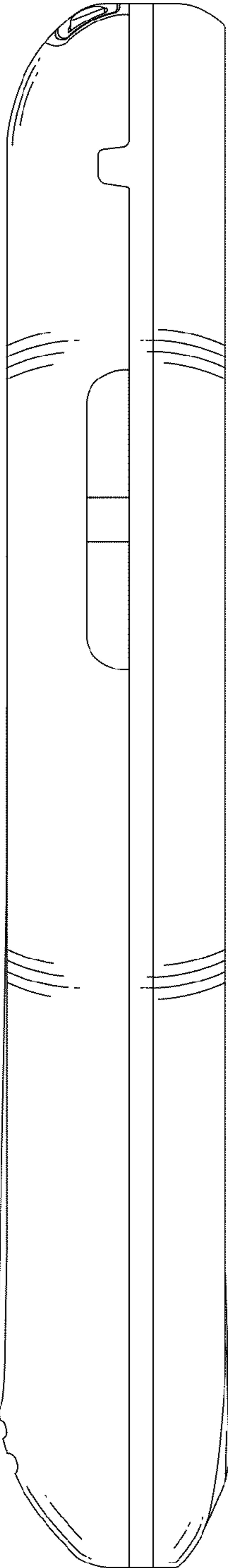


FIG. 5

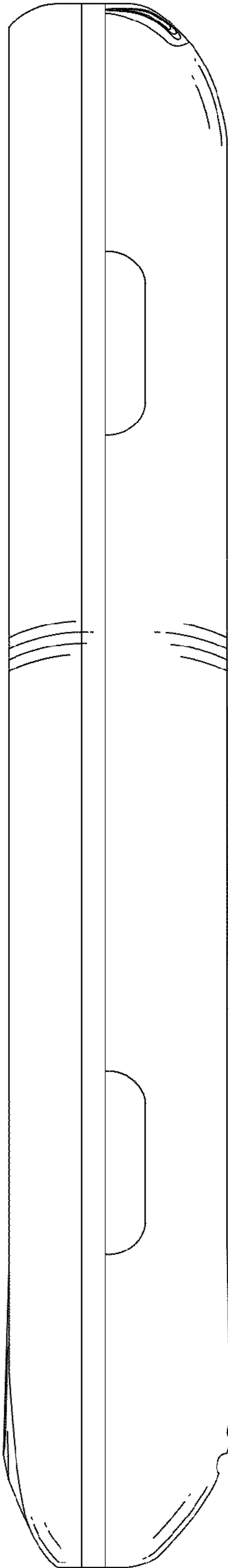


FIG. 6

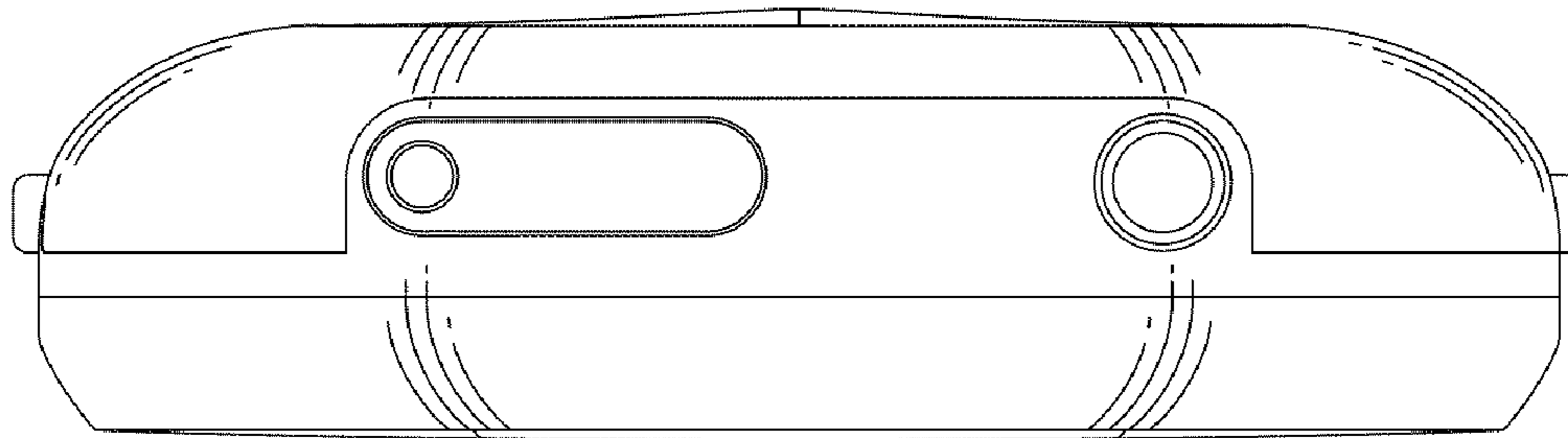


FIG. 7

