



US00D646255S

(12) **United States Design Patent**
Kim

(10) **Patent No.:** **US D646,255 S**
(45) **Date of Patent:** **** Oct. 4, 2011**

(54) **MOBILE PHONE**

(75) Inventor: **Han Kim**, Namyangjoo-Si (KR)

(73) Assignee: **Samsung Electronics Co., Ltd.** (KR)

(**) Term: **14 Years**

(21) Appl. No.: **29/381,920**

(22) Filed: **Dec. 27, 2010**

(30) **Foreign Application Priority Data**

Nov. 26, 2010 (KR) 30-2010-0050983

(51) **LOC (9) Cl.** **14-03**

(52) **U.S. Cl.** **D14/138 G**

(58) **Field of Classification Search** D14/138 R,
D14/138 AD, 138 AC, 138 C, 138 G, 191,
D14/203.1–203.8, 496, 138 AA, 138 AB,
D14/137, 147, 218, 341–347, 247–248; D10/65,
D10/78, 104; D13/168; D18/7; 455/566,
455/575.1, 575.3, 575.4

See application file for complete search history.

(56) **References Cited**

U.S. PATENT DOCUMENTS

D525,609	S	*	7/2006	Kim et al.	D14/138 AB
D563,938	S	*	3/2008	Kim et al.	D14/138 AD
D565,596	S	*	4/2008	Kim	D14/496
D567,819	S	*	4/2008	Devericks et al.	D14/496
D579,433	S	*	10/2008	Han et al.	D14/138 AD
D582,379	S	*	12/2008	Kim et al.	D14/138 AD
D589,021	S	*	3/2009	Millora	D14/138 AD
D590,796	S	*	4/2009	Kim et al.	D14/138 AD
D591,257	S	*	4/2009	Shin et al.	D14/138 AD
D592,168	S	*	5/2009	Bai et al.	D14/138 G
D592,629	S	*	5/2009	Bai et al.	D14/138 AD
D593,132	S	*	5/2009	Kim	D14/496
D594,833	S	*	6/2009	Park	D14/138 G

D594,840	S	*	6/2009	Kim et al.	D14/138 G
D603,362	S	*	11/2009	Kim et al.	D14/138 G
D604,710	S	*	11/2009	Suzuki	D14/138 AD
D612,830	S	*	3/2010	Kim et al.	D14/138 G
D627,344	S	*	11/2010	Chien et al.	D14/341
D629,787	S	*	12/2010	Lee	D14/203.7
D633,091	S	*	2/2011	Andre et al.	D14/341
D633,468	S	*	3/2011	Lee	D14/203.7
7,941,192	B2	*	5/2011	Mifune et al.	455/575.4
2006/0030381	A1	*	2/2006	Byun et al.	455/575.4
2007/0123322	A1	*	5/2007	Mizushina	455/575.1
2010/0255862	A1	*	10/2010	Mitsunaga et al.	455/466
2011/0081953	A1	*	4/2011	Higuchi	455/566

OTHER PUBLICATIONS

Gigabyte g-Smart S1200, announced Jun. 2008, [online], [retrieved on Feb. 20, 2009]. Retrieved from Internet ,<URL: <http://www.gsmarena.com>>.*

HTC MAX 4G, announced Nov. 2008, [online], [retrieved on Nov. 14, 2008]. Retrieved from Internet ,<URL: <http://www.gsmarena.com>>.*

* cited by examiner

Primary Examiner — Bridget L Eland

(74) *Attorney, Agent, or Firm* — NSIP Law

(57) **CLAIM**

The ornamental design for a mobile phone, as shown and described.

DESCRIPTION

FIG. 1 is a perspective view of a mobile phone;
FIG. 2 is a front view of the mobile phone of FIG. 1;
FIG. 3 is a rear view of the mobile phone of FIG. 1;
FIG. 4 is a left-side view of the mobile phone of FIG. 1;
FIG. 5 is a right-side view of the mobile phone of FIG. 1;
FIG. 6 is a top plan view of the mobile phone of FIG. 1; and,
FIG. 7 is a bottom plan view of the mobile phone of FIG. 1.

1 Claim, 5 Drawing Sheets

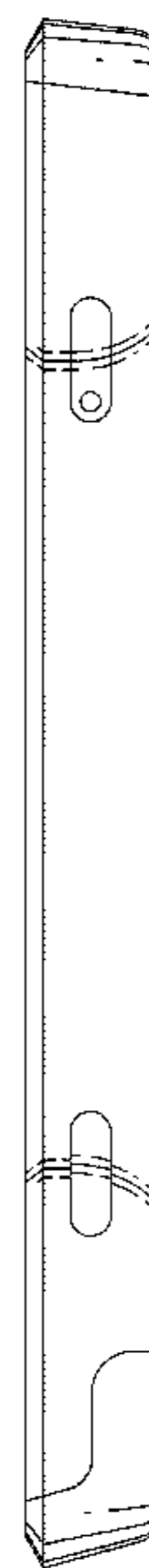
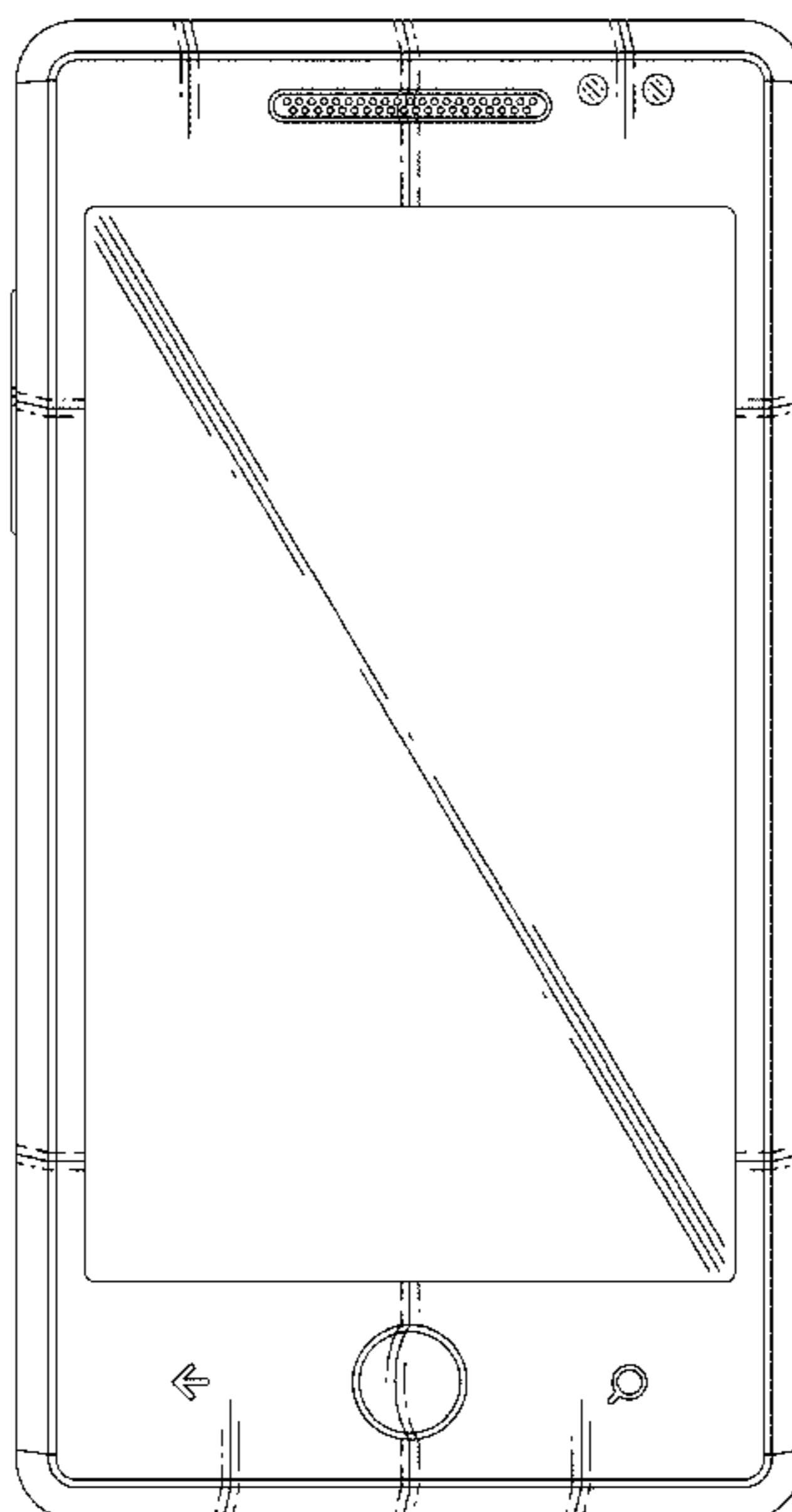


FIG. 1

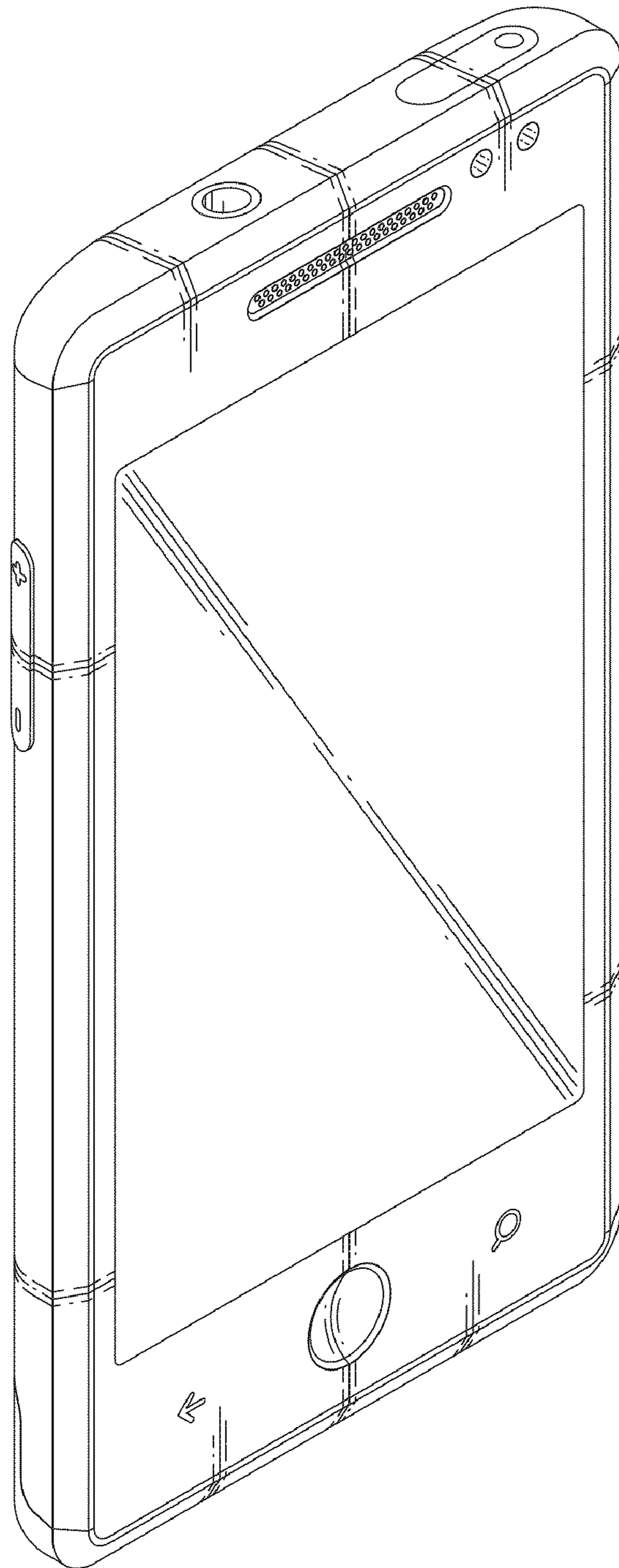


FIG. 2

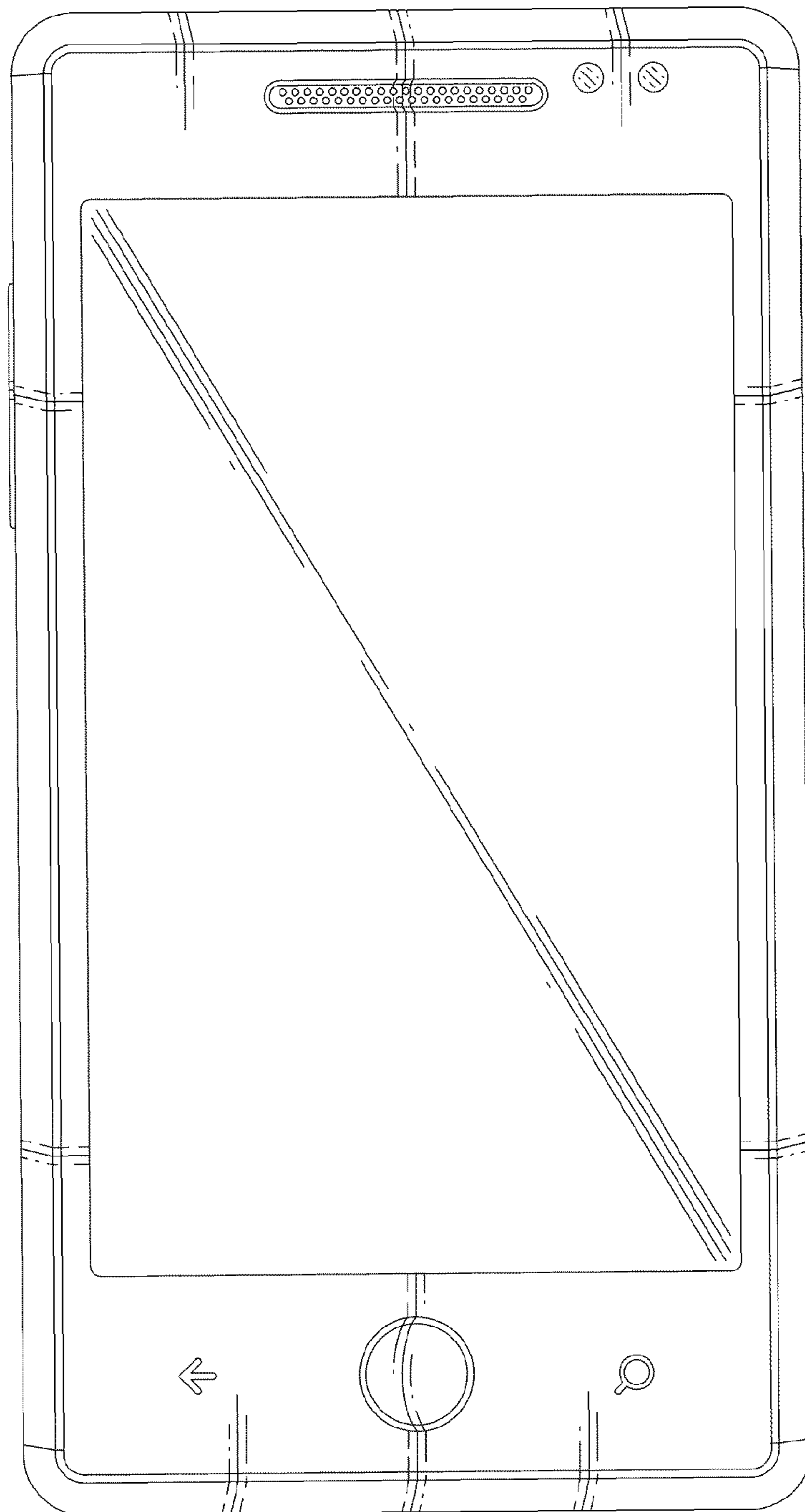


FIG. 3

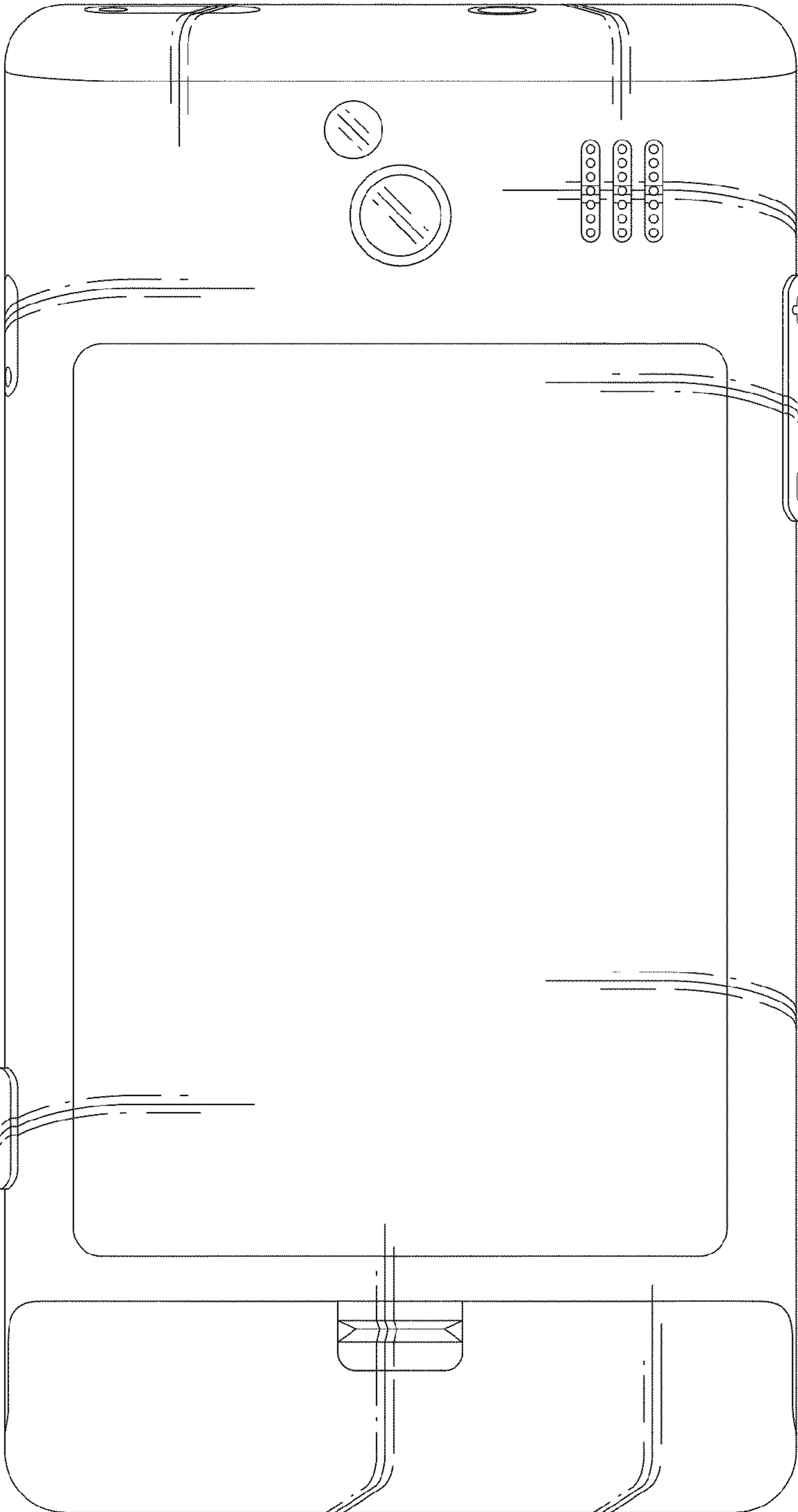


FIG. 4

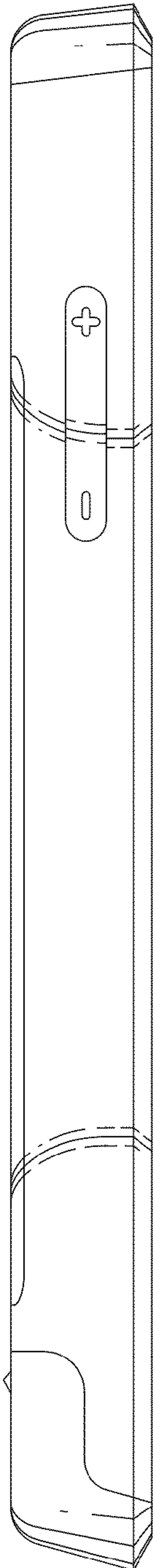


FIG. 5

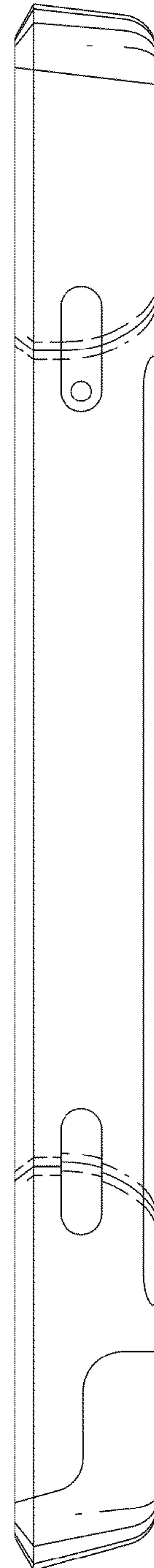


FIG. 6

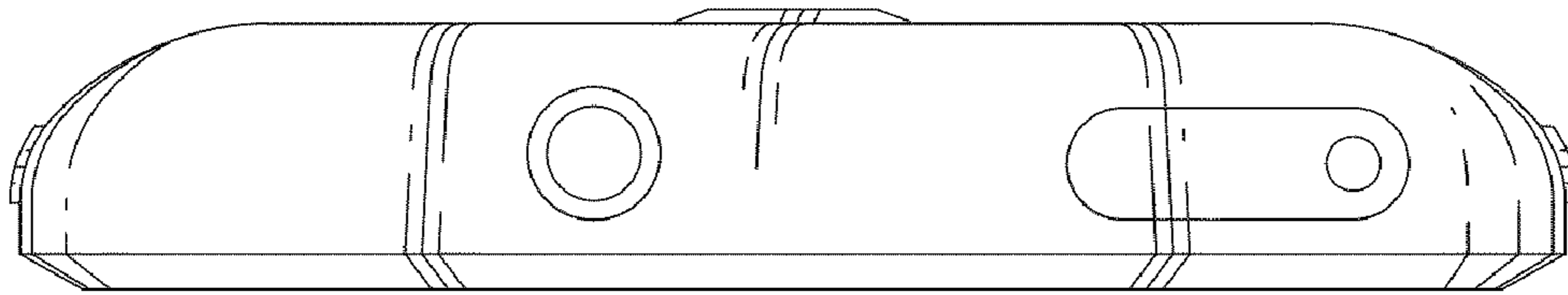


FIG. 7

