

US00D646252S

(12) **United States Design Patent**
Kim et al.

(10) **Patent No.:** **US D646,252 S**

(45) **Date of Patent:** **** Oct. 4, 2011**

(54) **MOBILE PHONE**

(75) Inventors: **Bo-Ra Kim**, Seoul (KR); **Yun-Jung Lee**, Hwaseong-si (KR); **Chang-Hwan Hwang**, Seongnam-si (KR)

(73) Assignee: **Samsung Electronics Co., Ltd.**, Suwon-Si (KR)

(**) Term: **14 Years**

(21) Appl. No.: **29/381,712**

(22) Filed: **Dec. 22, 2010**

(30) **Foreign Application Priority Data**

Oct. 11, 2010 (KR) 30-2010-0044056

(51) **LOC (9) Cl.** **14-03**

(52) **U.S. Cl.** **D14/138 AD; D14/138 G**

(58) **Field of Classification Search** D14/138 R,
D14/138 AD, 138 AC, 138 C, 138 G, 191,
D14/203.1–203.8, 496, 138 AA, 138 AB,
D14/137, 147, 218, 341–347, 247–248; D10/65,
D10/78, 104; D13/168; D18/7; 455/566,
455/575.1, 575.3, 575.4

See application file for complete search history.

(56) **References Cited**

U.S. PATENT DOCUMENTS

D548,713	S	*	8/2007	Lee et al.	D14/138 AD
D558,720	S	*	1/2008	Lee et al.	D14/138 AD
D581,894	S	*	12/2008	Kim	D14/138 G
D601,539	S	*	10/2009	Hong	D14/138 G
D601,993	S	*	10/2009	Yun et al.	D14/138 AD
D603,356	S	*	11/2009	Sterzick et al.	D14/138 G
D607,865	S	*	1/2010	Lee et al.	D14/138 AD
D608,331	S	*	1/2010	Kim et al.	D14/138 AC
D611,924	S	*	3/2010	Ou et al.	D14/138 AD
D615,519	S	*	5/2010	Kim et al.	D14/138 G
D616,859	S	*	6/2010	Ho et al.	D14/138 G

D618,200	S	*	6/2010	Kim et al.	D14/138 AD
D619,989	S	*	7/2010	Huang	D14/138 G
D621,378	S	*	8/2010	Kim et al.	D14/138 AD
D628,183	S	*	11/2010	Kim et al.	D14/138 G
D629,377	S	*	12/2010	Ivaskevicius	D14/138 G
D629,776	S	*	12/2010	Lee et al.	D14/138 AD
D631,464	S	*	1/2011	Kim	D14/138 G
D631,864	S	*	2/2011	Jung	D14/138 AB
D633,070	S	*	2/2011	Tzeng	D14/138 G
D636,368	S	*	4/2011	Kim	D14/138 AD
2006/0205451	A1	*	9/2006	Pan	455/575.4
2009/0061963	A1	*	3/2009	Miyaoka	455/575.4
2010/0099464	A1	*	4/2010	Kim	455/566
2010/0251152	A1	*	9/2010	Cho et al.	715/765
2011/0117969	A1	*	5/2011	Hanson	455/566

OTHER PUBLICATIONS

Acer M900, announced Feb. 2009, [online], [retrieved on Oct. 28, 2009]. Retrieved from Internet ,<URL: <http://www.gsmarena.com>>.*

(Continued)

Primary Examiner — Bridget L Eland

(74) *Attorney, Agent, or Firm* — Staas & Halsey LLP

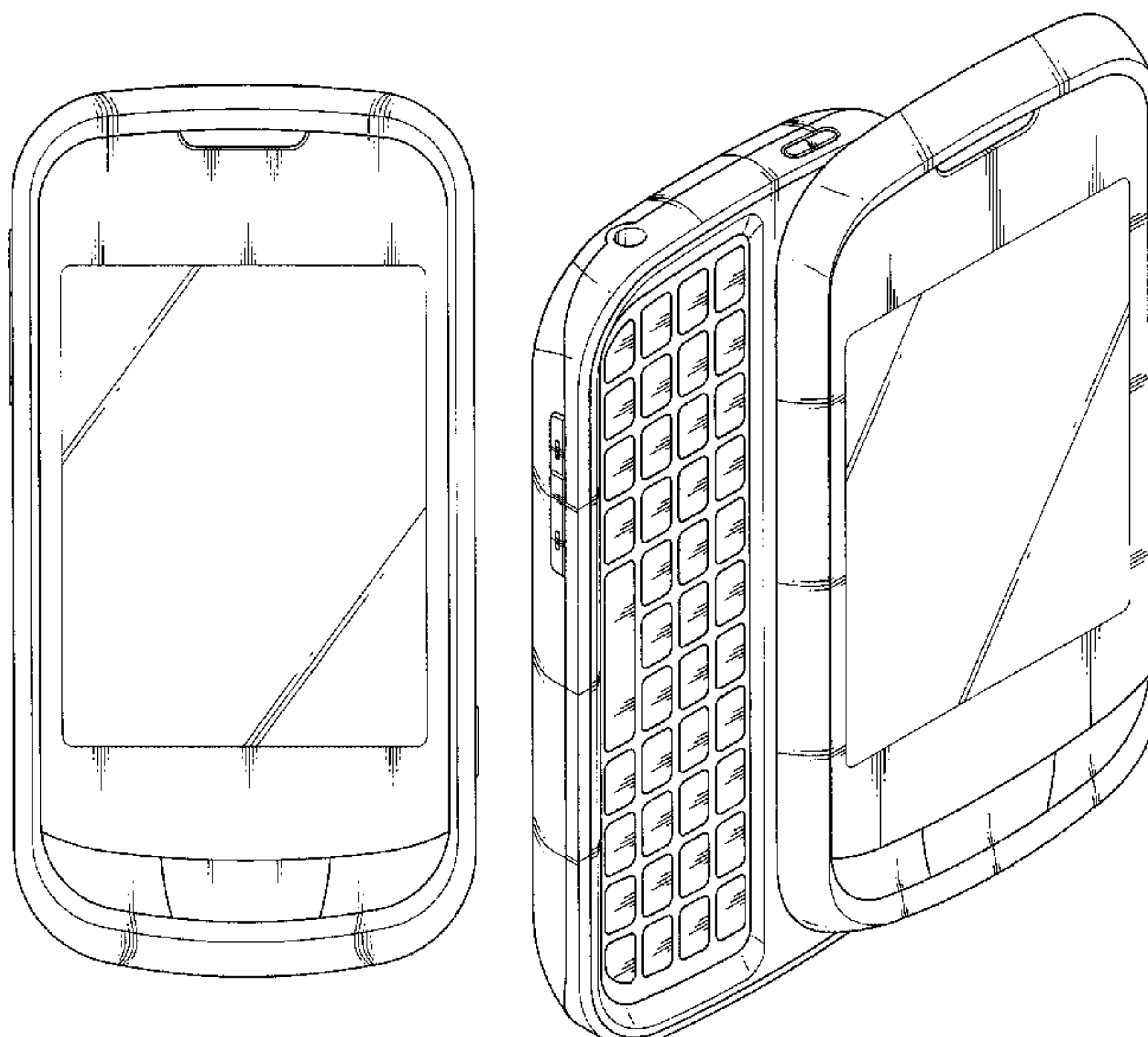
(57) **CLAIM**

The ornamental design for a mobile phone, as shown and described.

DESCRIPTION

FIG. 1 is a front perspective view of a mobile phone; FIG. 2 is a front view of the mobile phone of FIG. 1; FIG. 3 is a rear view of the mobile phone of FIG. 1; FIG. 4 is a left-side view of the mobile phone of FIG. 1; FIG. 5 is a right-side view of the mobile phone of FIG. 1; FIG. 6 is a top plan view of the mobile phone of FIG. 1; FIG. 7 is a bottom plan view of the mobile phone of FIG. 1; and, FIG. 8 is an open front perspective view of the mobile phone of FIG. 1.

1 Claim, 8 Drawing Sheets



OTHER PUBLICATIONS

Alcatel OT-818, announced Feb. 2011, [online], [retrieved on Feb. 17, 2011]. Retrieved from Internet ,<URL: <http://www.gsmarena.com>>.*

i-mobile TV650 Touch, announced Jul. 2009, [online], [retrieved on Jul. 20, 2009]. Retrieved from Internet ,<URL: <http://www.gsmarena.com>>.*

Samsung Impression, announced Mar. 2009, [online], [retrieved on Apr. 16, 2009]. Retrieved from Internet ,<URL: <http://www.gsmarena.com>>.*

Samsung S3850 Corby II, announced Mar. 2011, [online], [retrieved on Mar. 14, 2011]. Retrieved from Internet ,<URL: <http://www.gsmarena.com>>.*

* cited by examiner

FIG. 1

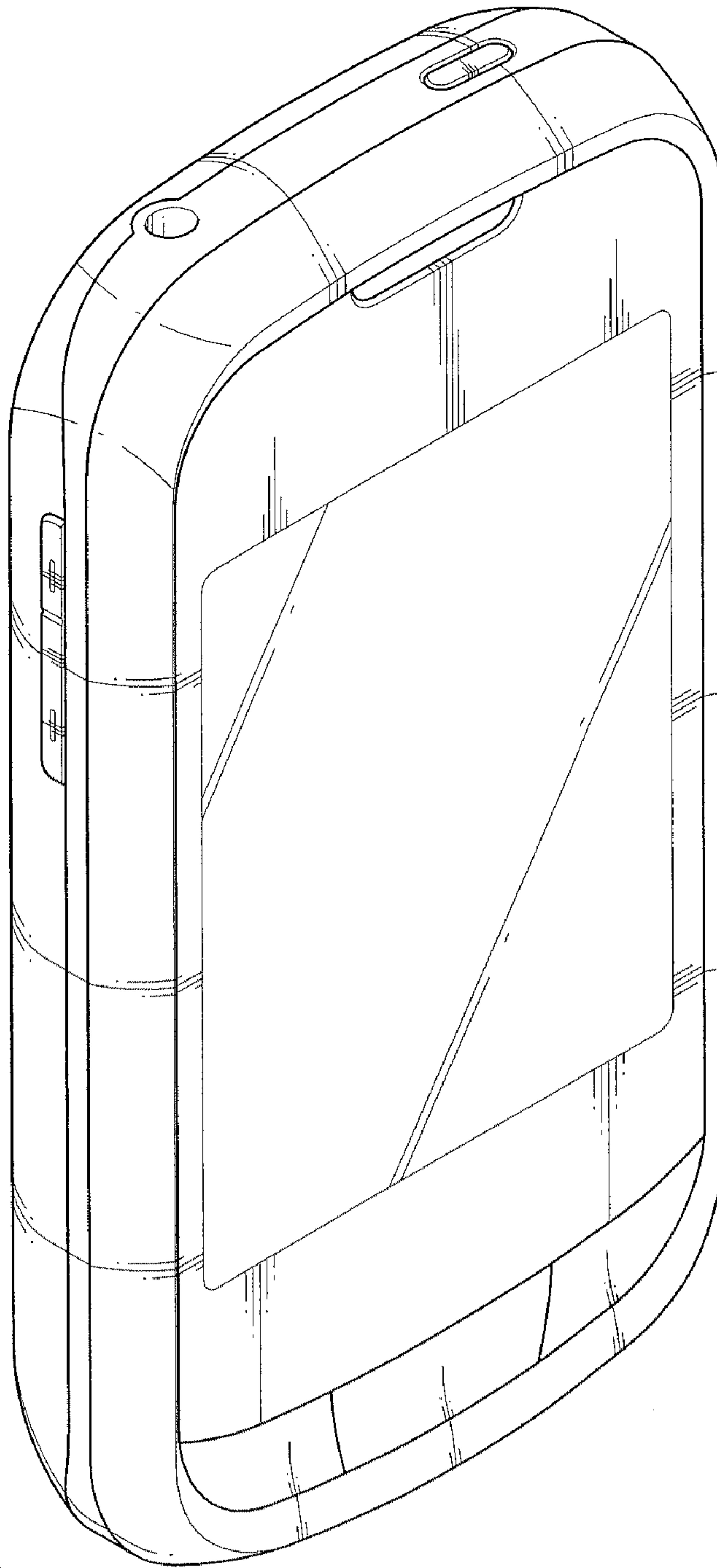


FIG. 2

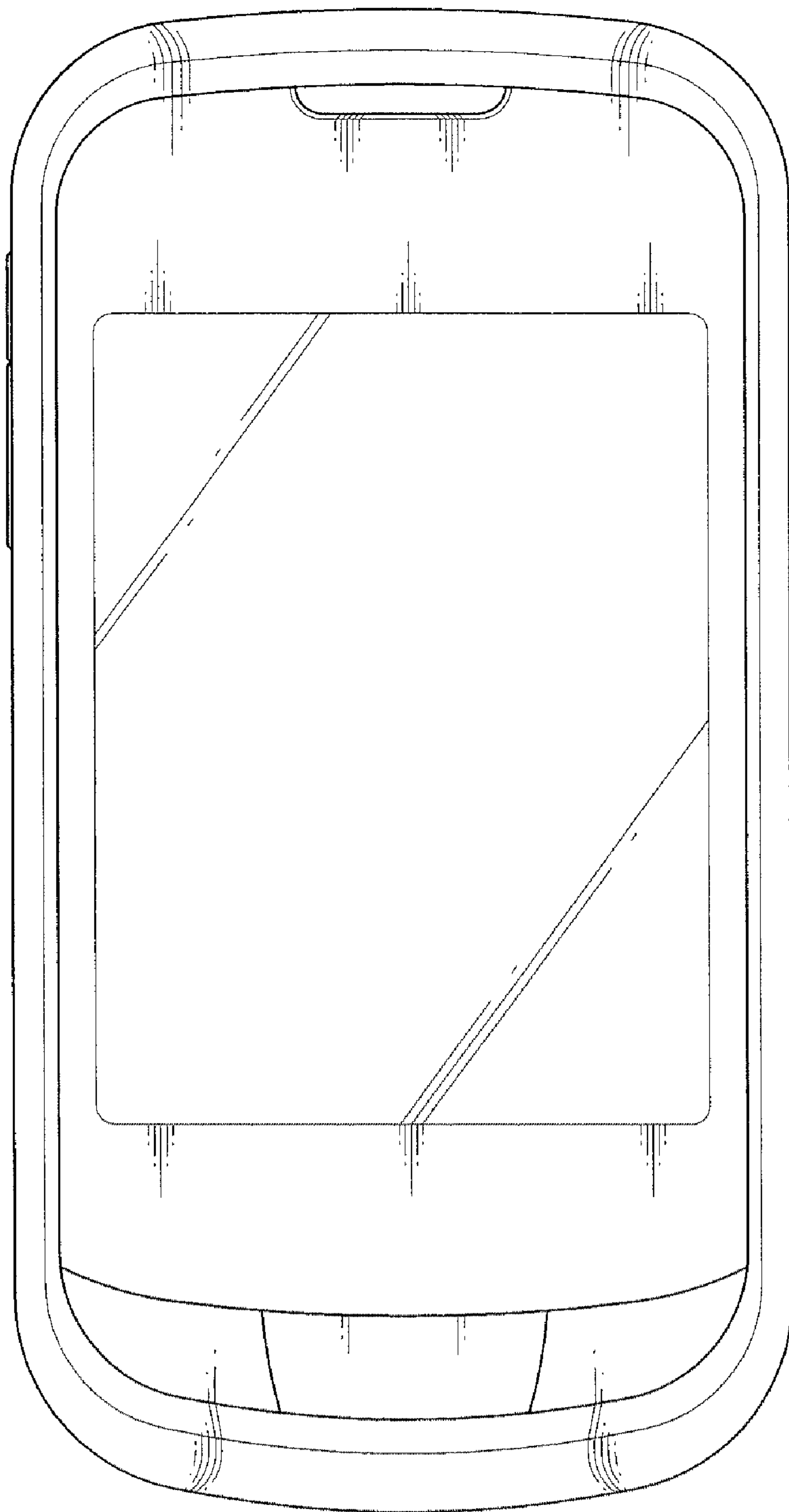


FIG. 3

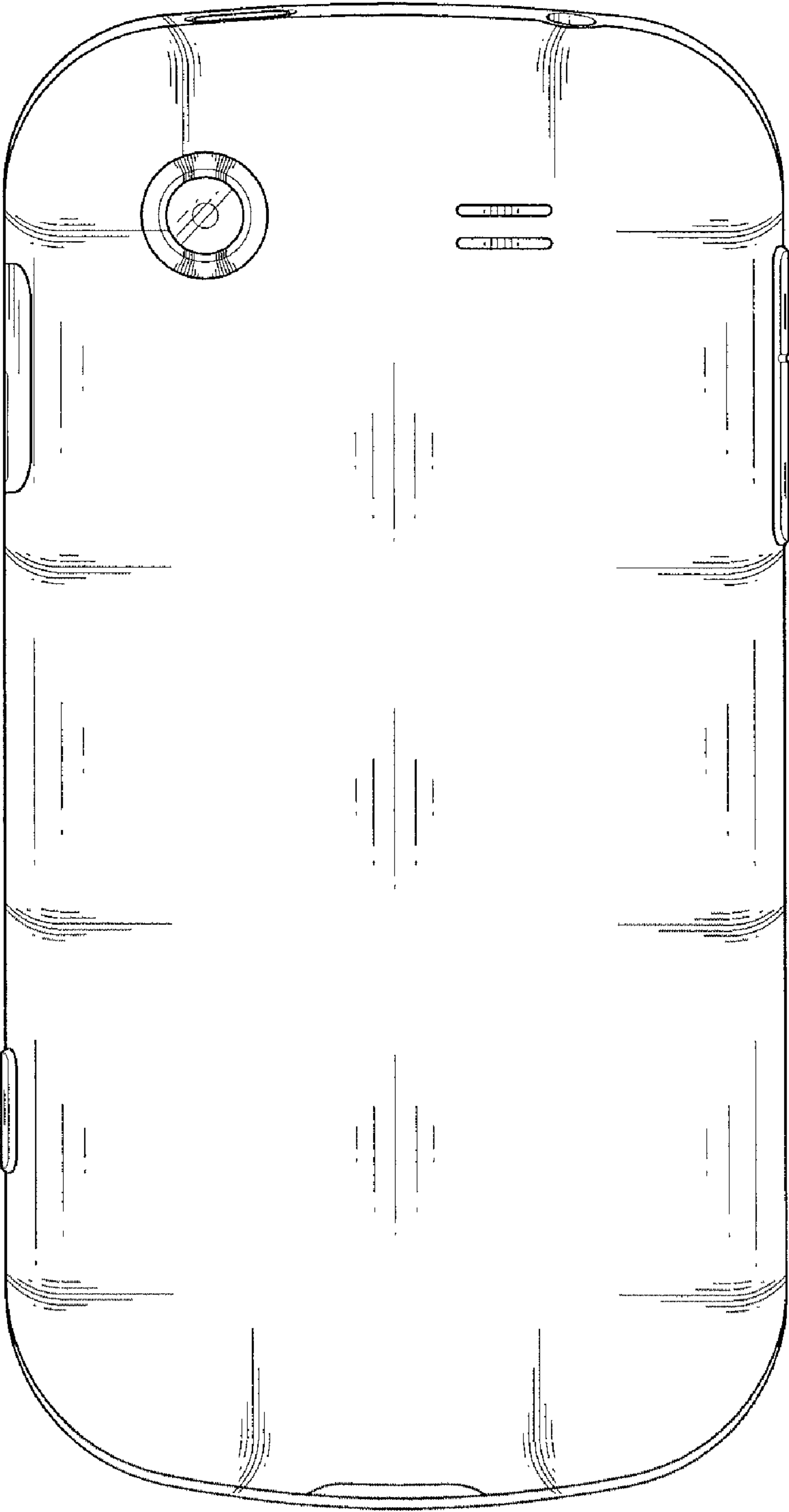


FIG. 4

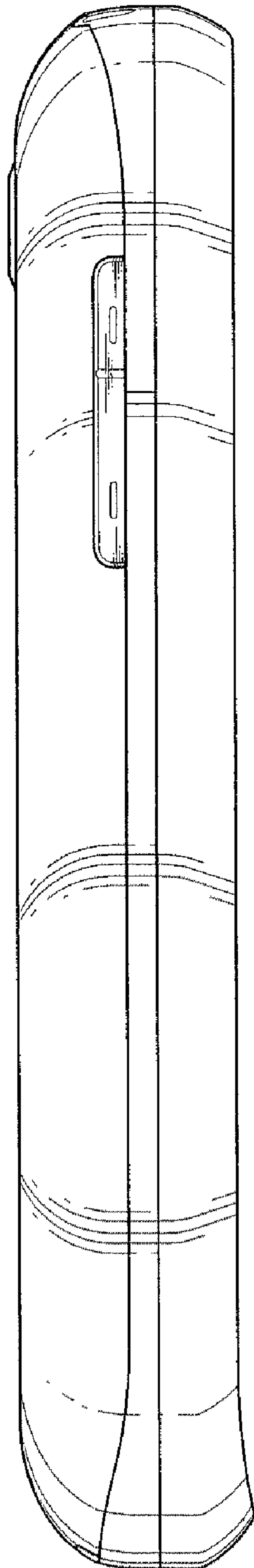


FIG. 5

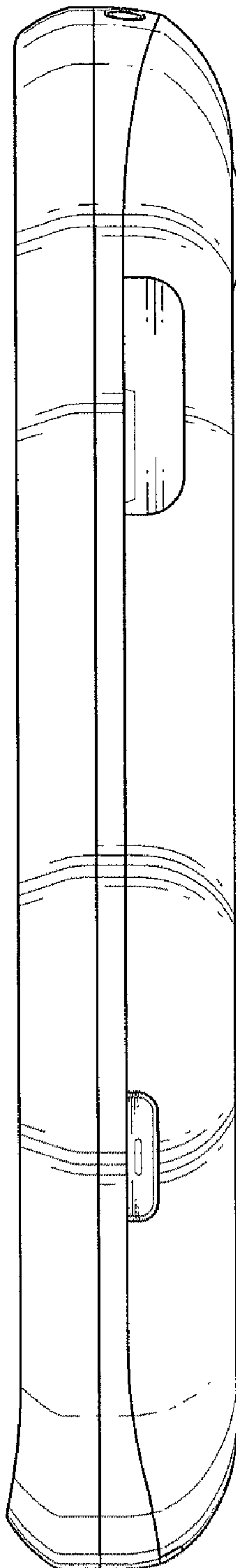


FIG. 6

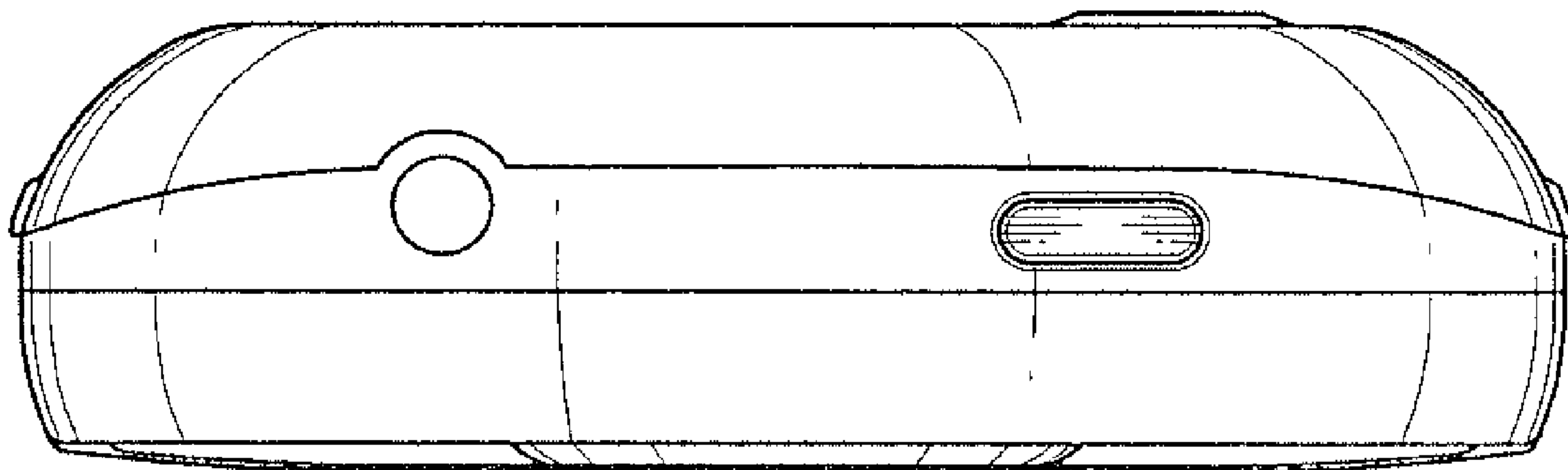


FIG. 7

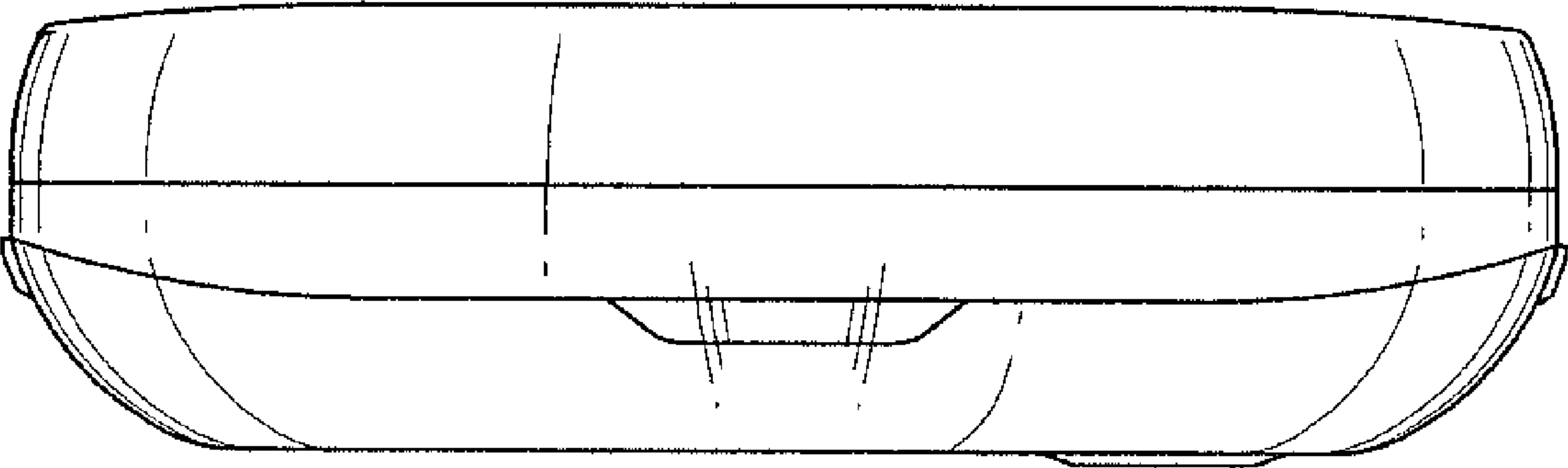


FIG. 8

