



US00D646247S

(12) **United States Design Patent**
Lee et al.

(10) **Patent No.:** **US D646,247 S**
(45) **Date of Patent:** **** Oct. 4, 2011**

(54) **MOBILE PHONE**

(75) Inventors: **Seung Don Lee**, Seoul (KR); **Woon Lee Park**, Incheon (KR); **Hyoung Won Kim**, Seoul (KR)

(73) Assignee: **LG Electronics Inc.**, Seoul (KR)

(**) Term: **14 Years**

(21) Appl. No.: **29/380,883**

(22) Filed: **Dec. 13, 2010**

(30) **Foreign Application Priority Data**

Jun. 14, 2010 (KR) 30-2010-0026125

(51) **LOC (9) Cl.** **14-03**

(52) **U.S. Cl.** **D14/138 AB**

(58) **Field of Classification Search** D14/138 AB,
D14/138 AA, 496, 341, 345, 346, 203.3,
D14/203.4, 203.7, 138 AD, 138 R, 147, 218,
D14/137; 455/575.1, 556.2, 575.3, 575.4;
D21/517; 379/433.01, 433.04, 433.11, 433.12,
379/433.13; D13/168
See application file for complete search history.

(56) **References Cited**

U.S. PATENT DOCUMENTS

D519,970	S	*	5/2006	Kang et al.	D14/138 AB
D525,230	S	*	7/2006	Kim et al.	D14/138 AB
D552,056	S	*	10/2007	Lee et al.	D14/138 AB
D557,670	S	*	12/2007	Park et al.	D14/138 AB
D563,365	S	*	3/2008	Kim	D14/138 AB
D584,268	S	*	1/2009	Kim	D14/138 AB
D585,415	S	*	1/2009	Lim et al.	D14/138 AB
D586,324	S	*	2/2009	Lee et al.	D14/138 AB
D593,523	S	*	6/2009	Neumann et al.	D14/138 AB
D593,529	S	*	6/2009	Choi et al.	D14/138 AB
D596,609	S	*	7/2009	Kim et al.	D14/138 AB
D598,411	S	*	8/2009	Chun	D14/138 AB
D601,996	S	*	10/2009	Jeoung et al.	D14/138 AB
D603,825	S	*	11/2009	Jeoung et al.	D14/138 AB
D607,430	S	*	1/2010	Song et al.	D14/138 AB

D615,065	S	*	5/2010	Kim et al.	D14/138 AB
D626,106	S	*	10/2010	Okada et al.	D14/138 AB
D630,178	S	*	1/2011	Lee et al.	D14/138 AB
D634,724	S	*	3/2011	Wun et al.	D14/138 AB
D635,116	S	*	3/2011	Lee et al.	D14/138 AB
D635,539	S	*	4/2011	Suk et al.	D14/138 AB
2004/0127269	A1	*	7/2004	Nonaka	455/575.3
2007/0054636	A1	*	3/2007	Ahn et al.	455/128

OTHER PUBLICATIONS

Motorola Rambler telephone, announced Jul. 2010, [online], [site visited Mar. 25, 2011]. Available from Internet, <URL: <http://www.gsmarena.com>>.*

LG KG810 telephone, announced May 2006, [online], [site visited Mar. 25, 2011]. Available from Internet, <URL: <http://www.gsmarena.com>>.*

LG MG295 telephone, announced Jan. 2008, [online], [site visited Mar. 25, 2011]. Available from Internet, <URL: <http://www.gsmarena.com>>.*

LG U8550 telephone, announced Feb. 2006, [online], [site visited Mar. 25, 2011]. Available from Internet, <URL: <http://www.gsmarena.com>>.*

* cited by examiner

Primary Examiner — Jeffrey D Asch

(74) *Attorney, Agent, or Firm* — Birch, Stewart, Kolasch & Birch, LLP

(57) **CLAIM**

We claim the ornamental design for a mobile phone, as shown and described.

DESCRIPTION

FIG. 1 is a perspective view of a mobile phone showing our new design:

FIG. 2 is a front elevation view thereof;

FIG. 3 is a rear elevation view thereof;

FIG. 4 is a left-side elevation view thereof;

FIG. 5 is a right-side elevation view thereof;

FIG. 6 is a top plan view thereof; and,

FIG. 7 is a bottom plan view thereof.

1 Claim, 4 Drawing Sheets

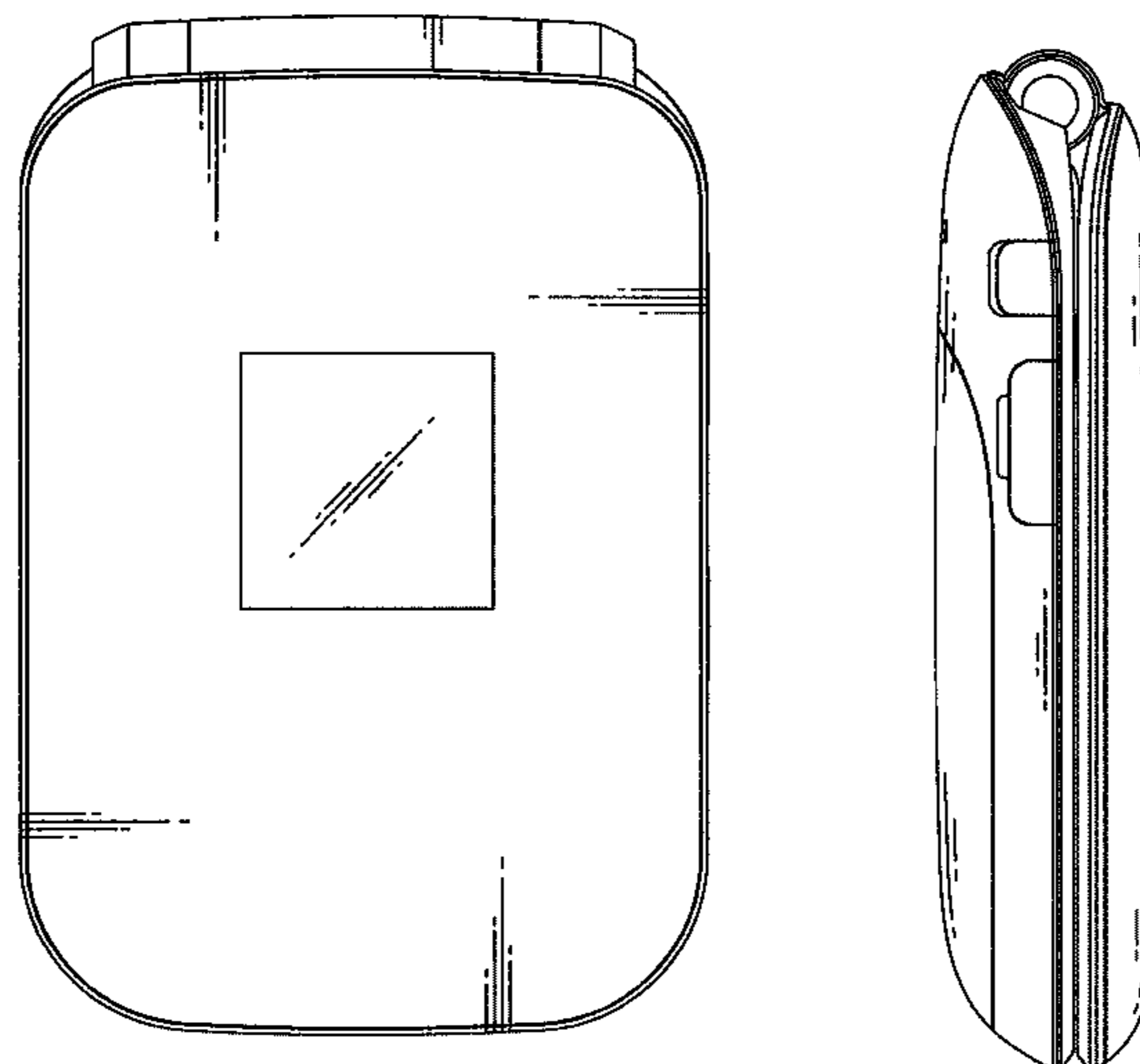


FIG. 1

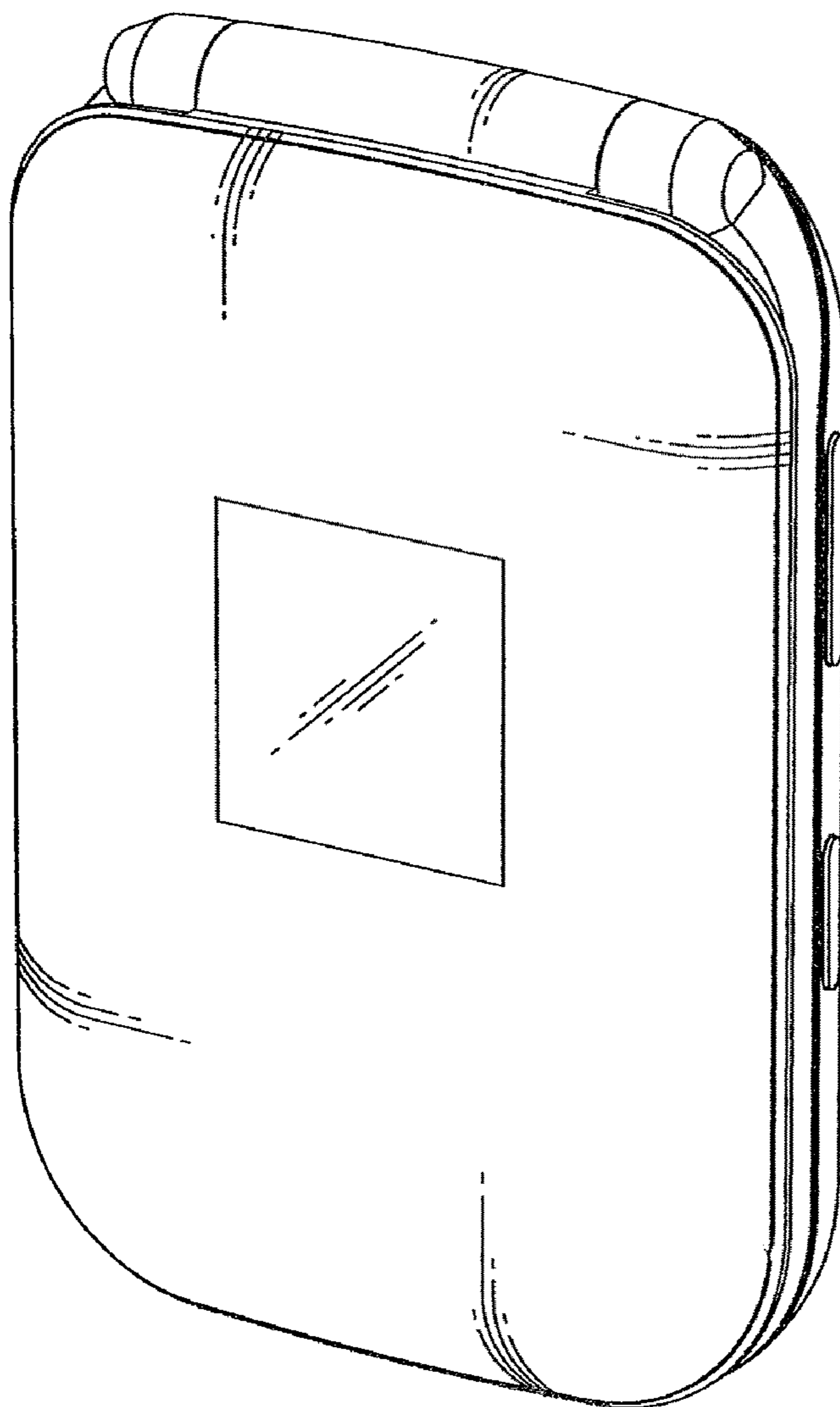


FIG. 2

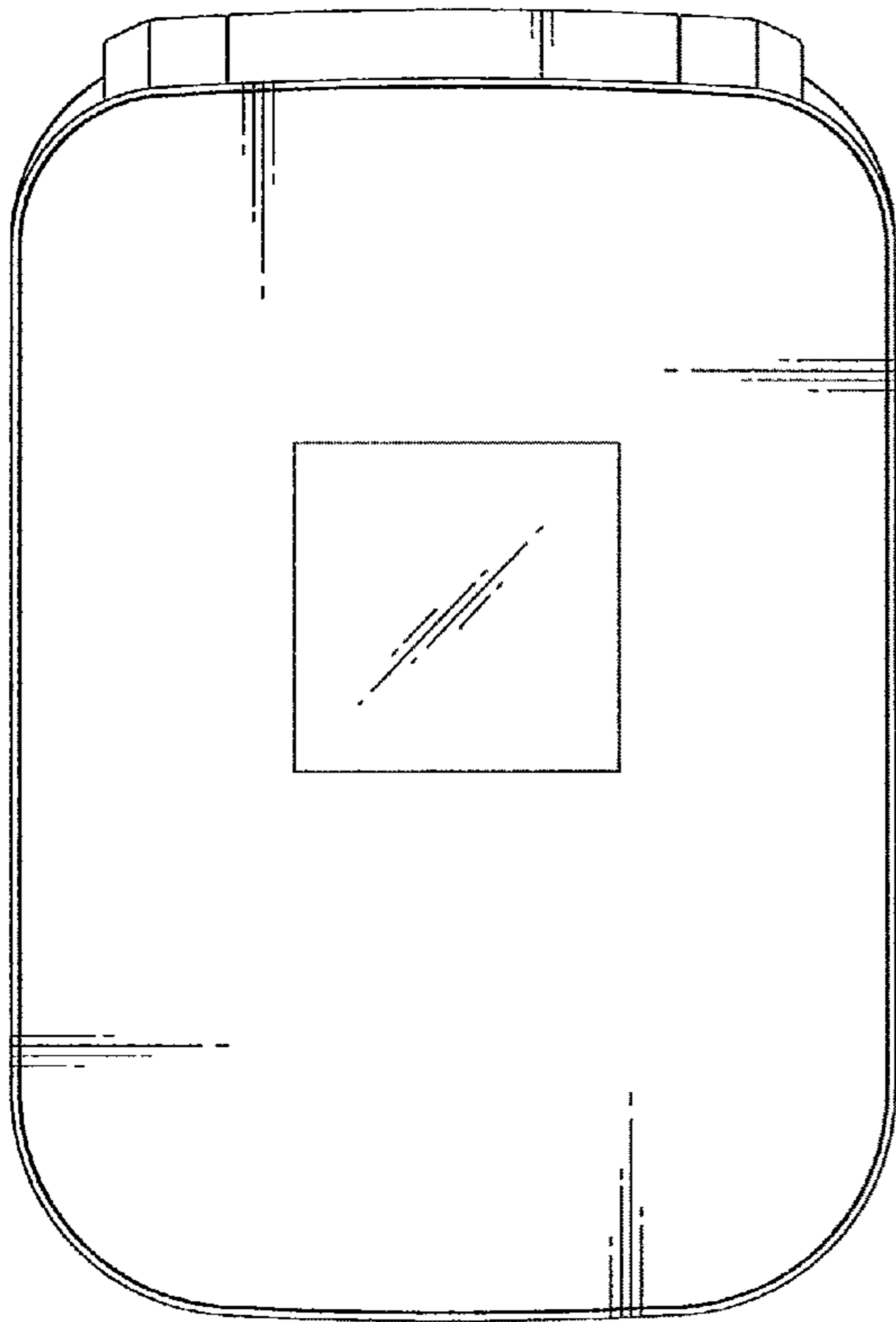


FIG. 3

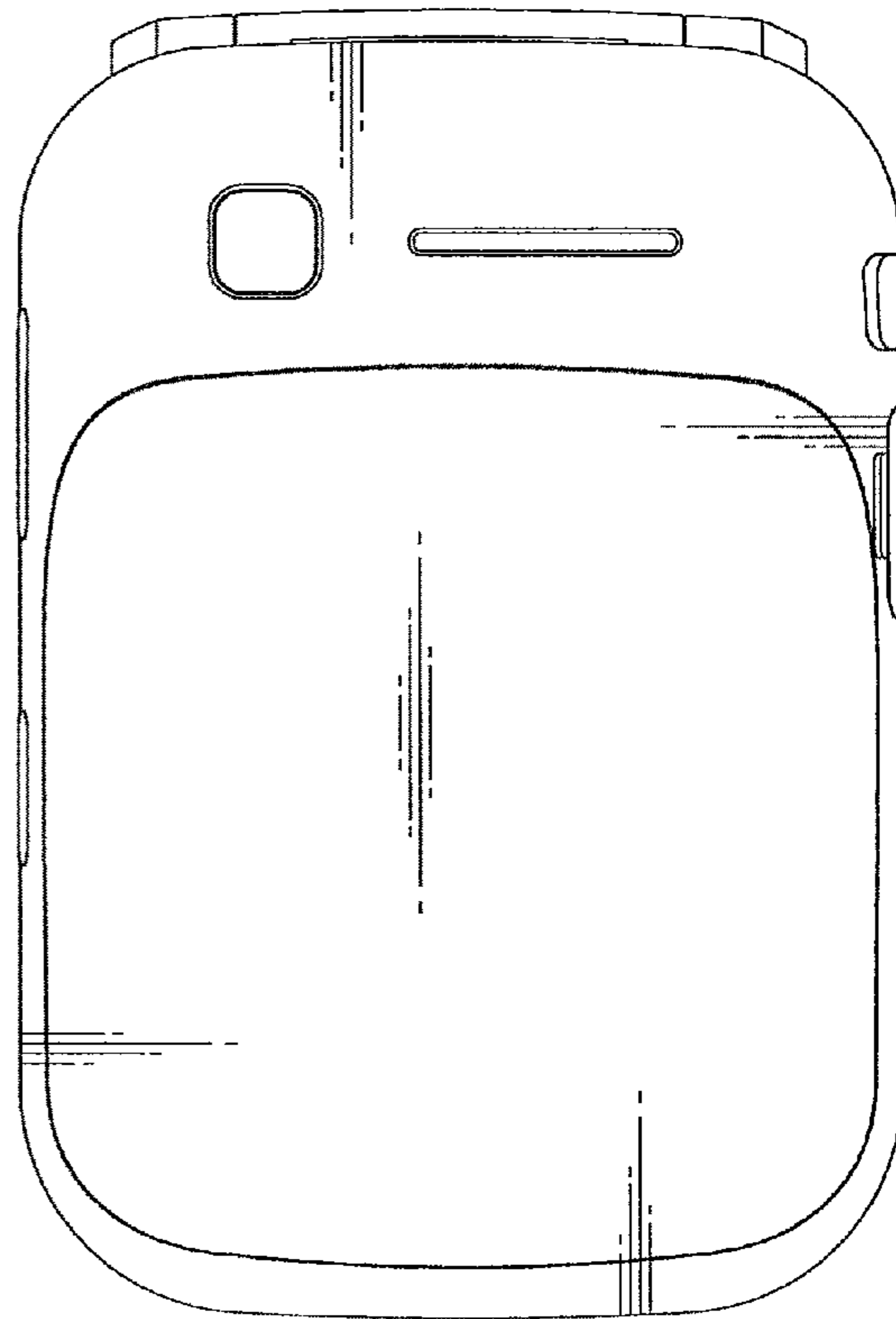


FIG. 4

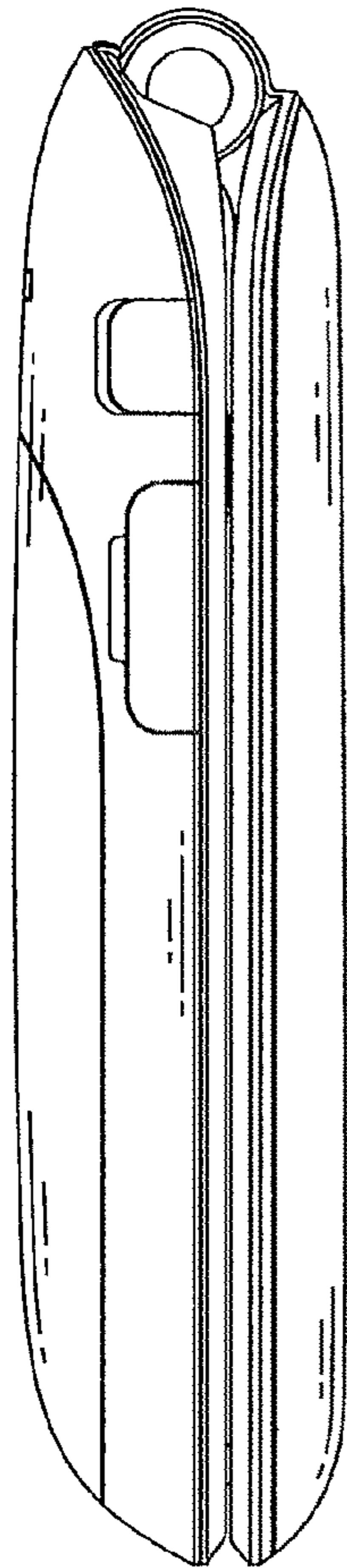


FIG. 5

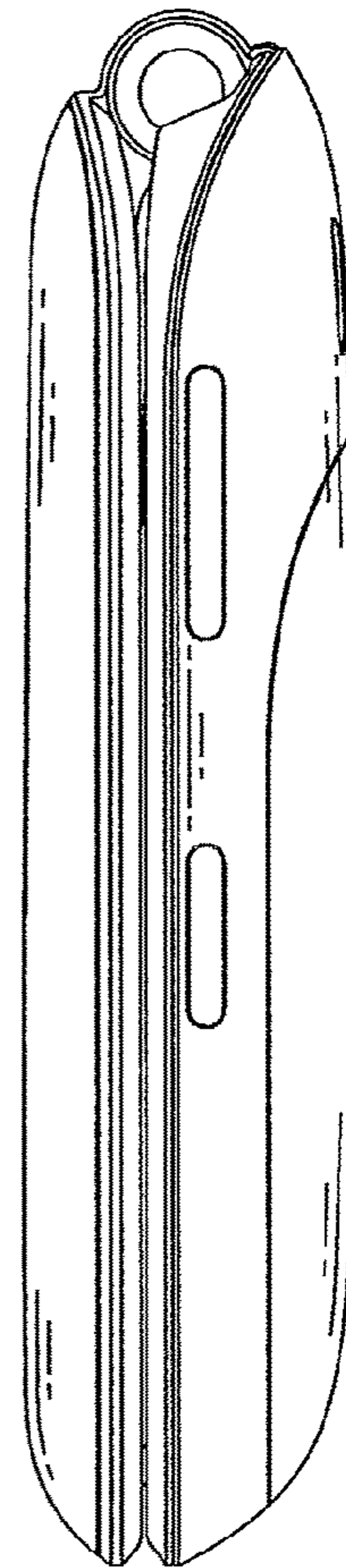


FIG. 6

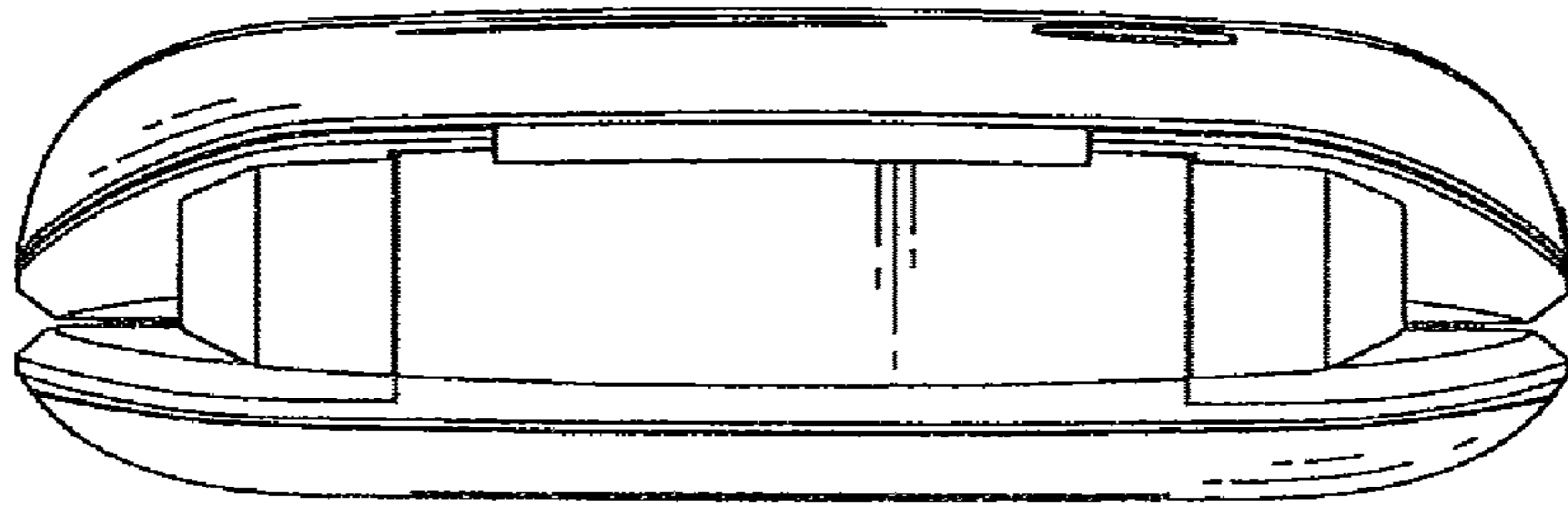


FIG. 7

