



US00D646246S

(12) **United States Design Patent**
Kim et al.

(10) **Patent No.:** **US D646,246 S**
(45) **Date of Patent:** **** Oct. 4, 2011**

(54) **TELEVISION RECEIVER**

(75) Inventors: **Taeuk Kim**, Seoul (KR); **Kangyoon Lee**, Gyeonggi-do (KR); **Seongahn Jeon**, Seoul (KR); **Yunui Chong**, Seoul (KR)

(73) Assignee: **LG Electronics Inc.**, Seoul (KR)

(**) Term: **14 Years**

(21) Appl. No.: **29/387,462**

(22) Filed: **Mar. 14, 2011**

(30) **Foreign Application Priority Data**

Sep. 20, 2010 (KR) 30-2010-0041798

(51) **LOC (9) Cl.** **14-03**

(52) **U.S. Cl.** **D14/126**

(58) **Field of Classification Search** D14/125-134, D14/239, 371, 136, 374-377, 440, 450, 448, D14/336, 342; 312/7.2; 348/836, 838, 180, 348/184, 325, 739; 341/12; 248/917-924, 248/465; 345/104, 133, 156, 168, 87, 173; 720/605, 669, 600, 655; 369/99, 197; 455/344, 455/347; D21/329, 515, 577, 622, 333, 433, D21/448, 452, 450, 331; D6/477, 479, 300; 273/148 B; 446/484, 175, 356; D10/15, D10/26

See application file for complete search history.

(56) **References Cited**

U.S. PATENT DOCUMENTS

D551,186 S *	9/2007	Yang et al.	D14/126
D563,336 S *	3/2008	Shih et al.	D14/126
D574,344 S *	8/2008	Ju et al.	D14/126
D603,816 S *	11/2009	Kim et al.	D14/126
D611,918 S *	3/2010	Shih et al.	D14/126
D614,595 S *	4/2010	Kubota	D14/126
D615,938 S *	5/2010	Song et al.	D14/126
D616,841 S *	6/2010	Kim et al.	D14/126
D619,112 S *	7/2010	Jung et al.	D14/126
D622,236 S *	8/2010	Lim et al.	D14/126
D624,512 S *	9/2010	Kim et al.	D14/126

* cited by examiner

Primary Examiner — Raphael Barkai

(74) *Attorney, Agent, or Firm* — Morgan, Lewis & Bockius LLP

(57) **CLAIM**

The ornamental design for a television receiver, as shown and described.

DESCRIPTION

FIG. 1 is a perspective view of a television receiver showing our new design;
FIG. 2 is a front view thereof;
FIG. 3 is a rear view thereof;
FIG. 4 is a left side view thereof;
FIG. 5 is a right side thereof;
FIG. 6 is a top plan view thereof;
FIG. 7 is a bottom plan view thereof; and,
FIG. 8 is an enlarged view taken from the intersection of lines a-a, b-b, c-c and d-d seen in FIG. 4, showing the front-lower part of the television receiver which is consisted of transparent material.

1 Claim, 8 Drawing Sheets

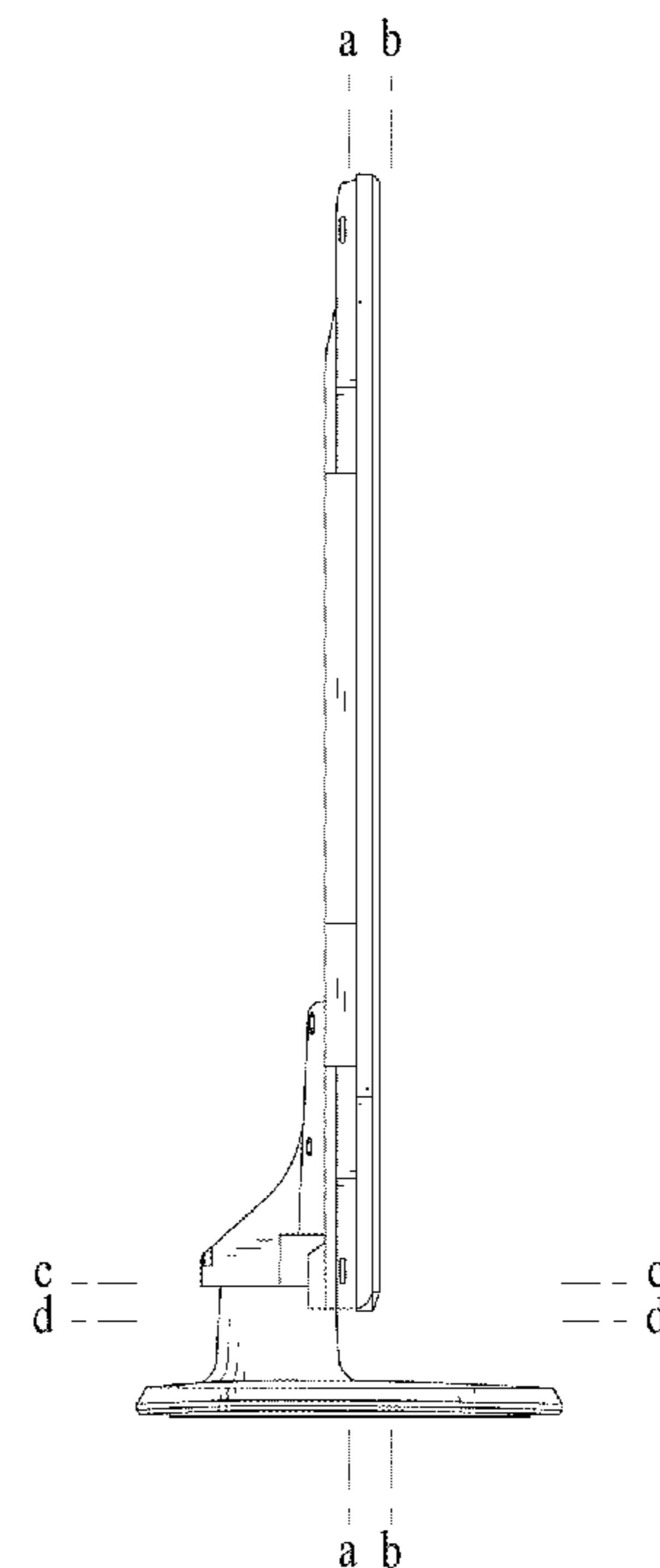
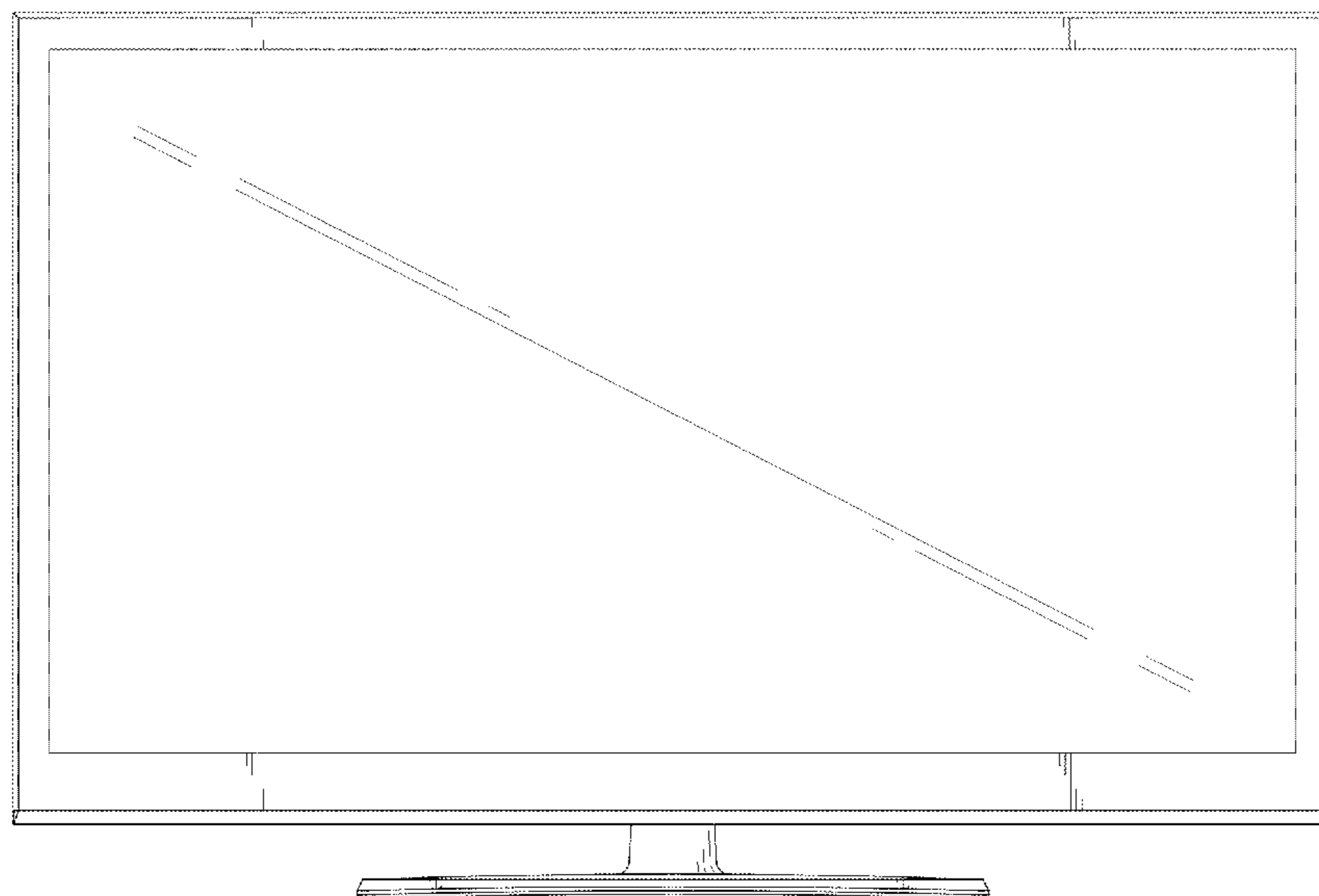


FIG. 1

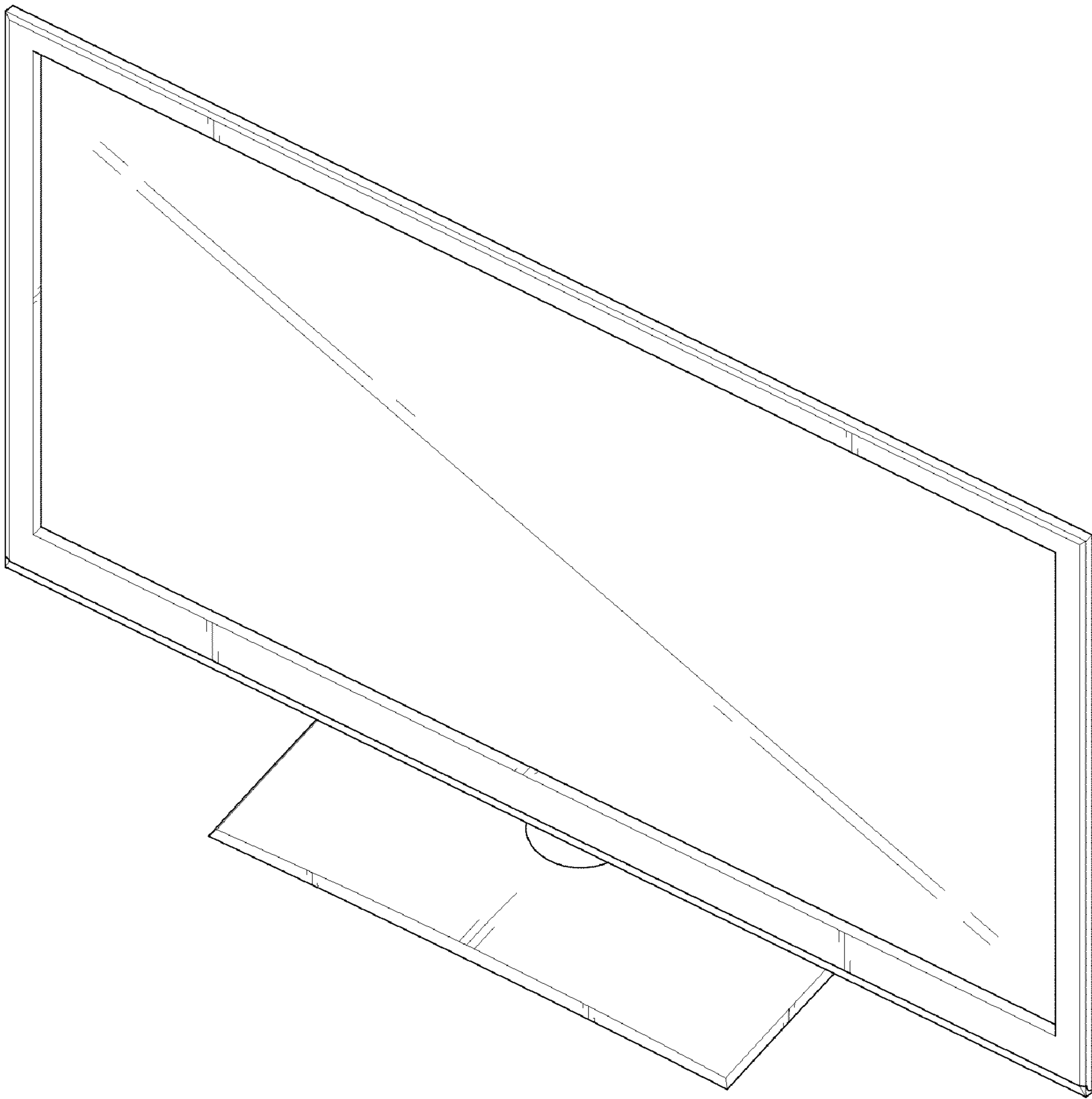


FIG. 2

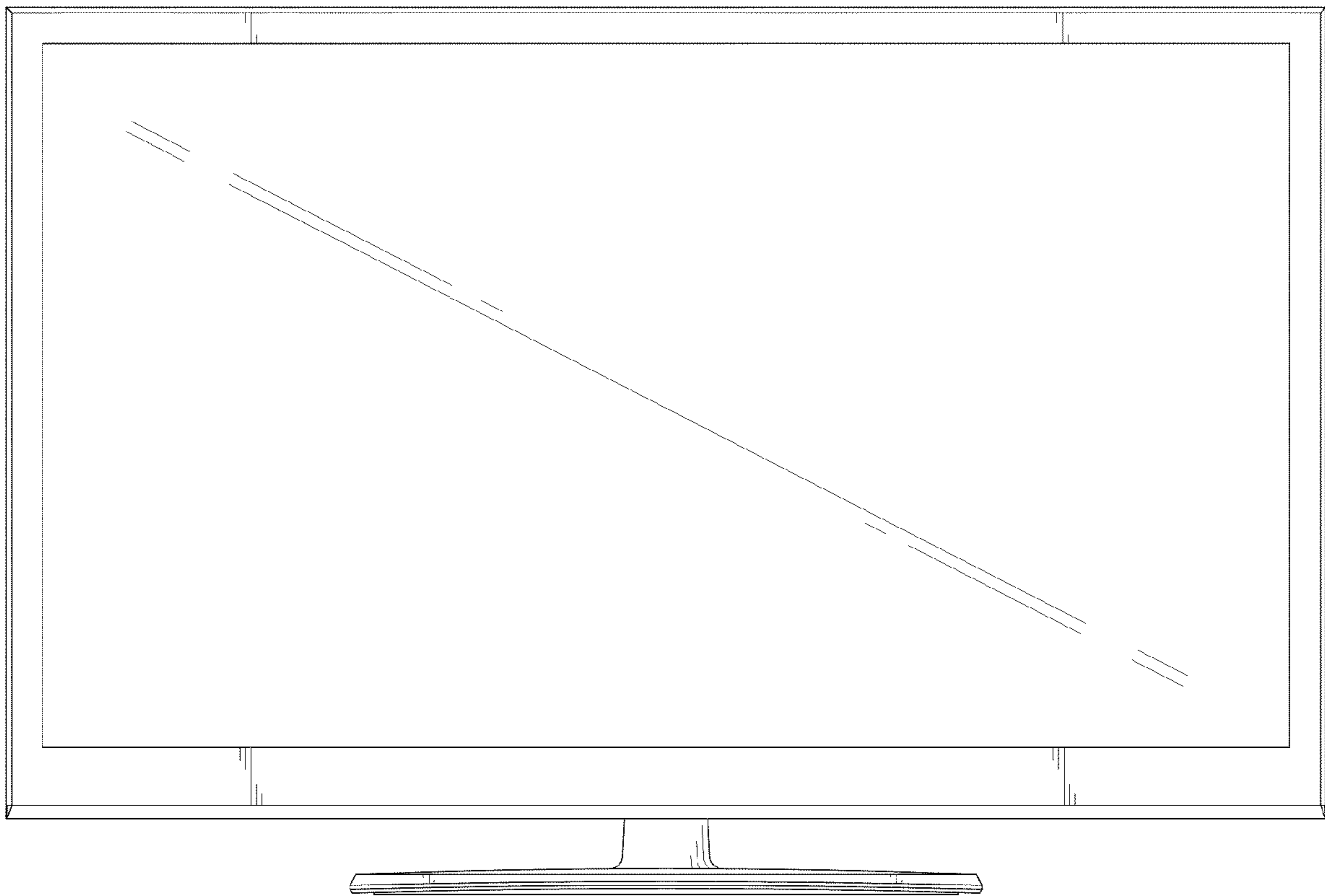


FIG. 3

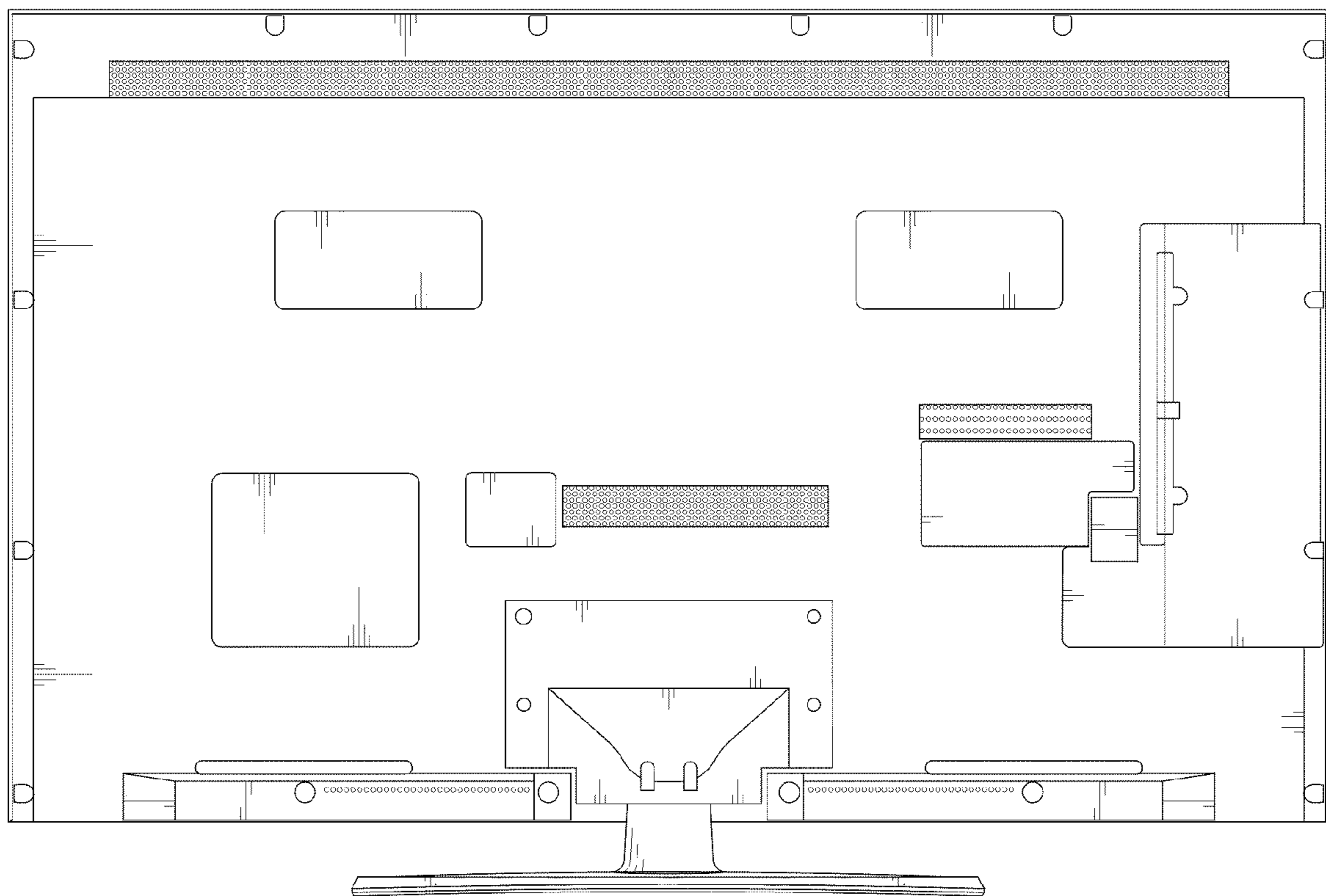


FIG. 4

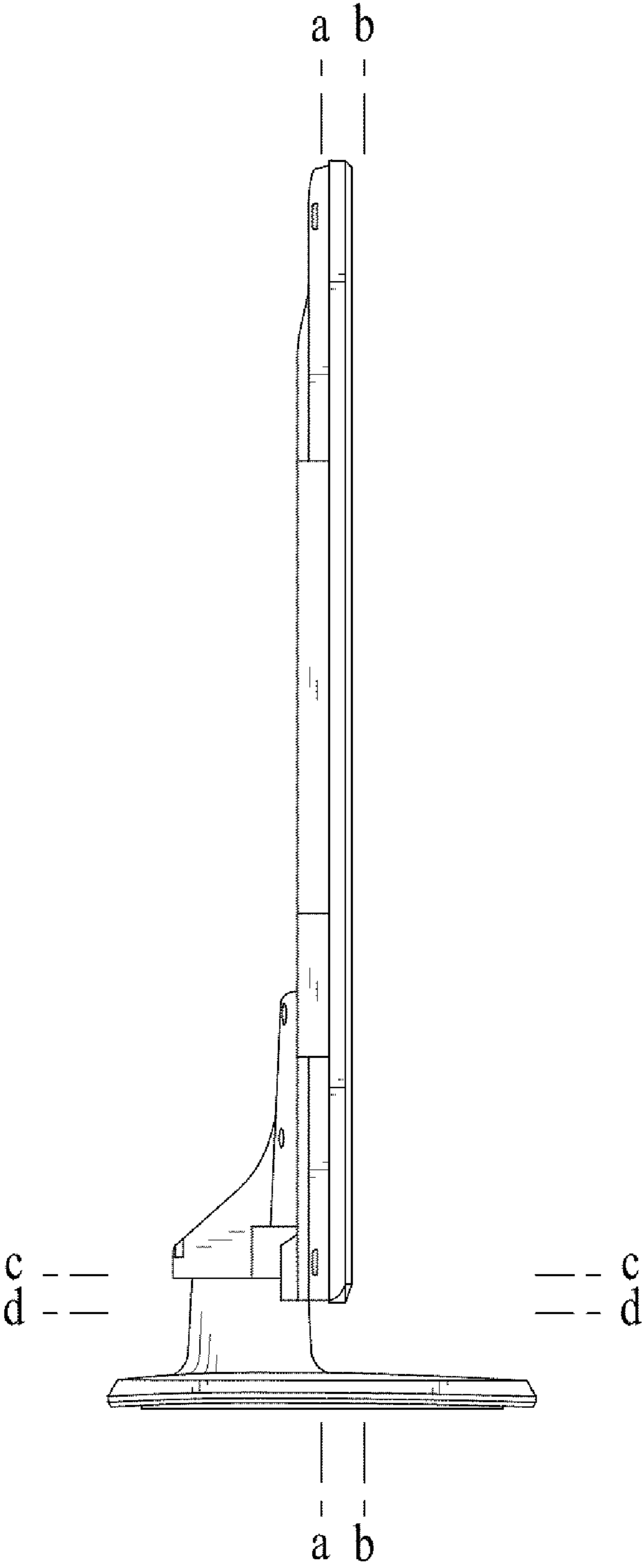


FIG. 5

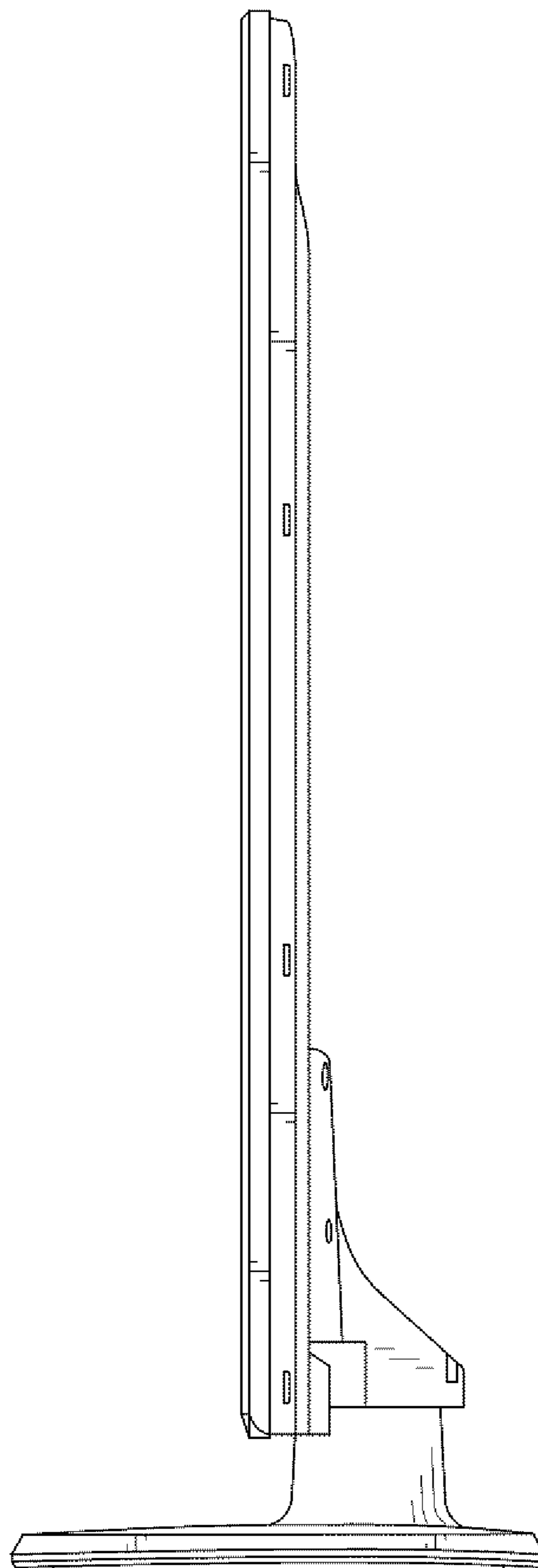


FIG. 6

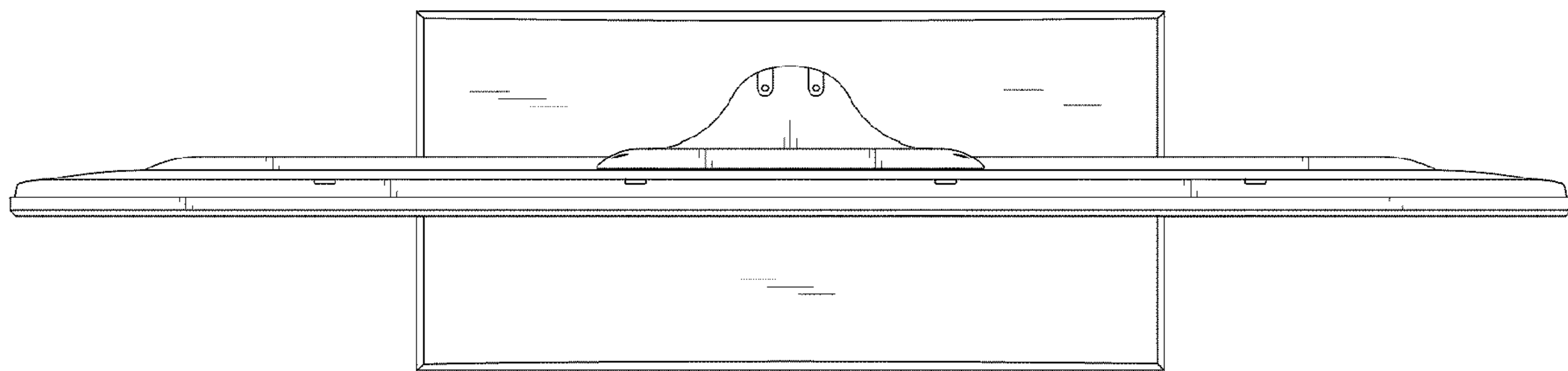


FIG. 7

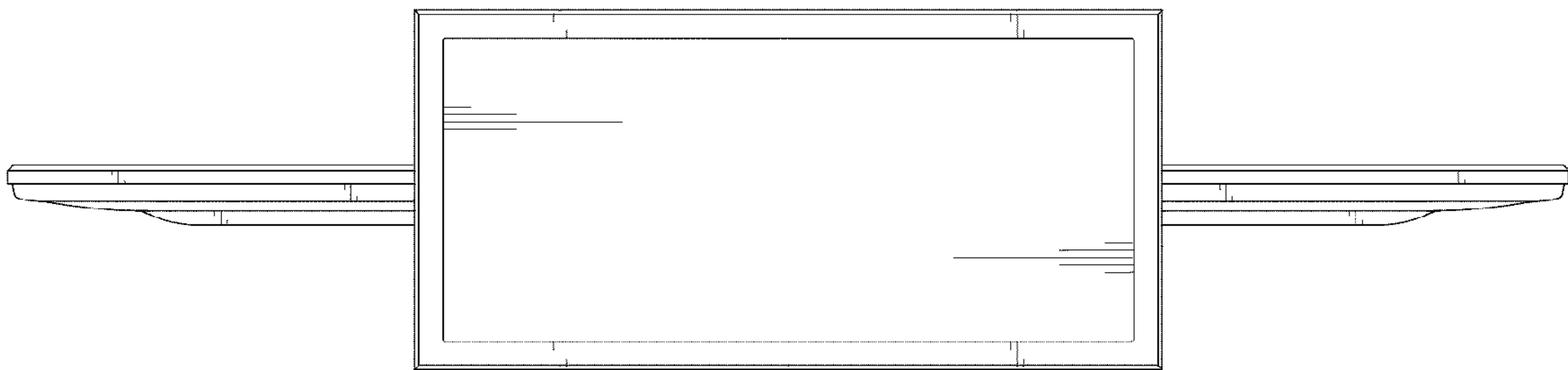


FIG. 8

