



US00D646245S

(12) **United States Design Patent**
Ryu et al.

(10) **Patent No.:** **US D646,245 S**
(45) **Date of Patent:** **** Oct. 4, 2011**

(54) **TELEVISION RECEIVER**

(75) Inventors: **Junghan Ryu**, Seoul (KR); **Byungju Lee**, Seoul (KR); **Sunjung Park**, Seoul (KR); **Hyunbyung Cha**, Seoul (KR)

(73) Assignee: **LG Electronics Inc.**, Seoul (KR)

(**) Term: **14 Years**

(21) Appl. No.: **29/386,227**

(22) Filed: **Feb. 25, 2011**

(30) **Foreign Application Priority Data**

Aug. 30, 2010 (KR) 30-2010-0037949

(51) **LOC (9) Cl.** **14-03**

(52) **U.S. Cl.** **D14/126**

(58) **Field of Classification Search** D14/125-134,
D14/239, 371, 136, 374-377, 440, 450, 448,
D14/336, 342; 312/7.2; 348/836, 838, 180,
348/184, 325, 739; 341/12; 248/917-924,
248/465; 345/104, 133, 156, 168, 87, 173;
720/605, 669, 600, 655; 369/99, 197; 455/344,
455/347; D21/329, 515, 577, 622, 333, 433,
D21/448, 452, 450, 331; D6/477, 479, 300;
273/148 B; 446/484, 175, 356; D10/15,
D10/26

See application file for complete search history.

(56) **References Cited**

U.S. PATENT DOCUMENTS

D560,625	S	*	1/2008	Niitsu	D14/126
D564,990	S	*	3/2008	Ueno	D14/126
D584,706	S	*	1/2009	Yoshimura et al.	D14/126
D605,149	S	*	12/2009	Kim et al.	D14/126
D615,509	S	*	5/2010	Song et al.	D14/126
D618,189	S	*	6/2010	Honda	D14/126
D618,640	S	*	6/2010	Won et al.	D14/126
D620,901	S	*	8/2010	Won et al.	D14/126
D620,902	S	*	8/2010	Kim et al.	D14/126

* cited by examiner

Primary Examiner — Raphael Barkai

(74) *Attorney, Agent, or Firm* — Morgan, Lewis & Bockius LLP

(57) **CLAIM**

The ornamental design for a television receiver, as shown and described.

DESCRIPTION

FIG. 1 is a perspective view of a television receiver showing our new design;
FIG. 2 is a front view thereof;
FIG. 3 is a rear view thereof;
FIG. 4 is a left side view thereof;
FIG. 5 is a right side view thereof;
FIG. 6 is a top plan view thereof;
FIG. 7 is a bottom plan view thereof; and,
FIG. 8 is a front view thereof showing the part of this television receiver which is consisted of transparent material by hatching.
The broken lines in FIGS. 3, 4 and 5 are for illustrative purposes only, and forms no part of the claimed design.

1 Claim, 8 Drawing Sheets

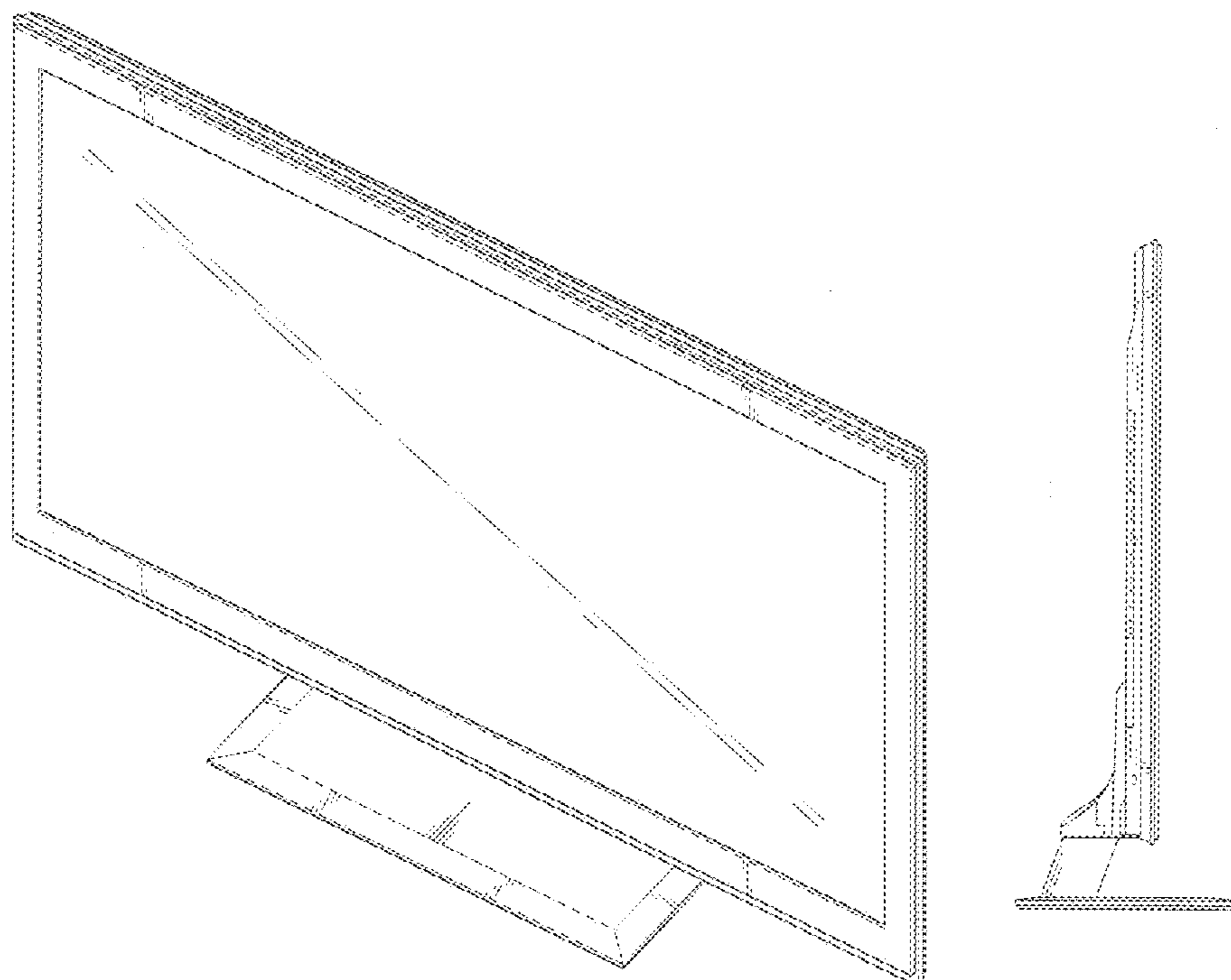


FIG. 1

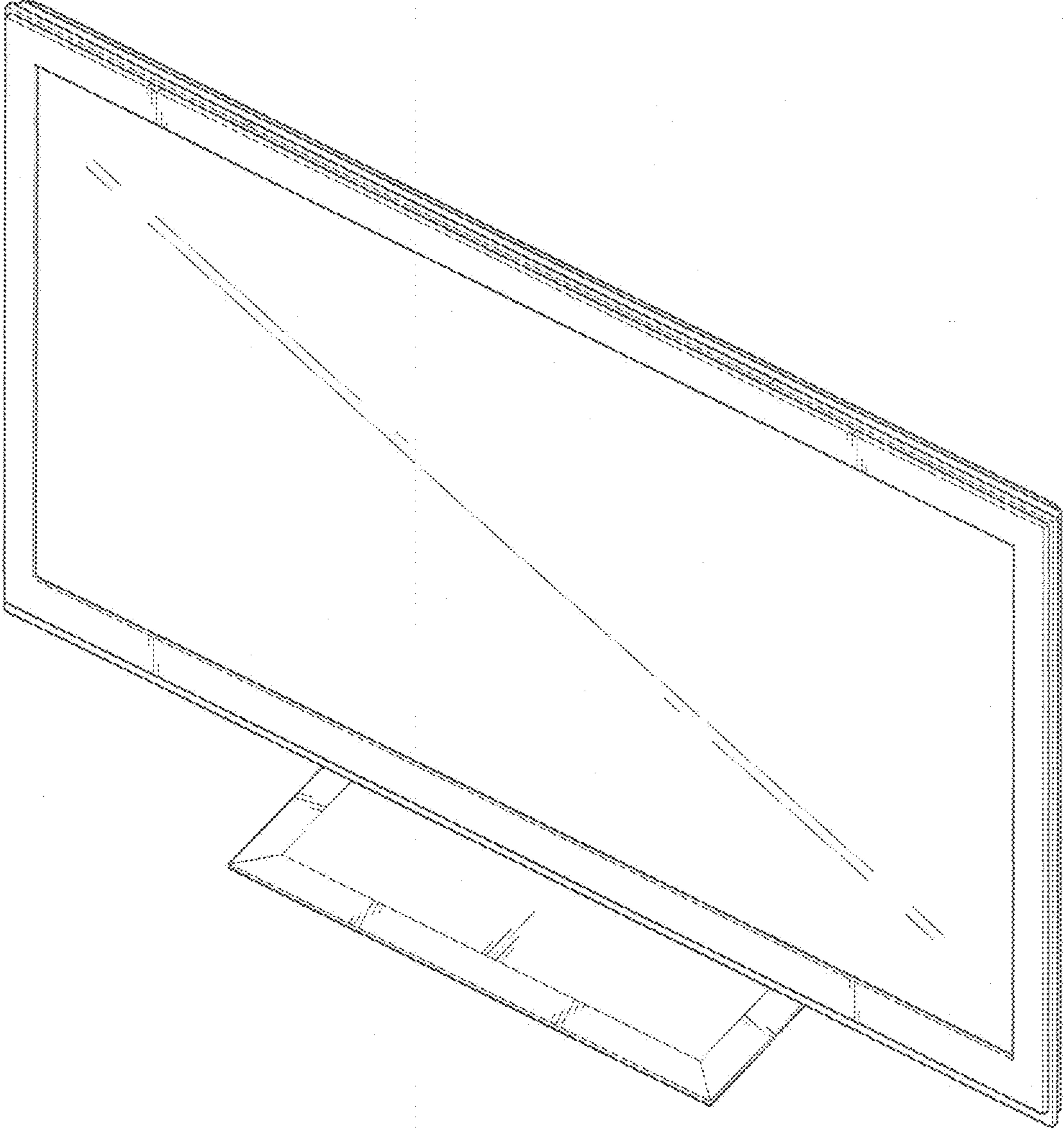


FIG. 2

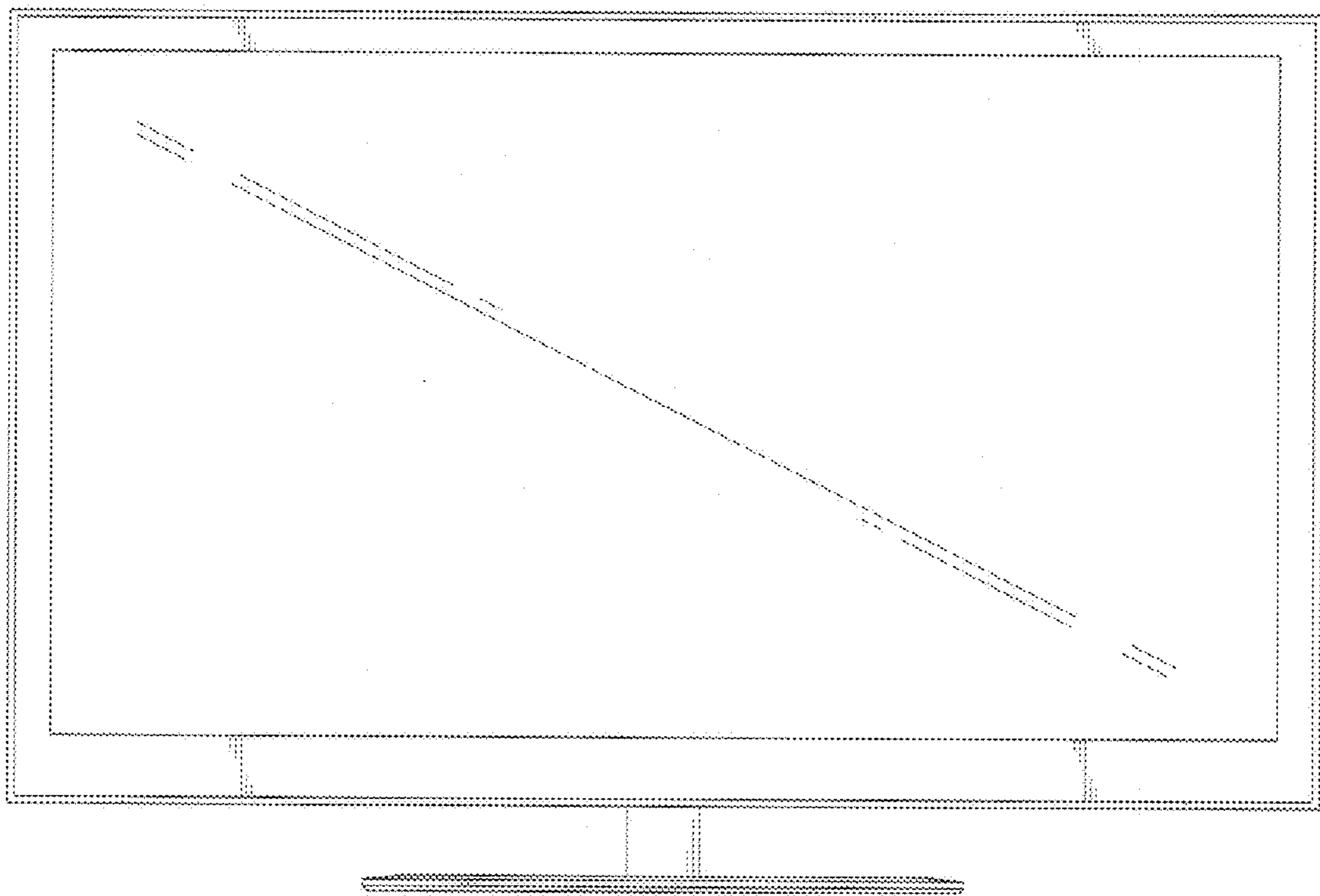


FIG. 3

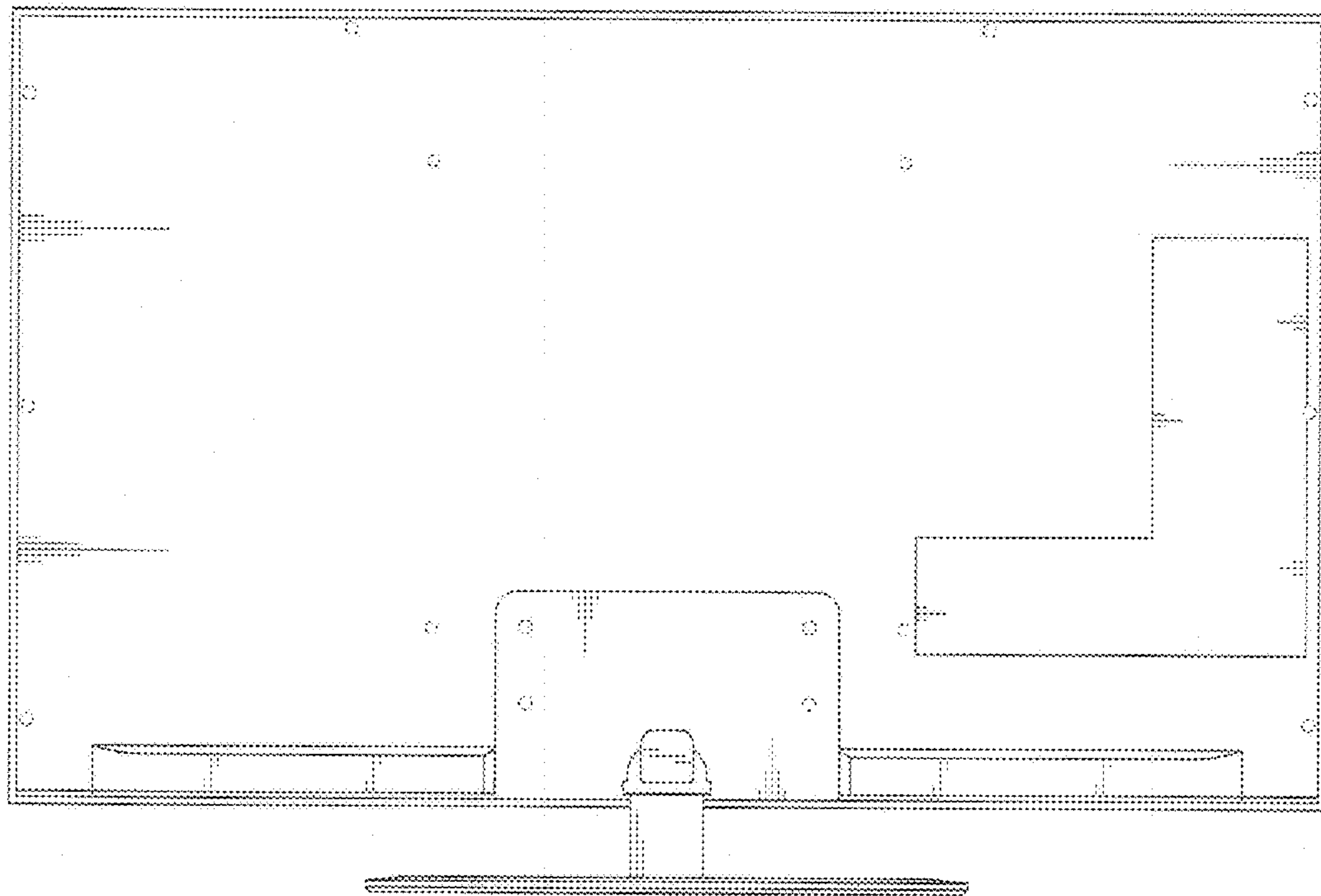


FIG. 4

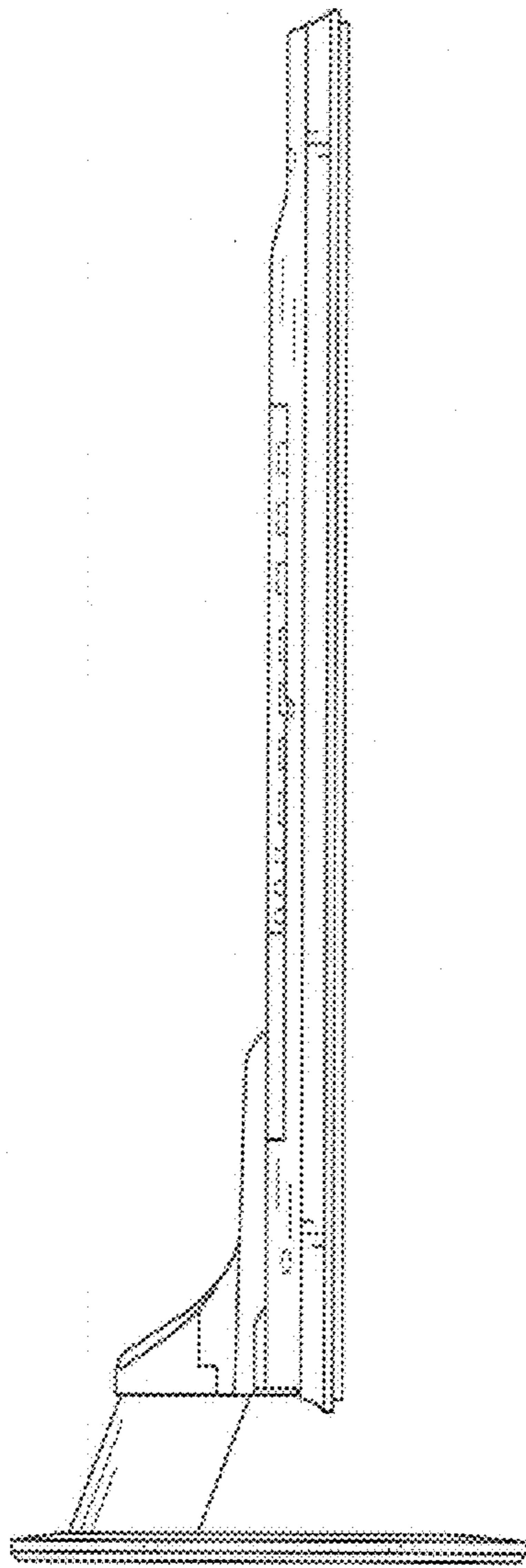


FIG. 5

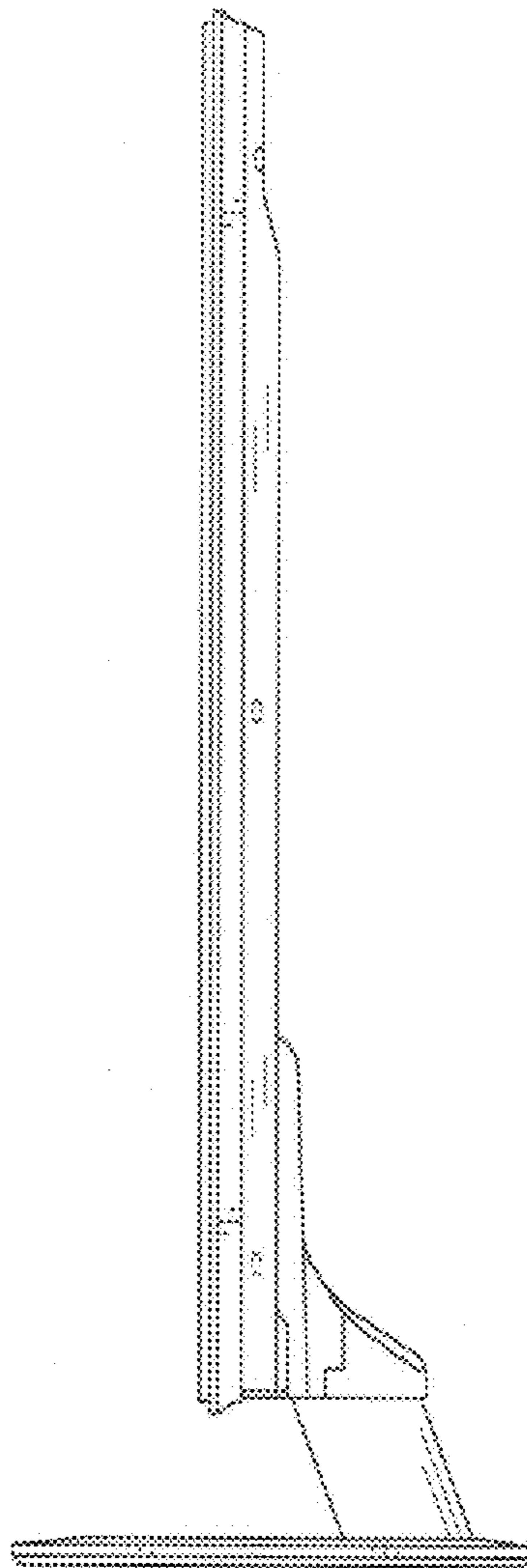


FIG. 6

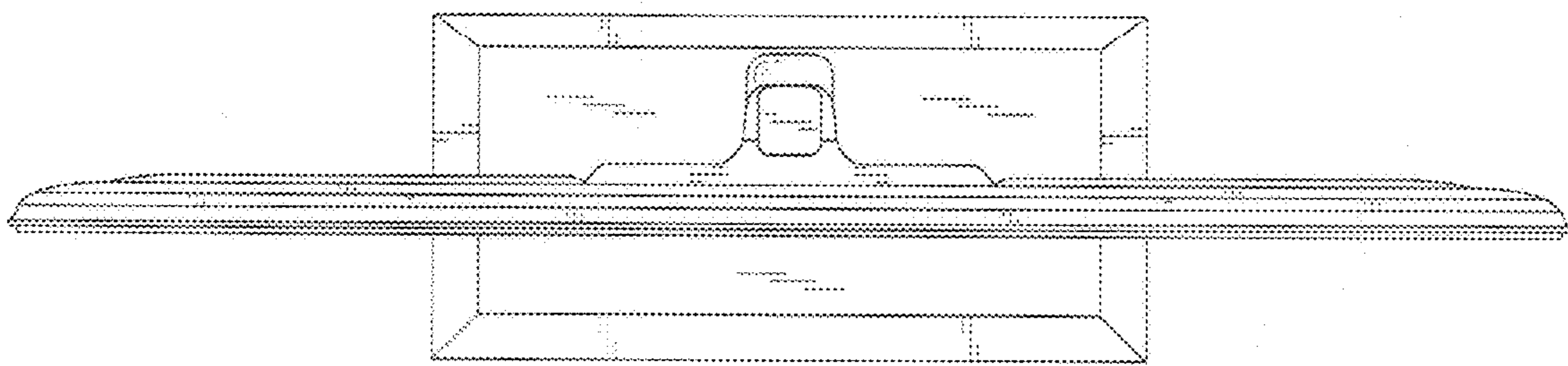


FIG. 7

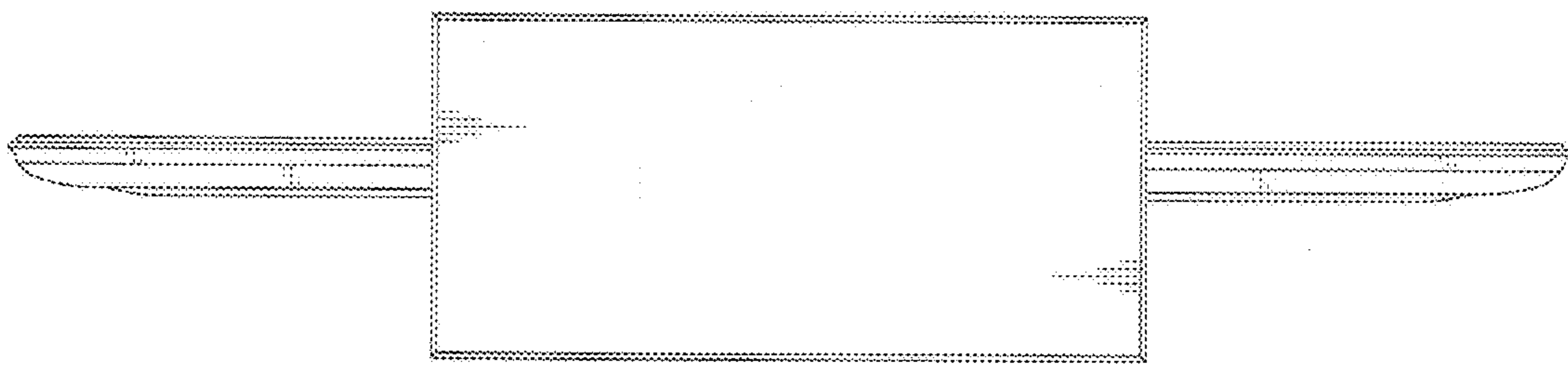


FIG. 8

