

US00D646244S

(12) **United States Design Patent**  
**Araki**

(10) **Patent No.:** **US D646,244 S**

(45) **Date of Patent:** **\*\* \*Oct. 4, 2011**

(54) **TELEVISION RECEIVER**

(75) Inventor: **Satoshi Araki**, Tokyo (JP)

(73) Assignee: **Kabushiki Kaisha Toshiba**, Minato-ku, Tokyo (JP)

(\*) Notice: This patent is subject to a terminal disclaimer.

(\*\*) Term: **14 Years**

(21) Appl. No.: **29/383,245**

(22) Filed: **Jan. 14, 2011**

(30) **Foreign Application Priority Data**

Nov. 29, 2010 (JP) ..... 2010-028357

(51) **LOC (9) Cl.** ..... **14-03**

(52) **U.S. Cl.** ..... **D14/126**

(58) **Field of Classification Search** ..... D14/125-134, D14/239, 371, 136, 374-377, 440, 450, 448, D14/336, 342; 312/7.2; 348/836, 838, 180, 348/184, 325, 739; 341/12; 248/917-924, 248/465; 345/104, 133, 156, 168, 87, 173; 720/605, 669, 600, 655; 369/99, 197; 455/344, 455/347; D21/329, 515, 577, 622, 333, 433, D21/448, 452, 450, 331; D6/477, 479, 300; 273/148 B; 446/484, 175, 356; D10/15, D10/26

See application file for complete search history.

(56) **References Cited**

**U.S. PATENT DOCUMENTS**

D546,304 S \* 7/2007 Kim et al. .... D14/126  
D562,788 S \* 2/2008 Asanuma et al. .... D14/126

D563,336 S \* 3/2008 Shih et al. .... D14/126  
D578,496 S \* 10/2008 Leonard ..... D14/126  
D611,918 S \* 3/2010 Shih et al. .... D14/126  
D616,841 S \* 6/2010 Kim et al. .... D14/126  
D618,641 S \* 6/2010 Kim et al. .... D14/126  
D621,374 S \* 8/2010 Kim et al. .... D14/126  
D622,236 S \* 8/2010 Lim et al. .... D14/126  
D624,512 S \* 9/2010 Kim et al. .... D14/126  
D626,925 S \* 11/2010 Li ..... D14/126  
D627,750 S \* 11/2010 Suzuki ..... D14/126  
D629,374 S \* 12/2010 Fujii et al. .... D14/129

**FOREIGN PATENT DOCUMENTS**

JP D1124927 10/2001  
JP D1350993 2/2009  
JP D1388103 5/2010

\* cited by examiner

*Primary Examiner* — Raphael Barkai

(74) *Attorney, Agent, or Firm* — Banner & Witcoff, Ltd.

(57) **CLAIM**

The ornamental design for a television receiver, as shown and described.

**DESCRIPTION**

FIG. 1 is a front perspective view of a television receiver showing my new design,  
FIG. 2 is a rear perspective view thereof,  
FIG. 3 is a front elevational view thereof,  
FIG. 4 is a rear elevational view thereof,  
FIG. 5 is a top plan view thereof,  
FIG. 6 is a bottom plan view thereof,  
FIG. 7 is a right side elevational view thereof; and,  
FIG. 8 is a left side elevational view thereof.

**1 Claim, 6 Drawing Sheets**

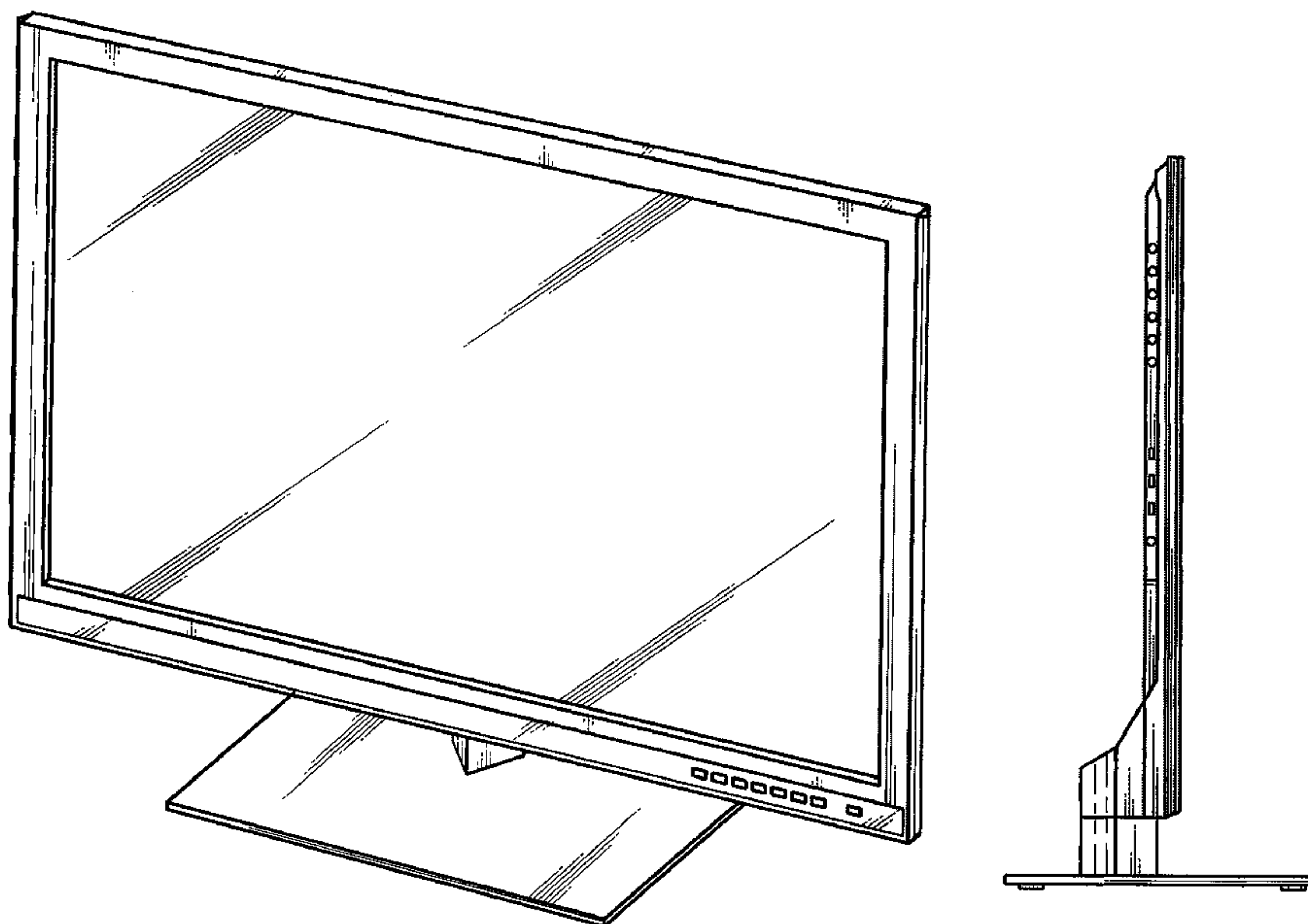
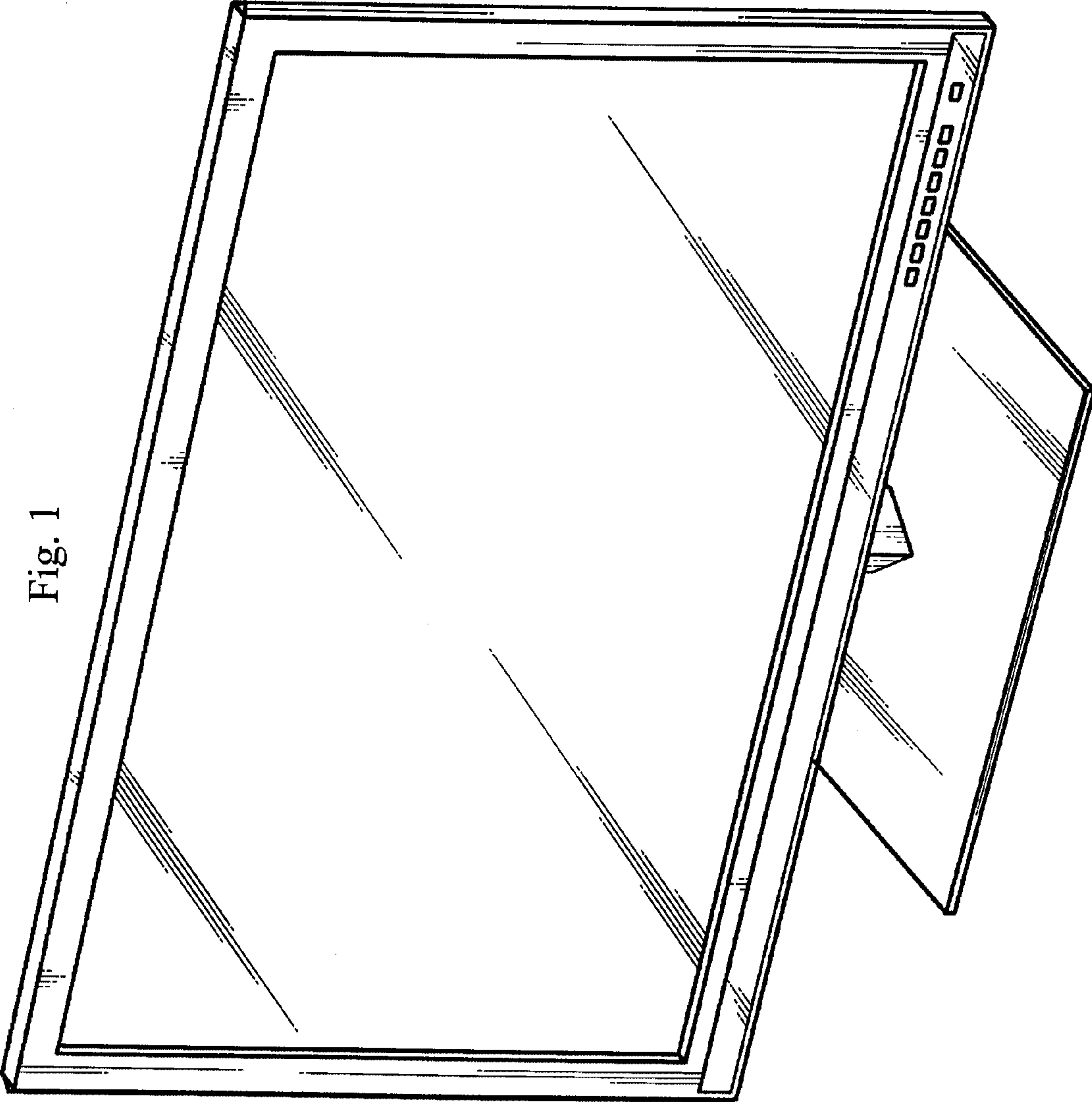


Fig. 1



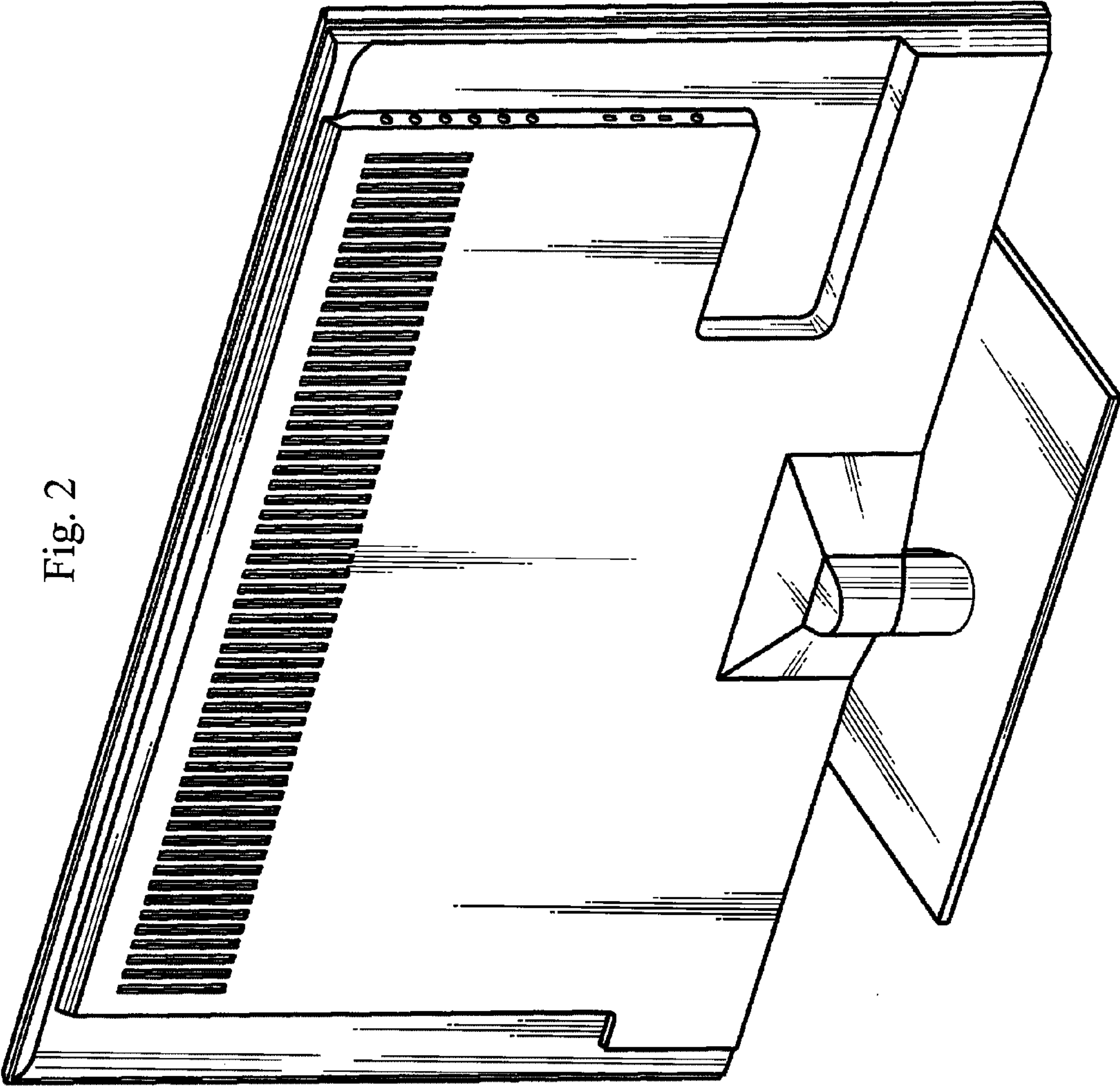


Fig. 2

Fig. 3

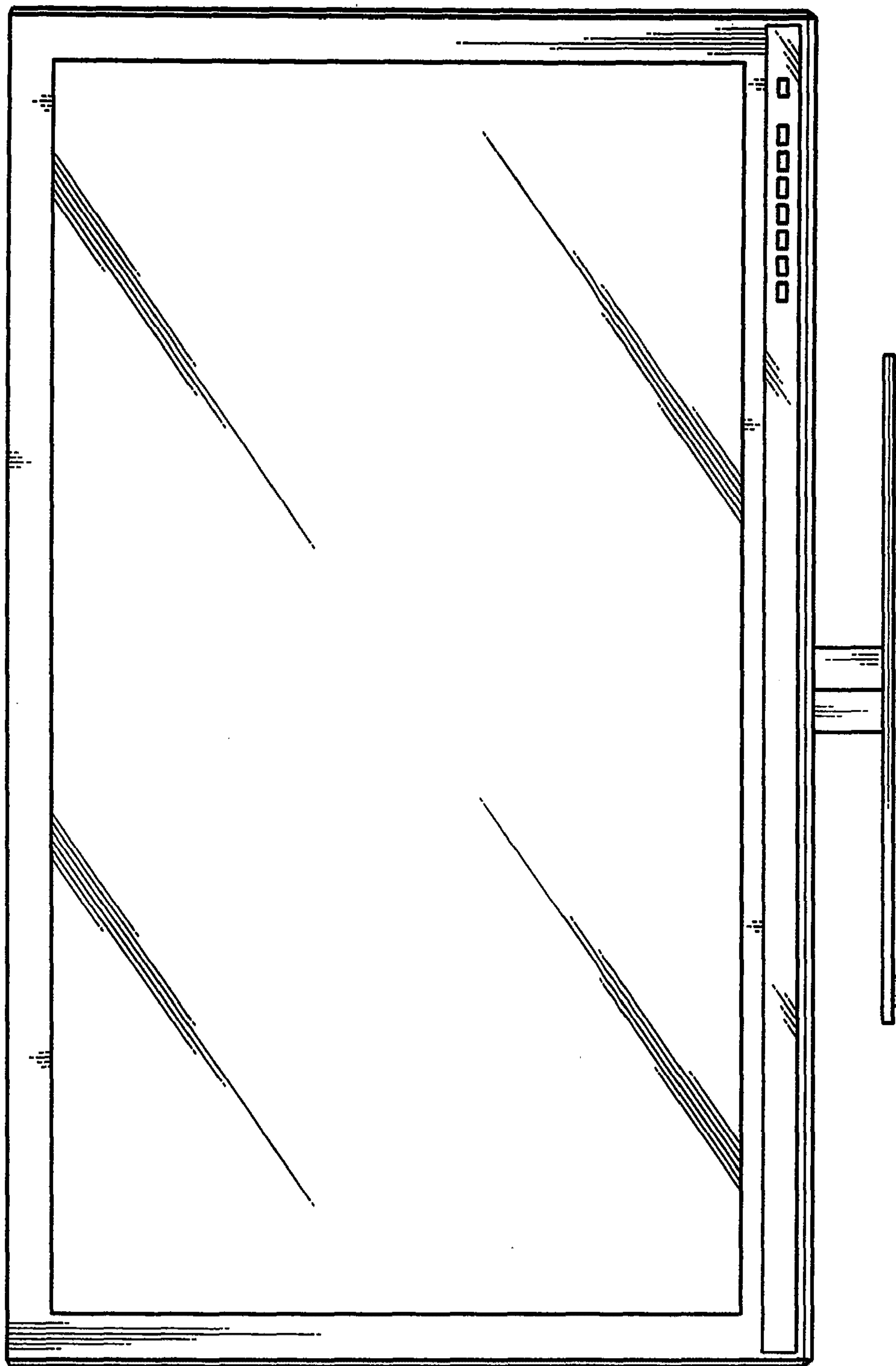




Fig. 4

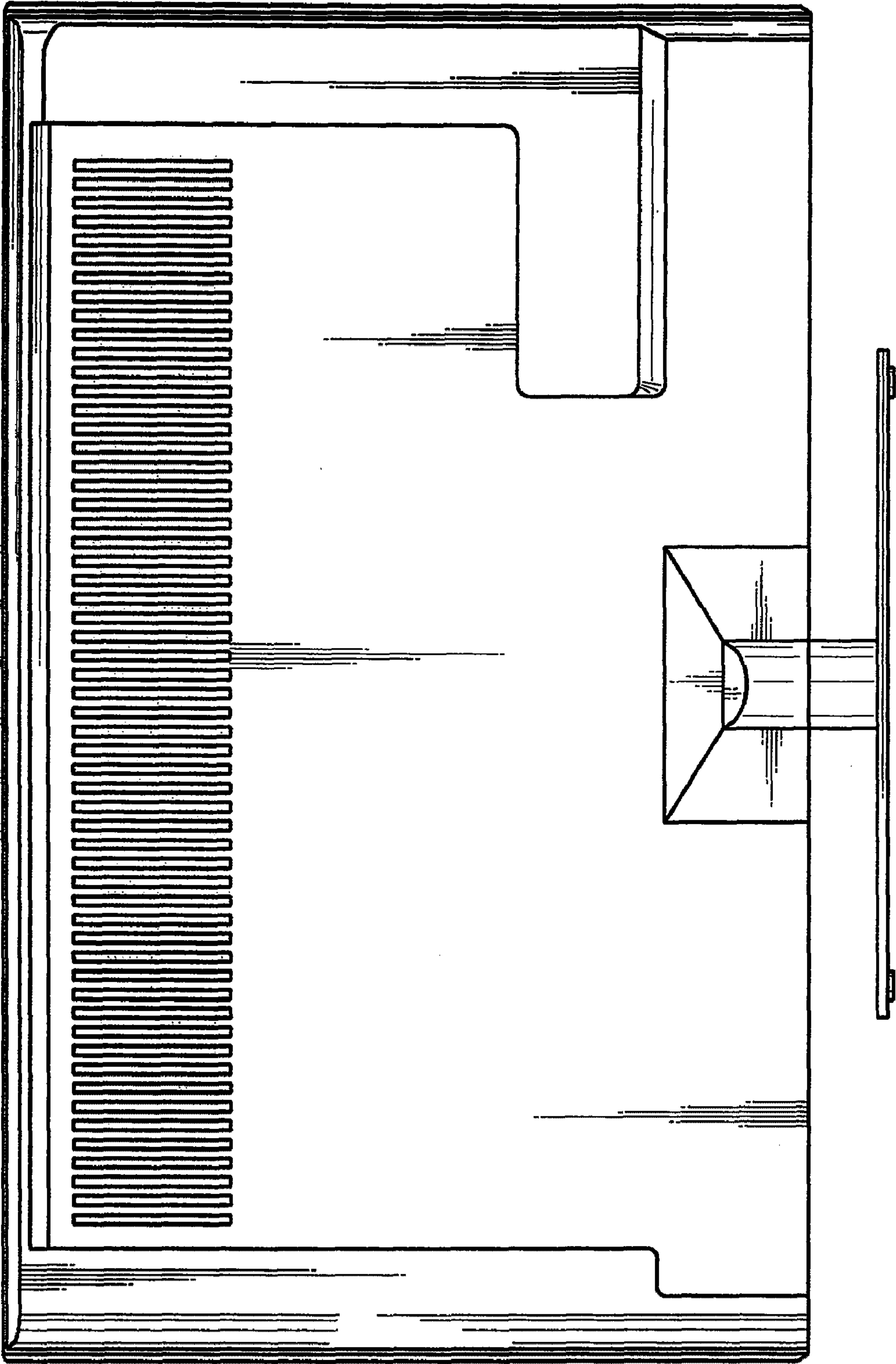


Fig. 5

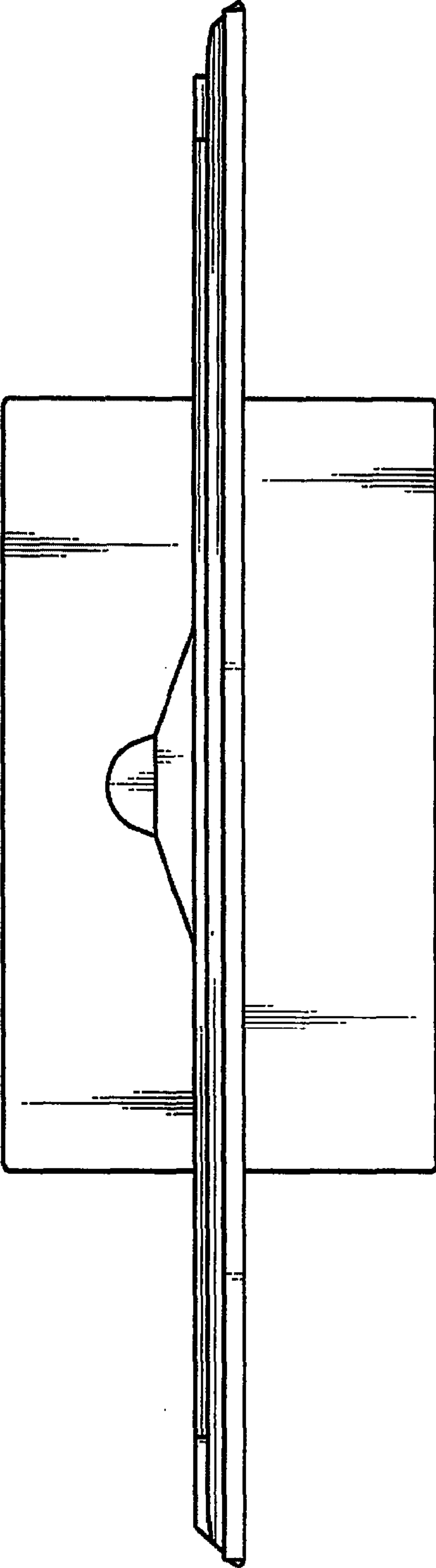


Fig. 6

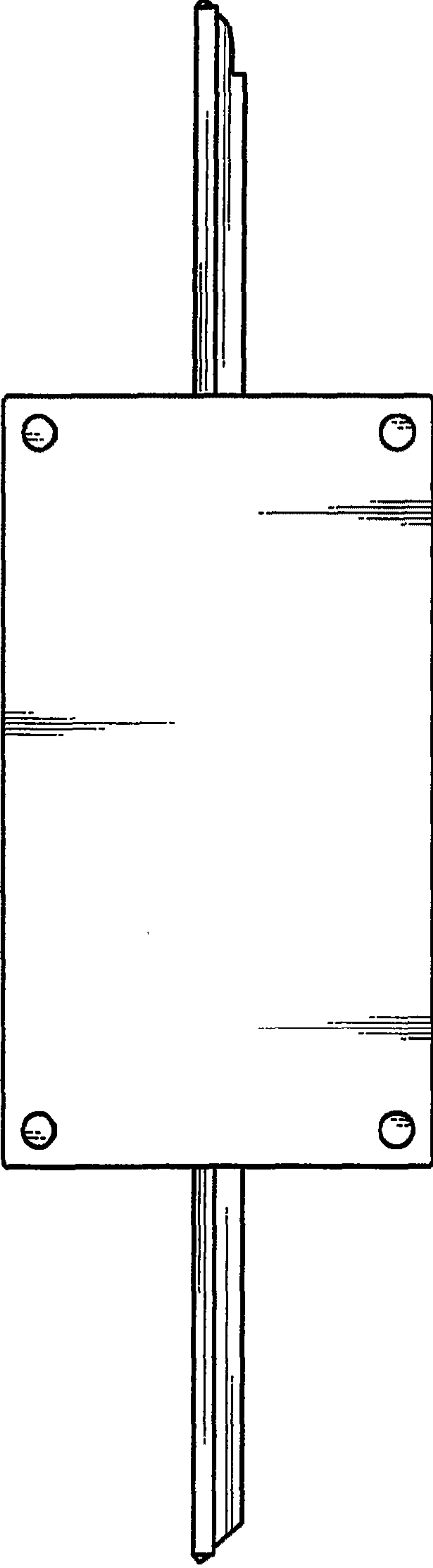


Fig. 7

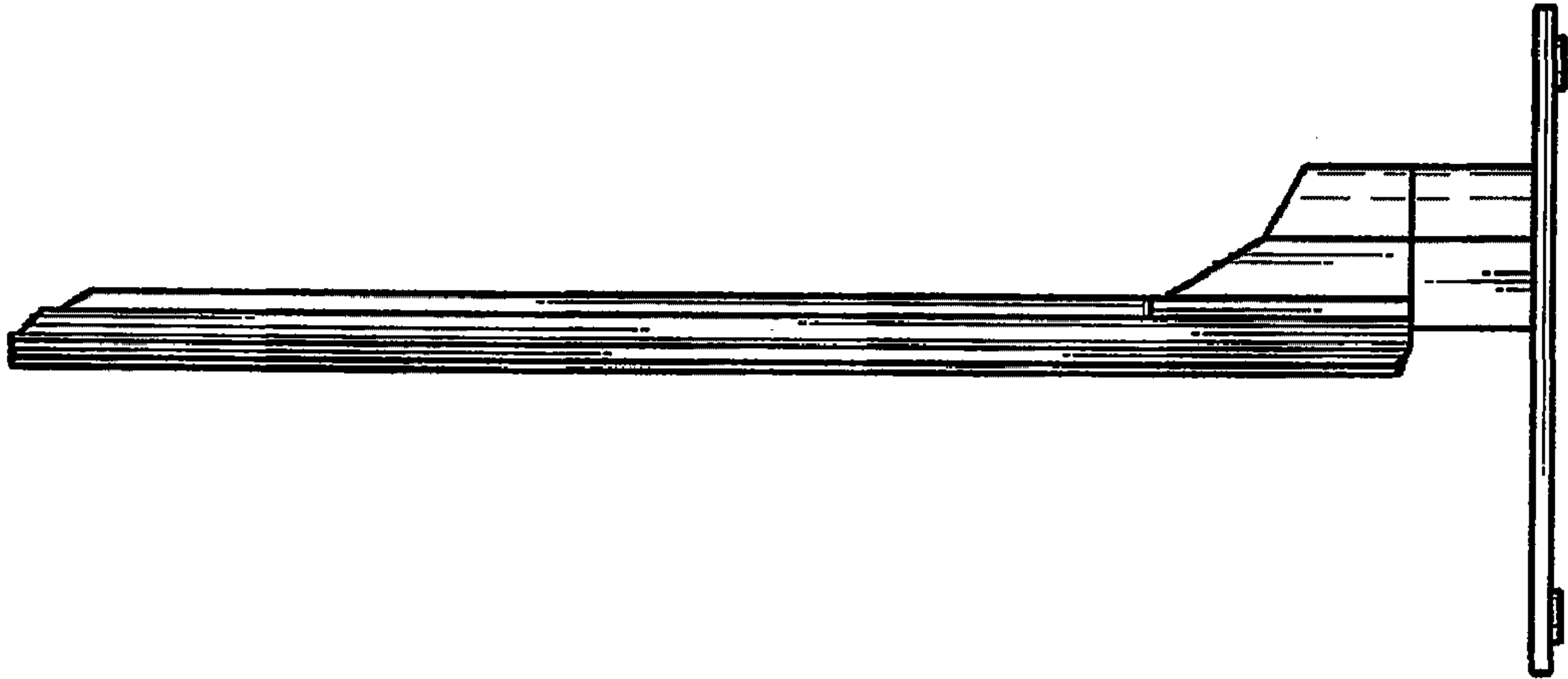


Fig. 8

