



US00D646240S

(12) **United States Design Patent**  
**Kim et al.**

(10) **Patent No.:** **US D646,240 S**

(45) **Date of Patent:** **\*\* Oct. 4, 2011**

(54) **SET TOP BOX**

(75) Inventors: **Hong-Pyo Kim**, Kyunggi-do (KR);  
**Sin-Wi Moon**, Jeju-do (KR); **Tai-Hyung Ju**, Seoul (KR); **Sung-Il Bang**, Seoul (KR)

(73) Assignee: **Samsung Electronics Co., Ltd.**, Suwon, Kyunggi-Do (KR)

(\*\*) Term: **14 Years**

(21) Appl. No.: **29/373,311**

(22) Filed: **Mar. 29, 2011**

(30) **Foreign Application Priority Data**

Dec. 6, 2010 (KR) ..... 30-2010-0052647

(51) **LOC (9) Cl.** ..... **14-03**

(52) **U.S. Cl.** ..... **D14/125**

(58) **Field of Classification Search** ..... D14/125-134,  
D14/168, 188, 197, 198, 371, 374-377; 312/7.1,  
312/7.2; 348/836, 838, 180, 184, 325, 739;  
341/12; 349/58; 720/600, 619, 646, 647,  
720/655; 455/347-351; 369/75.11, 75.21

See application file for complete search history.

(56) **References Cited**

**U.S. PATENT DOCUMENTS**

D529,879 S	10/2006	Park et al.
D533,157 S	12/2006	Park
D541,811 S	5/2007	Park
D544,455 S	6/2007	Park et al.
D545,774 S	7/2007	Woo et al.
D551,183 S	9/2007	Park et al.
D560,176 S	1/2008	Woo
D560,177 S	1/2008	Chun et al.
D560,689 S	1/2008	Cho
D567,193 S	4/2008	Kang et al.
D571,754 S	6/2008	Cho et al.
D574,793 S	8/2008	Kim et al.

D584,254 S	1/2009	Jeon et al.
D584,701 S	1/2009	Kim et al.
D585,395 S	1/2009	Cho et al.
D587,223 S	2/2009	Chun
D587,224 S	2/2009	Chun et al.
D588,559 S	3/2009	Kim et al.
D592,619 S	5/2009	Woo et al.
D592,620 S	5/2009	Kim et al.
D593,971 S	6/2009	Kim et al.
D593,972 S	6/2009	Cho et al.
D593,973 S	6/2009	Cho et al.
D596,149 S	7/2009	Cho et al.
D599,753 S	9/2009	Cho et al.
D602,887 S	10/2009	Cho et al.
D602,888 S	10/2009	Cho et al.
D602,889 S	10/2009	Cho et al.
D602,890 S	10/2009	Cho et al.

(Continued)

**OTHER PUBLICATIONS**

U.S. Appl. No. 29/372,551, Applicant: Stefano Giovannoni et al., filed Dec. 7, 2010 entitled Set Top Box.

*Primary Examiner* — Raphael Barkai

*Assistant Examiner* — Randall Gholson

(74) *Attorney, Agent, or Firm* — Flynn, Theil, Boutell & Tanis, P.C.

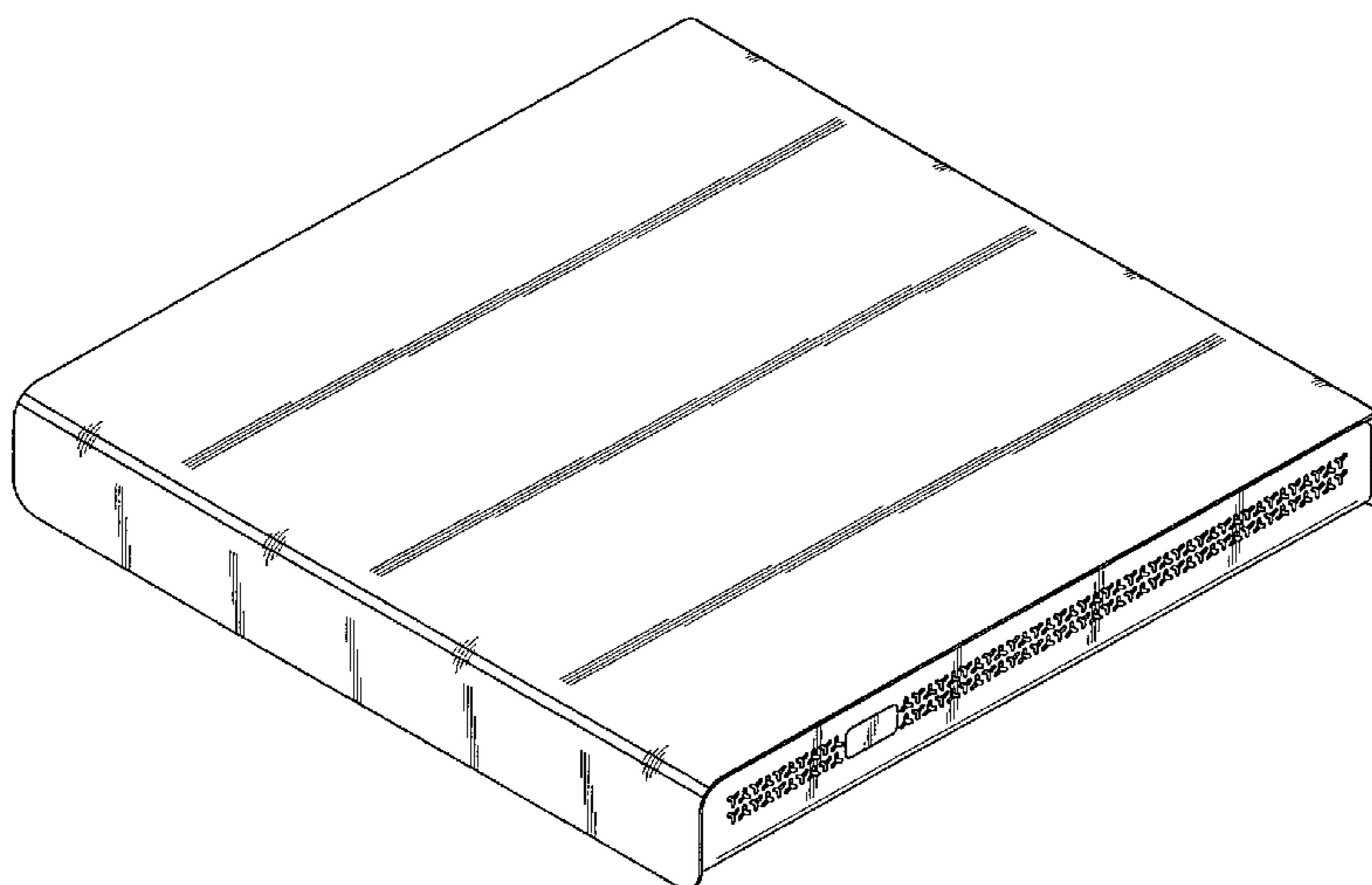
(57) **CLAIM**

The ornamental design for a set top box, as shown and described.

**DESCRIPTION**

FIG. 1 is a top front perspective view of a set top box showing our new design;  
FIG. 2 is a front elevational view thereof;  
FIG. 3 is a rear elevational view thereof;  
FIG. 4 is a left side elevational view thereof;  
FIG. 5 is a right side elevational view thereof;  
FIG. 6 is a top plan view thereof; and,  
FIG. 7 is a bottom plan view thereof.

**1 Claim, 4 Drawing Sheets**



# US D646,240 S

Page 2

---

## U.S. PATENT DOCUMENTS

D608,310 S	1/2010	Cho et al.	D635,530 S	4/2011	Sung et al.
D608,744 S	1/2010	Kim et al.	D635,531 S	4/2011	Cho et al.
D608,745 S	1/2010	Cho et al.	D635,532 S	4/2011	Sung et al.
D609,656 S	2/2010	Cho et al.	D635,533 S	4/2011	Cho et al.
D610,102 S	2/2010	Cho et al.	D635,534 S	4/2011	Cho et al.
			D635,535 S	4/2011	Cho et al.
			D635,940 S	4/2011	Cho et al.

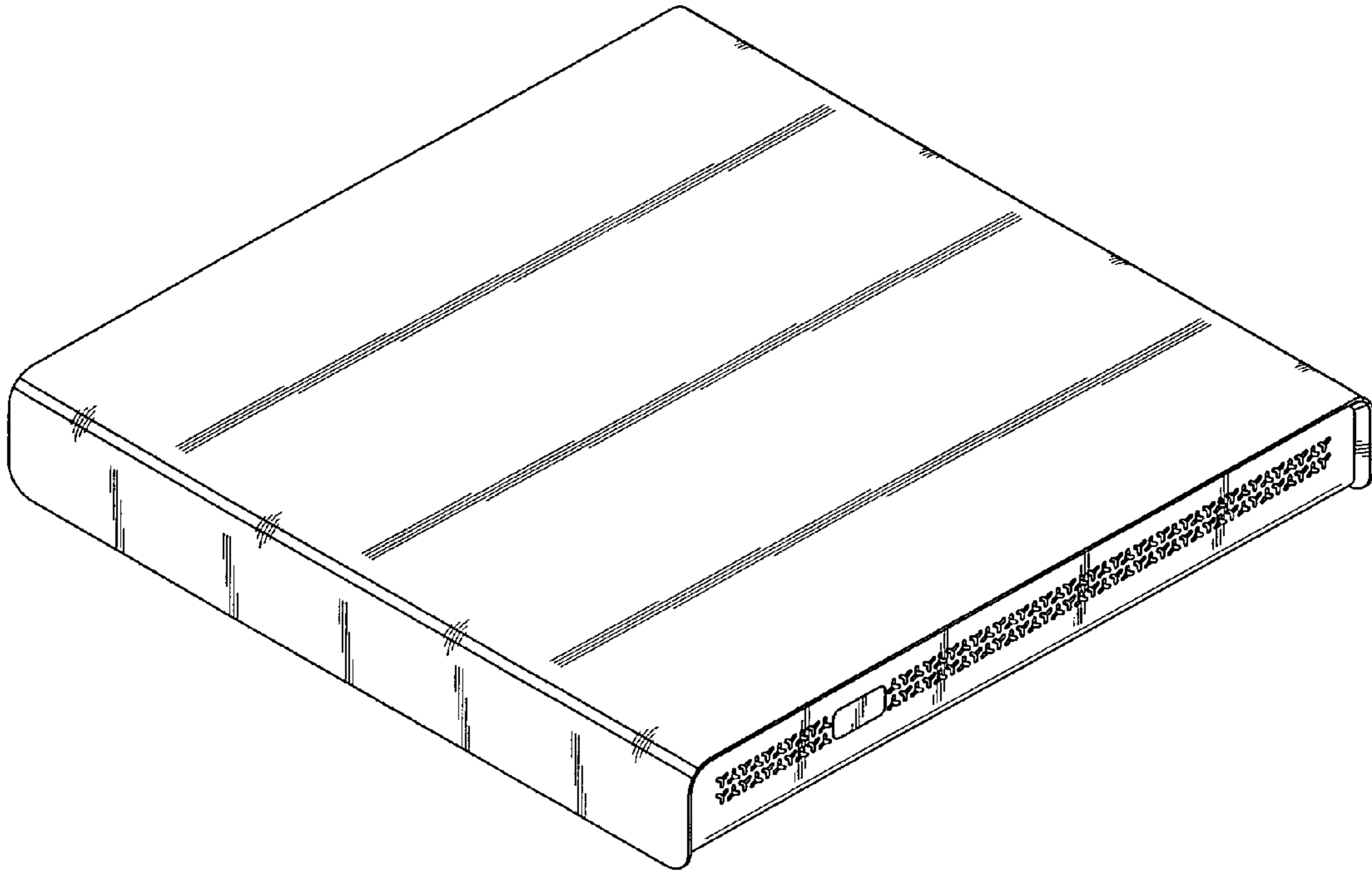


FIG.1

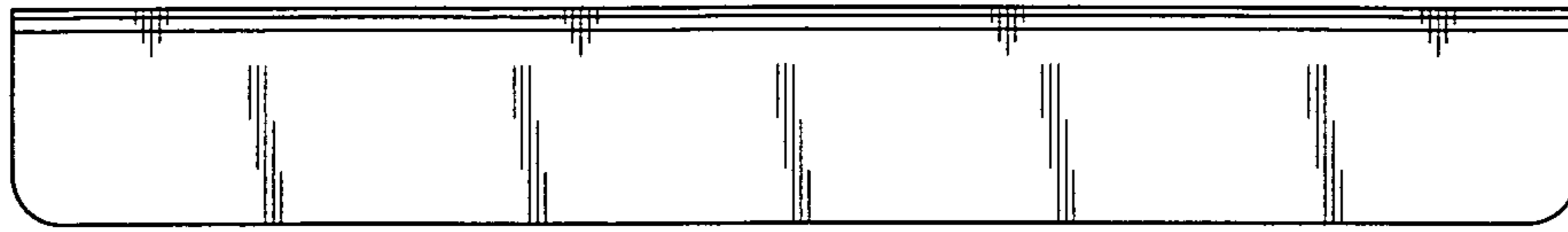


FIG. 2

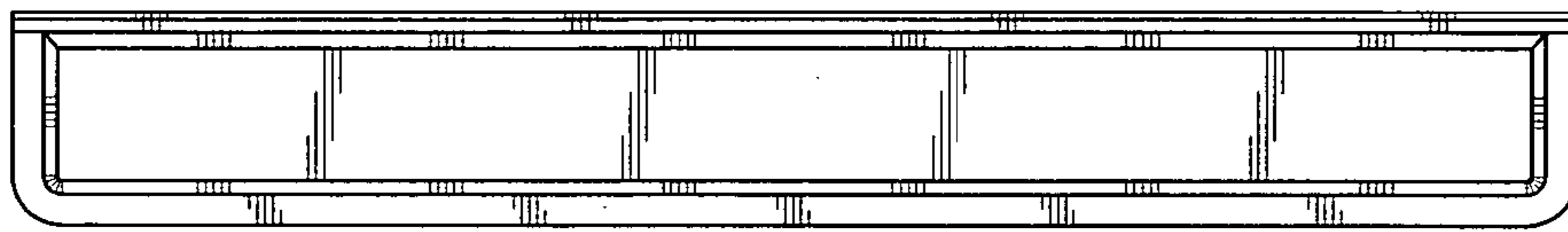


FIG. 3

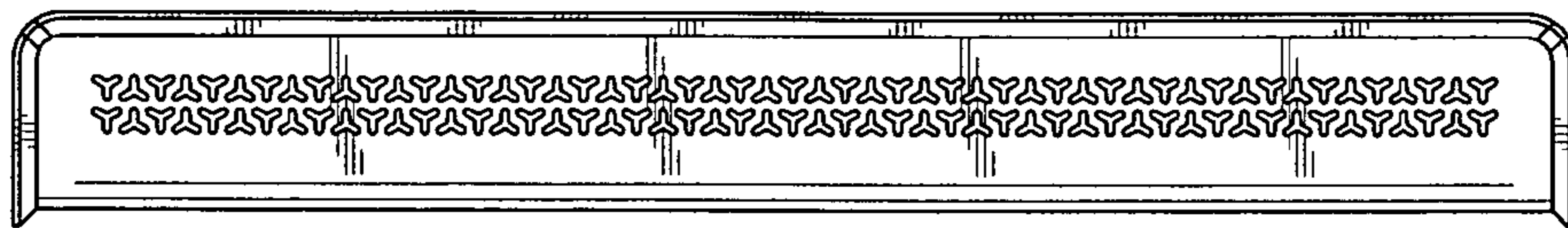


FIG. 4

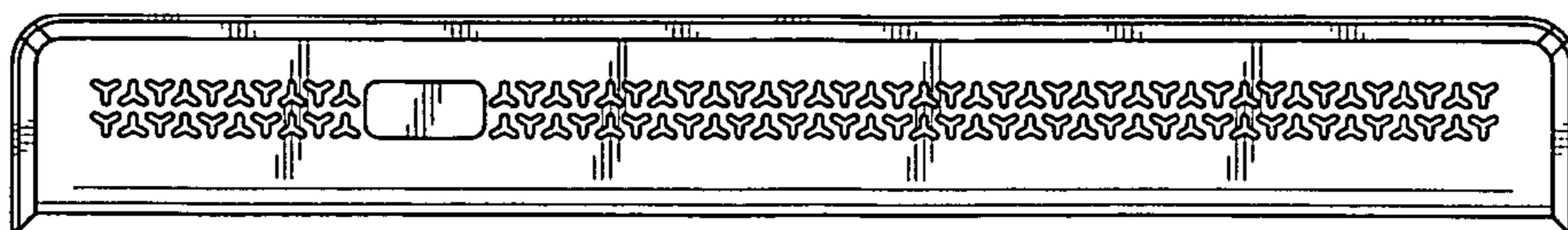


FIG. 5

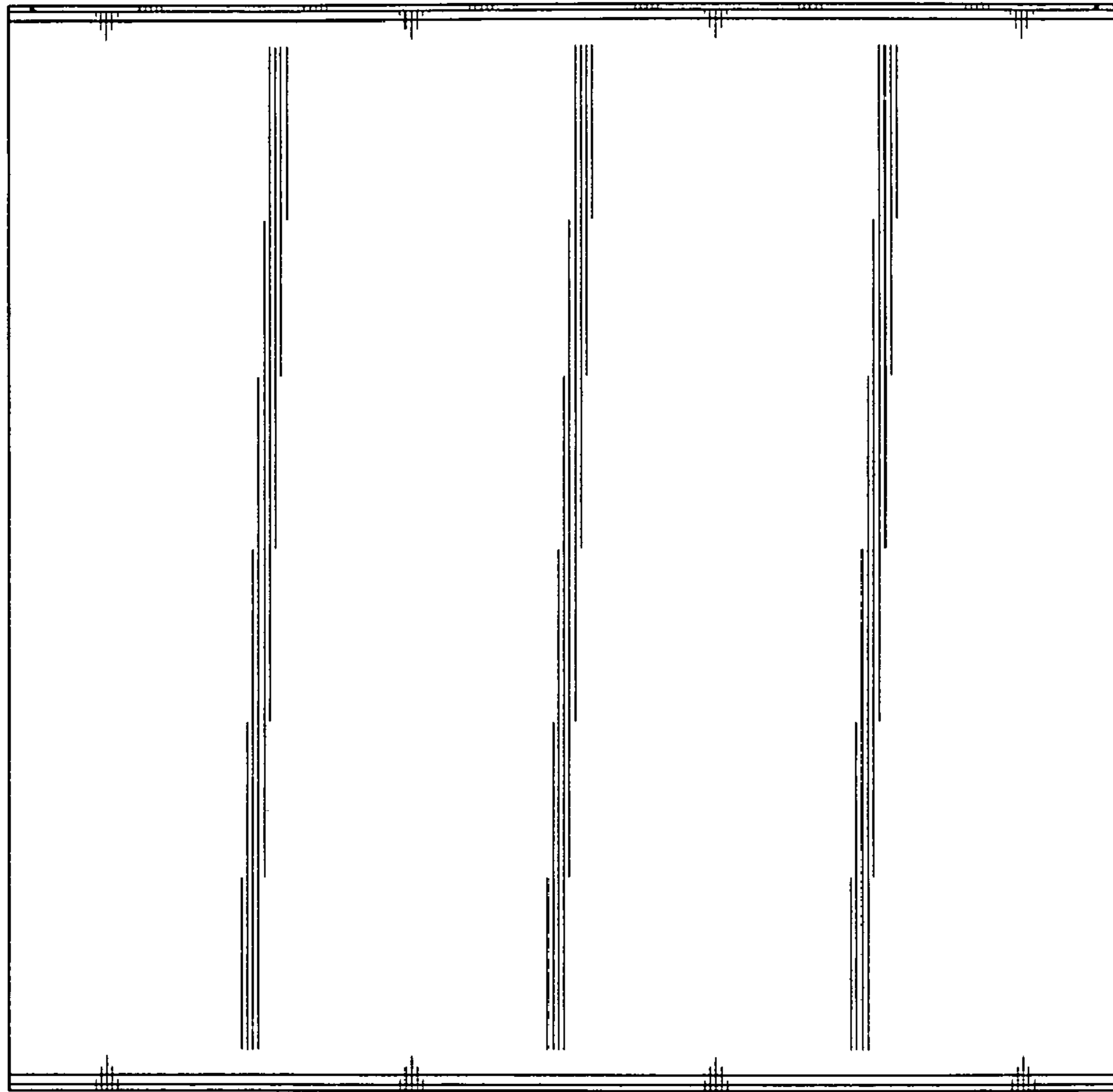


FIG.6

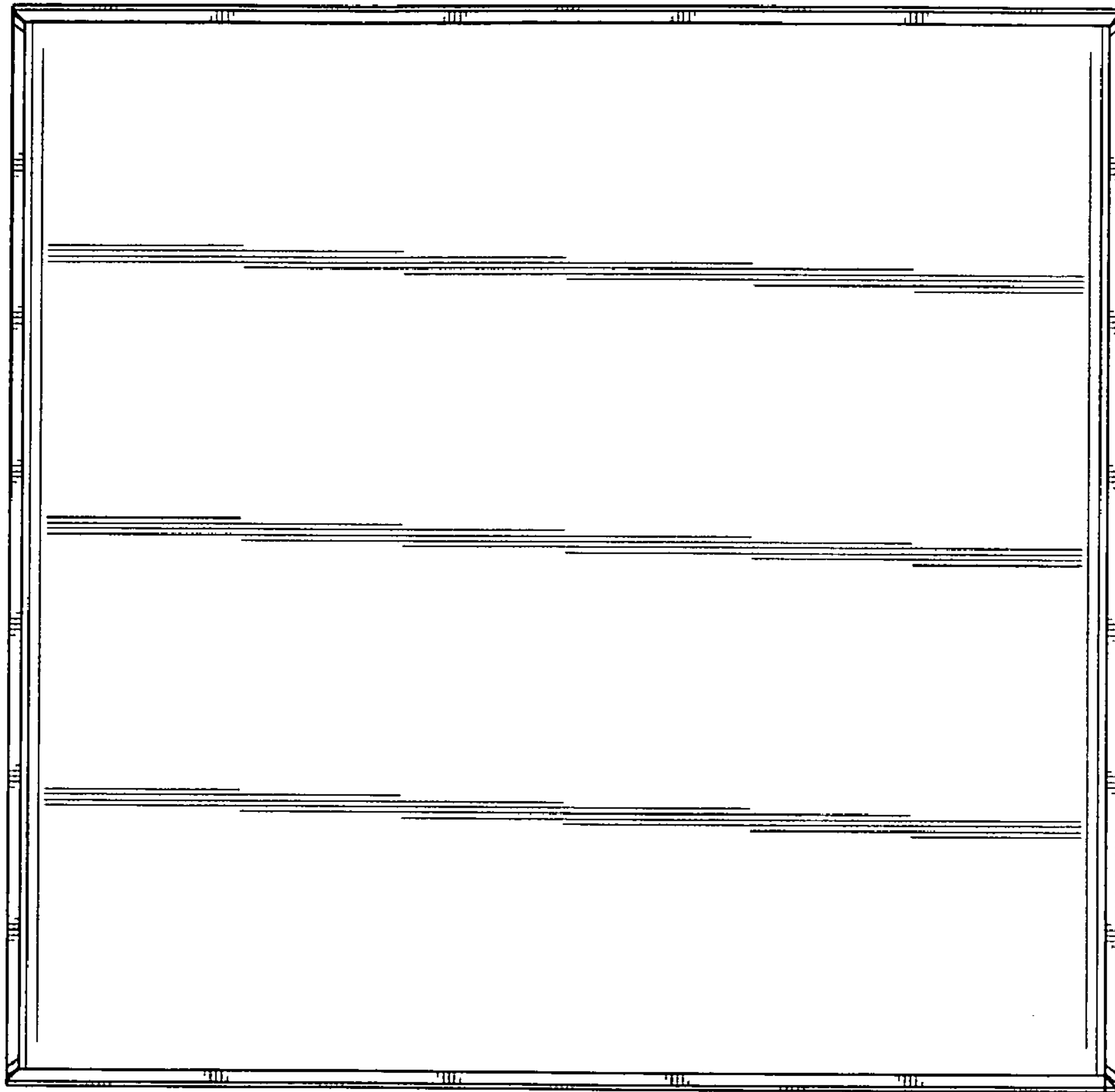


FIG.7