

US00D646236S

(12) **United States Design Patent**
Sugama

(10) **Patent No.:** **US D646,236 S**
(45) **Date of Patent:** **** *Oct. 4, 2011**

(54) **QUARTZ CRYSTAL**

- (75) Inventor: **Kazuyoshi Sugama**, Chiba (JP)
- (73) Assignee: **Seiko Instruments Inc.**, Chiba (JP)
- (*) Notice: This patent is subject to a terminal disclaimer.
- (**) Term: **14 Years**
- (21) Appl. No.: **29/361,007**
- (22) Filed: **May 4, 2010**

(30) **Foreign Application Priority Data**

Nov. 5, 2009 (JP) D2009-025888

- (51) **LOC (9) Cl.** **13-03**
- (52) **U.S. Cl.** **D13/182**
- (58) **Field of Classification Search** D13/101,
D13/182; 310/344, 345, 348, 361, 370
See application file for complete search history.

(56) **References Cited**

U.S. PATENT DOCUMENTS

| | | | | |
|--------------|------|---------|-----------------|---------|
| 5,596,243 | A * | 1/1997 | Tsuru et al. | 310/348 |
| 5,889,357 | A * | 3/1999 | Yachi et al. | 310/344 |
| 6,545,392 | B2 * | 4/2003 | Kawauchi et al. | 310/344 |
| 7,135,810 | B2 * | 11/2006 | Okajima | 310/348 |
| 7,279,824 | B2 * | 10/2007 | Tanaya et al. | 310/344 |
| 2002/0096974 | A1 * | 7/2002 | Moon et al. | 310/345 |
| 2004/0095044 | A1 * | 5/2004 | Yagishita | 310/348 |
| 2004/0155561 | A1 * | 8/2004 | Tanaya et al. | 310/370 |
| 2005/0040737 | A1 * | 2/2005 | Tanaya | 310/370 |
| 2006/0022557 | A1 * | 2/2006 | Sunaba et al. | 310/348 |
| 2007/0228892 | A1 * | 10/2007 | Koyama et al. | 310/348 |
| 2007/0273250 | A1 * | 11/2007 | Naruse | 310/348 |
| 2008/0231145 | A1 * | 9/2008 | Nagano et al. | 310/344 |
| 2009/0015106 | A1 * | 1/2009 | Tanaya | 310/344 |
| 2010/0096955 | A1 * | 4/2010 | Yamada | 310/370 |
| 2010/0117490 | A1 * | 5/2010 | Takahashi | 310/344 |

OTHER PUBLICATIONS

- Sugama, K., "Quartz Crystal," U.S. Appl. No. 29/360,959, filed May 4, 2010.
- Sugama, K., "Quartz Crystal," U.S. Appl. No. 29/361,044, filed May 4, 2010.
- Sugama, K., "Quartz Crystal," U.S. Appl. No. 29/361,054, filed May 4, 2010.
- Sugama, K., "Quartz Crystal," U.S. Appl. No. 29/361,049, filed May 4, 2010.
- Sugama, K., "Quartz Crystal," U.S. Appl. No. 29/360,967, filed May 4, 2010.
- Sugama, Quartz Crystal—U.S. Appl. No. 29/361,041, filed May 4, 2010.
- Sugama, Quartz Crystal—U.S. Appl. No. 29/360,962, filed May 4, 2010.
- Sugama, Quartz Crystal—U.S. Appl. No. 29/361,020, filed May 4, 2010.
- Sugama, Quartz Crystal—U.S. Appl. No. 29/361,021, filed May 4, 2010.

(Continued)

Primary Examiner — Selina Sikder
(74) *Attorney, Agent, or Firm* — Finnegan, Henderson, Farabow, Garrett & Dunner, L.L.P.

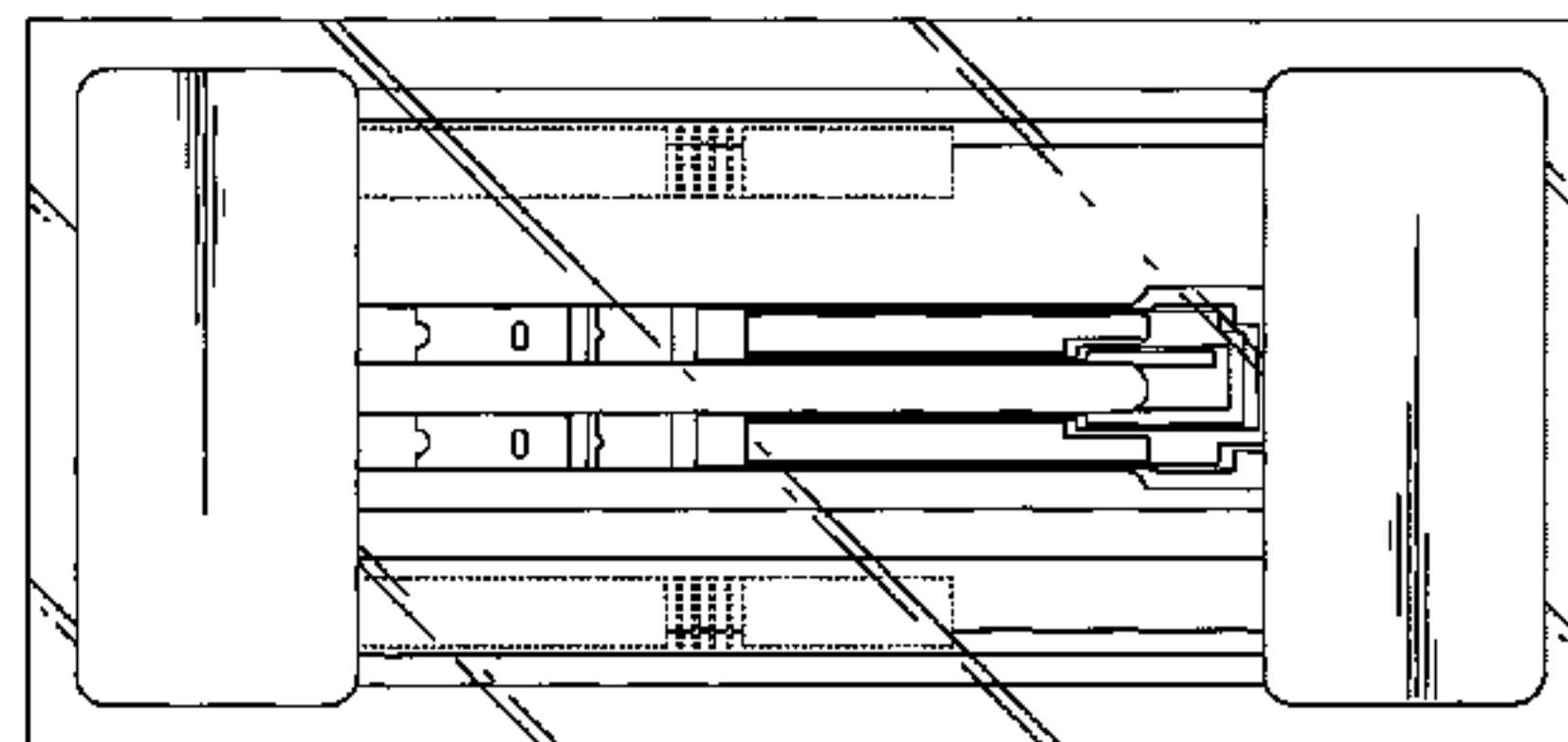
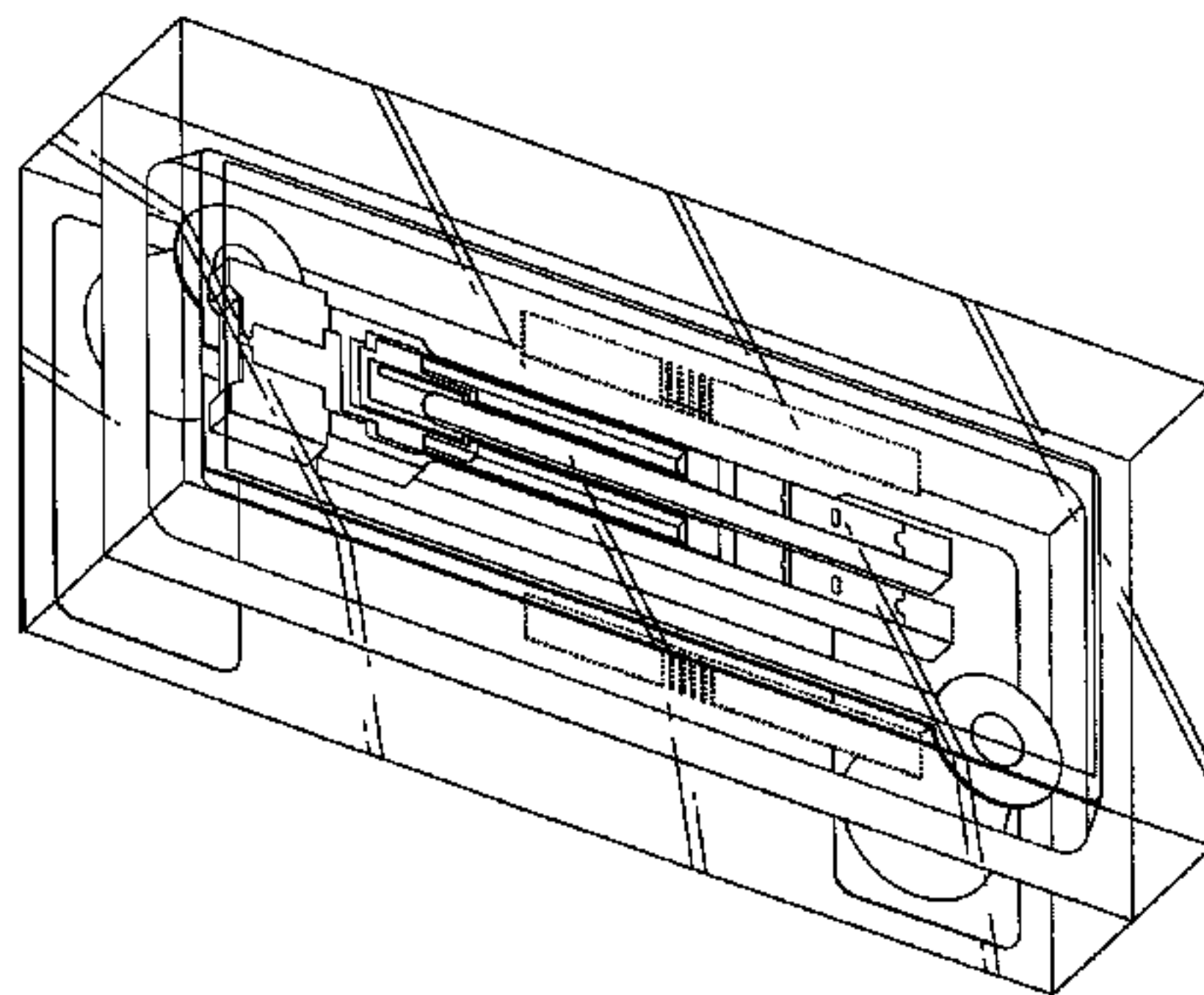
(57) **CLAIM**

The ornamental design for quartz crystal, as shown and described.

DESCRIPTION

FIG. 1 is a perspective view of the front, bottom and left side of quartz crystal showing my new design;
FIG. 2 is a front view thereof;
FIG. 3 is a rear view thereof;
FIG. 4 is a top plan view thereof;
FIG. 5 is a bottom view thereof;
FIG. 6 is a left side view thereof; and,
FIG. 7 is a right side view thereof.
The elements shown in broken lines are for illustrative purposes only and form no part of the claimed design.

1 Claim, 5 Drawing Sheets



OTHER PUBLICATIONS

Sugama, Quartz Crystal—U.S. Appl. No. 29/361,050, filed May 4, 2010.

Sugama, Quartz Crystal—U.S. Appl. No. 29/361,055, filed May 4, 2010.

Sugama, Quartz Crystal—U.S. Appl. No. 29/368,177, filed Aug. 19, 2010.

Sugama, Quartz Crystal—U.S. Appl. No. 29/368,182, filed Aug. 19, 2010.

Sugama, Quartz Crystal—U.S. Appl. No. 29/368,163, filed Aug. 19, 2010.

Sugama, Quartz Crystal—U.S. Appl. No. 29/368,164, filed Aug. 19, 2010.

Sugama, Quartz Crystal—U.S. Appl. No. 29/347,955, filed Aug. 19, 2010.

Sugama, Quartz Crystal—U.S. Appl. No. 29/347,956, filed Aug. 19, 2010.

Sugama, Quartz Crystal—U.S. Appl. No. 29/347,953, filed Aug. 19, 2010.

Sugama, Quartz Crystal—U.S. Appl. No. 29/347,954, filed Aug. 19, 2010.

Sugama, Quartz Crystal—U.S. Appl. No. 29/347,951, filed Aug. 19, 2010.

Sugama, Quartz Crystal—U.S. Appl. No. 29/347,952, filed Aug. 19, 2010.

Sugama, Quartz Crystal—U.S. Appl. No. 29/368,172, filed Aug. 19, 2010.

Sugama, Quartz Crystal—U.S. Appl. No. 29/368,175, filed Aug. 19, 2010.

* cited by examiner

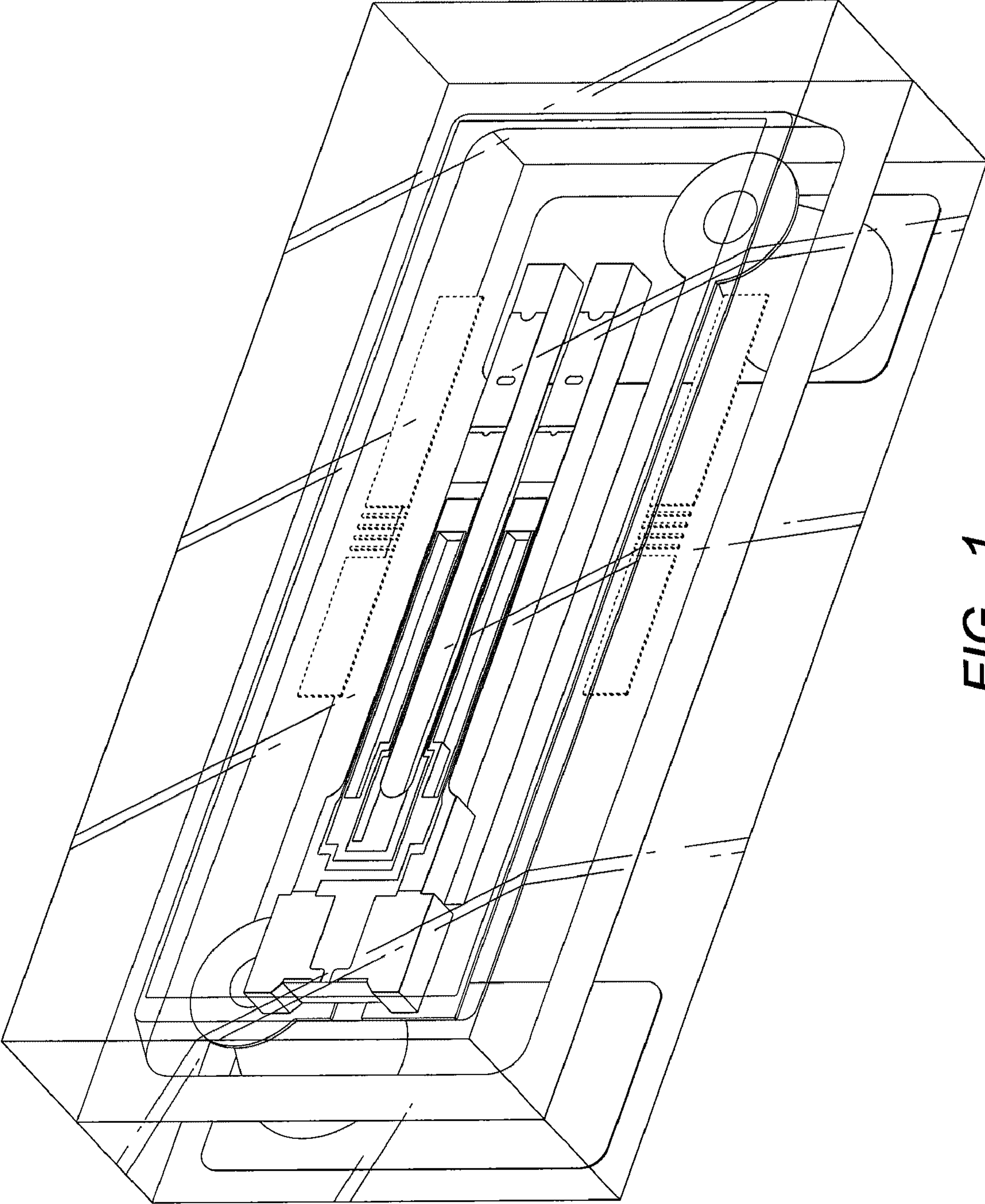


FIG. 1

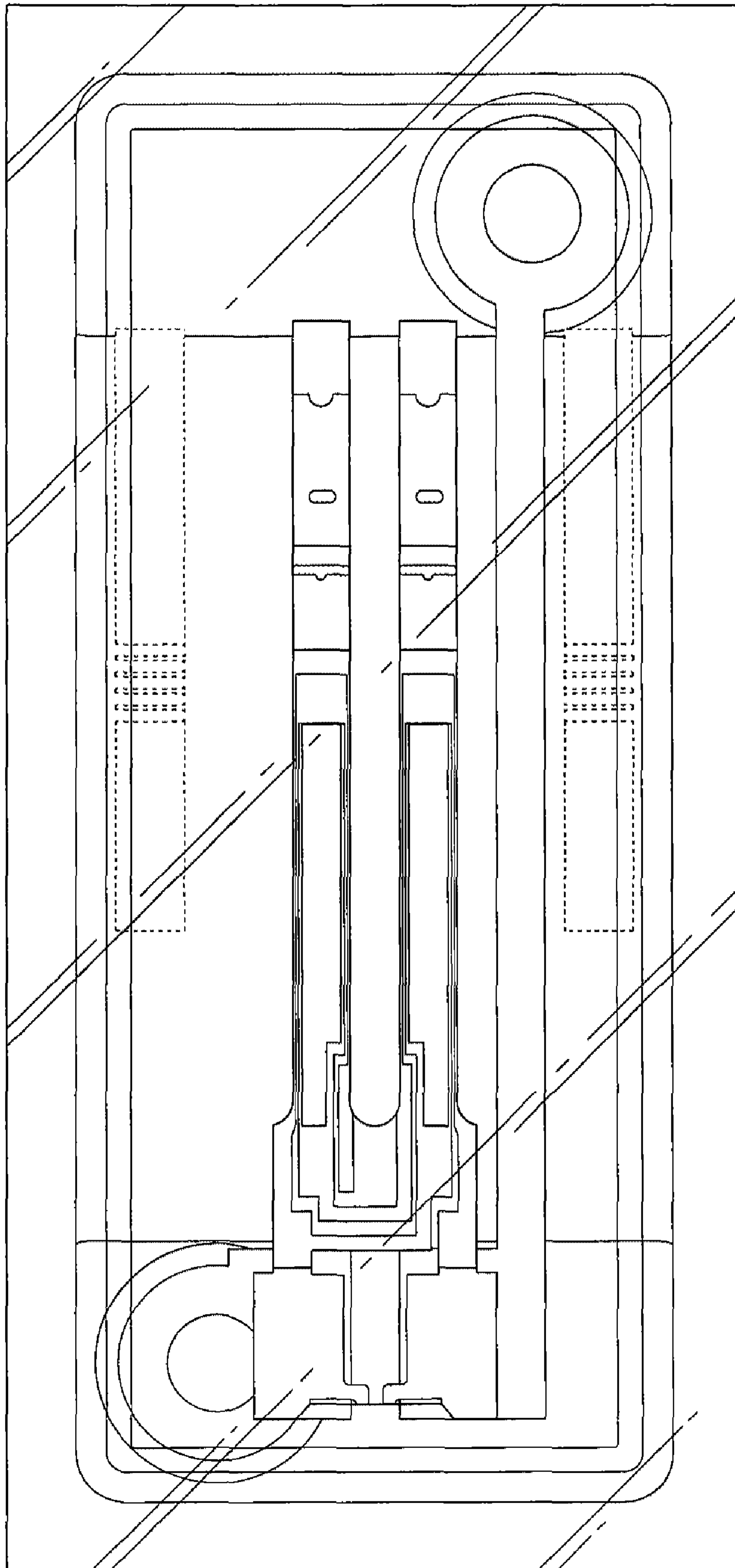


FIG. 2

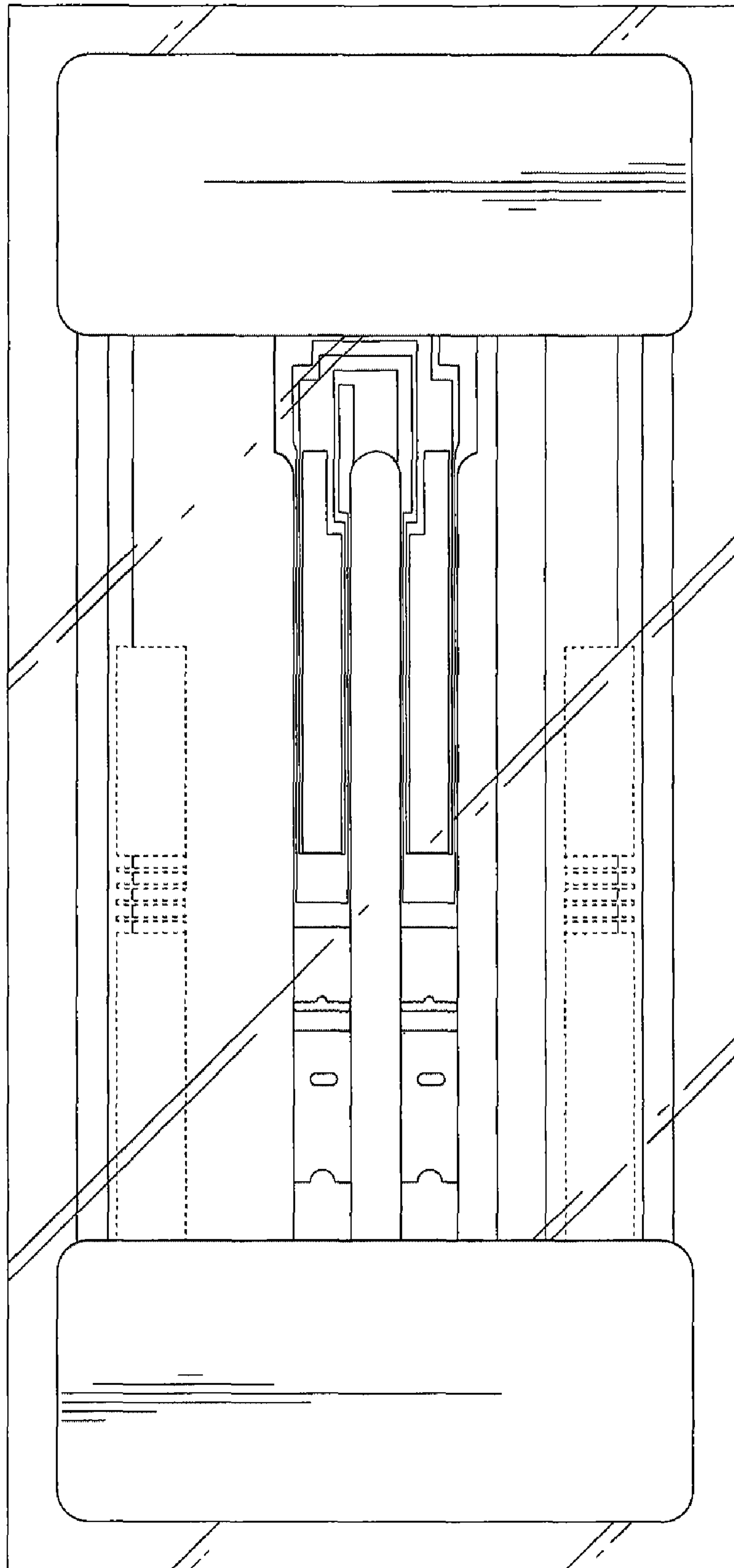


FIG. 3

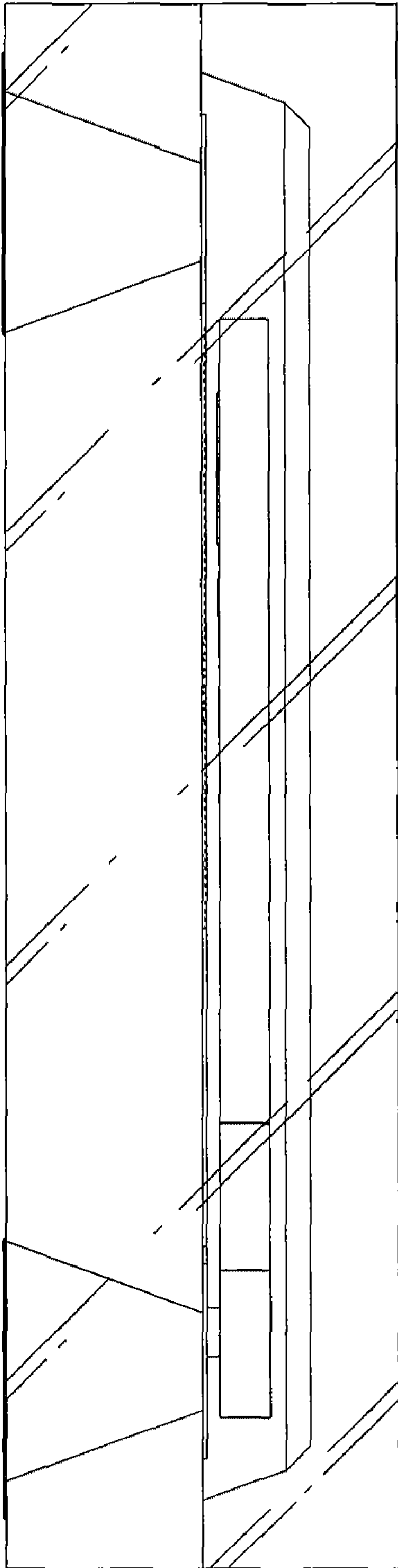


FIG. 4

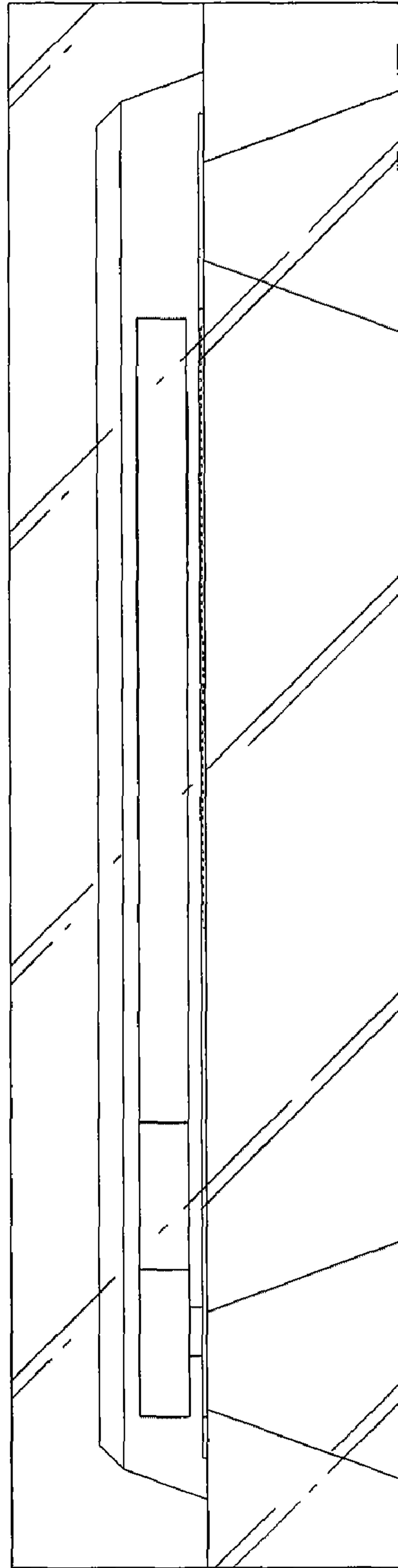


FIG. 5

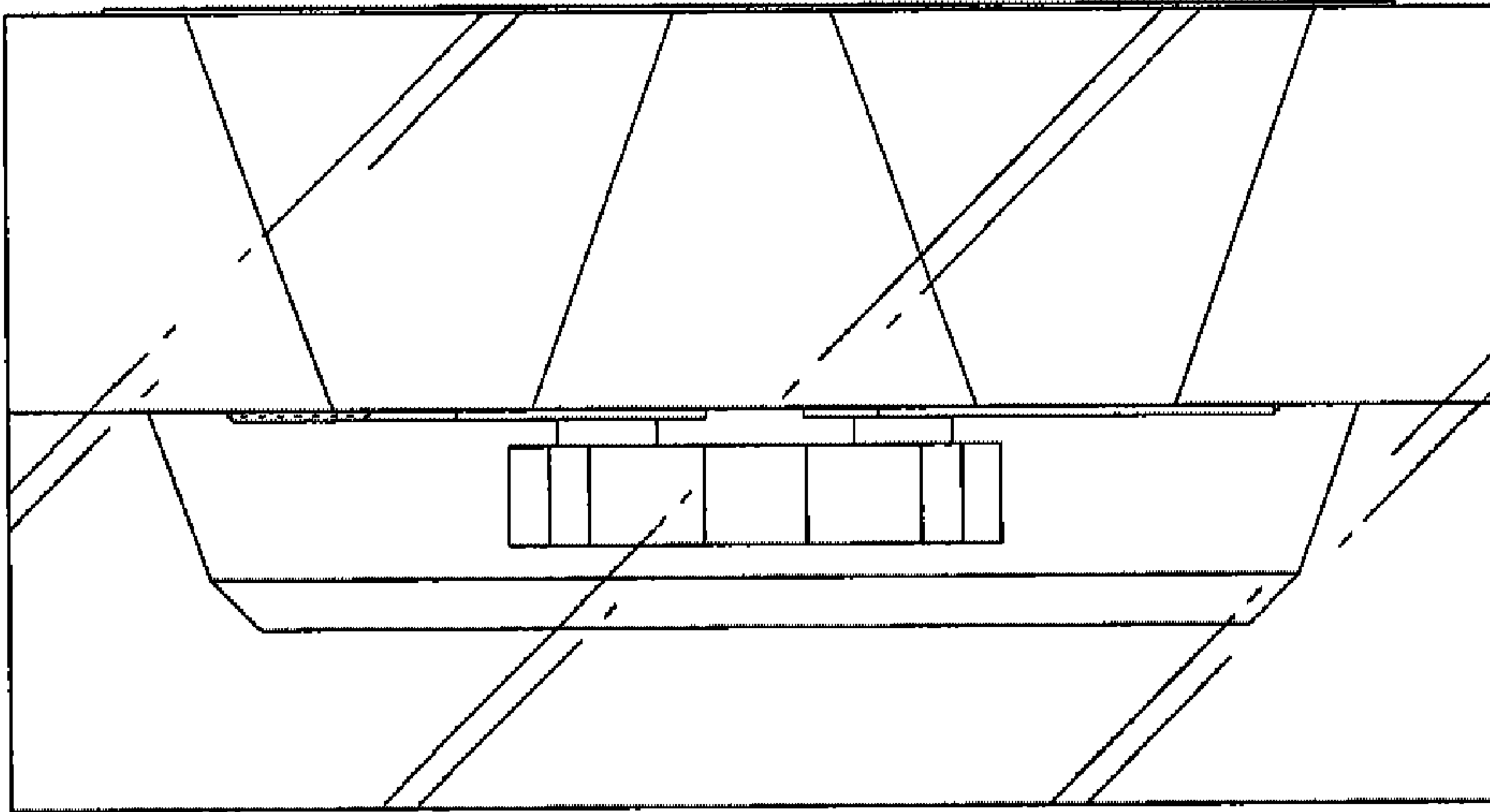


FIG. 7

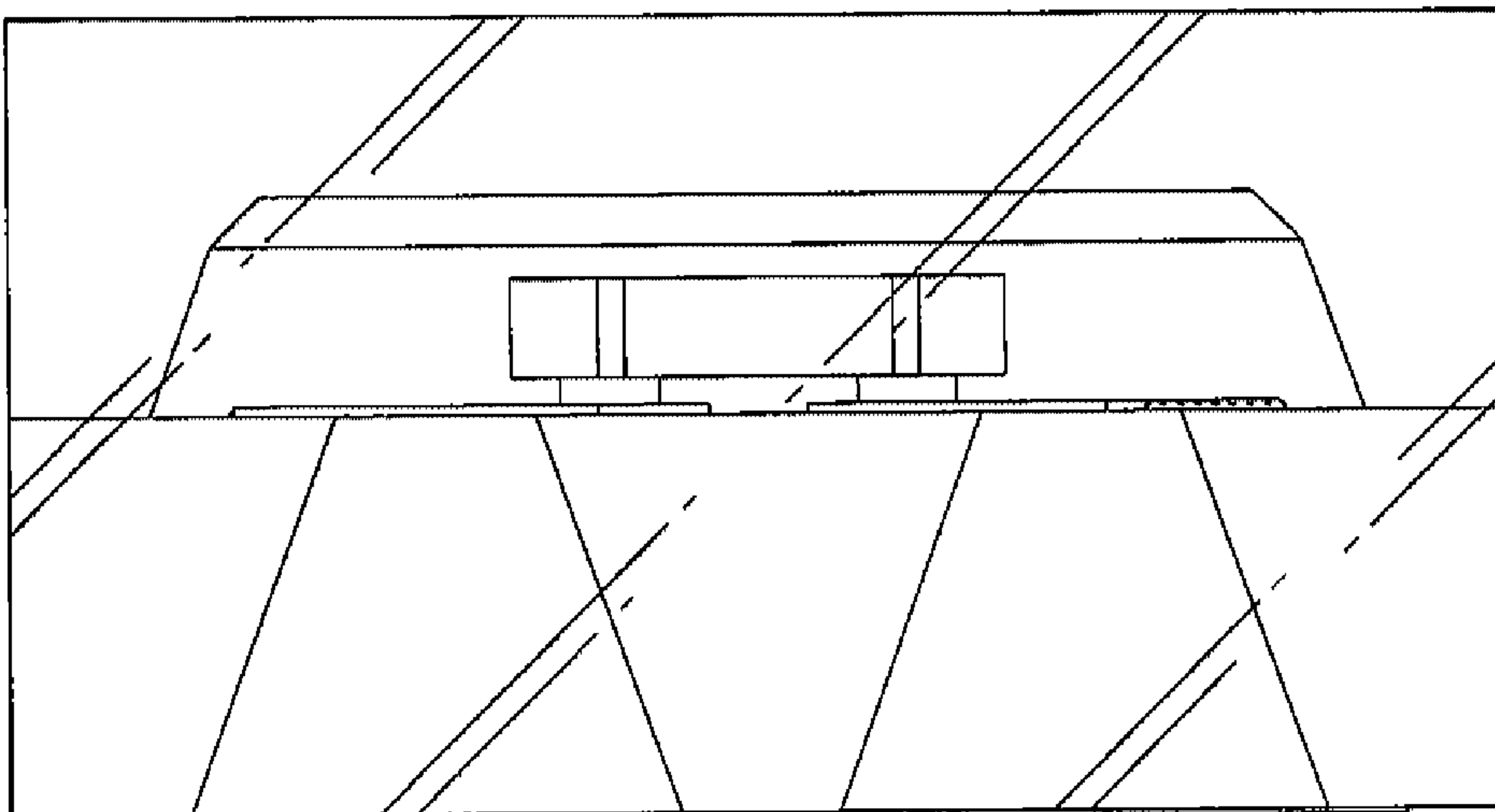


FIG. 6