



US00D646232S

(12) **United States Design Patent**  
**Felegy, Jr. et al.**

(10) **Patent No.:** **US D646,232 S**  
(45) **Date of Patent:** **\*\* \*Oct. 4, 2011**

(54) **REMOTE CONTROL**

(75) Inventors: **Edward M. Felegy, Jr.**, Macungie, PA (US); **Gregory M. Snyder**, Germansville, PA (US); **Gregory Altonen**, Easton, PA (US); **Elliot G. Jacoby**, Glenside, PA (US); **Noel Mayo**, Philadelphia, PA (US); **Joel S. Spira**, Coopersburg, PA (US)

(73) Assignee: **Lutron Electronics Co., Inc.**, Coopersburg, PA (US)

(\*) Notice: This patent is subject to a terminal disclaimer.

(\*\*) Term: **14 Years**

(21) Appl. No.: **29/360,748**

(22) Filed: **Apr. 30, 2010**

(51) **LOC (9) Cl.** ..... **14-03**

(52) **U.S. Cl.** ..... **D13/168**

(58) **Field of Classification Search** ..... D13/168;  
D10/104, 106; D14/218, 247; 340/825.22,  
340/825.24, 825.25, 825.31, 825.36, 825.69,  
340/825.72; 341/176; 455/352; 345/156,  
345/169; 348/734

See application file for complete search history.

(56) **References Cited**

**U.S. PATENT DOCUMENTS**

D320,786 S	10/1991	Darnell et al.
D323,488 S	1/1992	Darnell et al.
D370,663 S	6/1996	Swain et al.
D378,814 S	4/1997	Adams et al.
D395,037 S	6/1998	Mayo et al.
D436,579 S	1/2001	Mayo et al.
D437,585 S	2/2001	Mayo et al.
D450,043 S	11/2001	Mosebrook
D453,742 S	2/2002	Butler et al.
D461,782 S	8/2002	Butler et al.
D462,332 S	9/2002	Mayo et al.

D490,780 S	6/2004	Mayo et al.
D505,922 S	6/2005	Mayo et al.
D507,244 S	7/2005	Mayo et al.
D518,447 S	4/2006	Spira
D527,711 S	9/2006	Spira et al.
D538,756 S	3/2007	Mayo et al.
D539,238 S	3/2007	Mayo et al.
D592,606 S	5/2009	Felegy, Jr. et al.
D592,608 S	5/2009	Felegy, Jr. et al.
D592,611 S	5/2009	Altonen et al.
D596,143 S	7/2009	Felegy, Jr. et al.

(Continued)

**OTHER PUBLICATIONS**

U.S. Appl. No. 29/360,752, filed Apr. 30, 2010, Felegy, Jr. et al.

(Continued)

*Primary Examiner* — Selina Sikder

(74) *Attorney, Agent, or Firm* — Mark E. Rose; Philip N. Smith; Bridget L. McDonough

(57) **CLAIM**

We claim the ornamental design for a remote control, as shown and described.

**DESCRIPTION**

FIG. 1 is a perspective view of a remote control according to a first embodiment of our new design.

FIG. 2 is a front view thereof.

FIG. 3 is a rear view thereof.

FIG. 4 is a left side view thereof.

FIG. 5 is a right side view thereof.

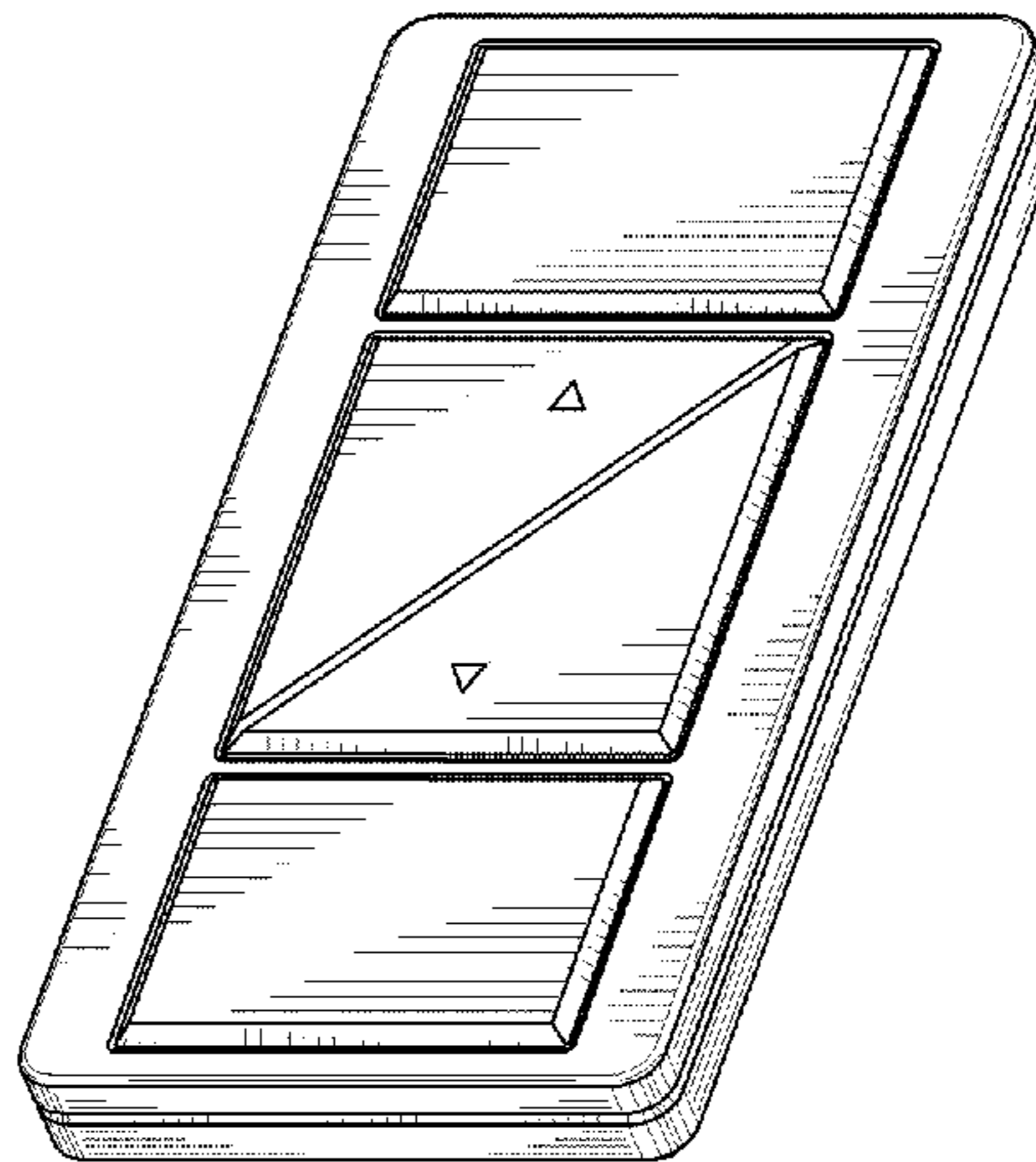
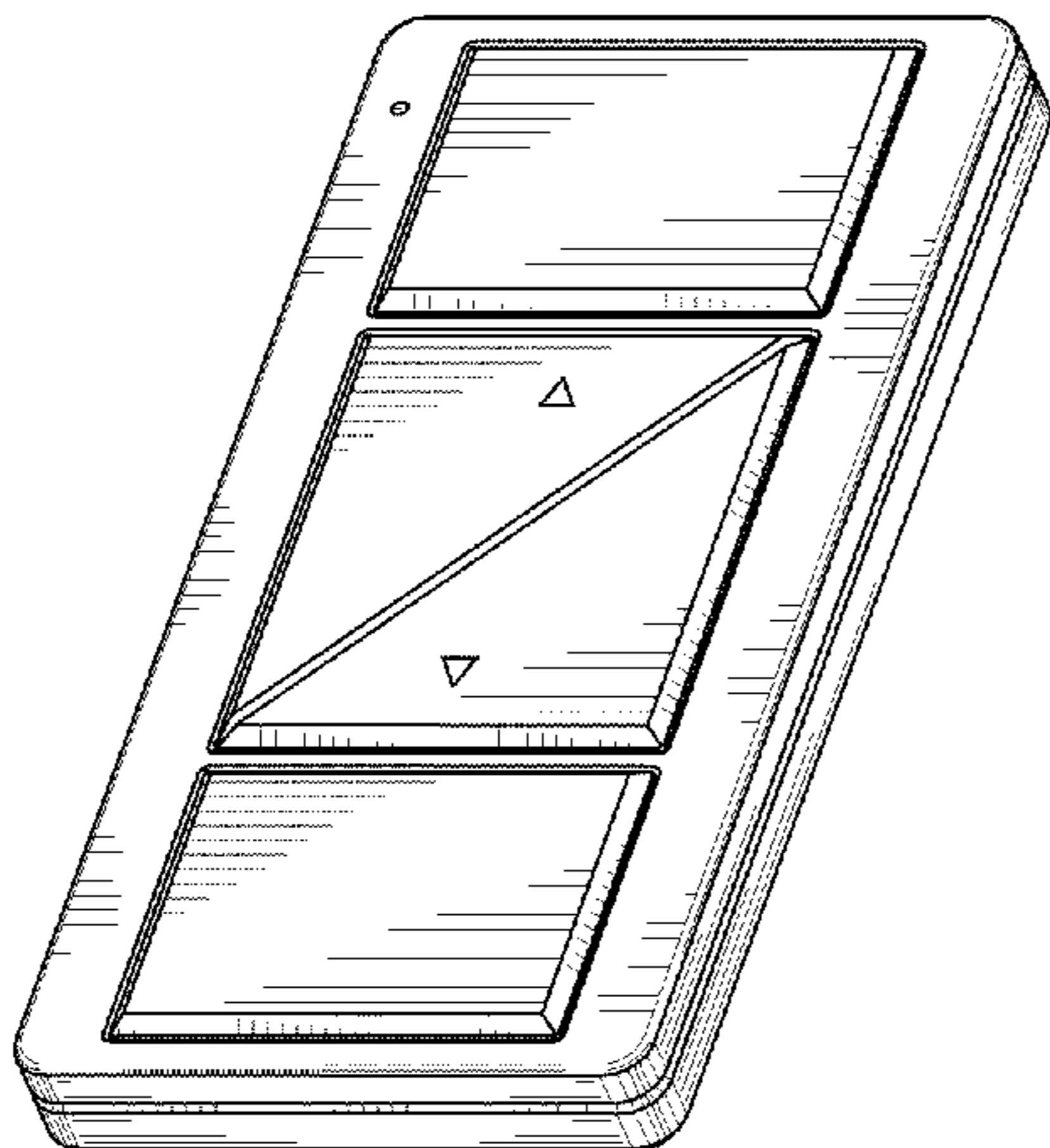
FIG. 6 is a top view thereof.

FIG. 7 is a bottom view thereof.

FIG. 8 is a perspective view of a remote control according to a second embodiment of our new design; and,

FIG. 9 is a front view thereof, the rear, left side, right side, top, and bottom views, respectively, of the second embodiment being identical to the rear, left side, right side, top, and bottom views of the first embodiment.

**1 Claim, 6 Drawing Sheets**



U.S. PATENT DOCUMENTS

D604,702 S 11/2009 Felegy, Jr. et al.  
D606,030 S 12/2009 Felegy, Jr. et al.  
D614,589 S 4/2010 Altonen et al.  
D615,046 S 5/2010 Felegy, Jr. et al.  
D616,835 S 6/2010 Felegy, Jr. et al.  
D616,836 S 6/2010 Felegy, Jr. et al.  
D619,105 S 7/2010 Felegy, Jr. et al.  
D619,106 S 7/2010 Felegy, Jr. et al.  
D631,856 S \* 2/2011 Altonen et al. .... D13/174

OTHER PUBLICATIONS

U.S. Appl. No. 29/360,753, filed Apr. 30, 2010, Altonen et al.  
U.S. Appl. No. 29/360,755, filed Apr. 30, 2010, Felegy, Jr. et al.

U.S. Appl. No. 29/360,782, filed Apr. 30, 2010, Lind, III et al.  
U.S. Appl. No. 29/360,784, filed Apr. 30, 2010, Lind, III et al.  
U.S. Appl. No. 29/363,118, filed Jun. 4, 2010, Blair et al.  
U.S. Appl. No. 29/363,120, filed Jun. 4, 2010, Blair et al.  
Lutron Electronics Co., Inc., RadioRA Visor Control Transmitter Specification Submittal Sheet, Jan. 2002, 2 pages.  
Lutron Electronics Co., Inc., RadioRA Visor Control Transmitter Installation Instruction Sheet, Nov. 2001, 2 pages.  
Lutron Electronics Co., Inc., Aurora Wireless Lighting Control Brochure, Nov. 2006, 2 pages.  
Lutron Electronics Co., Inc., Maestro Wireless Remote Lighting Control Brochure, Sep. 2007, 2 pages.

\* cited by examiner

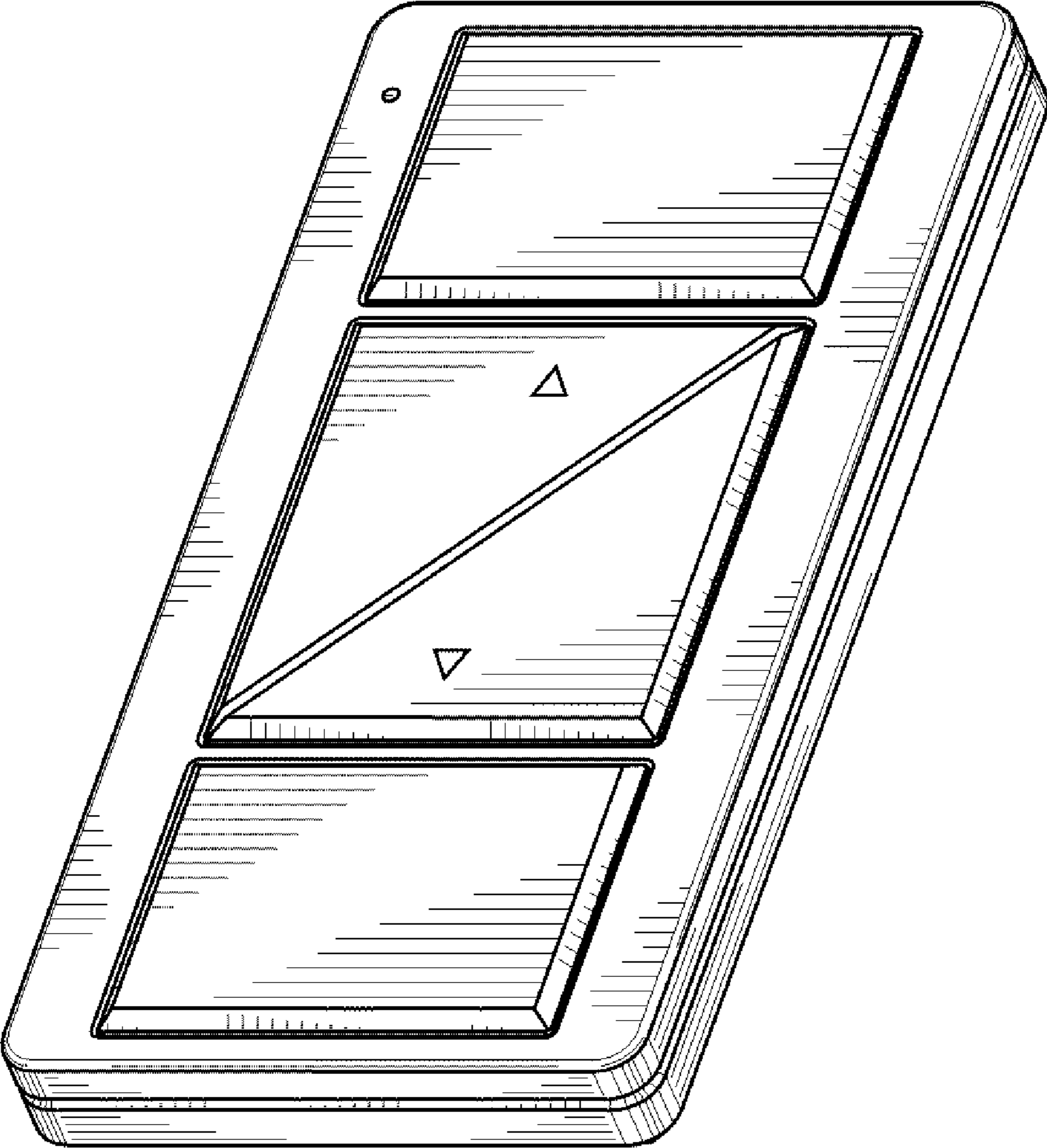


Fig. 1

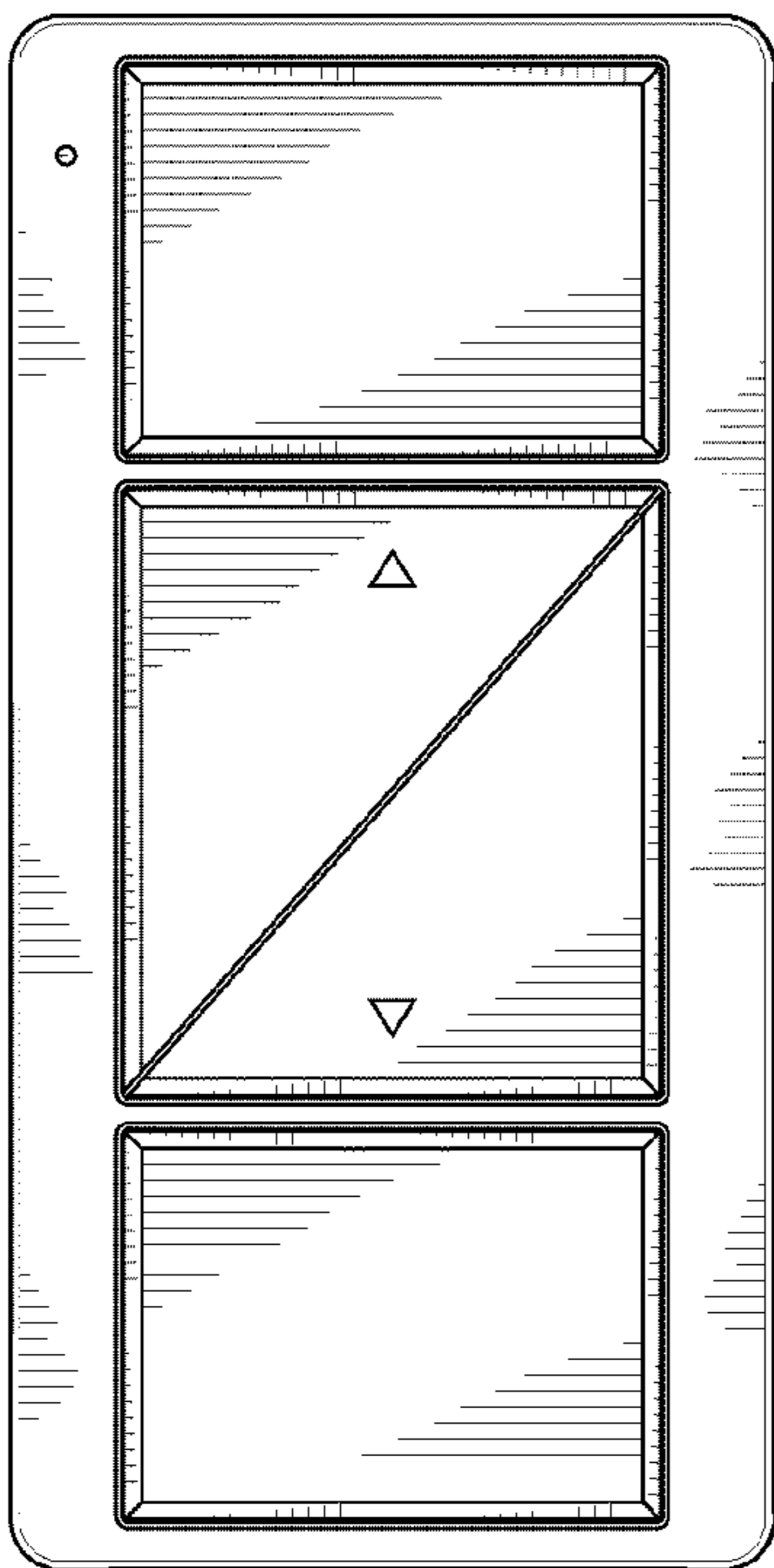


Fig. 2

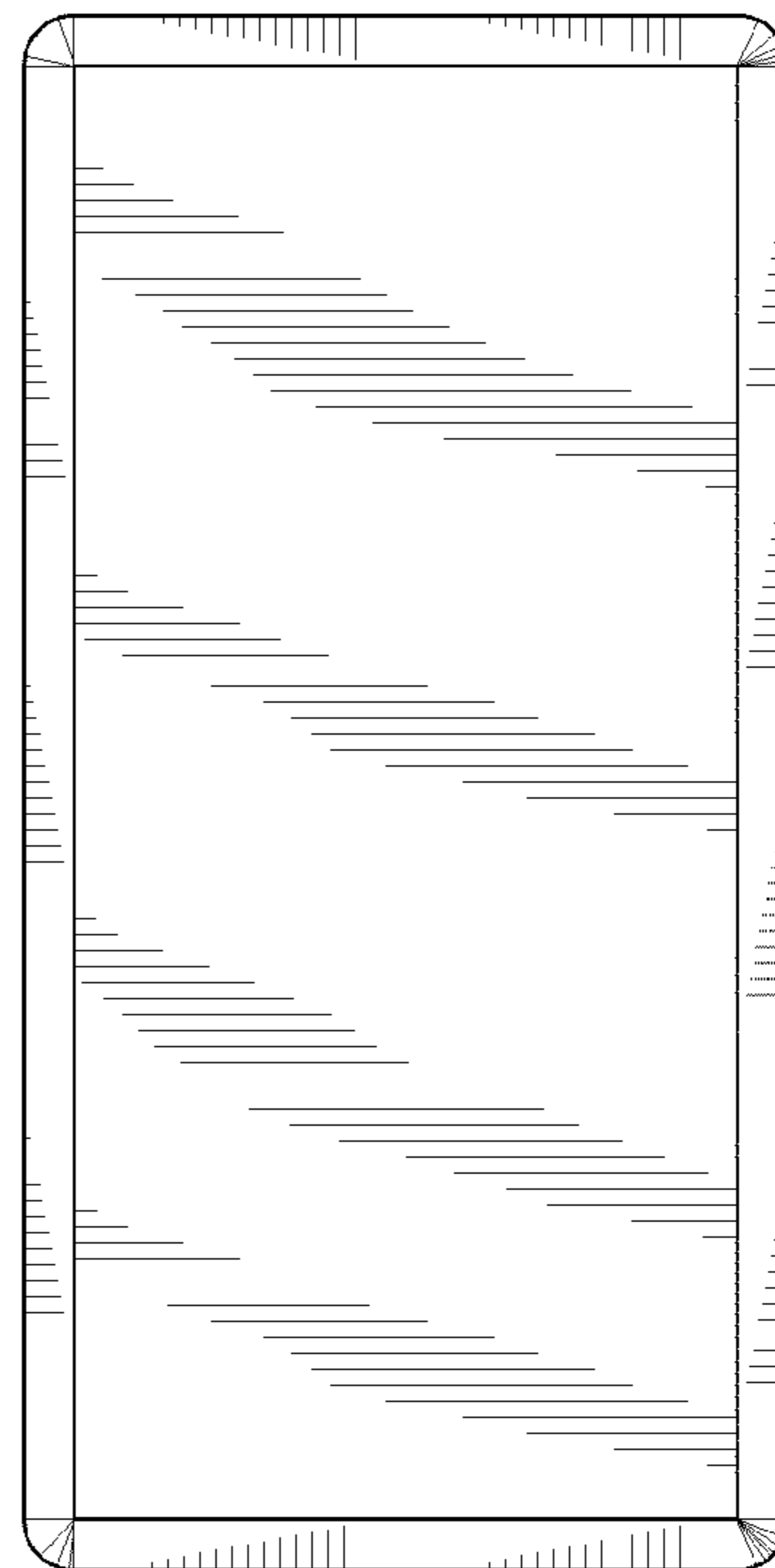


Fig. 3

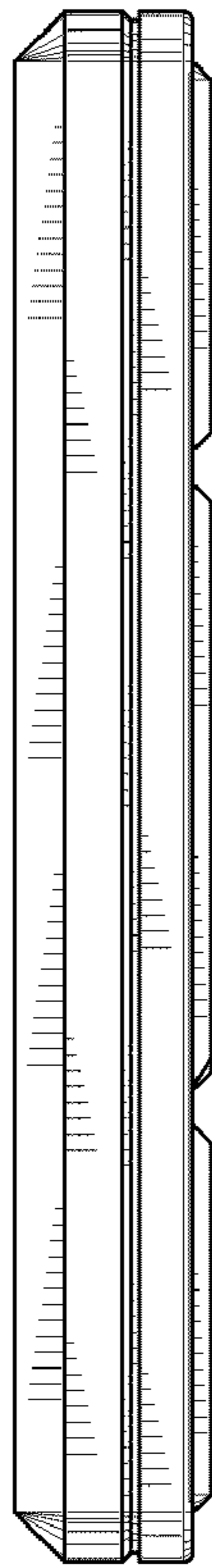


Fig. 4

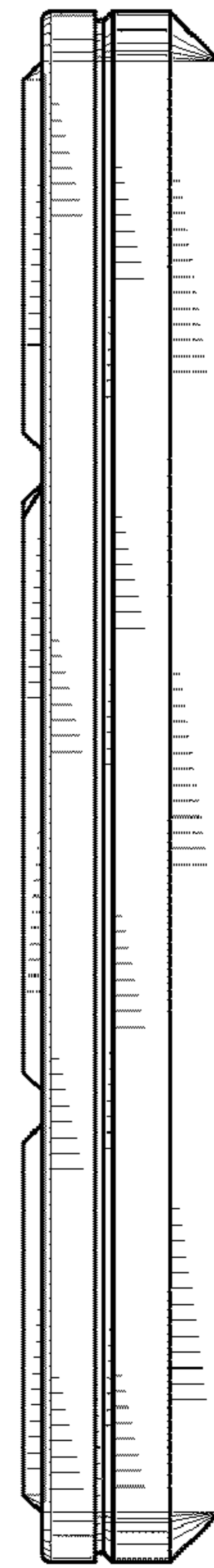


Fig. 5

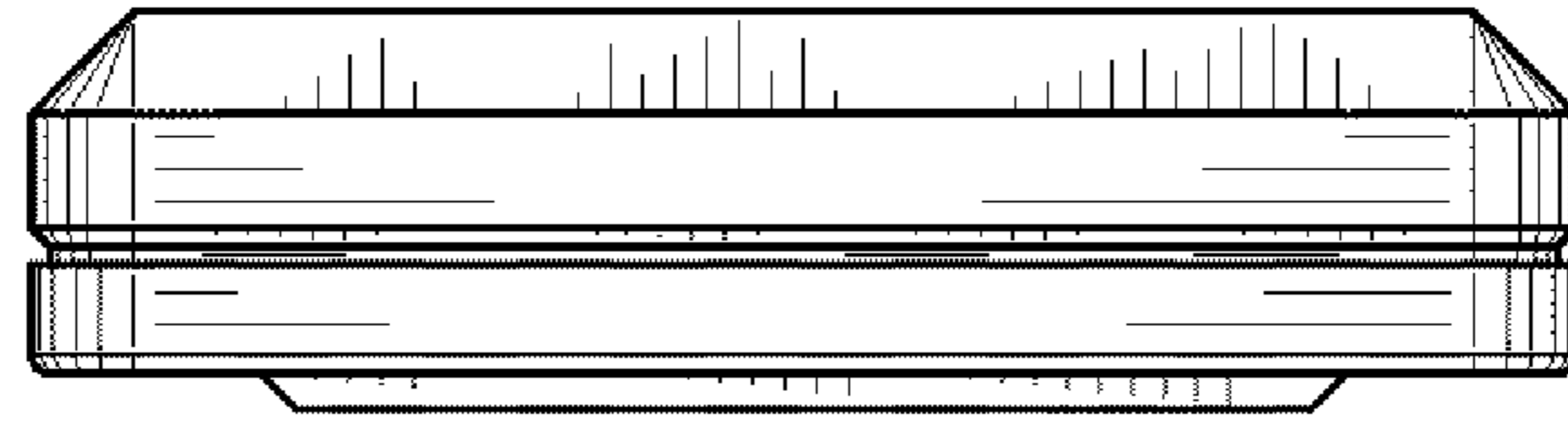


Fig. 6

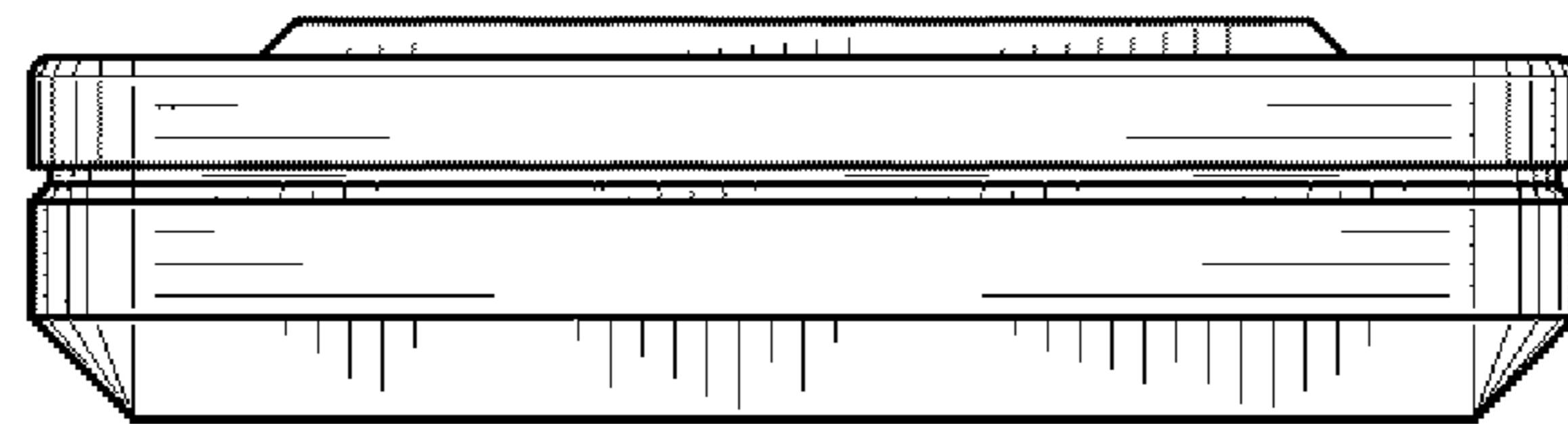


Fig. 7

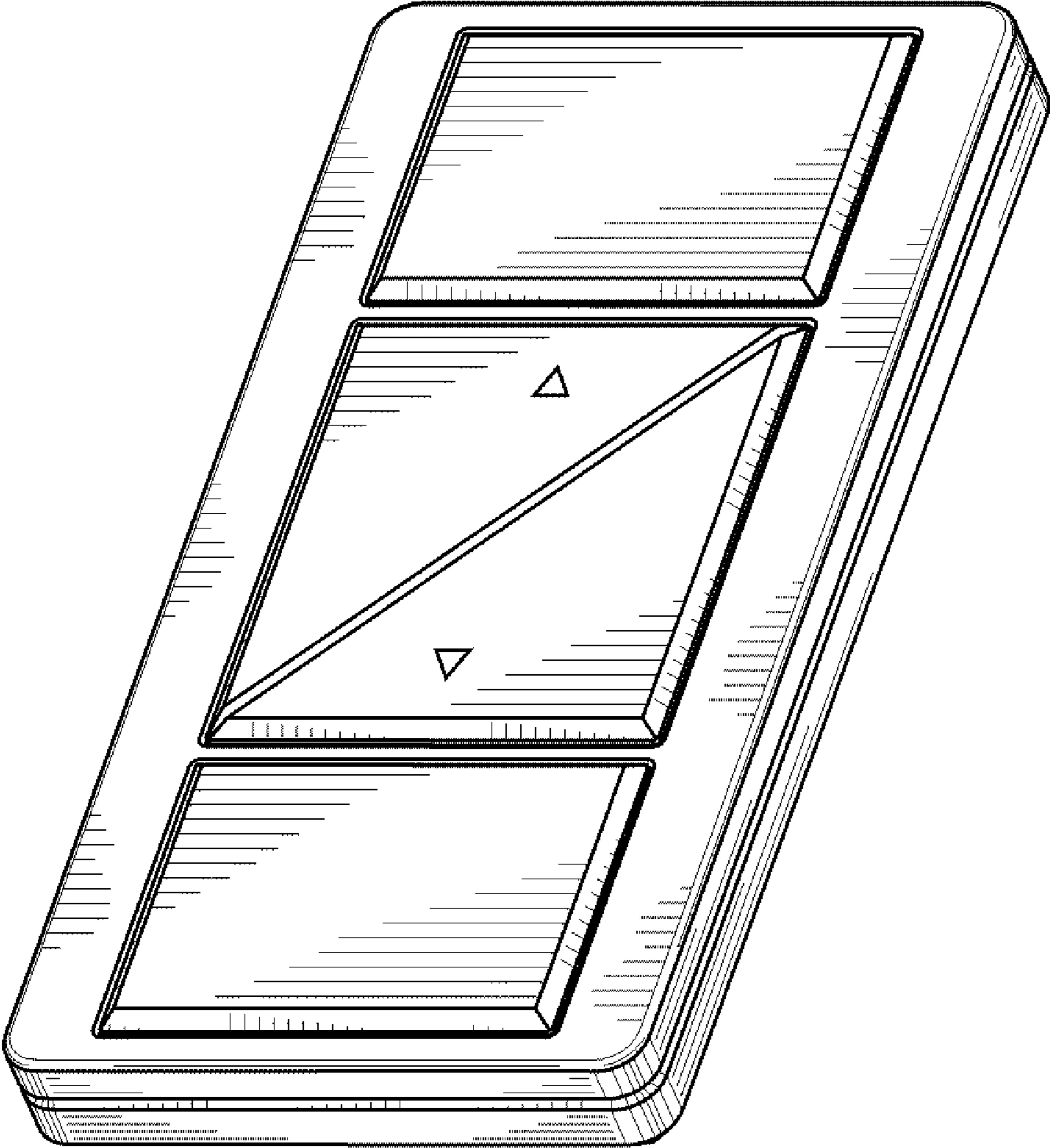


Fig. 8

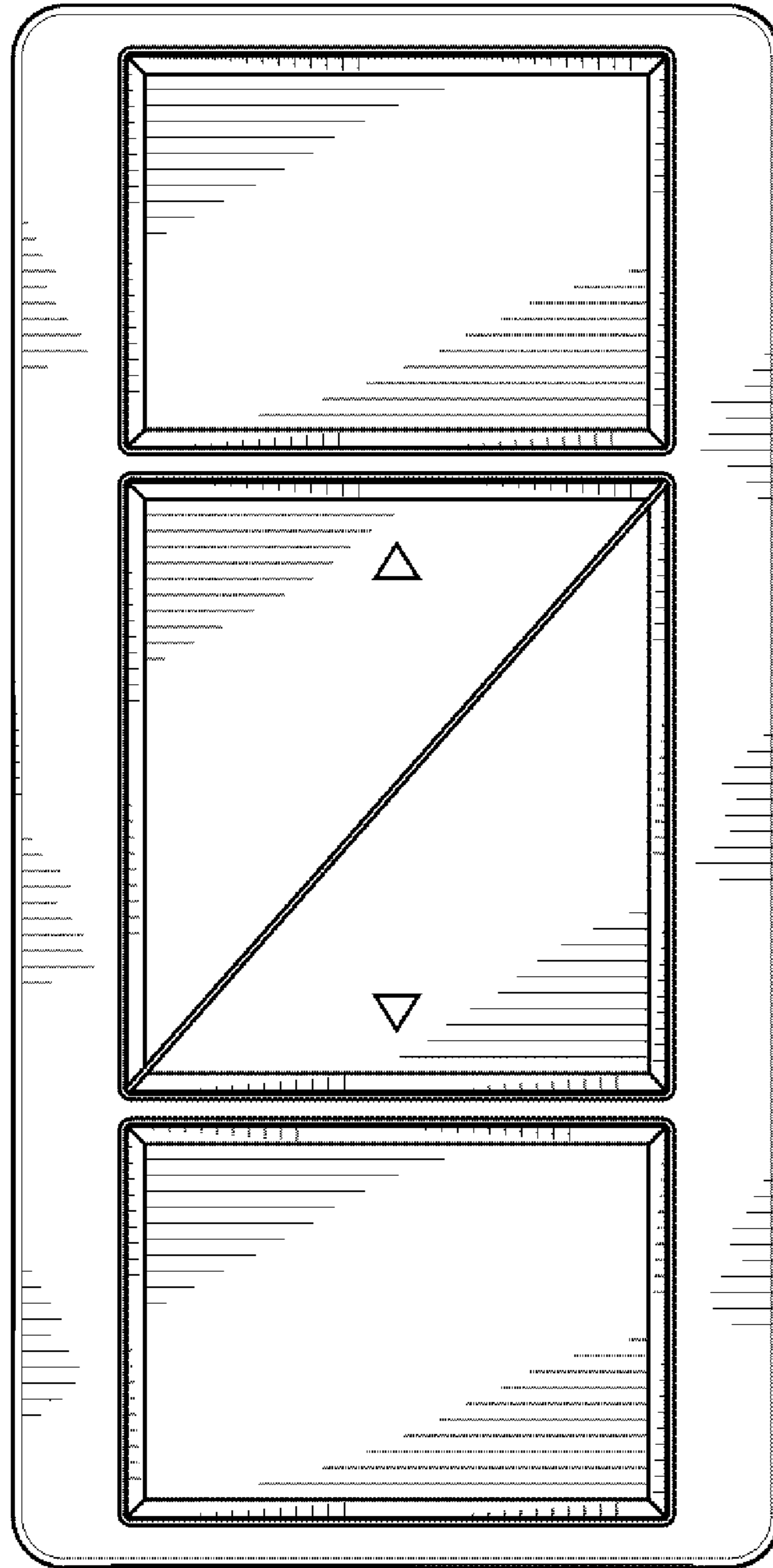


Fig. 9