



US00D646231S

(12) **United States Design Patent**
Chou

(10) **Patent No.:** **US D646,231 S**

(45) **Date of Patent:** **** Oct. 4, 2011**

(54) **ELECTRICAL DEVICE**

(75) Inventor: **Cheng-Lung Chou**, Great Neck, NY (US)

(73) Assignee: **Leviton Manufacturing Co., Inc.**, Melville, NY (US)

(**) Term: **14 Years**

(21) Appl. No.: **29/384,691**

(22) Filed: **Feb. 2, 2011**

Related U.S. Application Data

(62) Division of application No. 29/338,204, filed on Jun. 5, 2009, now Pat. No. Des. 634,276.

(51) **LOC (9) Cl.** **13-03**

(52) **U.S. Cl.** **D13/162; D13/177**

(58) **Field of Classification Search** D13/158, D13/162, 164, 168, 177, 184, 199; D14/388, D14/485-495; D12/192-195; D8/302, 315; 200/1 R, 5 R, 52 R, 81 R, 81.4, 83, 83 Q, 200/315, 310, 6 A, 302.1, 308, 314, 317, 200/520; 296/153; 297/411.21; 307/10.1; 362/501, 23, 276, 29, 464, 802, 85; D18/24-33; D19/6, 9, 10, 52; D20/11; D21/324-333; 715/700-867, 973-977; D10/85, 96; D23/233
See application file for complete search history.

(56) **References Cited**

U.S. PATENT DOCUMENTS

3,473,107 A 10/1969 Smalley
(Continued)

FOREIGN PATENT DOCUMENTS

CA 124072 8/2008
(Continued)

OTHER PUBLICATIONS

Intermatic DT121C Digital Plug In Timer, Product Fact Sheet, Intermatic Incorporated, Spring Grove, IL, Aug. 1, 2003.

(Continued)

Primary Examiner — Thomas Johannes

(74) *Attorney, Agent, or Firm* — Marger Johnson & McCollom PC

(57) **CLAIM**

The ornamental design for an electrical device, as shown and described.

DESCRIPTION

A portion of the disclosure of this patent document contains material which is subject to copyright protection. The copyright owner has no objection to the facsimile reproduction by anyone of the patent disclosure, as it appears in the Patent and Trademark Office patent files or records, but otherwise reserves all copyright rights whatsoever.

FIG. 1 is a front elevation view of a first embodiment of an electrical device showing my new design in a first state;

FIG. 2 is a left side elevation view thereof;

FIG. 3 is a right side elevation view thereof;

FIG. 4 is a top plan view thereof;

FIG. 5 is a bottom plan view thereof;

FIG. 6 is a front perspective view thereof;

FIG. 7 is a front elevation view thereof in a second state;

FIG. 8 is a left side elevation view thereof;

FIG. 9 is a right side elevation view thereof;

FIG. 10 is a top plan view thereof;

FIG. 11 is a bottom plan view thereof;

FIG. 12 is a front perspective view thereof;

FIG. 13 is a front elevation view of a second embodiment of an electrical device showing my new design in a first state;

FIG. 14 is a left side elevation view thereof;

FIG. 15 is a right side elevation view thereof;

FIG. 16 is a top plan view thereof;

FIG. 17 is a bottom plan view thereof;

FIG. 18 is a front perspective view thereof;

FIG. 19 is a front elevation view thereof in a second state;

FIG. 20 is a left side elevation view thereof;

FIG. 21 is a right side elevation view thereof;

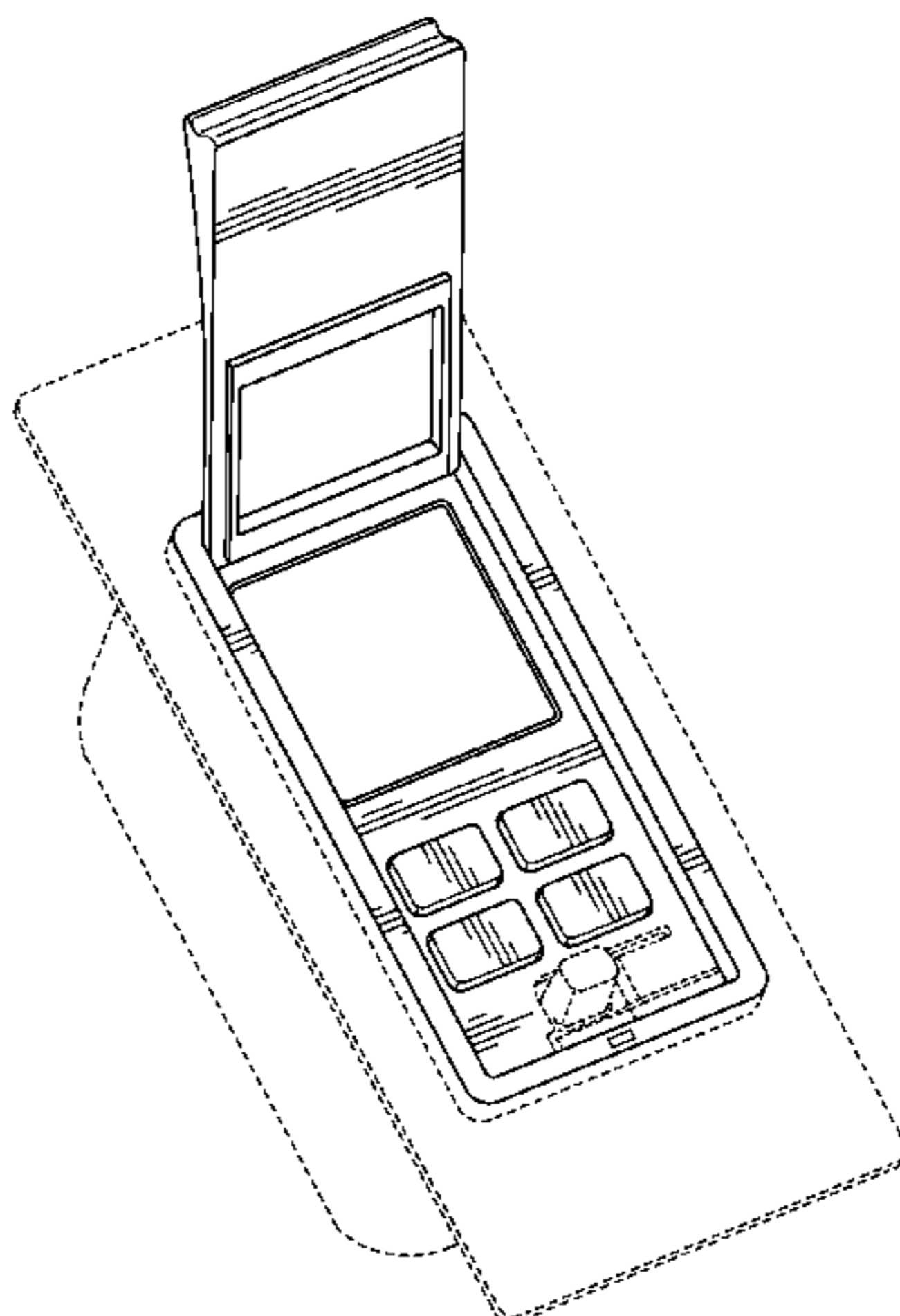
FIG. 22 is a top plan view thereof;

FIG. 23 is a bottom plan view thereof; and,

FIG. 24 is a front perspective view thereof.

The broken lines in the drawings show unclaimed subject matter only and form no part of the claimed design.

1 Claim, 18 Drawing Sheets



US D646,231 S

Page 2

U.S. PATENT DOCUMENTS			FOREIGN PATENT DOCUMENTS		
3,555,367	A	1/1971 Watson	6,761,470	B2	7/2004 Sid
3,598,937	A	8/1971 Balchunas	D500,686	S	1/2005 Stekelenburg
3,711,761	A	1/1973 Watson	D500,687	S	1/2005 Morrison et al.
3,740,680	A	6/1973 Schneidinger	D505,135	S	5/2005 Sapp et al.
3,939,361	A	2/1976 Aidala et al.	6,903,284	B2	6/2005 Dunfield et al.
3,979,601	A	9/1976 Franklin	6,917,167	B2	7/2005 Courtney et al.
3,988,553	A	10/1976 Astle	6,933,686	B1	8/2005 Bishel
4,002,925	A	1/1977 Monahan	D514,121	S	1/2006 Johnson
4,112,313	A	9/1978 Kutin	D518,395	S	4/2006 Yamada
4,194,182	A	3/1980 Martin	7,111,952	B2	9/2006 Veskovc
4,336,464	A	6/1982 Weber	D530,339	S	10/2006 Hernandez et al.
4,338,562	A	7/1982 Terwilliger	D534,875	S	1/2007 Wu
4,349,748	A	9/1982 Goldstein et al.	7,166,970	B2	1/2007 Johnson et al.
4,360,739	A	11/1982 Goldstein	D538,822	S	3/2007 Andre et al.
4,368,408	A	1/1983 Marcus	7,251,142	B2	7/2007 Lui
D268,025	S	2/1983 Bevilaqua et al.	D554,659	S	11/2007 Hoover et al.
D268,668	S	4/1983 Bevilaqua et al.	D554,660	S	11/2007 Hoover et al.
4,422,018	A	12/1983 Bailey	D554,661	S	11/2007 Hoover et al.
4,439,688	A	3/1984 Schornack	D561,193	S	2/2008 O'Mullan et al.
D273,488	S	4/1984 Rosenbaum et al.	D566,722	S	4/2008 Jackson
D273,581	S	4/1984 Rosenbaum et al.	D571,821	S	6/2008 Amacker
4,440,503	A	4/1984 Arichi et al.	7,386,424	B2	6/2008 DeBoer et al.
4,494,012	A	1/1985 Coker	D574,395	S	8/2008 Loretan et al.
RE31,848	E	3/1985 Nilssen	D576,565	S	9/2008 Chou et al.
4,533,972	A	8/1985 Ohashi	D576,566	S	9/2008 Wu et al.
D285,419	S	9/1986 Schwartz	D580,451	S	11/2008 Steele et al.
4,668,878	A	5/1987 Wyss	D581,425	S	11/2008 Jasinski
4,712,019	A	12/1987 Nilssen	D581,426	S	11/2008 Jasinski
D294,043	S	2/1988 Haines	D585,075	S	1/2009 Flynt et al.
4,777,384	A	10/1988 Altenhof et al.	D587,660	S	3/2009 Lin
4,835,413	A	5/1989 Nilssen	D589,829	S	4/2009 Friedli
4,922,407	A	5/1990 Birk et al.	D598,396	S	8/2009 Lee
4,950,913	A	8/1990 Kephart	D598,927	S	8/2009 Hirsch et al.
5,059,871	A	10/1991 Pearlman et al.	D602,014	S	10/2009 Andre et al.
D321,855	S	11/1991 Ross	D606,028	S	12/2009 Chou
5,063,355	A	11/1991 Sasaki et al.	D606,029	S	12/2009 Chou
5,088,071	A	2/1992 Miyamoto et al.	D608,793	S	1/2010 Canu-Chiesa
5,160,853	A	11/1992 Simon et al.	D609,650	S	2/2010 Chou et al.
5,191,265	A	3/1993 D'Aleo et al.	D611,003	S	3/2010 Muirhead et al.
5,258,656	A	11/1993 Pawlick	D611,845	S	3/2010 Sadler et al.
5,397,930	A	3/1995 Nilssen	D611,899	S	3/2010 Yang
5,430,356	A	7/1995 Ference et al.	D614,192	S	4/2010 Takano et al.
5,508,878	A	4/1996 Pecore	D614,652	S	4/2010 Arnell
5,530,322	A	6/1996 Ference et al.	D614,653	S	4/2010 Arnell
D380,396	S	7/1997 Svarnias et al.	D615,100	S	5/2010 Canu-Chiesa
D380,403	S	7/1997 Svarnias et al.	D618,901	S	7/2010 Leifeld et al.
5,650,716	A	7/1997 Kim	D618,902	S	7/2010 Leifeld et al.
5,662,213	A	9/1997 Kattler et al.	D618,903	S	7/2010 Leifeld et al.
D386,430	S	11/1997 Czerlanis et al.	D618,904	S	7/2010 Leifeld et al.
D389,073	S	1/1998 Schmidt et al.	D619,350	S	7/2010 Leifeld et al.
5,715,214	A	2/1998 Svarnias	D619,614	S	7/2010 O'Mullan et al.
D402,902	S	12/1998 Chen	D619,800	S	7/2010 Leifeld et al.
D402,903	S	12/1998 Chen	D619,972	S	7/2010 Felegy et al.
D406,775	S	3/1999 Kadono	2004/0002792	A1	1/2004 Hoffknecht
D408,303	S	4/1999 Janda et al.	2005/0023118	A1	2/2005 Dunfield et al.
D409,505	S	5/1999 Janda et al.	2005/0110416	A1	5/2005 Veskovc
D418,497	S	1/2000 Howard et al.	2006/0125324	A1	6/2006 Lai Lui
6,011,755	A	1/2000 Mulhall et al.	2006/0146652	A1	7/2006 Huizi et al.
6,046,550	A	4/2000 Ference et al.	2007/0097793	A1	5/2007 Nguy et al.
6,121,889	A	9/2000 Janda et al.	2007/0193863	A1	8/2007 Wu
D435,524	S	12/2000 Korhonen	2008/0061633	A1	3/2008 Blair et al.
D445,745	S	7/2001 Norman	2008/0077360	A1	3/2008 DeBoer et al.
6,262,496	B1	7/2001 Lamar et al.	2009/0213698	A1	8/2009 Ostrovsky et al.
6,262,497	B1	7/2001 Muroi et al.			
D449,235	S	10/2001 Stekelenburg			
D449,541	S	10/2001 Stekelenburg			
D450,604	S	11/2001 Stekelenburg			
6,340,868	B1	1/2002 Lys et al.			
D455,359	S	4/2002 Stekelenburg			
6,388,952	B2	5/2002 Kim			
6,429,549	B1	8/2002 Muroi et al.			
6,448,987	B1	9/2002 Easty et al.			
D464,360	S	10/2002 Grundel et al.			
D464,577	S	10/2002 Timmer et al.			
D467,821	S	12/2002 Ogawa			
D476,995	S	7/2003 Kreikemeier et al.			
D484,817	S	1/2004 Stekelenburg			
D493,471	S	7/2004 McIntosh			
			EP	0167848	B1 8/1988
			EP	0156864	B1 11/1988
			EP	0316913	A2 5/1989
			EP	0376409	A2 7/1990
			EP	0141655	B1 2/1991
			EP	0259639	B1 2/1991
			EP	0394654	B1 2/1993
			EP	0745914	B1 3/1999
			EP	0730209	B1 4/1999
			EP	1734795	A1 12/2006
			WO	8102808	A1 10/1981
			WO	2004086195	A2 10/2004
			WO	2006074118	A2 7/2006

OTHER PUBLICATIONS

- Intermatic General Catalog, Indoor Plug-In Timers, Intermatic Incorporated, Spring Grove, IL, 2008, p. 178.
- Intermatic Model DT500CH Series Digital Timer, Installation and User Instructions, Aug. 12, 2009, Intermatic Incorporated, Spring Grove, Illinois, US.
- Intermatic Model DT500CH Series Digital Timer, Installation and User Instructions, Jun. 4, 2009, Intermatic Incorporated, Spring Grove, Illinois, US.
- Intermatic Model DT500CH Series Digital Timer, Installation and User Instructions, Intermatic Incorporated, Oct. 27, 2009, 4 pages.
- Intermatic Model DT500CL Series Digital Timer, Installation and User Instructions, Aug. 12, 2009, Intermatic Incorporated, Spring Grove, Illinois, US.
- Intermatic Model DT500CL Series Digital Timer, Installation and User Instructions, Jun. 4, 2009, Intermatic Incorporated, Spring Grove, Illinois, US.
- Intermatic NE5C Plug In Photo Control, Product Fact Sheet, Intermatic Incorporated, Spring Grove, IL, Jun. 12, 2002.
- Leviton 6124H-W, Product Specifications/Info, 2007, Leviton Manufacturing Co., Inc., Melville, NY, US.
- Leviton Residential Catalog, 2008, pp. 43-53, 76-77, 198-203 and 213-217, Leviton Manufacturing Co., Inc., Melville, NY, US.
- Vizia-RF Scene Capable Plug-in Appliance and Lamp Dimming Modules, Leviton Manufacturing Co., Inc., Little Neck, NY, 2006, 4 pages.
- Wireless Occupancy Sensor Products Installation Instructions, 2008, Leviton Manufacturing Co., Inc., Melville, NY, US.
- Wireless Sensing Solution, 2008, Leviton Manufacturing Co., Inc., Melville, NY, US.
- Wireless Wall Switch Receiver and Self-Powered Remote Switch, 2008, Leviton Manufacturing Co., Inc., Melville, NY, US.
- Intermatic Digital In-Wall Timer ST01C, [online], 2010 retrieved on Jul. 22, 2010 from the Internet: <http://www.intermatic.com/products/timers/consumer%20indoor%20timers/in-wall%20timers/st01c.aspx>, 1 page.
- Intermatic Electronic 7-Day In-Wall Time Switch, E1500 Series, 2003, 6 pages.
- Intermatic Electronic In-Wall Time Switch, EI Series, Sep. 9, 2010, 4 pages.

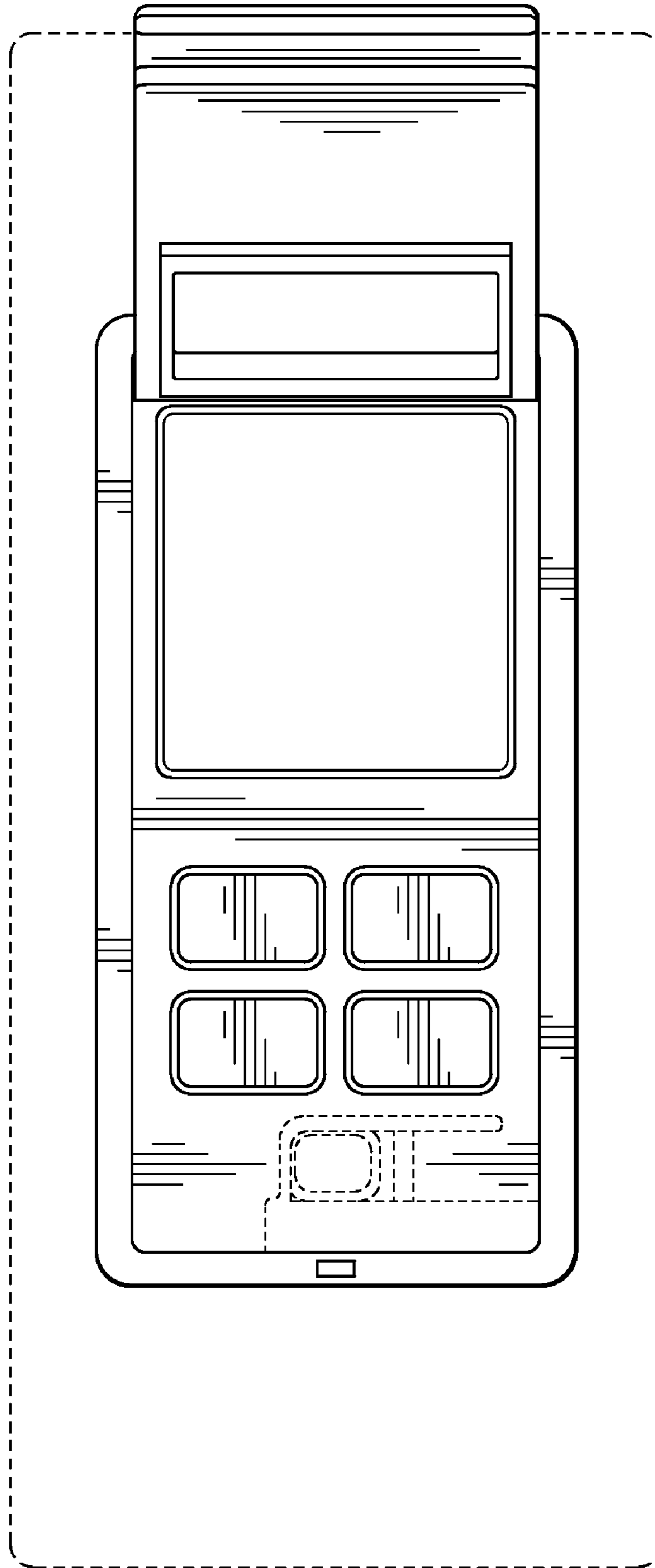


FIG. 1

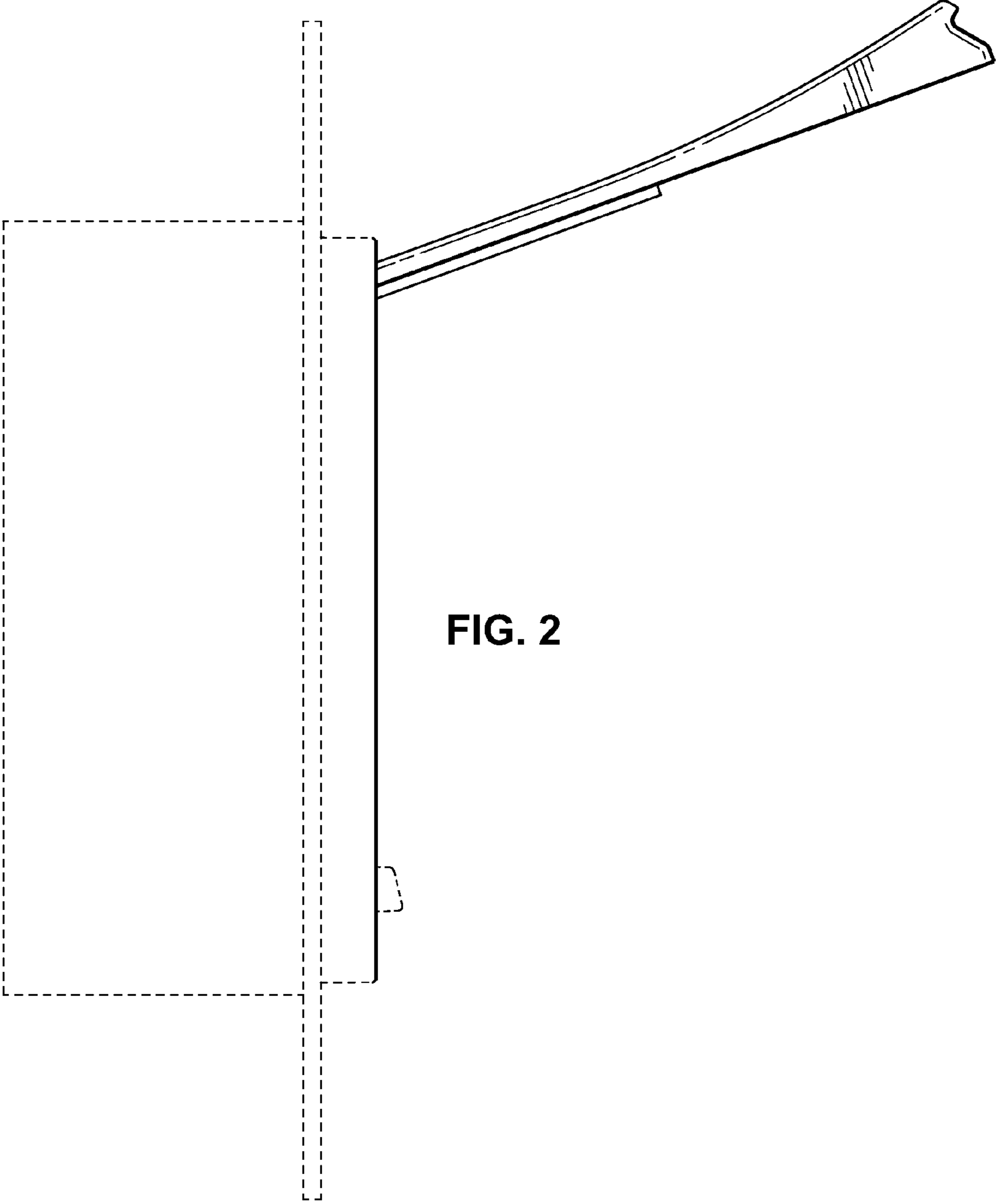


FIG. 2

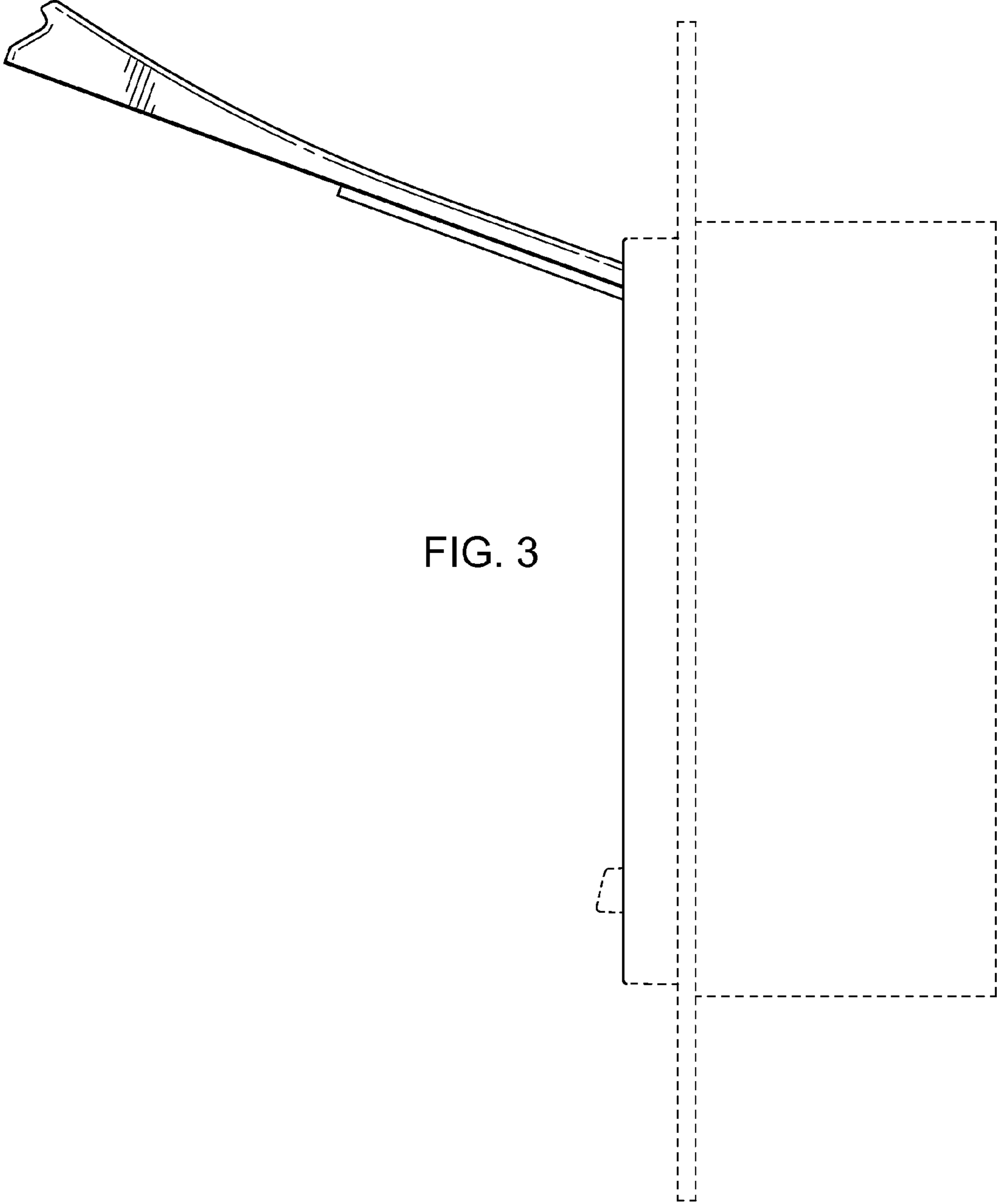


FIG. 3

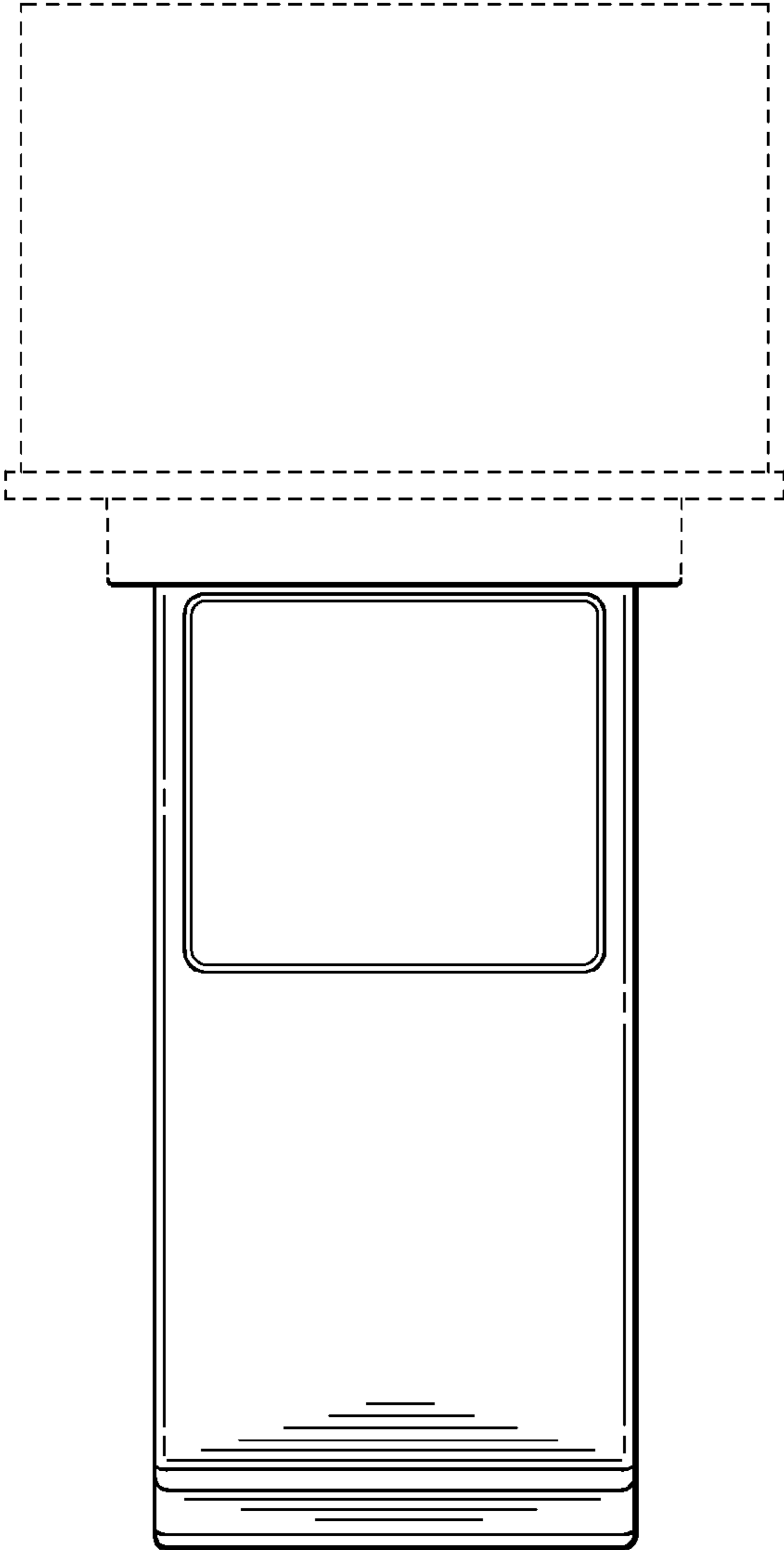


FIG. 4

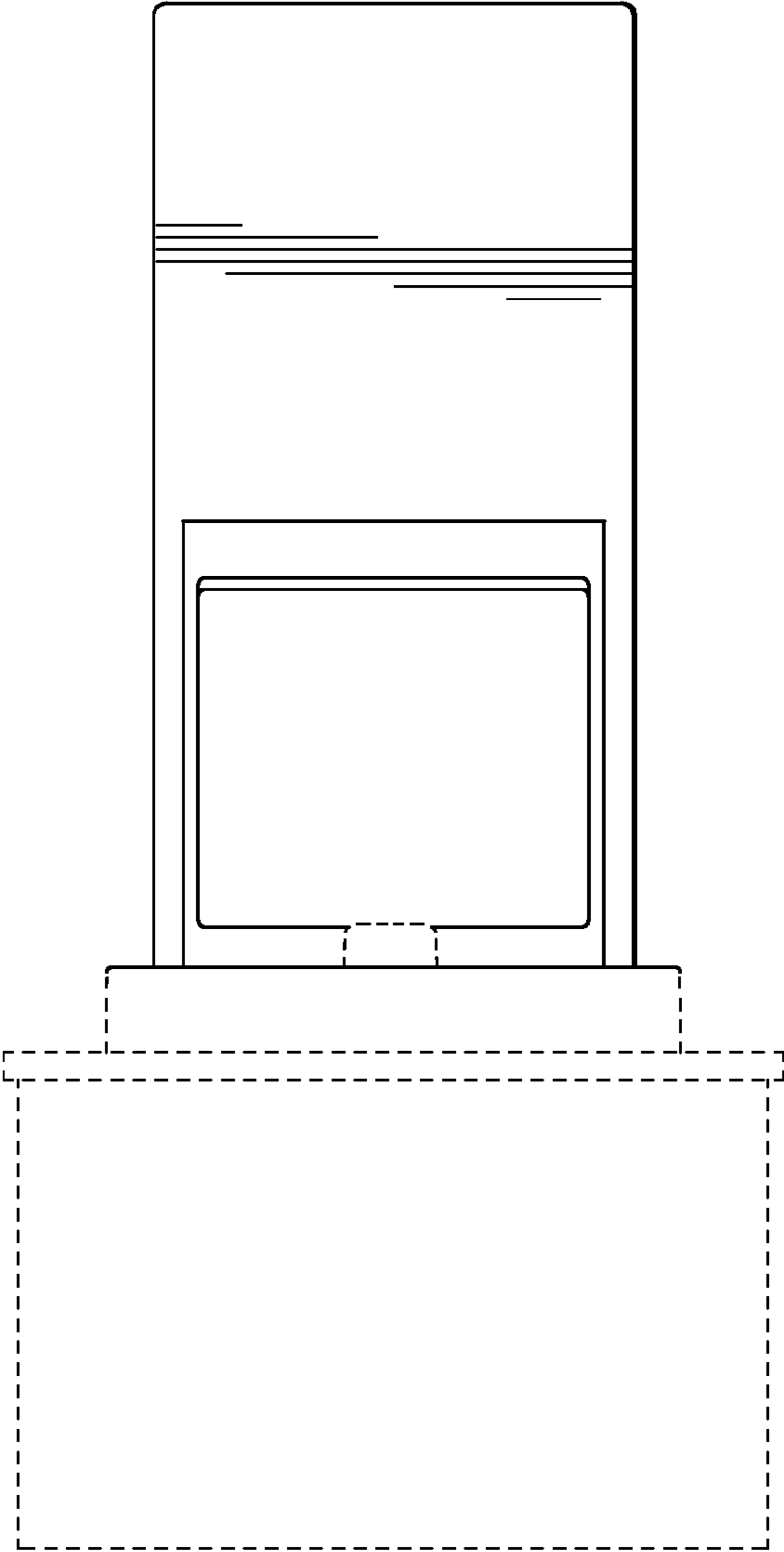


FIG. 5

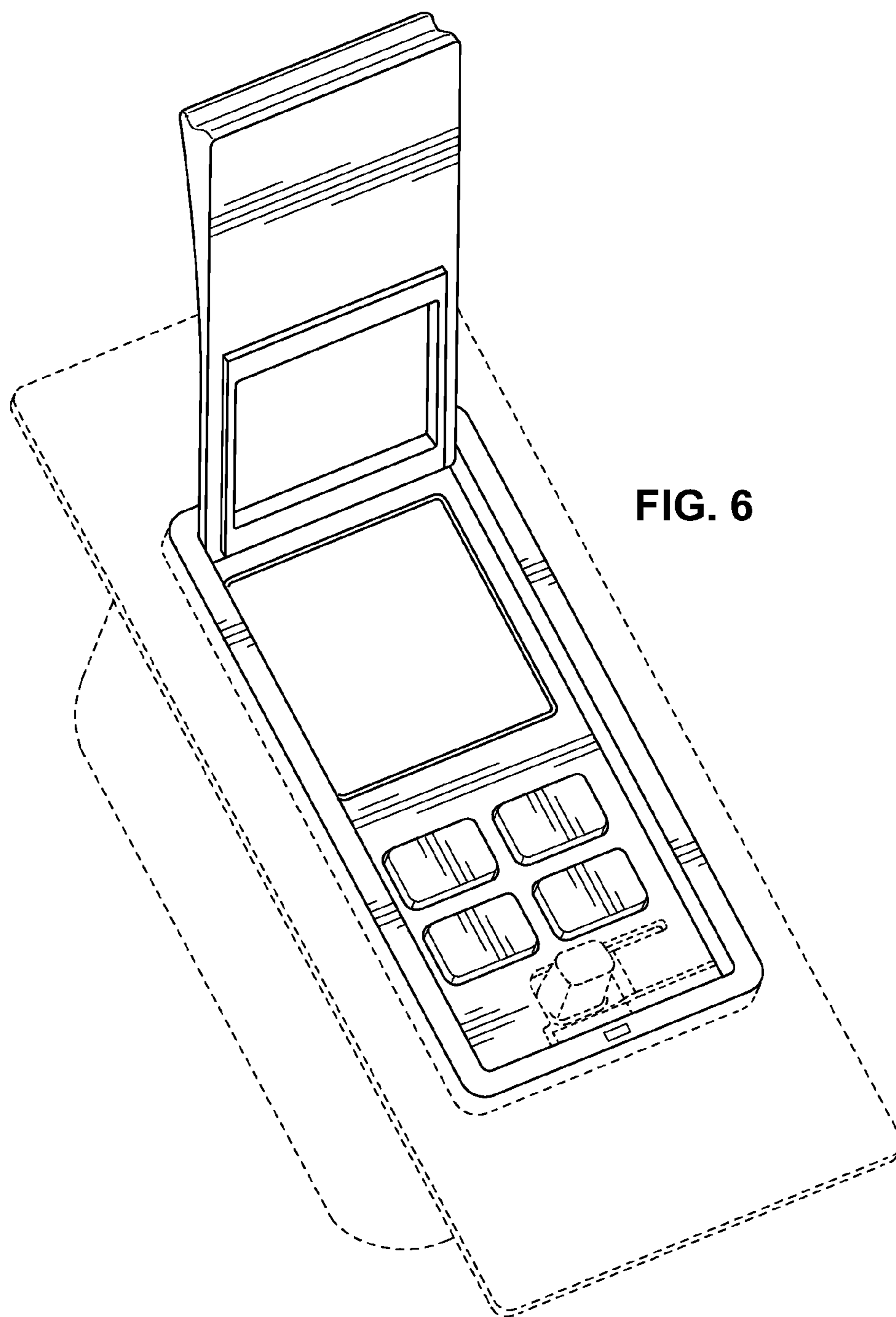


FIG. 6

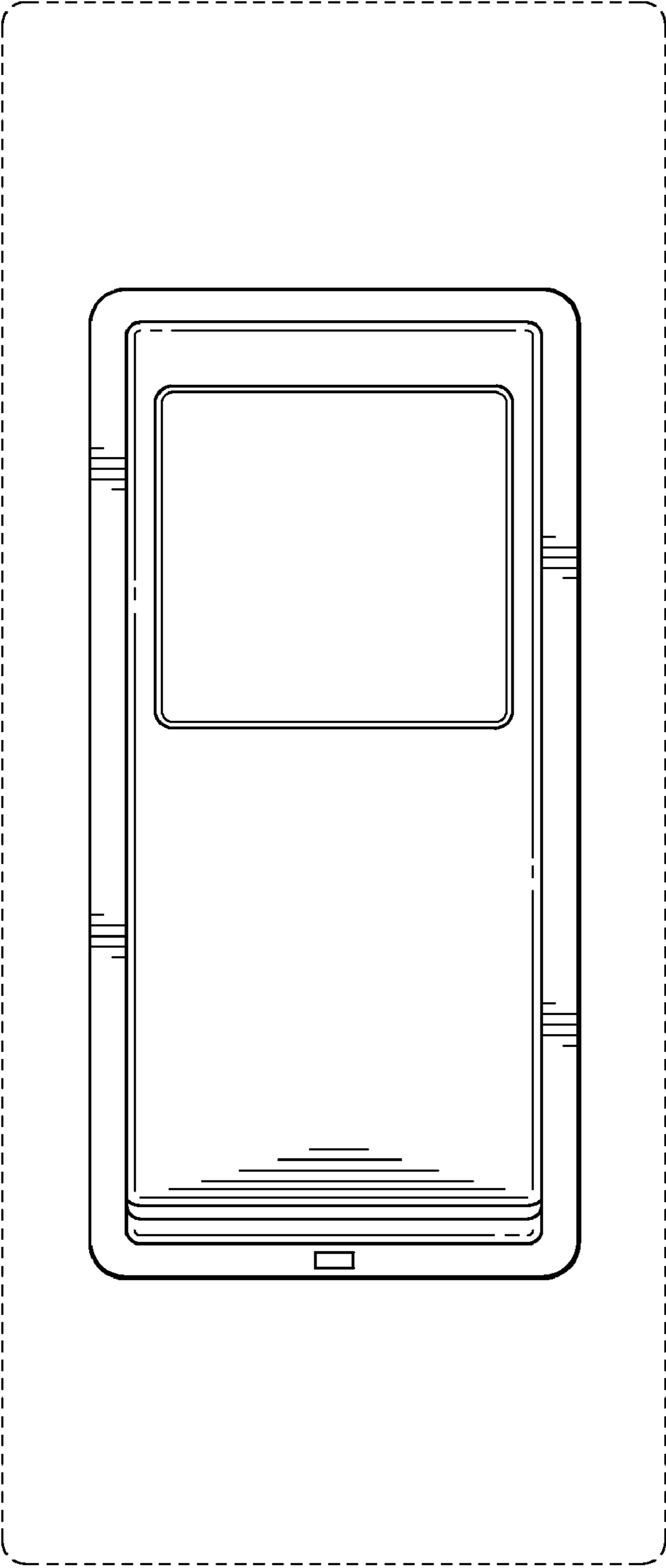


FIG. 7

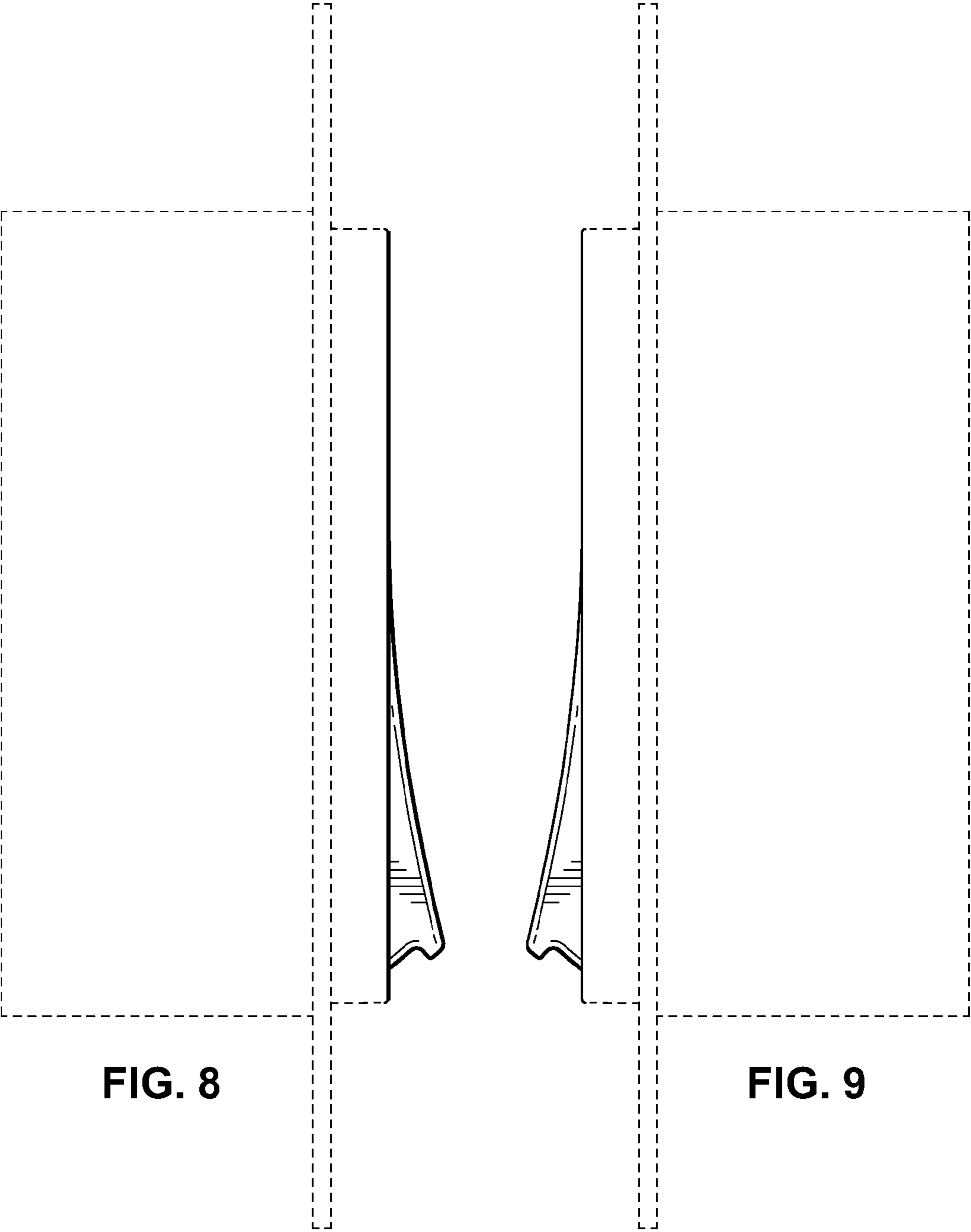


FIG. 8

FIG. 9

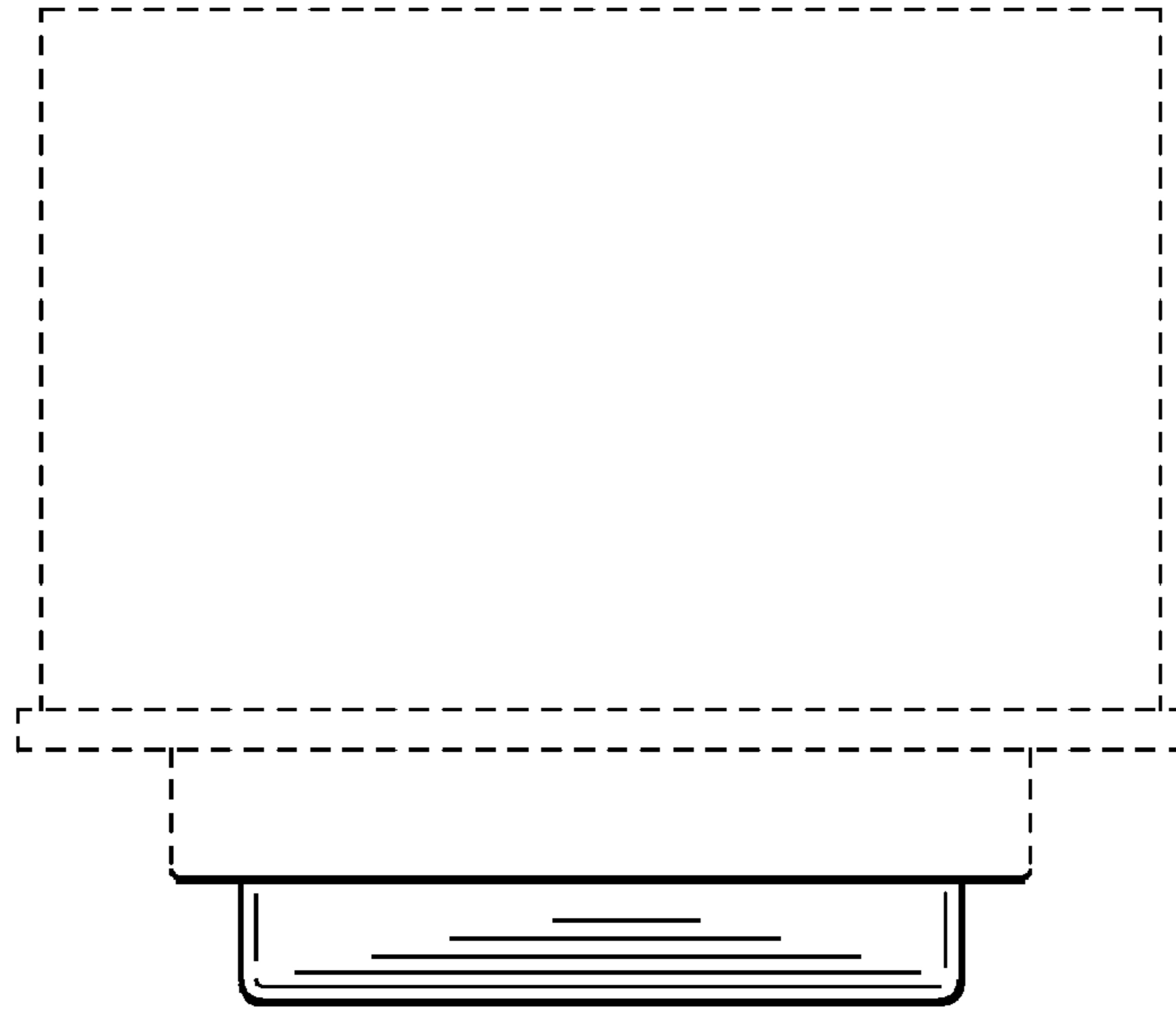


FIG. 10

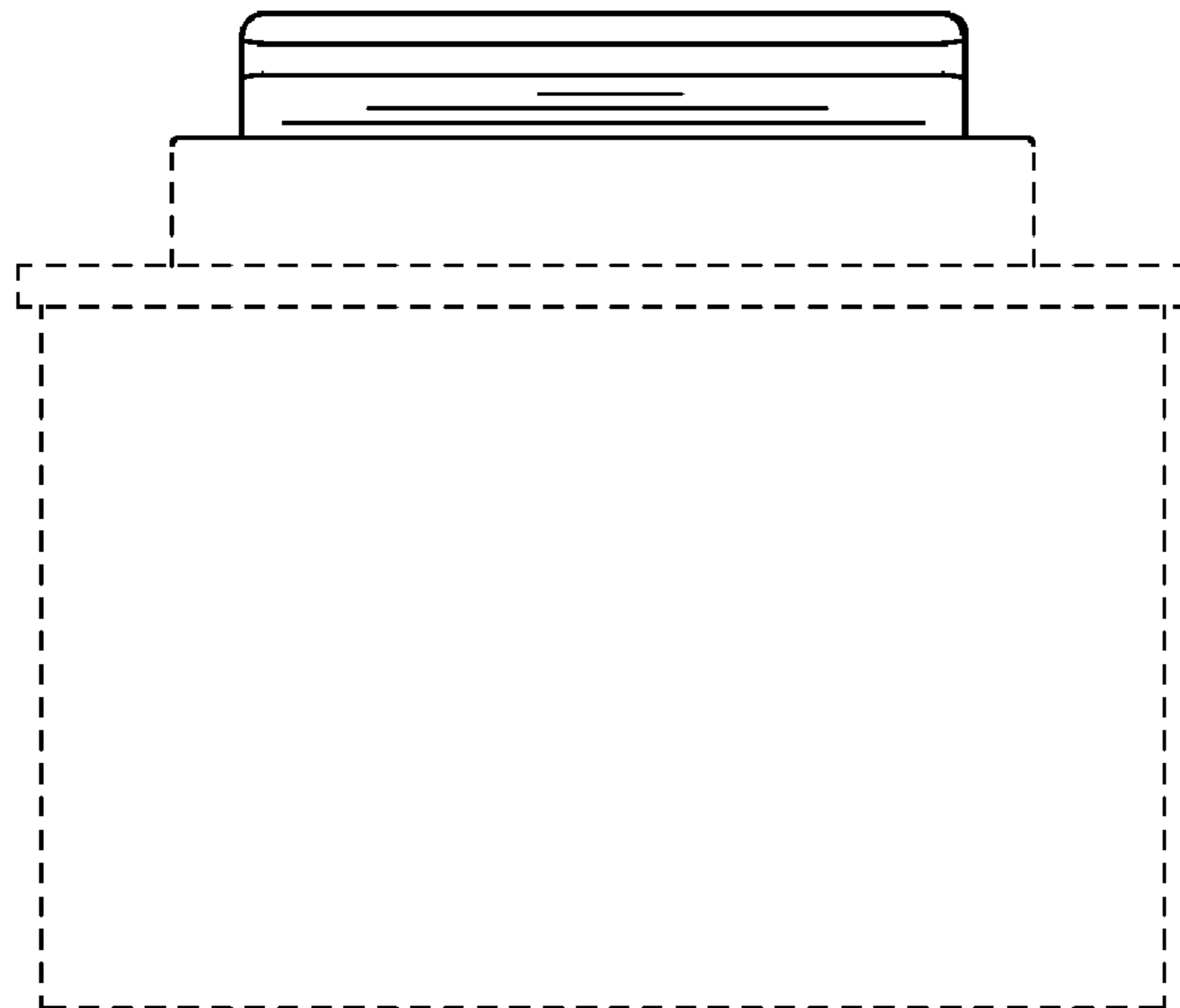


FIG. 11

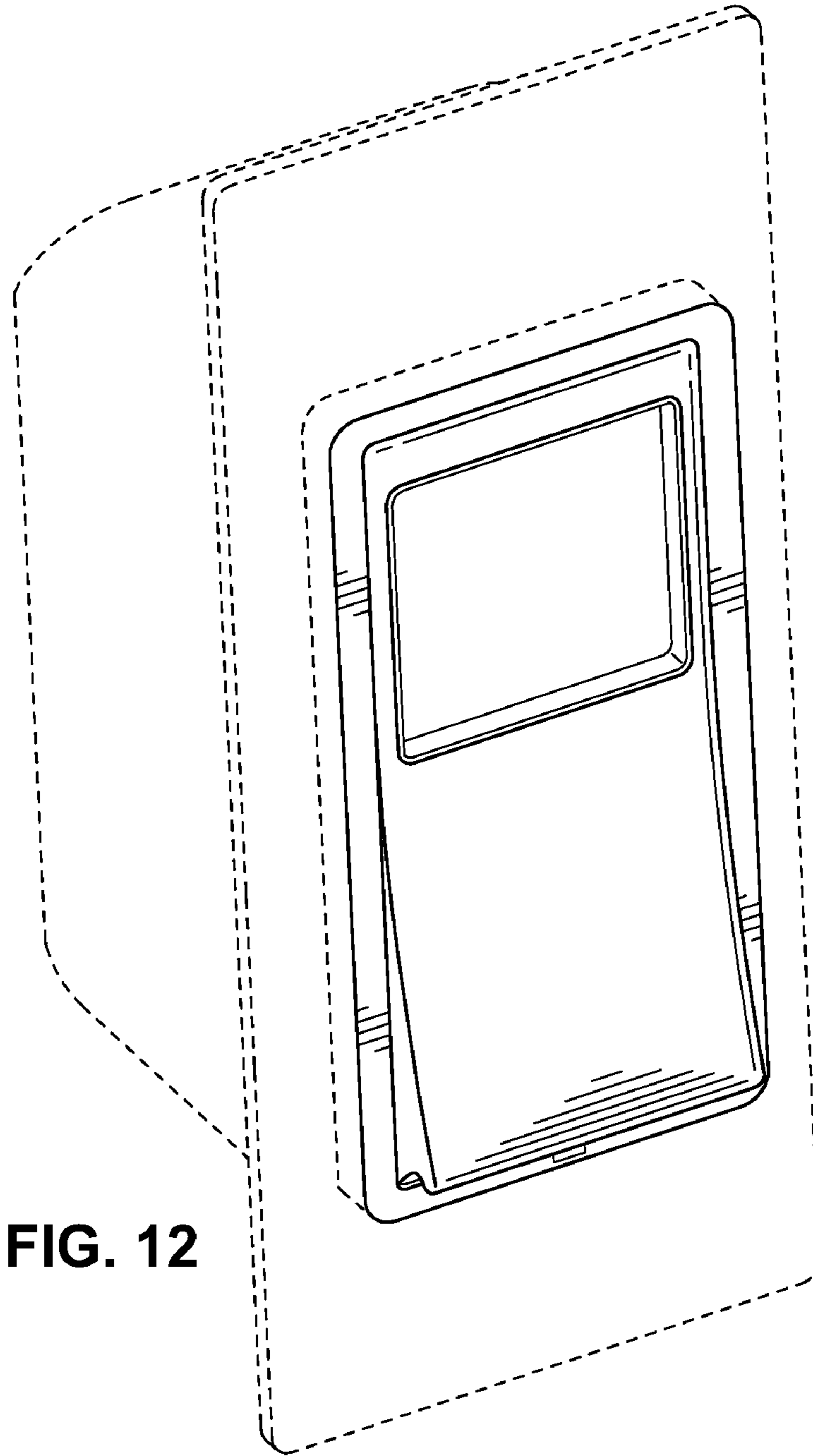


FIG. 12

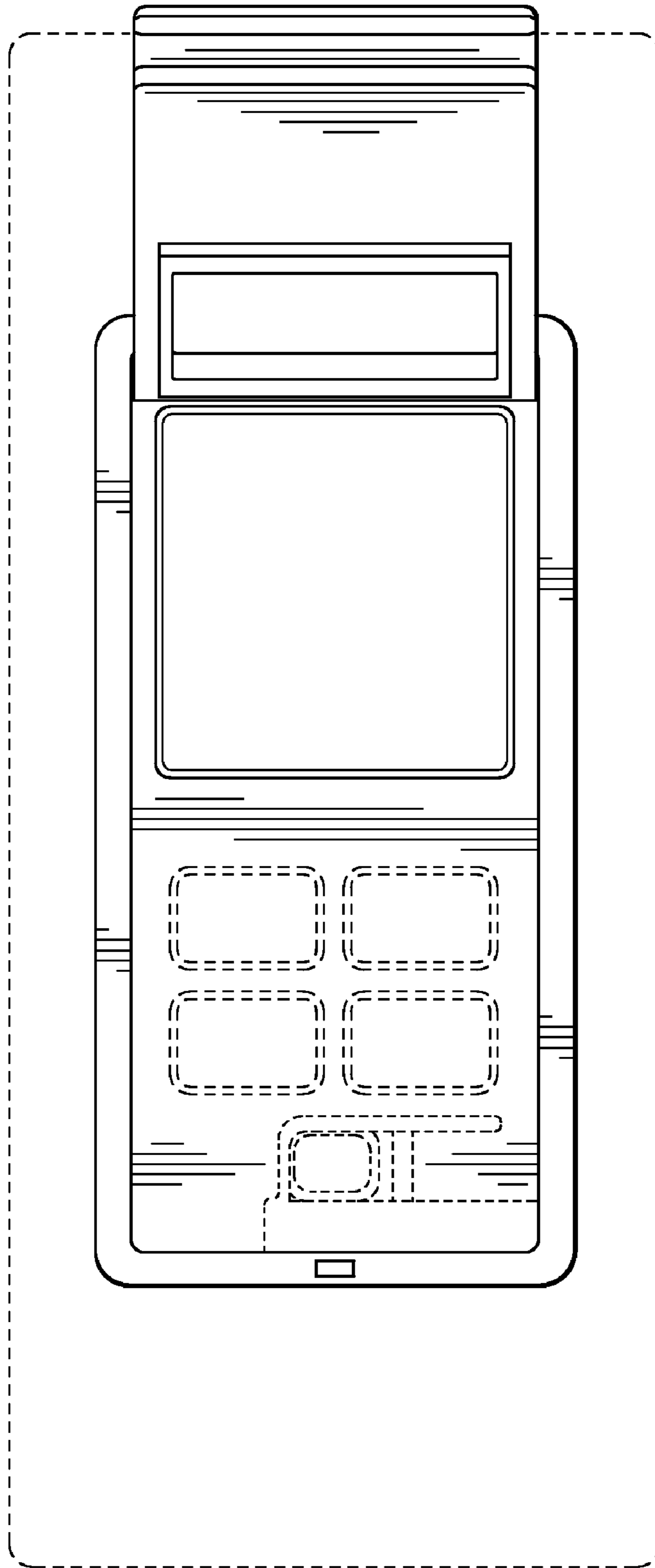


FIG. 13

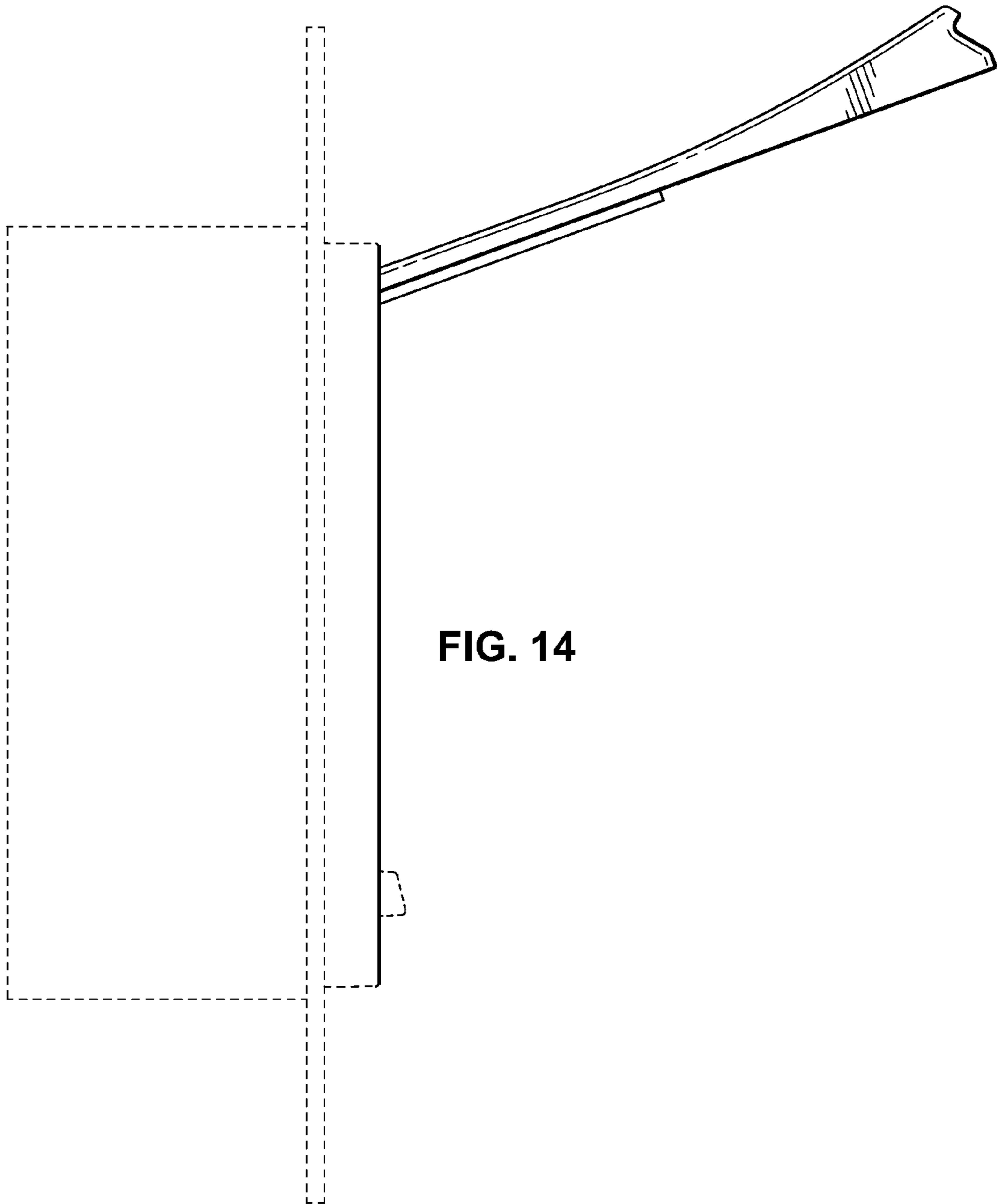


FIG. 14

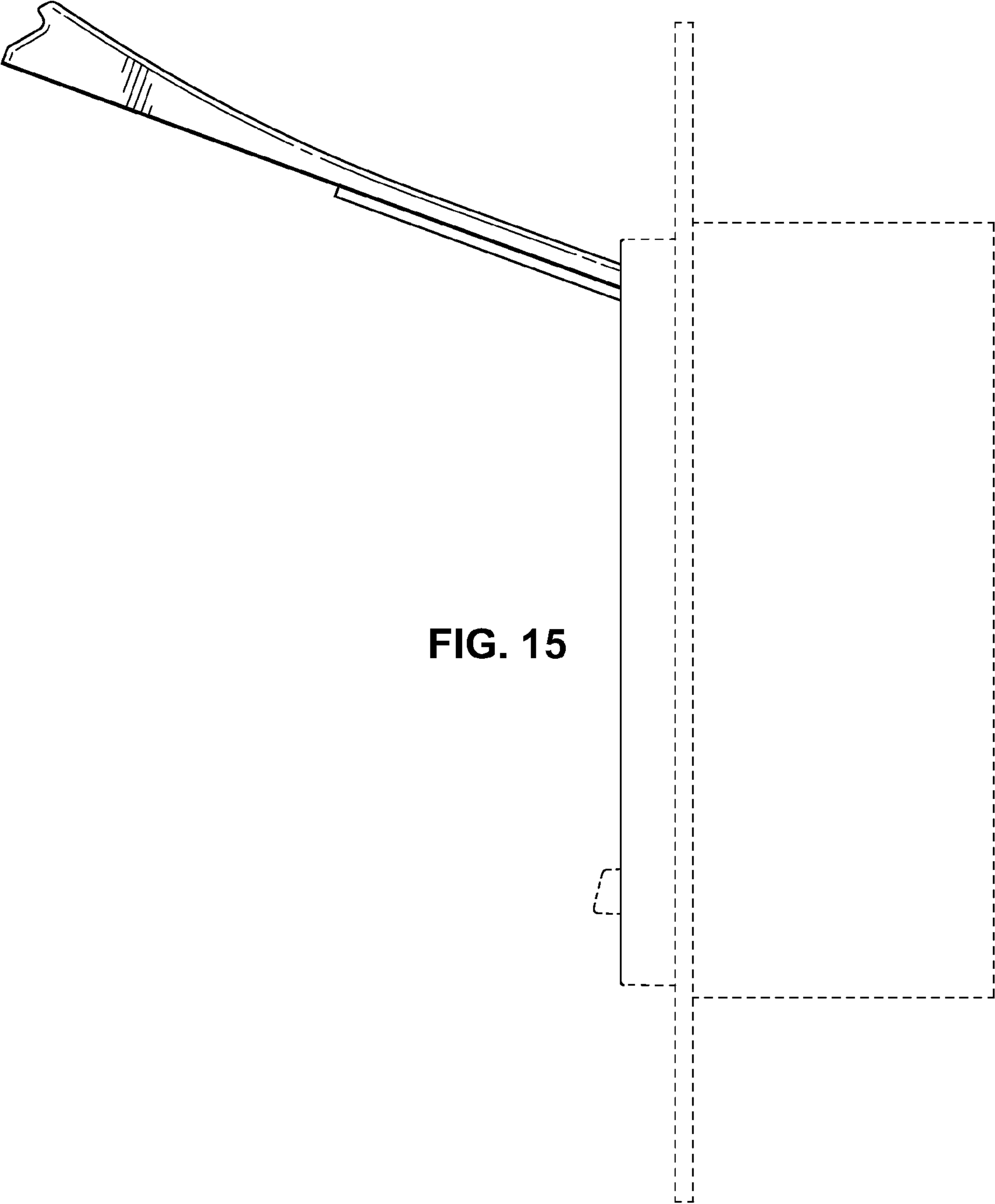


FIG. 15

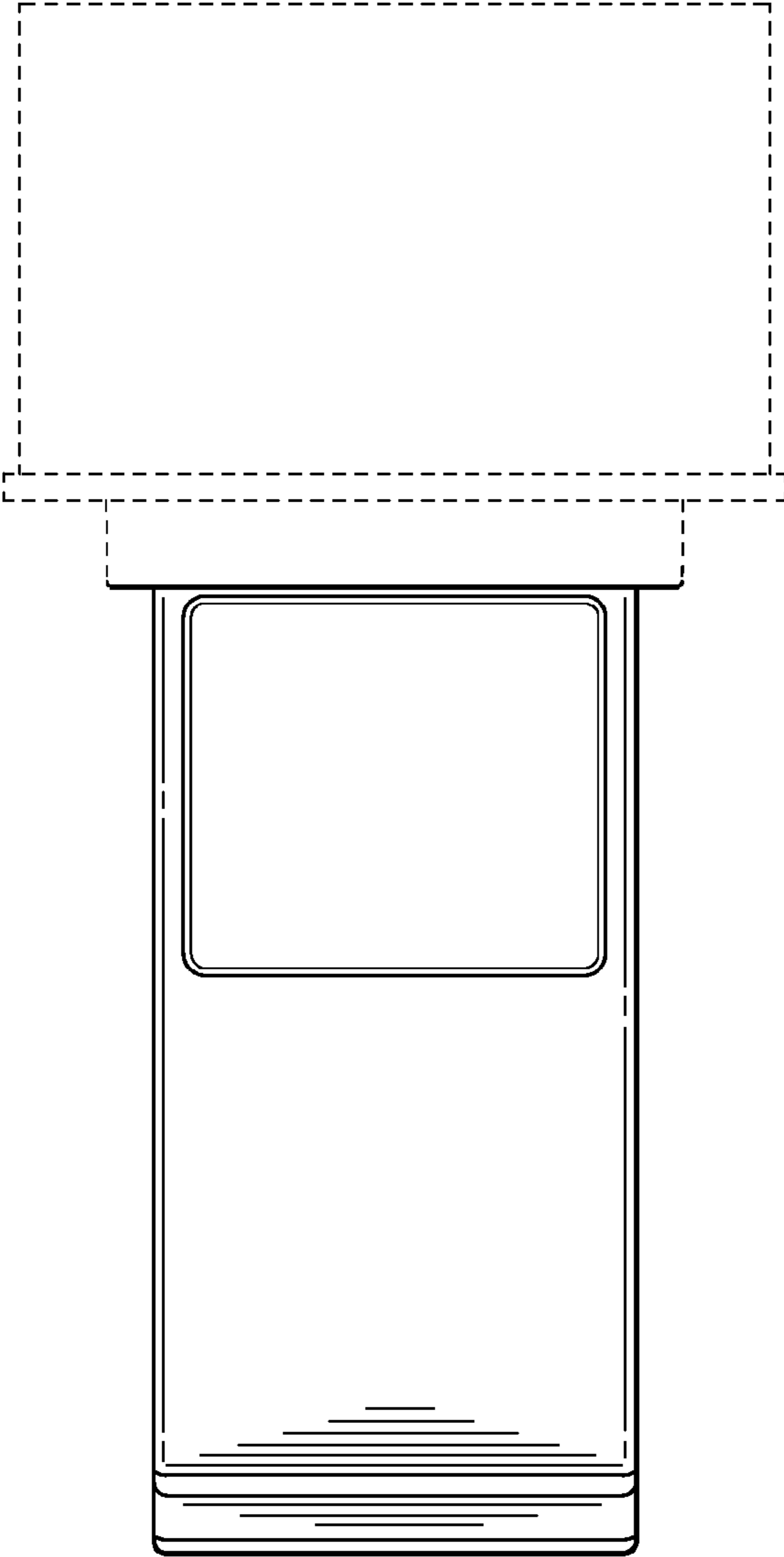


FIG. 16

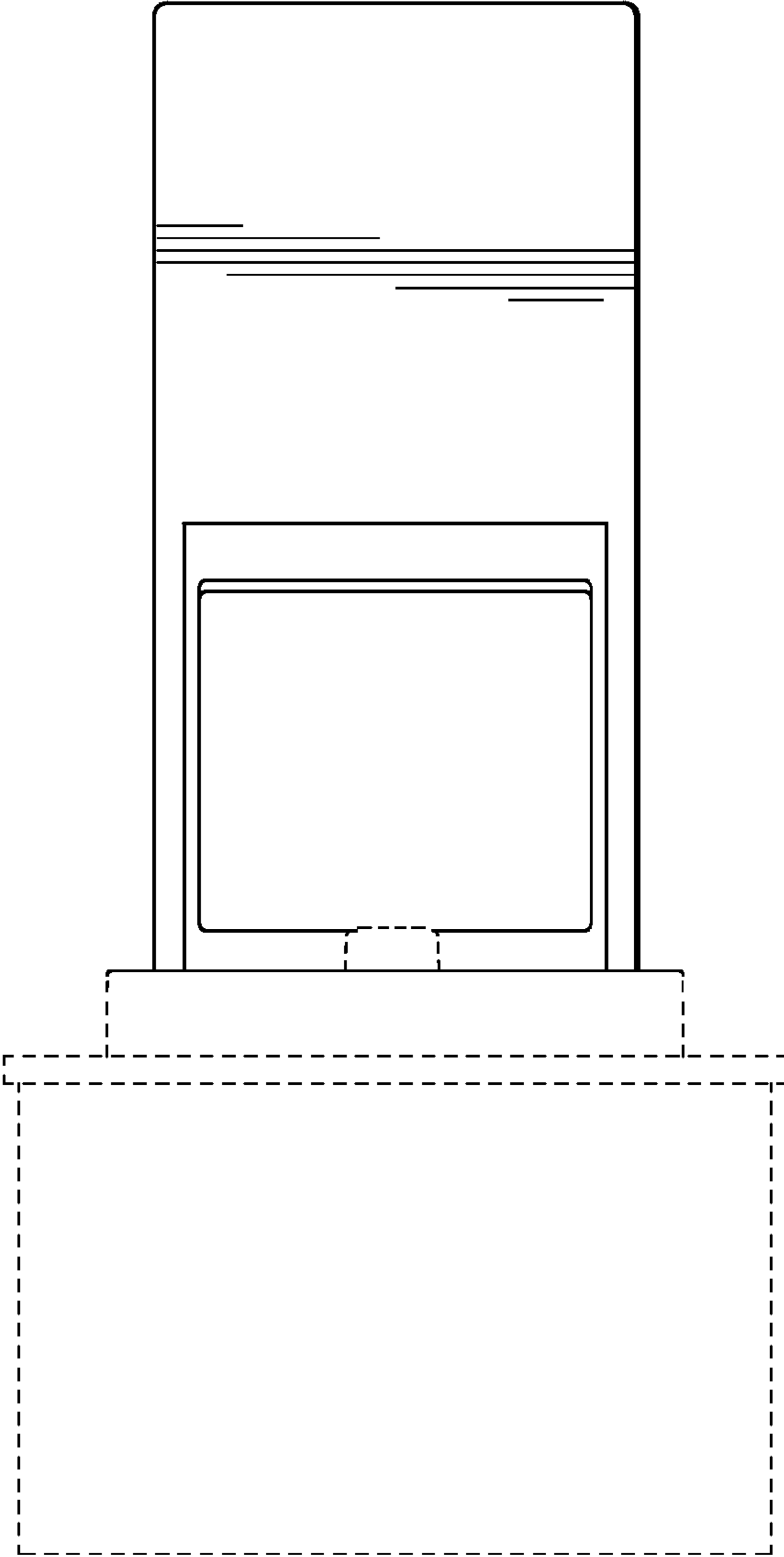


FIG. 17

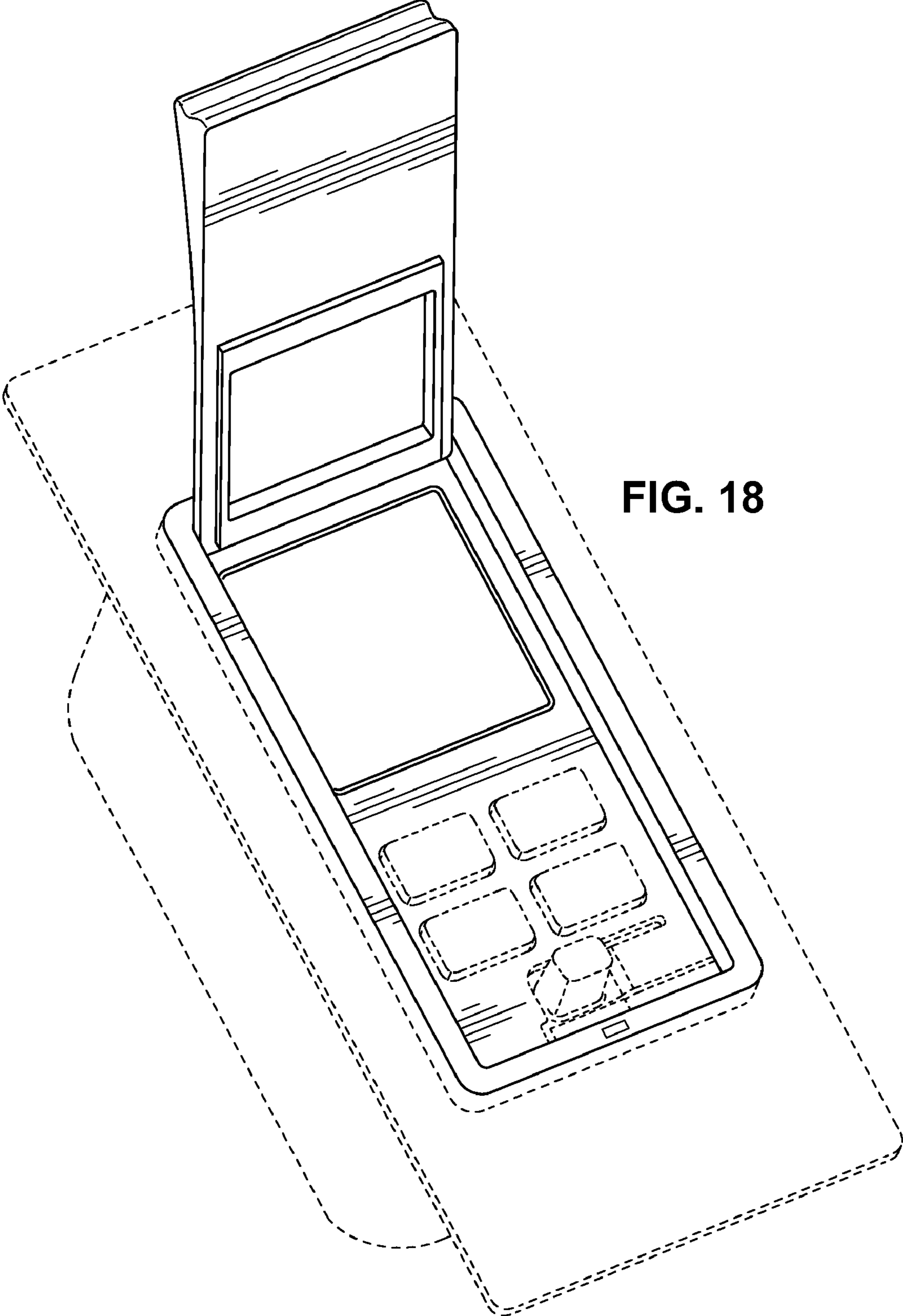


FIG. 18

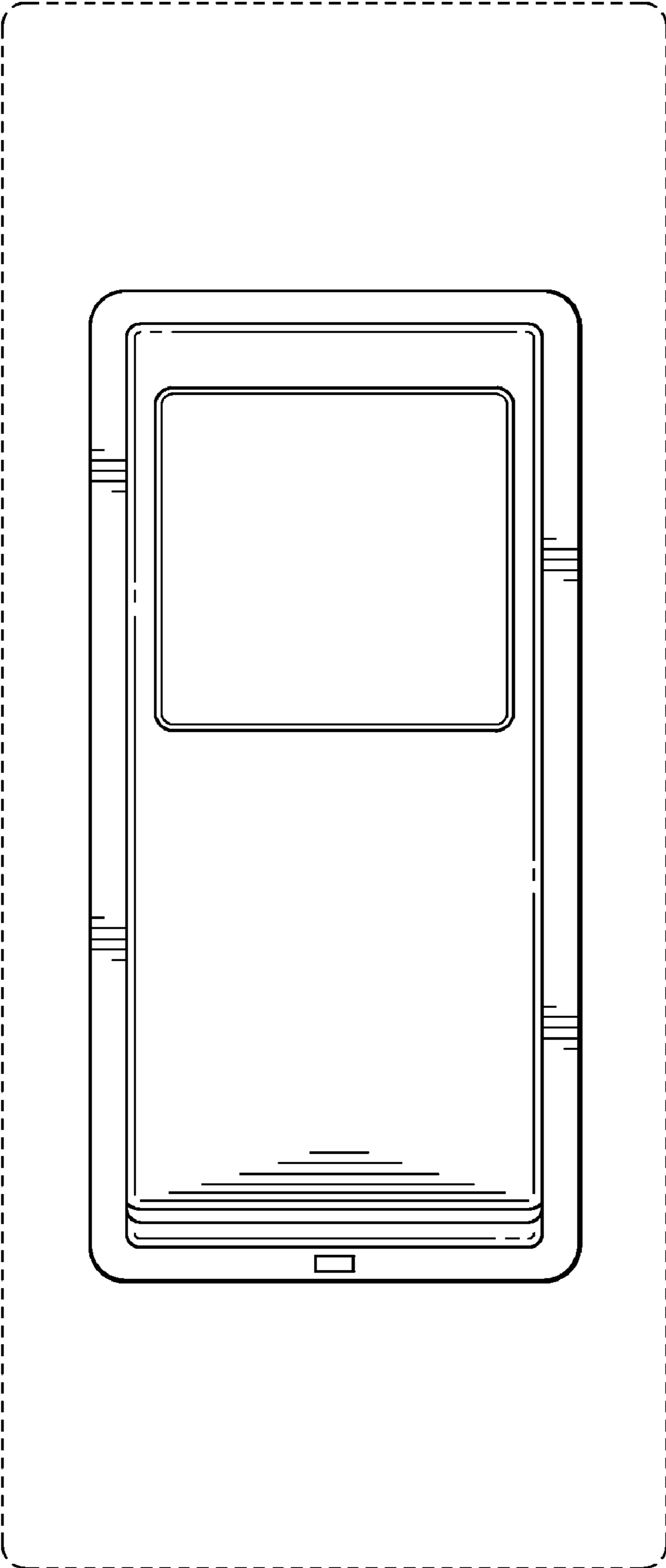


FIG. 19

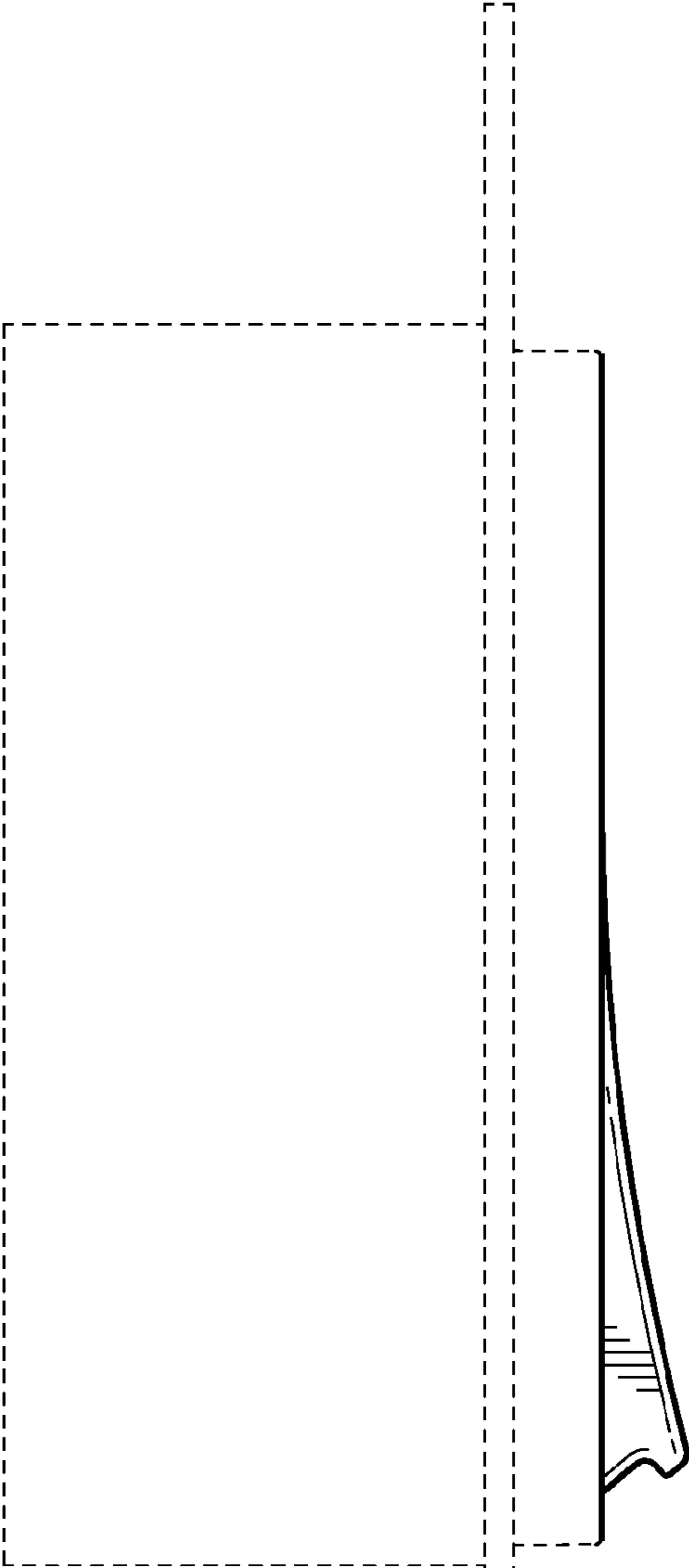


FIG. 20

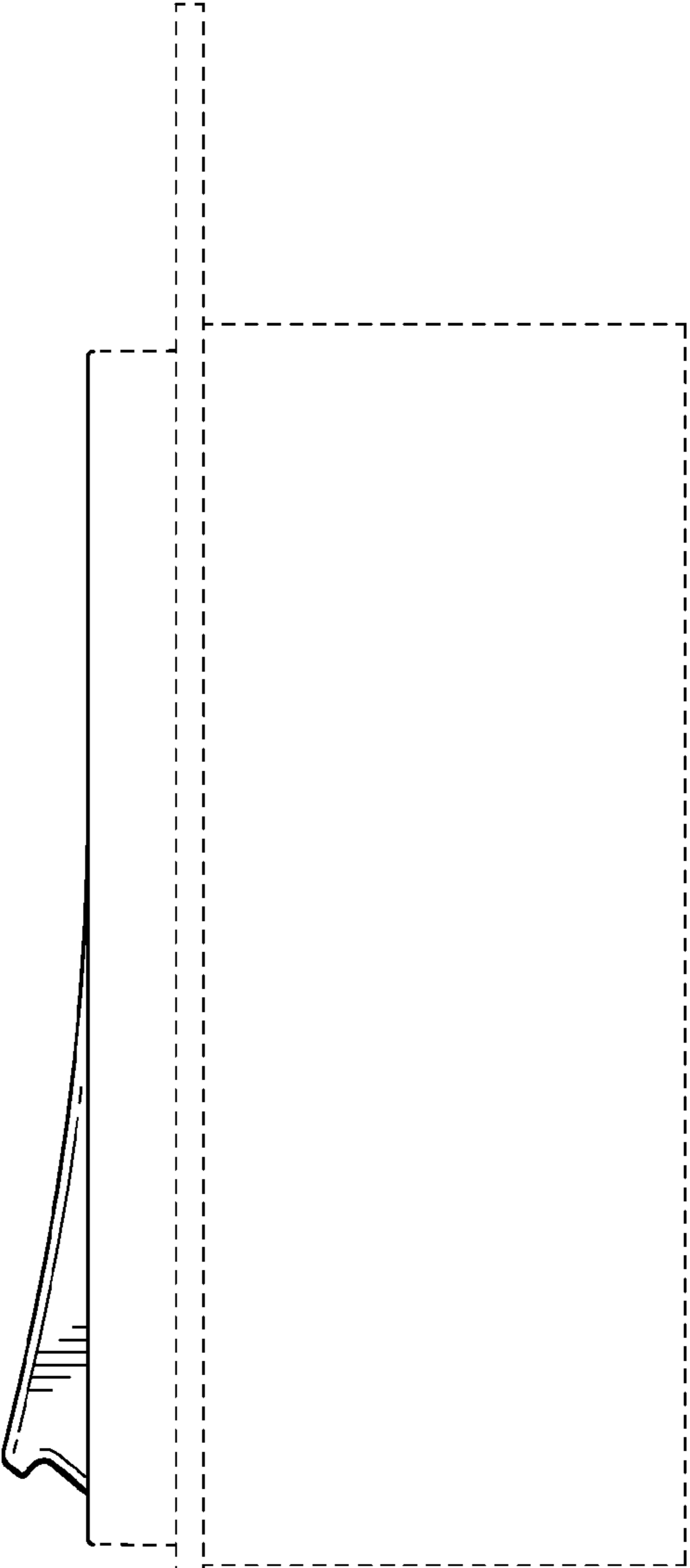


FIG. 21

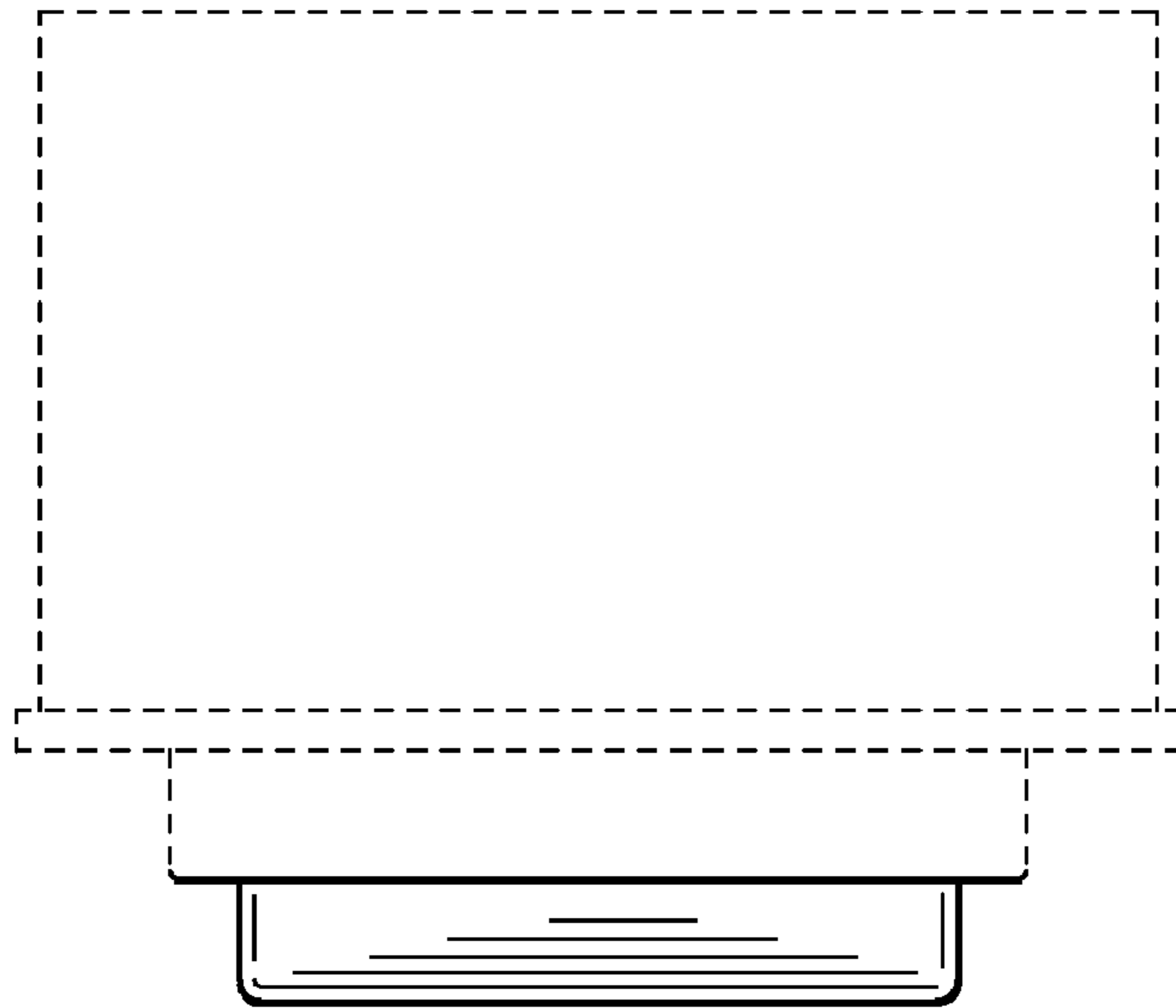


FIG. 22

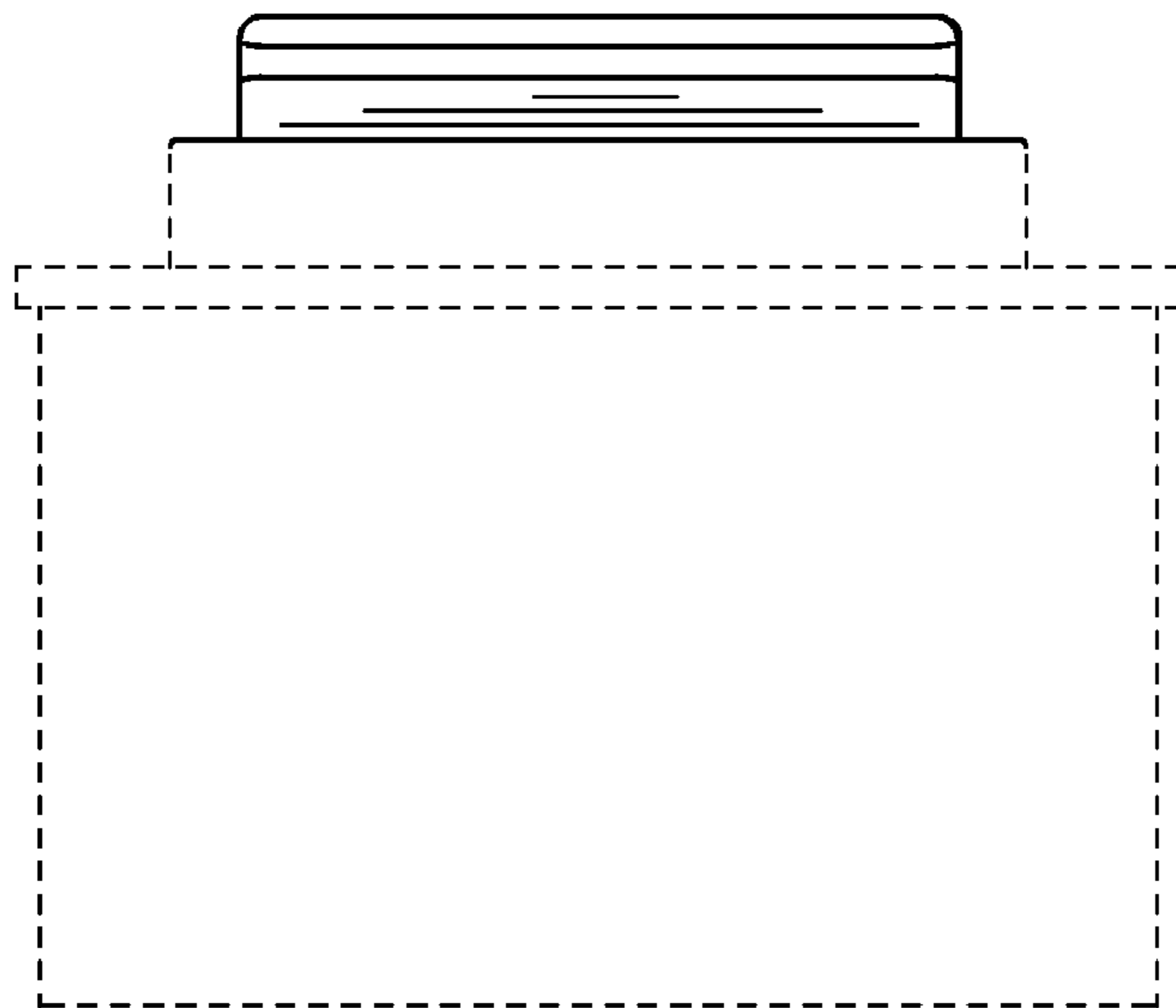


FIG. 23

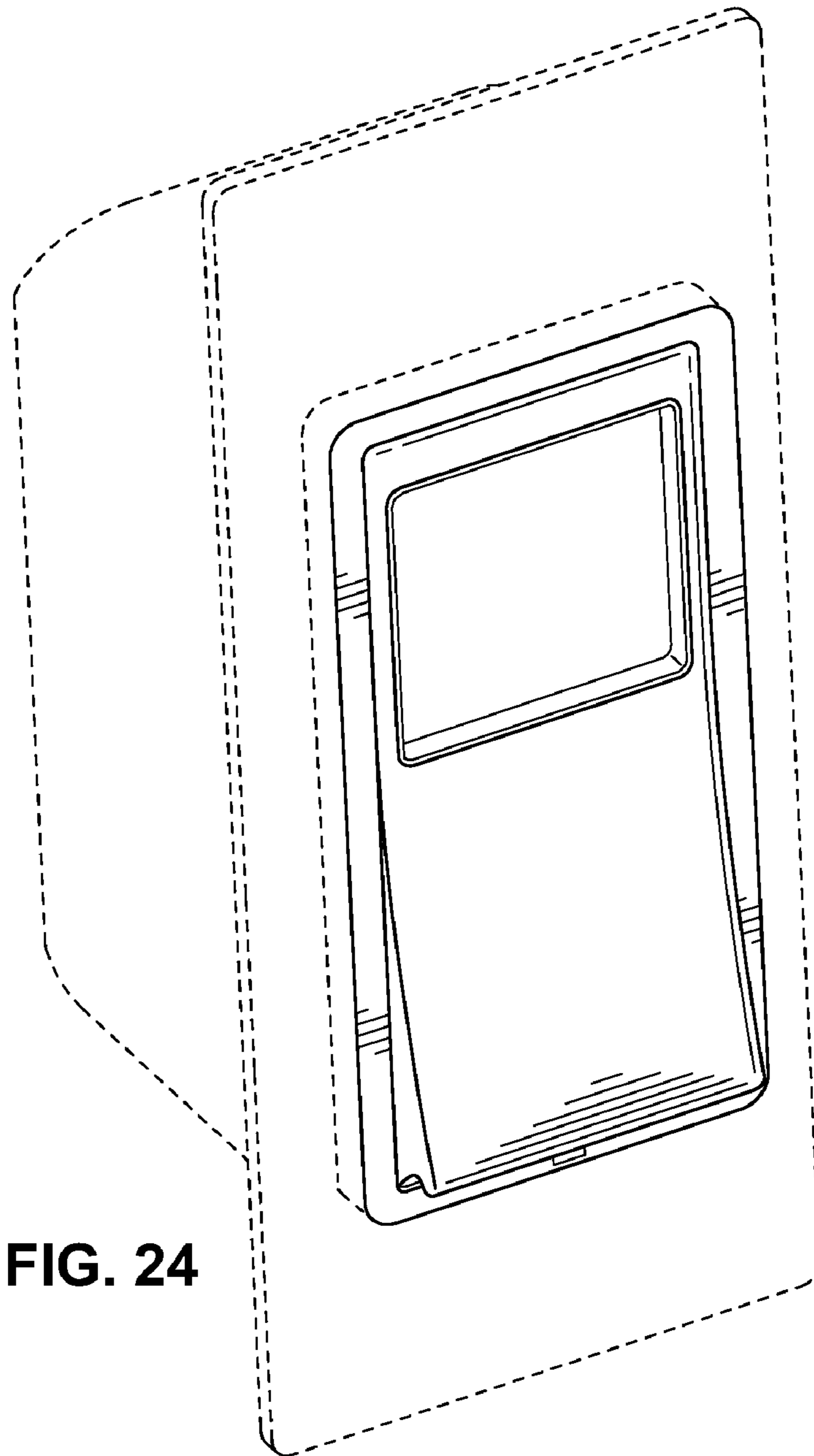


FIG. 24