



US00D646230S

(12) **United States Design Patent**
Natoli

(10) **Patent No.:** **US D646,230 S**

(45) **Date of Patent:** **** Oct. 4, 2011**

(54) **SEALING BOOT**

(75) **Inventor:** **Chris Natoli**, Fulton, NY (US)

(73) **Assignee:** **John Mezzalingua Associates, Inc.**,
East Syracuse, NY (US)

(**) **Term:** **14 Years**

(21) **Appl. No.:** **29/382,972**

(22) **Filed:** **Jan. 10, 2011**

(51) **LOC (9) Cl.** **13-03**

(52) **U.S. Cl.** **D13/156**

(58) **Field of Classification Search** D13/133,
D13/146-147, 154, 156, 184, 199; 439/271,
439/275, 277, 278, 279, 281, 283, 445, 447,
439/578, 583, 584, 927

See application file for complete search history.

(56) **References Cited**

U.S. PATENT DOCUMENTS

3,518,600	A *	6/1970	Urani	337/201
4,323,727	A *	4/1982	Berg	174/135
D328,279	S *	7/1992	Couto et al.	D13/133
D407,378	S *	3/1999	Lee	D13/156

D411,508	S *	6/1999	Spillyards	D13/118
7,727,011	B2 *	6/2010	Montena et al.	439/578
D631,848	S *	2/2011	Montena et al.	D13/154
2006/0240709	A1 *	10/2006	Montena et al.	439/578

* cited by examiner

Primary Examiner — Daniel Bui

(74) *Attorney, Agent, or Firm* — Stephen R. Yoder, Esq.

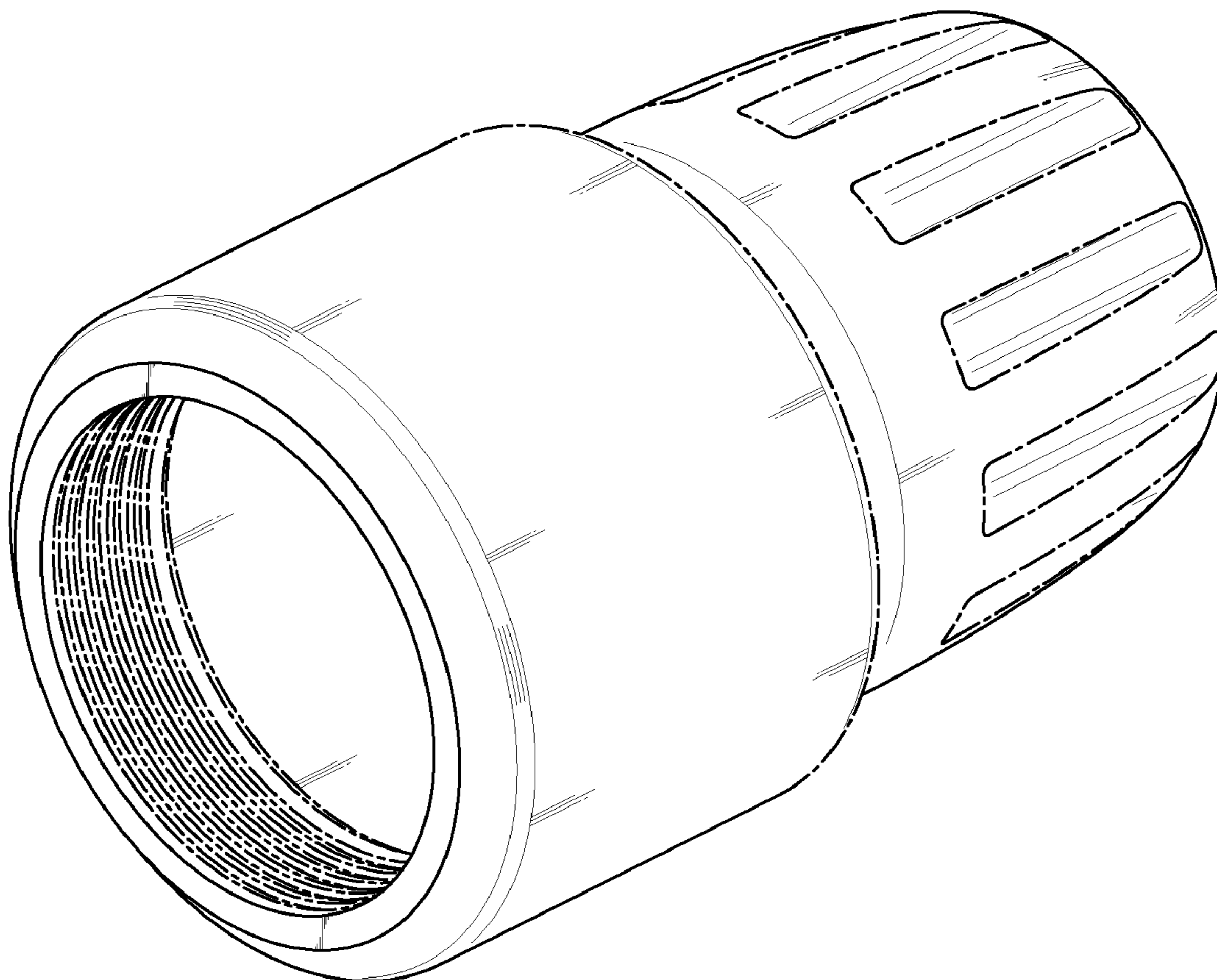
(57) **CLAIM**

The ornamental design for a sealing boot, as shown and described.

DESCRIPTION

FIG. 1 is a front perspective view of the present invention showing my design for a sealing boot; FIG. 2 is a back perspective view thereof; FIG. 3 is a top view thereof, the claimed portion of which is a mirror image to the bottom view, right side view, and the left side view thereof; FIG. 4 is a front view thereof; and, FIG. 5 is a back view thereof; The dash-dot line in the figure drawings is included for the purpose of illustrating environment and forms no part of the claimed design.

1 Claim, 4 Drawing Sheets



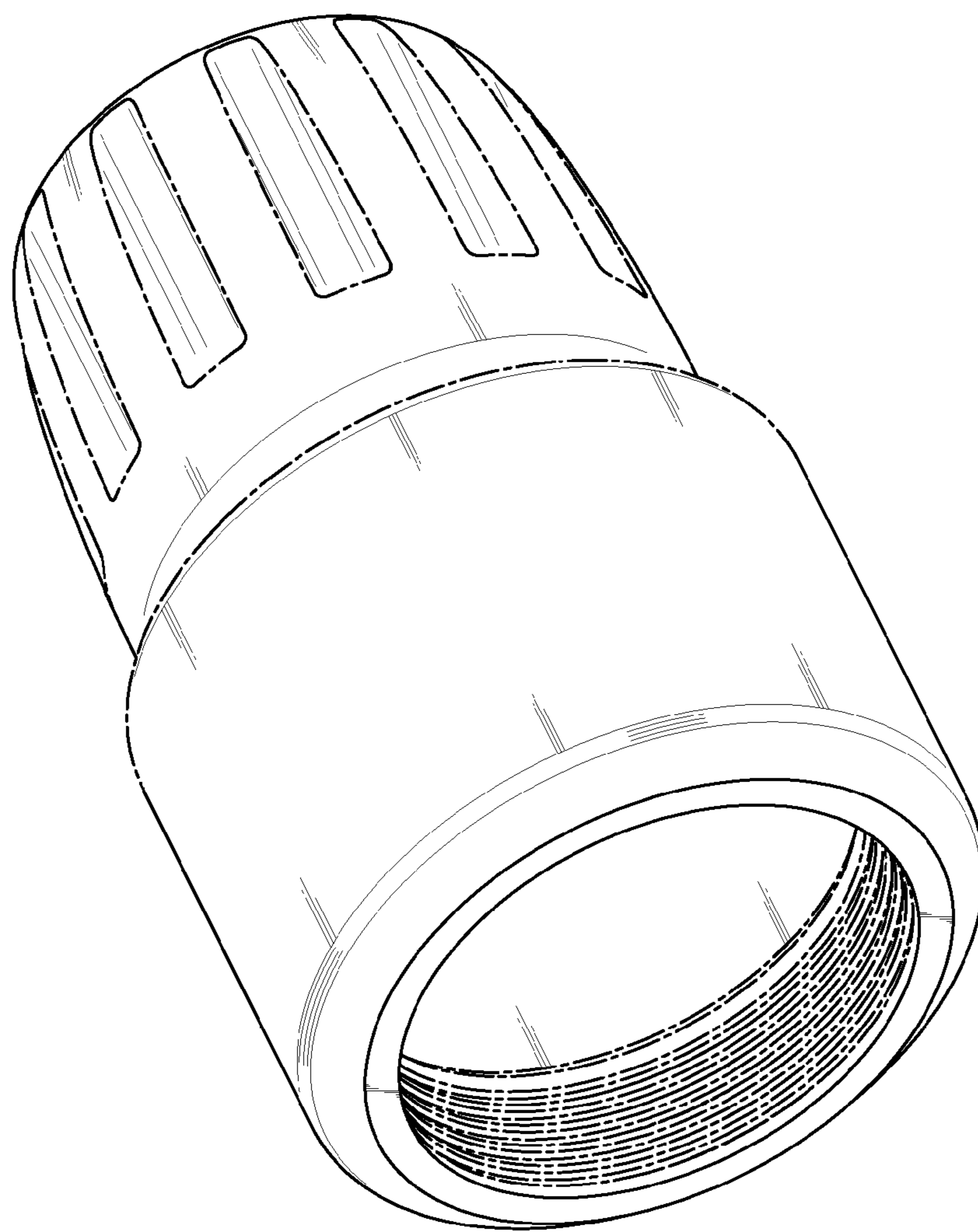


FIG. 1

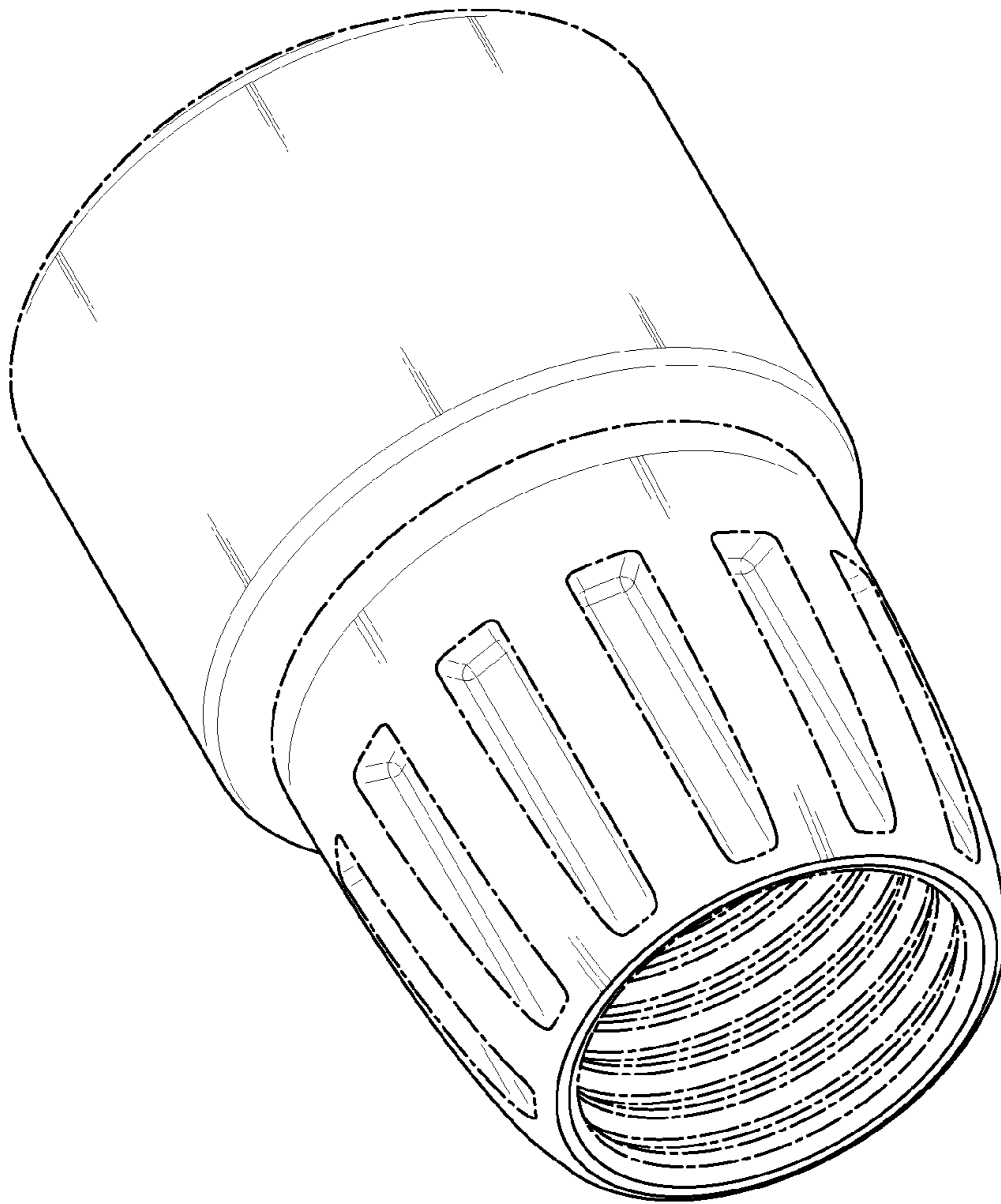


FIG. 2

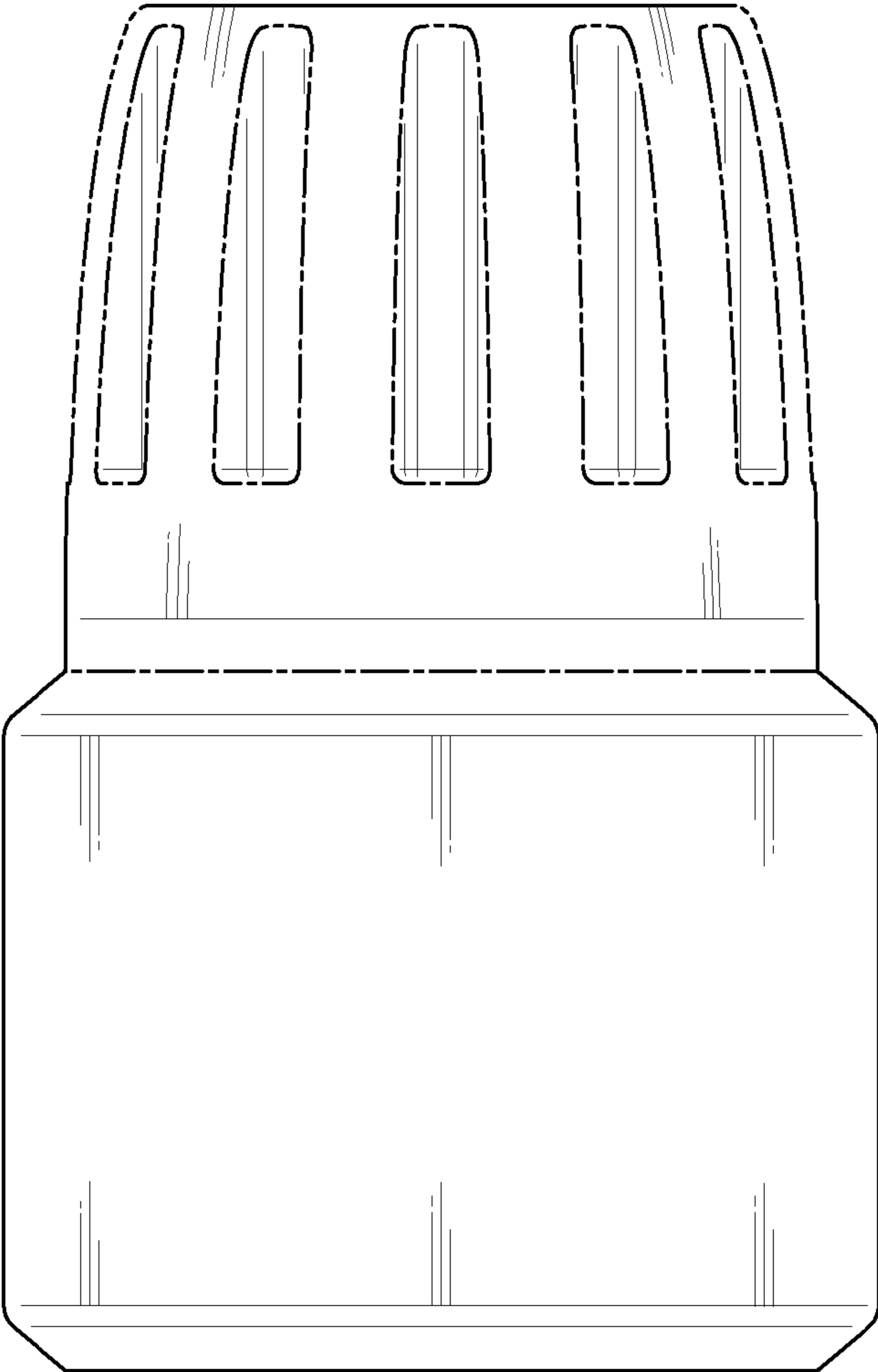


FIG. 3

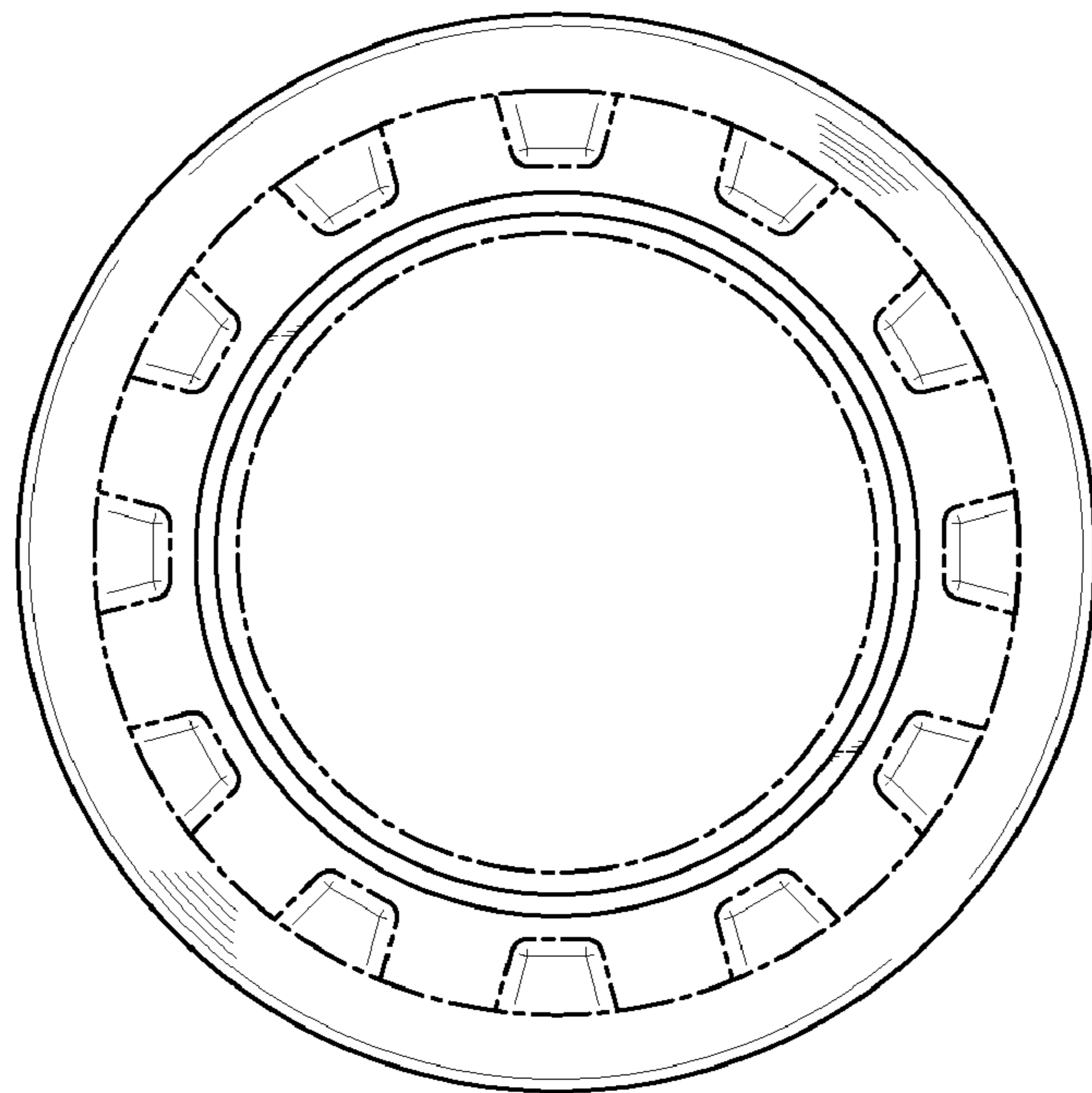


FIG. 5

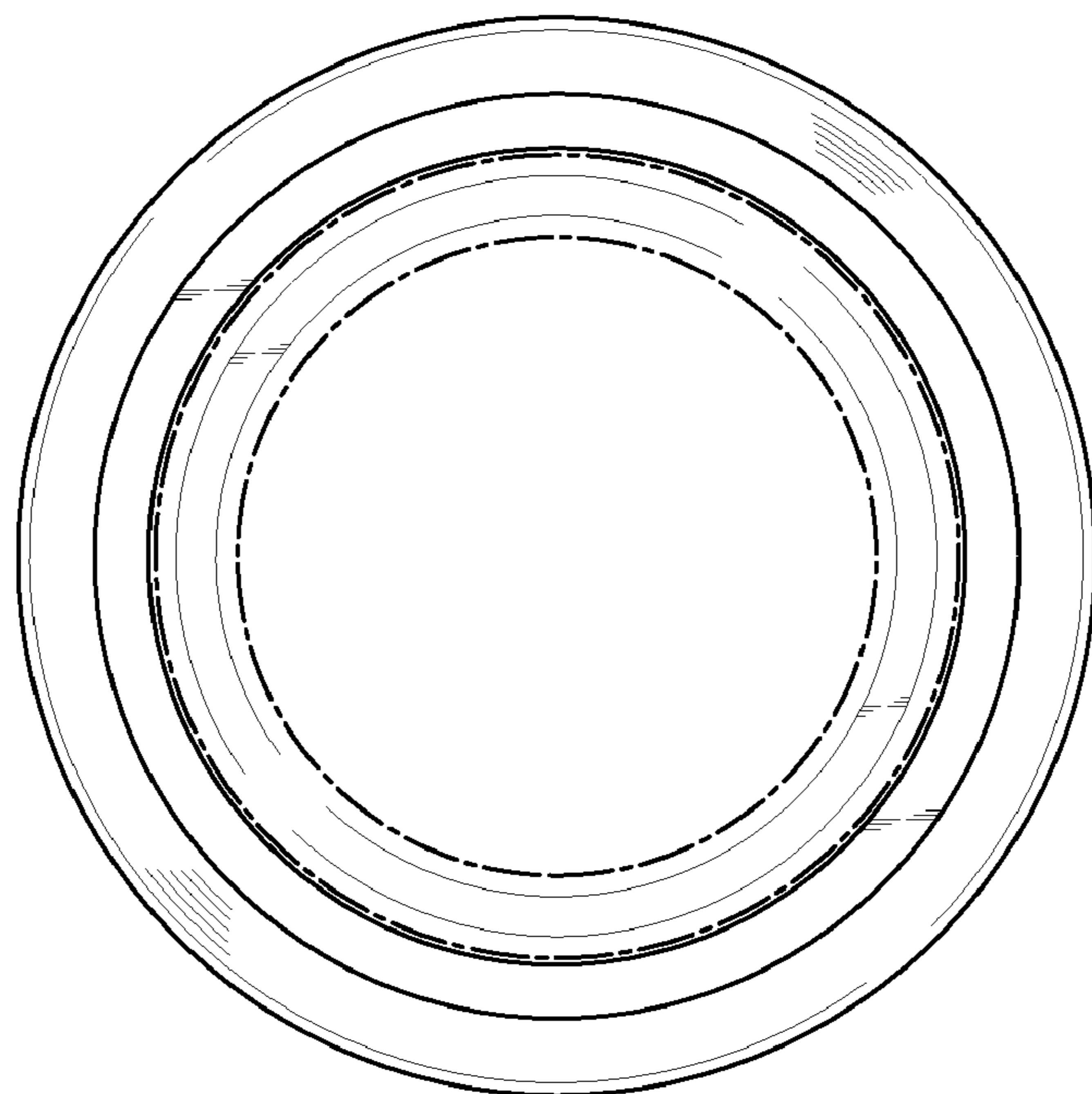


FIG. 4