



US00D646229S

(12) **United States Design Patent**
Guo

(10) **Patent No.:** **US D646,229 S**
(45) **Date of Patent:** **** Oct. 4, 2011**

(54) **ELECTRICAL SOCKET BOOT**

(75) Inventor: **Zhimin Guo**, Cerritos, CA (US)

(73) Assignee: **R.A. Phillips Industries, Inc.**, Santa Fe Springs, CA (US)

(**) Term: **14 Years**

(21) Appl. No.: **29/382,328**

(22) Filed: **Dec. 31, 2010**

(51) **LOC (9) Cl.** **13-03**

(52) **U.S. Cl.** **D13/156**

(58) **Field of Classification Search** D13/133,
D13/146-147, 154, 156, 184, 199; 439/271,
439/275, 277, 278, 279, 281, 283, 445, 447,
439/578, 583, 584, 927

See application file for complete search history.

(56) **References Cited**

U.S. PATENT DOCUMENTS

| | | | | | |
|-----------|------|---------|--------------|-------|---------|
| D152,275 | S * | 1/1949 | Ludwig | | D13/146 |
| D328,279 | S * | 7/1992 | Couto et al. | | D13/133 |
| D358,129 | S * | 5/1995 | Mizobe | | D13/154 |
| D407,378 | S * | 3/1999 | Lee | | D13/156 |
| D411,508 | S * | 6/1999 | Spillyards | | D13/118 |
| 6,007,378 | A * | 12/1999 | Oeth | | 439/588 |
| 7,086,897 | B2 * | 8/2006 | Montena | | 439/578 |

| | | | | | |
|--------------|------|---------|----------------|-------|---------|
| D575,744 | S * | 8/2008 | Amidon | | D13/156 |
| 7,727,011 | B2 * | 6/2010 | Montena et al. | | 439/578 |
| 2006/0240709 | A1 * | 10/2006 | Montena et al. | | 439/578 |

* cited by examiner

Primary Examiner — Daniel Bui

(74) *Attorney, Agent, or Firm* — Christie, Parker & Hale, LLP

(57) **CLAIM**

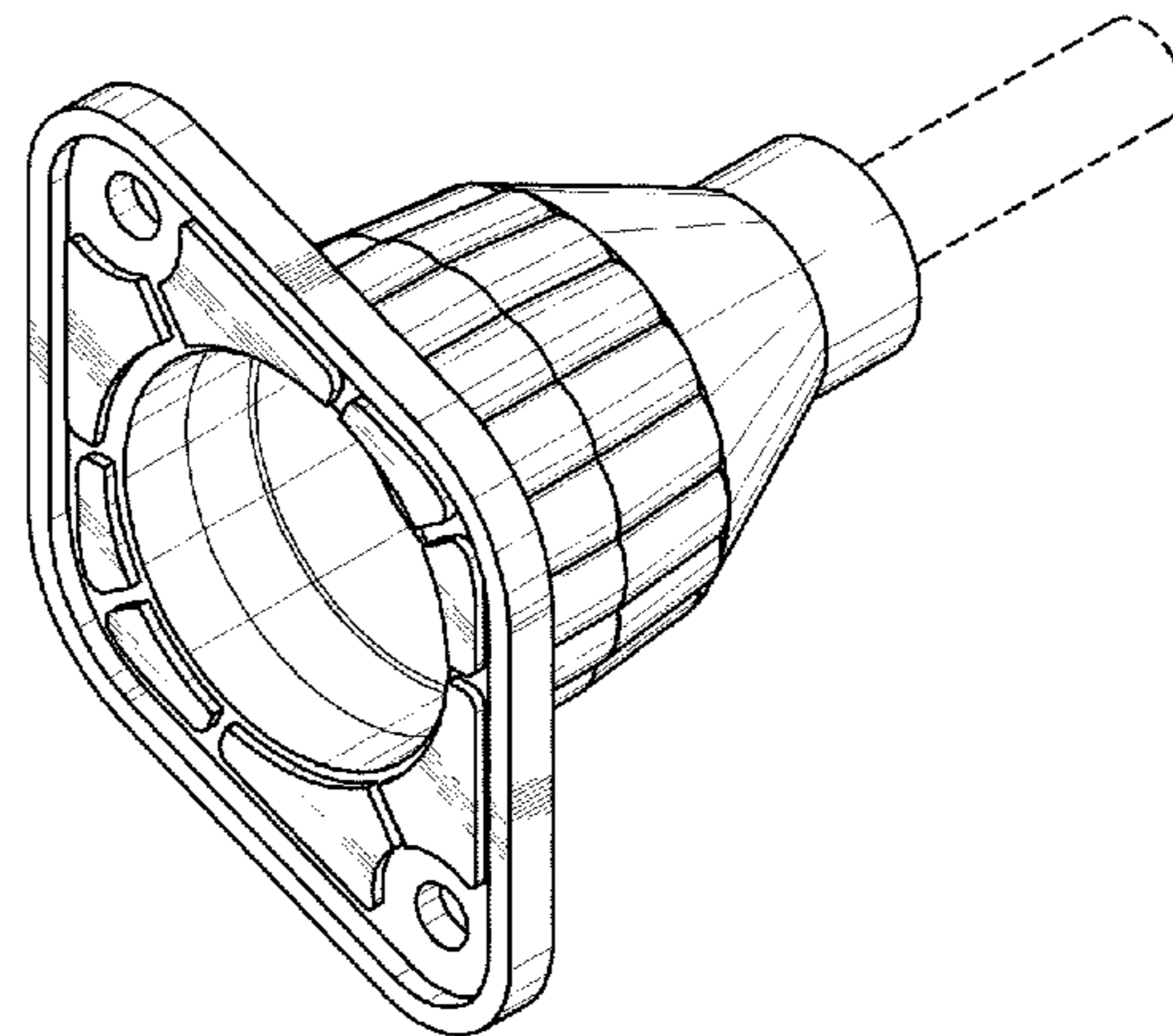
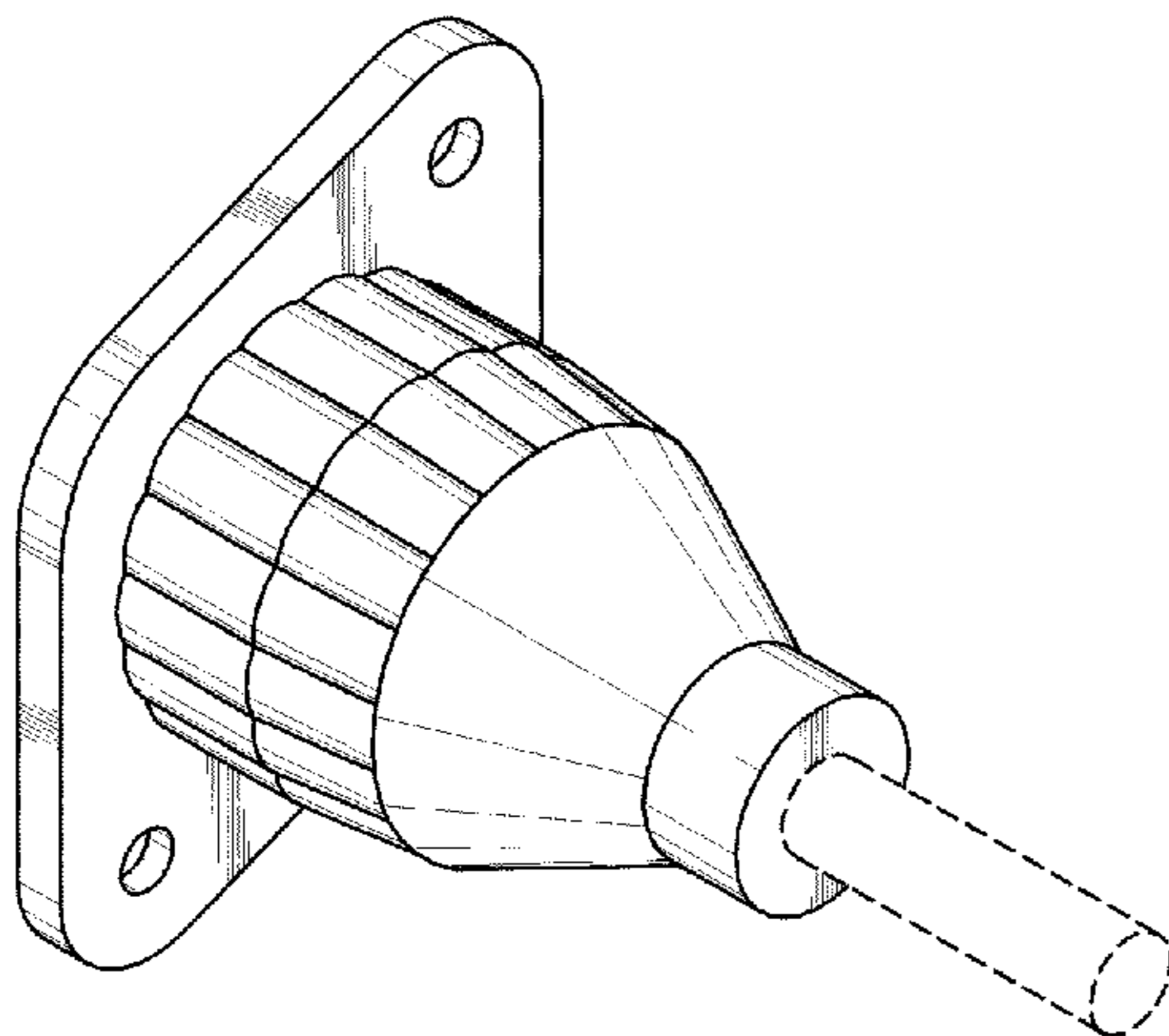
The ornamental design for an electrical socket boot, as shown and described.

DESCRIPTION

FIG. 1 is a rear perspective view of an electrical socket boot showing my new design;
FIG. 2 is a front perspective view thereof;
FIG. 3 is a right elevational view thereof;
FIG. 4 is a front elevational view thereof;
FIG. 5 is a left elevational view thereof;
FIG. 6 is a bottom plan view thereof;
FIG. 7 is a rear elevational view thereof; and,
FIG. 8 is a top plan view thereof.

The even-broken line in the figure drawings is included for the purpose of illustrating environment and forms no part of the claimed design.

1 Claim, 3 Drawing Sheets



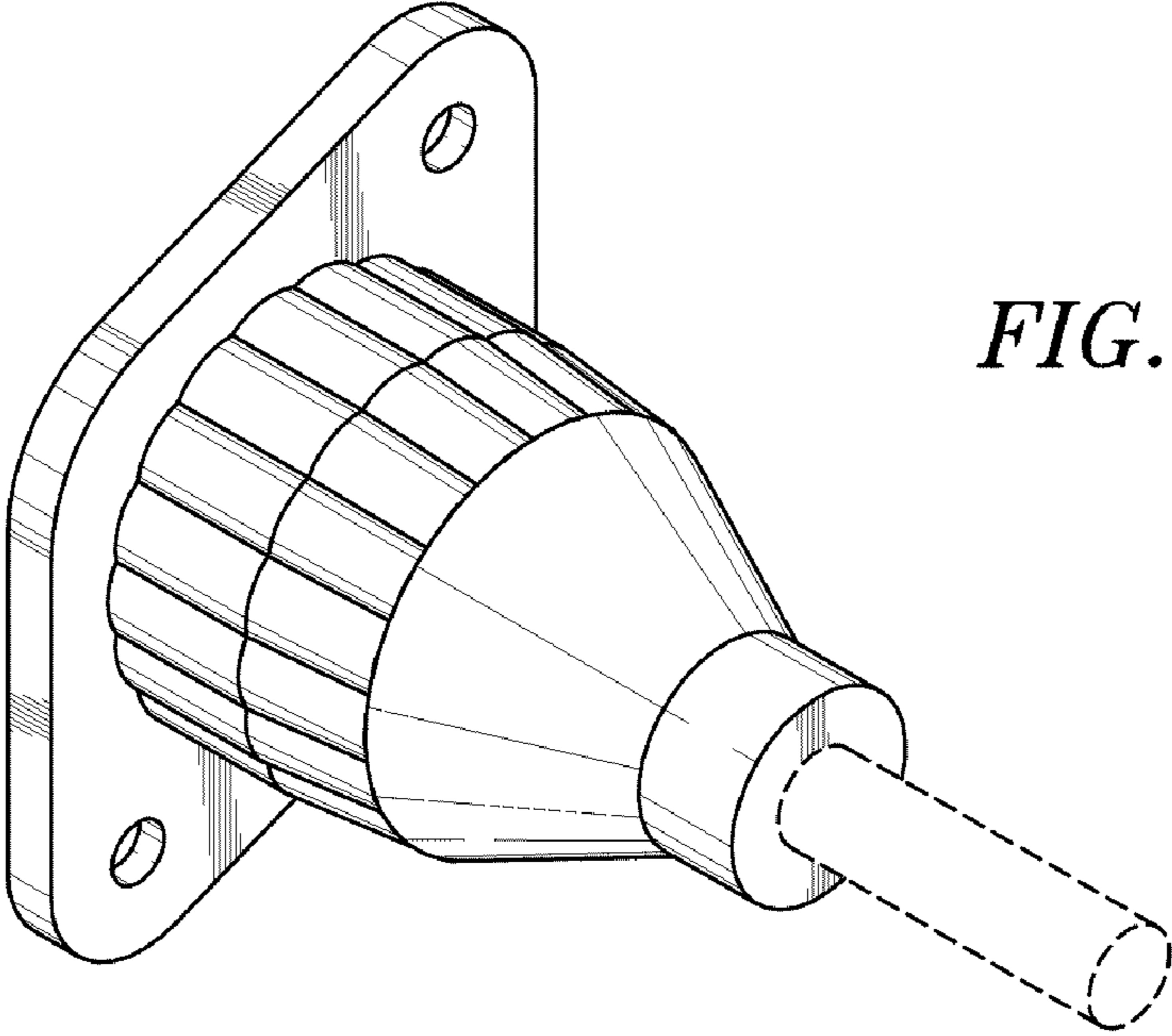


FIG. 1

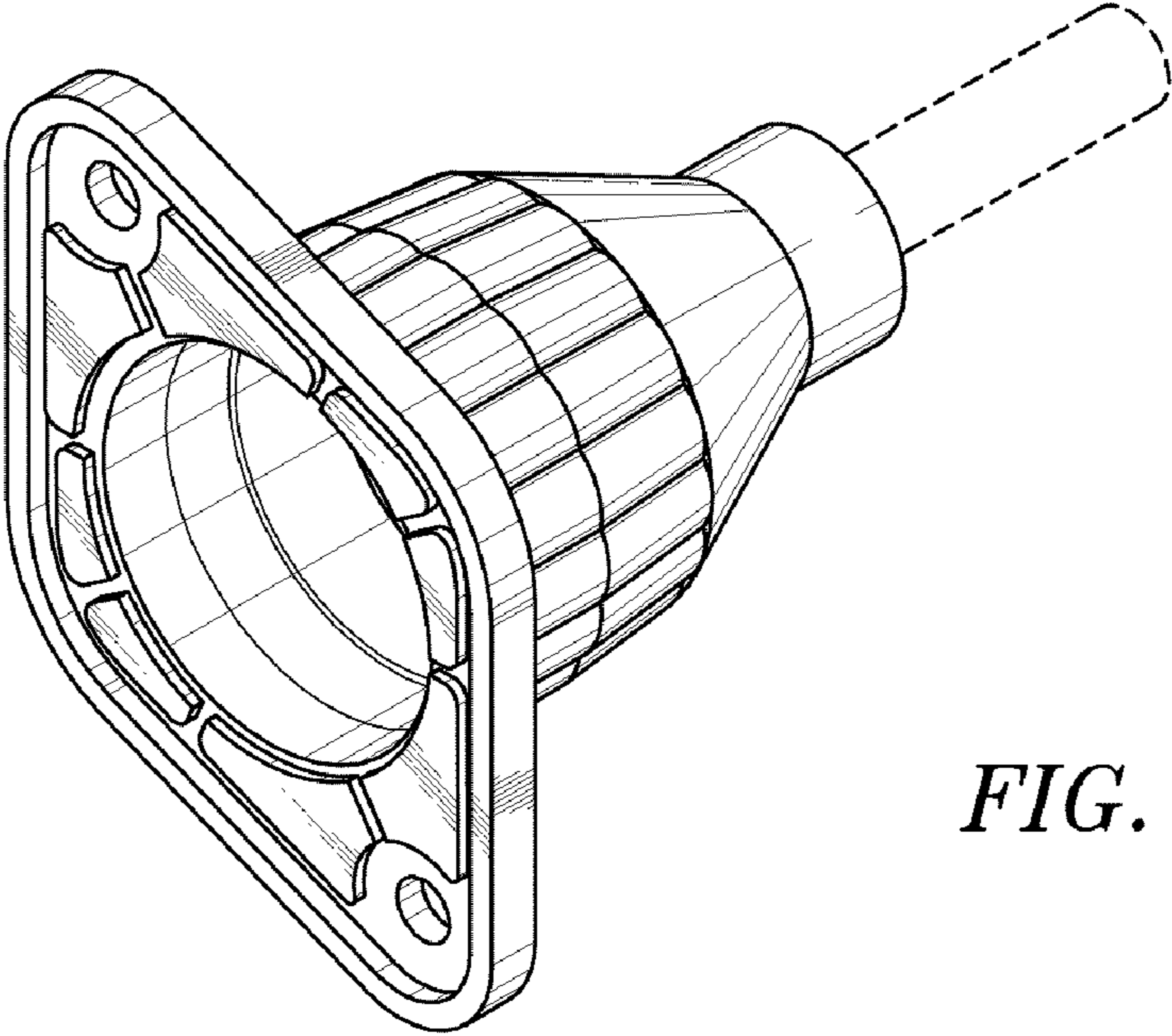


FIG. 2

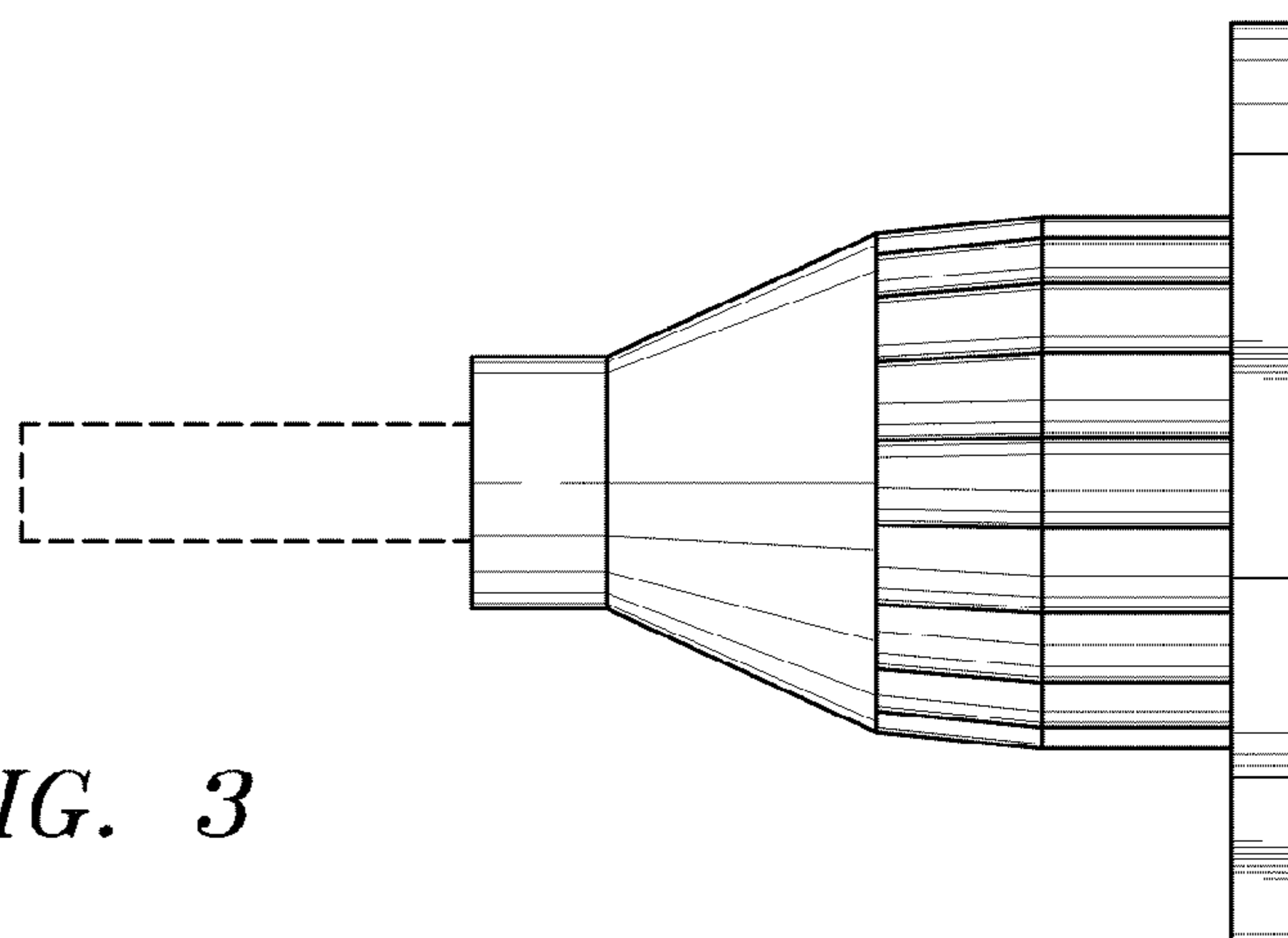


FIG. 3

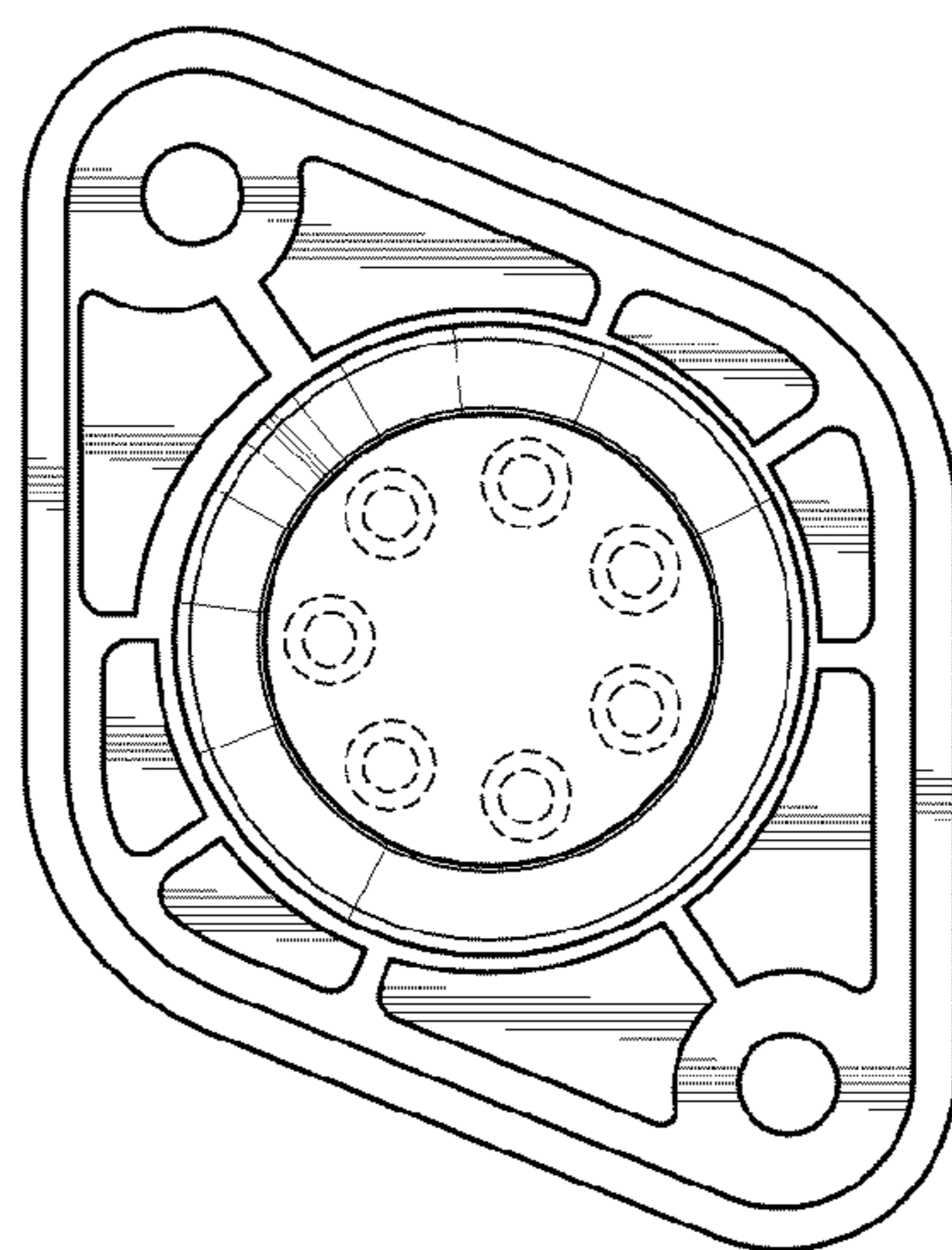


FIG. 4

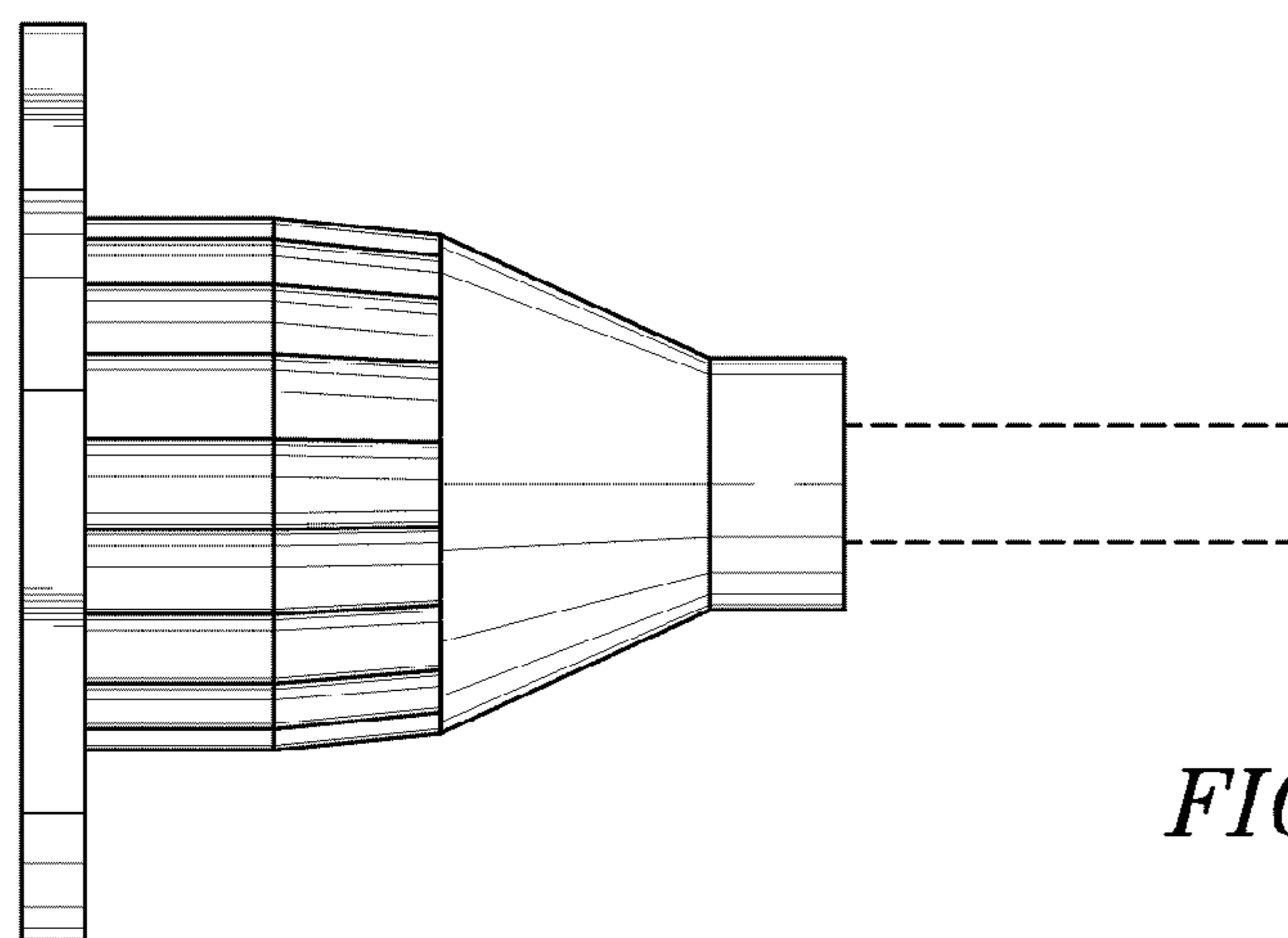


FIG. 5

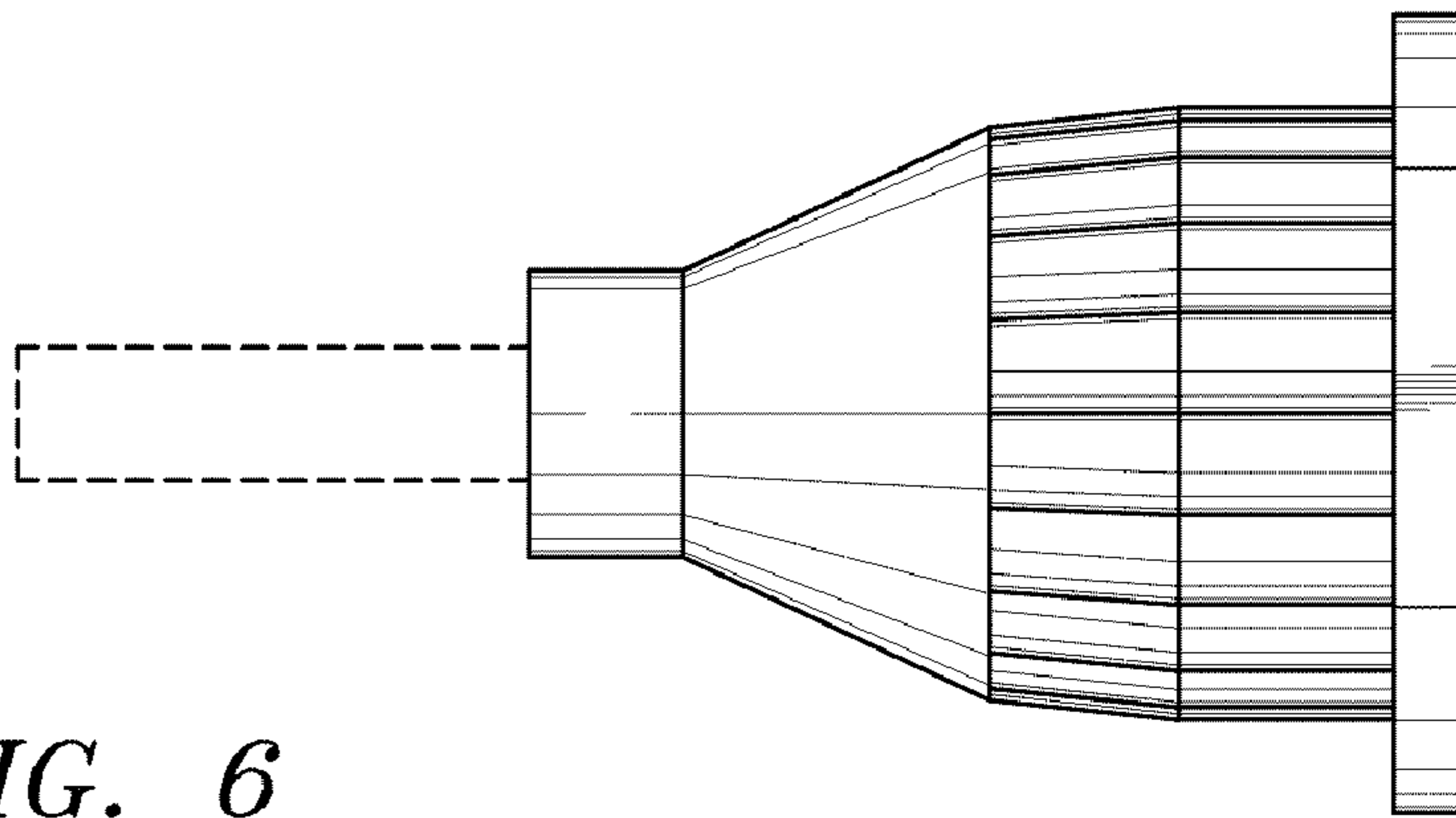


FIG. 6

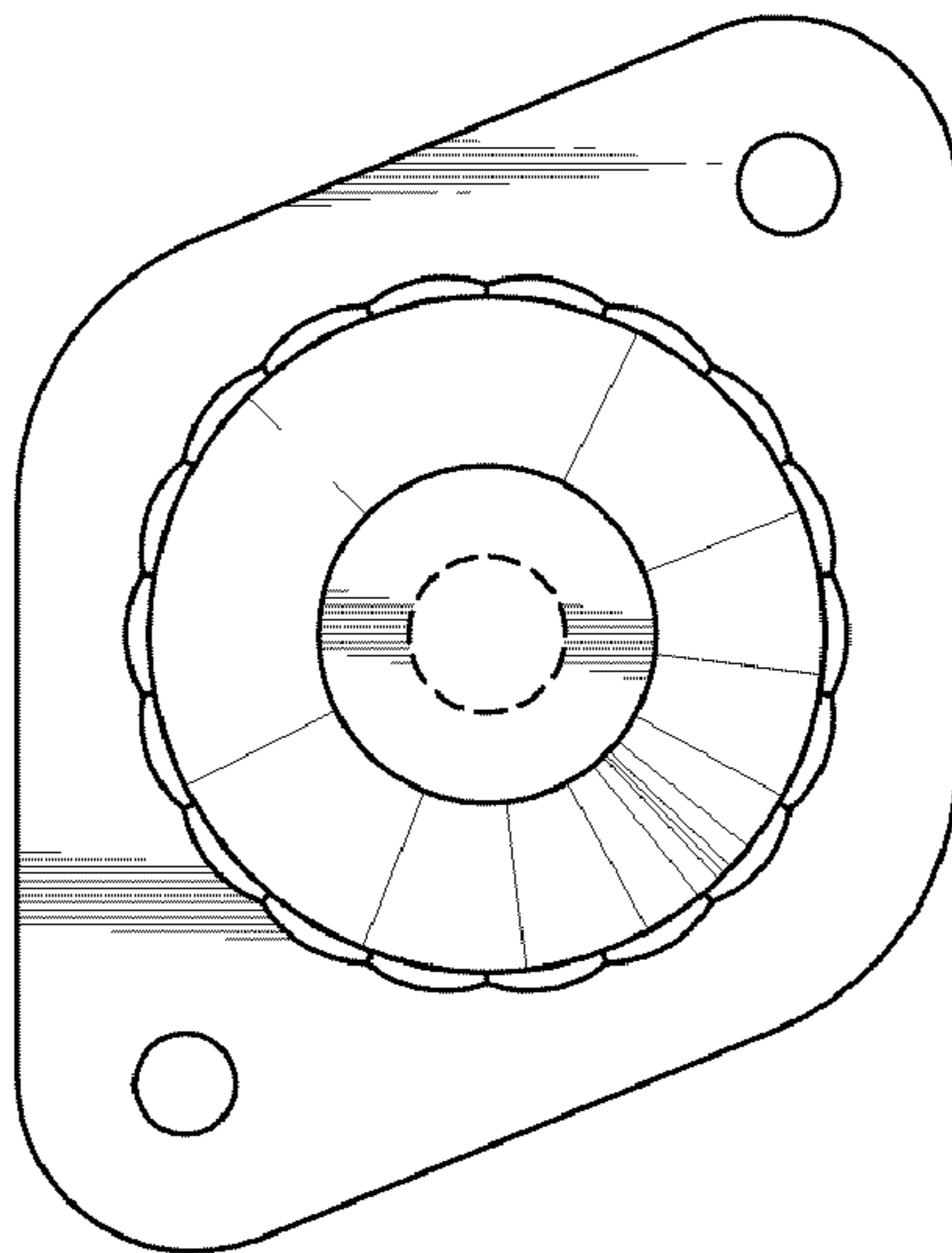


FIG. 7

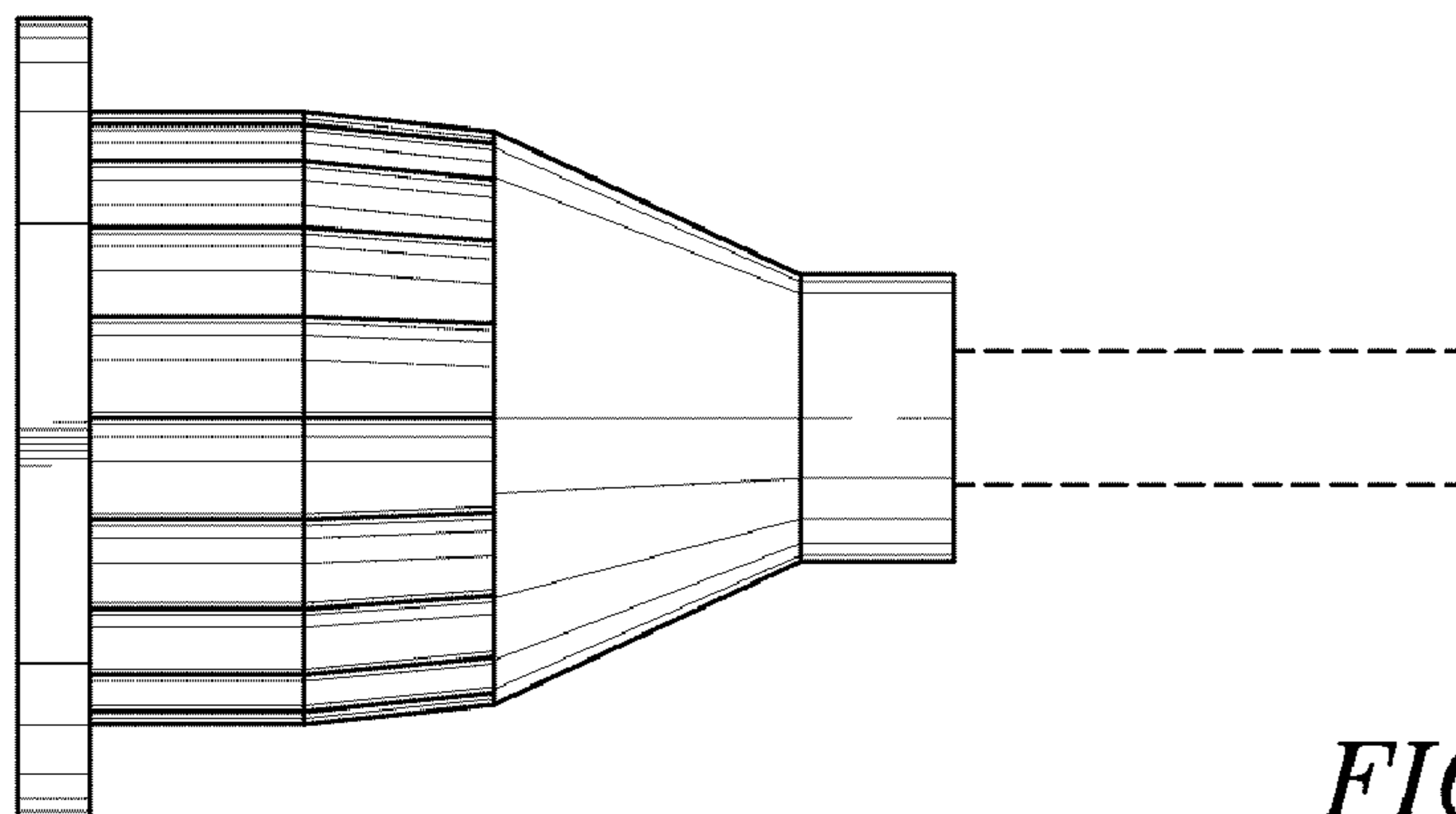


FIG. 8