



US00D646227S

(12) **United States Design Patent**  
**Natoli**

(10) **Patent No.:** **US D646,227 S**

(45) **Date of Patent:** **\*\* Oct. 4, 2011**

(54) **SEALING BOOT**

(75) Inventor: **Chris Natoli**, Fulton, NY (US)

(73) Assignee: **John Mezzalingua Associates, Inc.**,  
East Syracuse, NY (US)

(\*\*) Term: **14 Years**

(21) Appl. No.: **29/375,191**

(22) Filed: **Sep. 17, 2010**

(51) **LOC (9) Cl.** ..... **13-03**

(52) **U.S. Cl.** ..... **D13/156**

(58) **Field of Classification Search** ..... D13/133,  
D13/146-147, 154, 156, 184, 199; 439/271,  
439/275, 277, 278, 279, 281, 283, 445, 447,  
439/578, 583, 584, 927

See application file for complete search history.

5,132,495 A	7/1992	Ewing et al.	
D331,567 S	12/1992	Braga et al.	
5,299,951 A	4/1994	Blaetz	
5,502,280 A	3/1996	Rocci et al.	
5,564,951 A	10/1996	Attal et al.	
5,816,853 A	10/1998	Buekers et al.	
5,844,171 A	12/1998	Fitzgerald	
5,857,865 A	1/1999	Shimirak et al.	
D407,378 S *	3/1999	Lee .....	D13/156
D411,508 S *	6/1999	Spillyards .....	D13/118
6,162,087 A	12/2000	Hiura	
6,273,733 B1	8/2001	Uchiyama	
D456,363 S	4/2002	Lee	
D458,351 S	6/2002	Chen	
6,558,180 B2	5/2003	Nishimoto	
D496,000 S	9/2004	Cornell	
D500,475 S	1/2005	Noro et al.	
D504,113 S	4/2005	Montena	
6,929,265 B2	8/2005	Holland et al.	

(Continued)

*Primary Examiner* — Daniel Bui

(74) *Attorney, Agent, or Firm* — Stephen R. Yoder, Esq.

(56) **References Cited**

U.S. PATENT DOCUMENTS

2,881,406 A	4/1959	Arson	
D188,102 S	6/1960	Yarrick, Jr.	
2,946,839 A	7/1960	Horning	
D206,662 S	1/1967	Karol	
3,390,375 A	6/1968	Salmonson	
3,518,600 A *	6/1970	Urani .....	337/201
3,528,051 A	9/1970	Toedtman et al.	
3,713,077 A	1/1973	Leonard	
3,753,192 A	8/1973	Urani	
D231,534 S	4/1974	Carder	
3,861,777 A	1/1975	Clark	
4,173,385 A	11/1979	Fenn et al.	
4,224,464 A	9/1980	Bunnell et al.	
4,283,597 A	8/1981	Cooper, Jr.	
4,323,727 A *	4/1982	Berg .....	174/135
4,325,600 A	4/1982	Nestor	
4,593,962 A	6/1986	Knorreck et al.	
4,822,293 A	4/1989	Robson	
4,998,894 A	3/1991	Gronvall	
D322,954 S	1/1992	Avramovich	
D328,279 S *	7/1992	Couto et al. ....	D13/133

(57) **CLAIM**

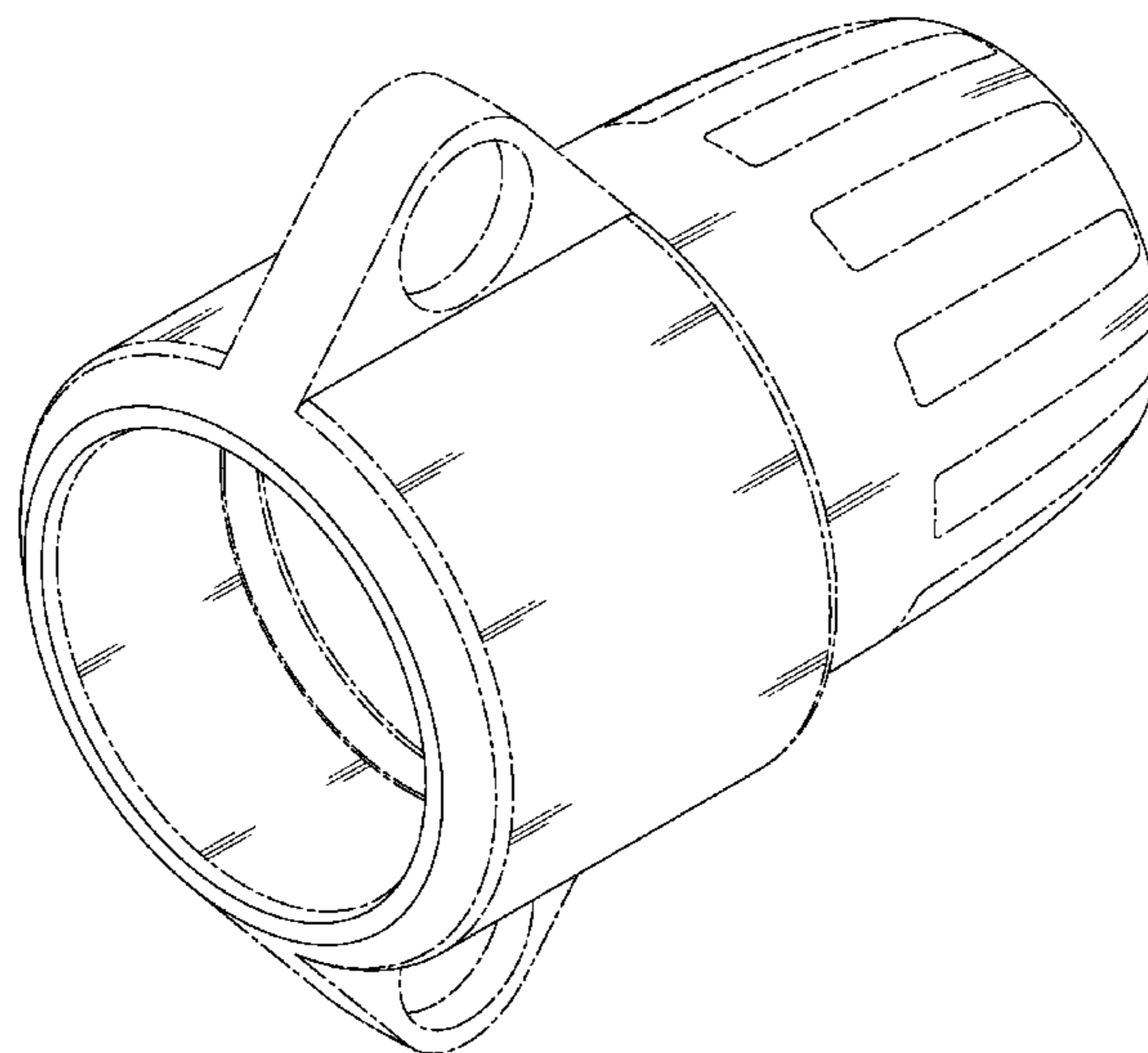
The ornamental design for a sealing boot, as shown and described.

**DESCRIPTION**

FIG. 1 is a front perspective view of the present invention showing my design for a sealing boot;  
 FIG. 2 is a back perspective view thereof;  
 FIG. 3 is a top view thereof, the claimed portion of which is a mirror image to the bottom view thereof;  
 FIG. 4 is a right side view thereof, the claimed portion of which is a mirror image of the left side view thereof;  
 FIG. 5 is a front view thereof; and,  
 FIG. 6 is a back view thereof.

The dash-dot line in the figure drawings is included for the purpose of illustrating environment and forms no part of the claimed design.

**1 Claim, 5 Drawing Sheets**



# US D646,227 S

Page 2

---

## U.S. PATENT DOCUMENTS

6,942,520	B2	9/2005	Barlian et al.	D586,757	S	2/2009	Minnick	
D512,023	S	11/2005	Bachmann	D597,947	S	8/2009	Ono	
7,001,202	B2	2/2006	Robbins	D605,595	S	12/2009	Thomas	
7,179,100	B2	2/2007	Montena	7,727,011	B2 *	6/2010	Montena et al.	439/578
7,186,127	B2	3/2007	Montena	D631,848	S *	2/2011	Montena et al.	D13/154
7,216,426	B2	5/2007	Borgstrom et al.	2006/0035508	A1	2/2006	Stekelenburg	
D549,178	S	8/2007	Amidon	2006/0240709	A1 *	10/2006	Montena et al.	439/578
7,402,063	B2	7/2008	Montena	2006/0286862	A1	12/2006	Lubinsky et al.	
D575,744	S	8/2008	Amidon	2010/0248533	A1	9/2010	Montena	
D584,228	S	1/2009	Strickland					

\* cited by examiner

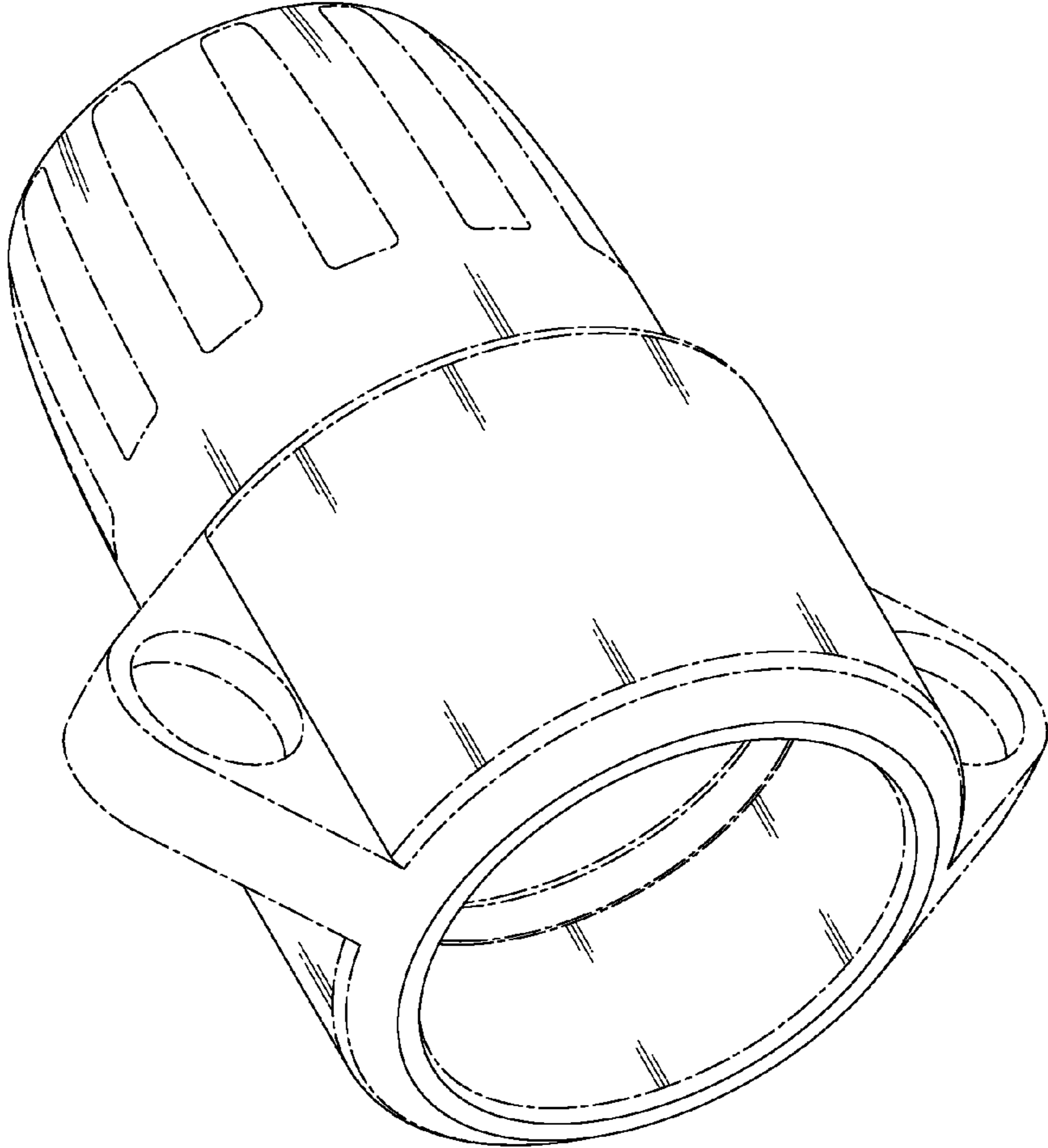


FIG. 1

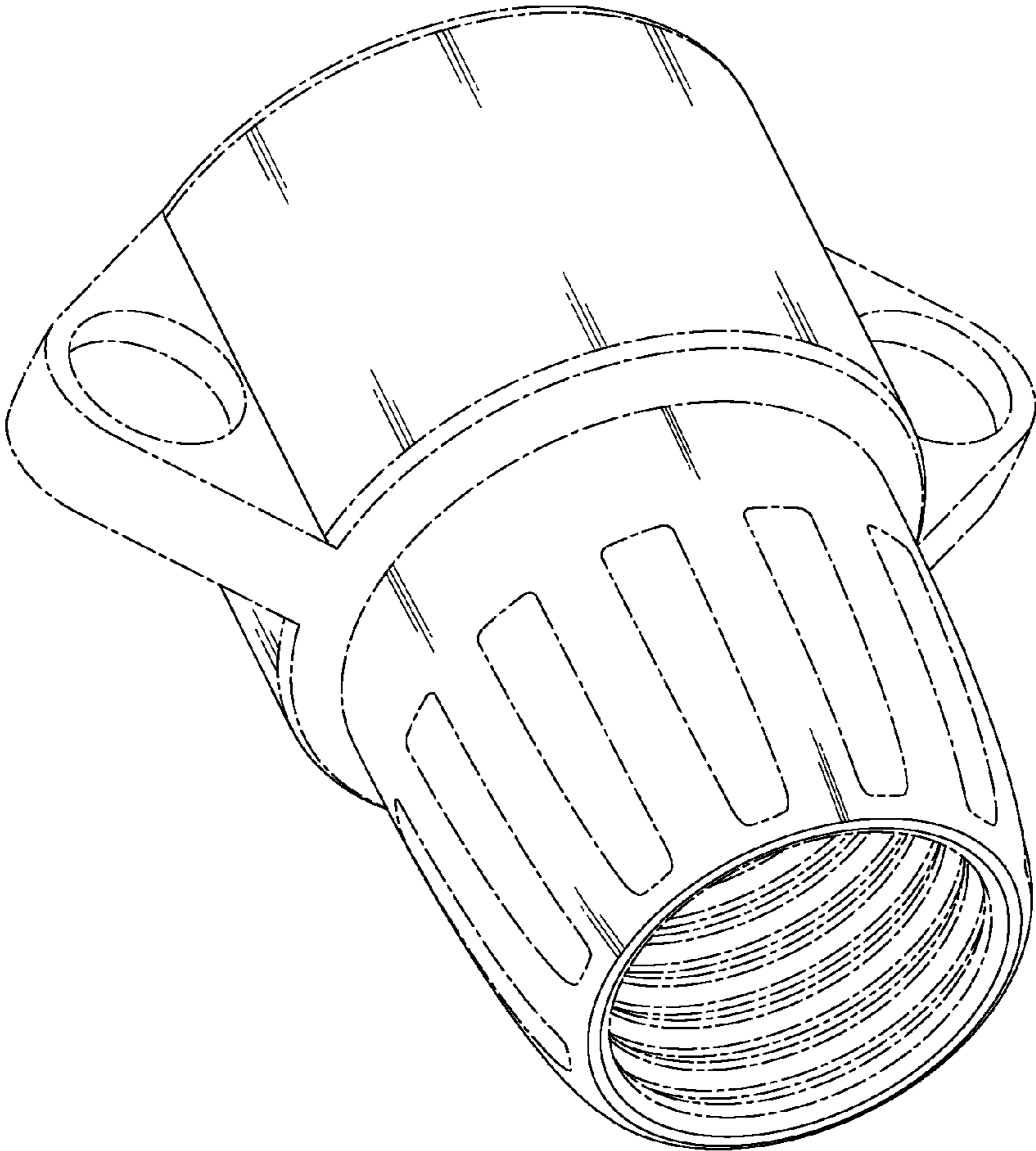


FIG. 2

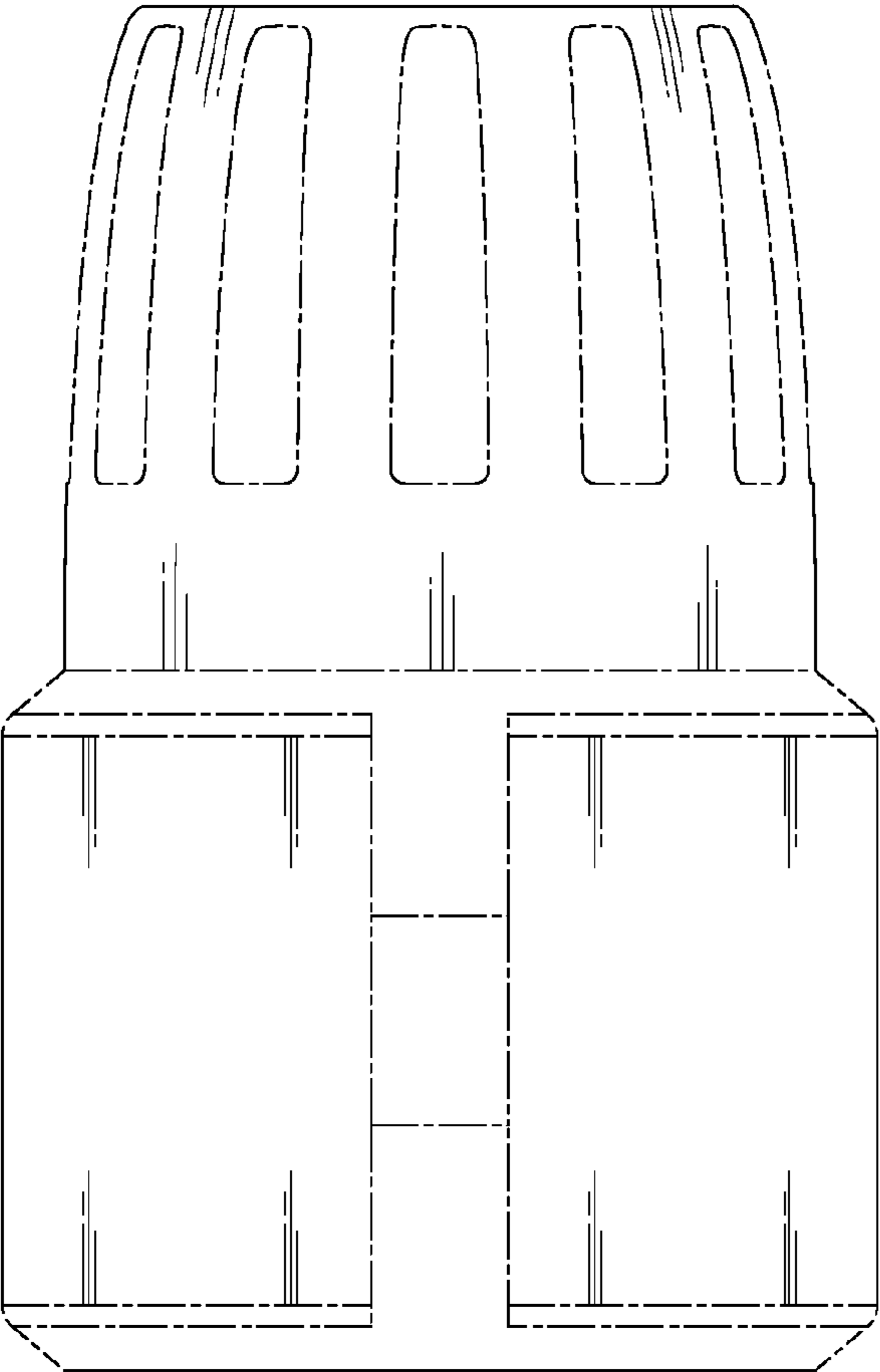


FIG. 3

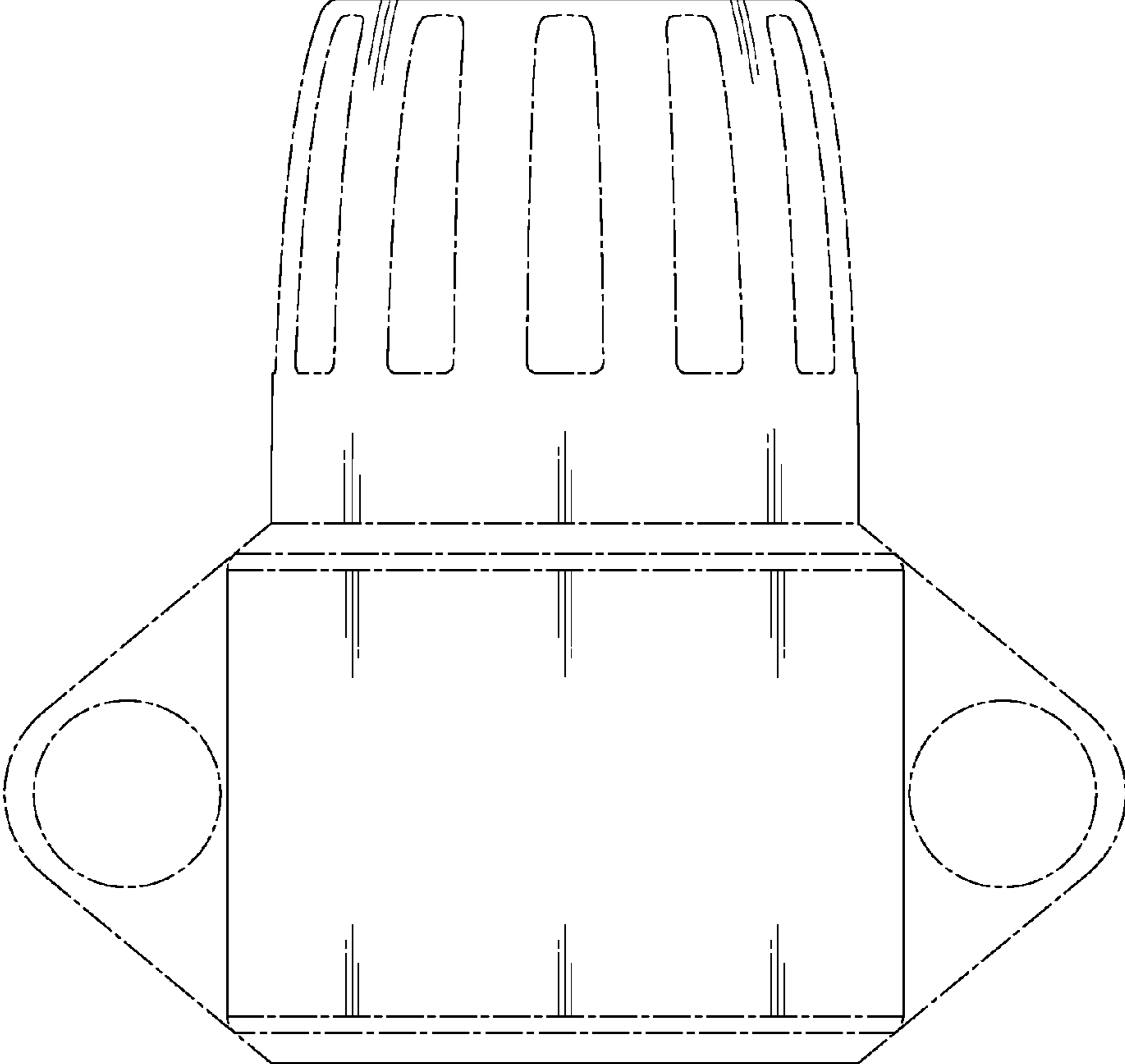


FIG. 4

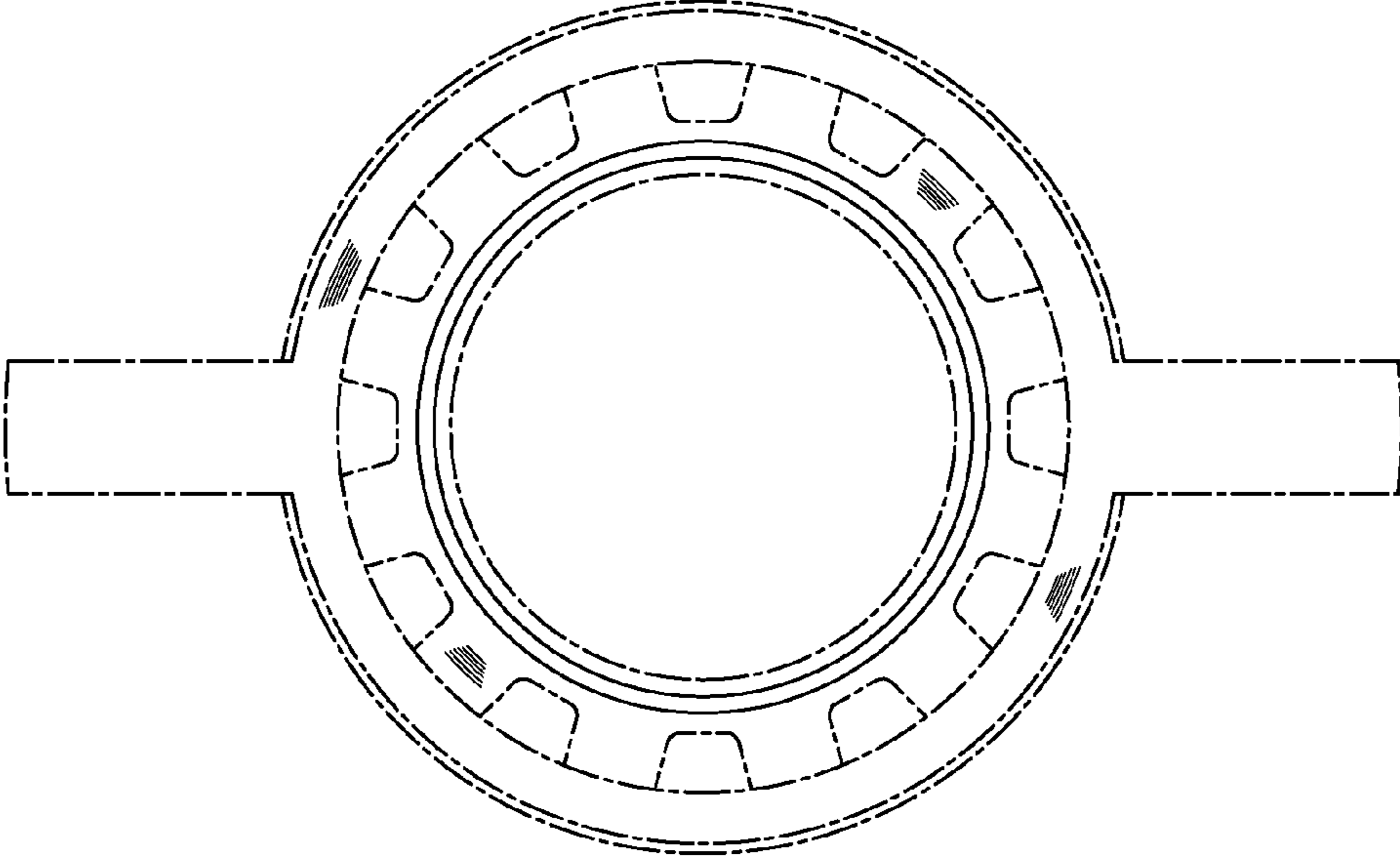


FIG. 6

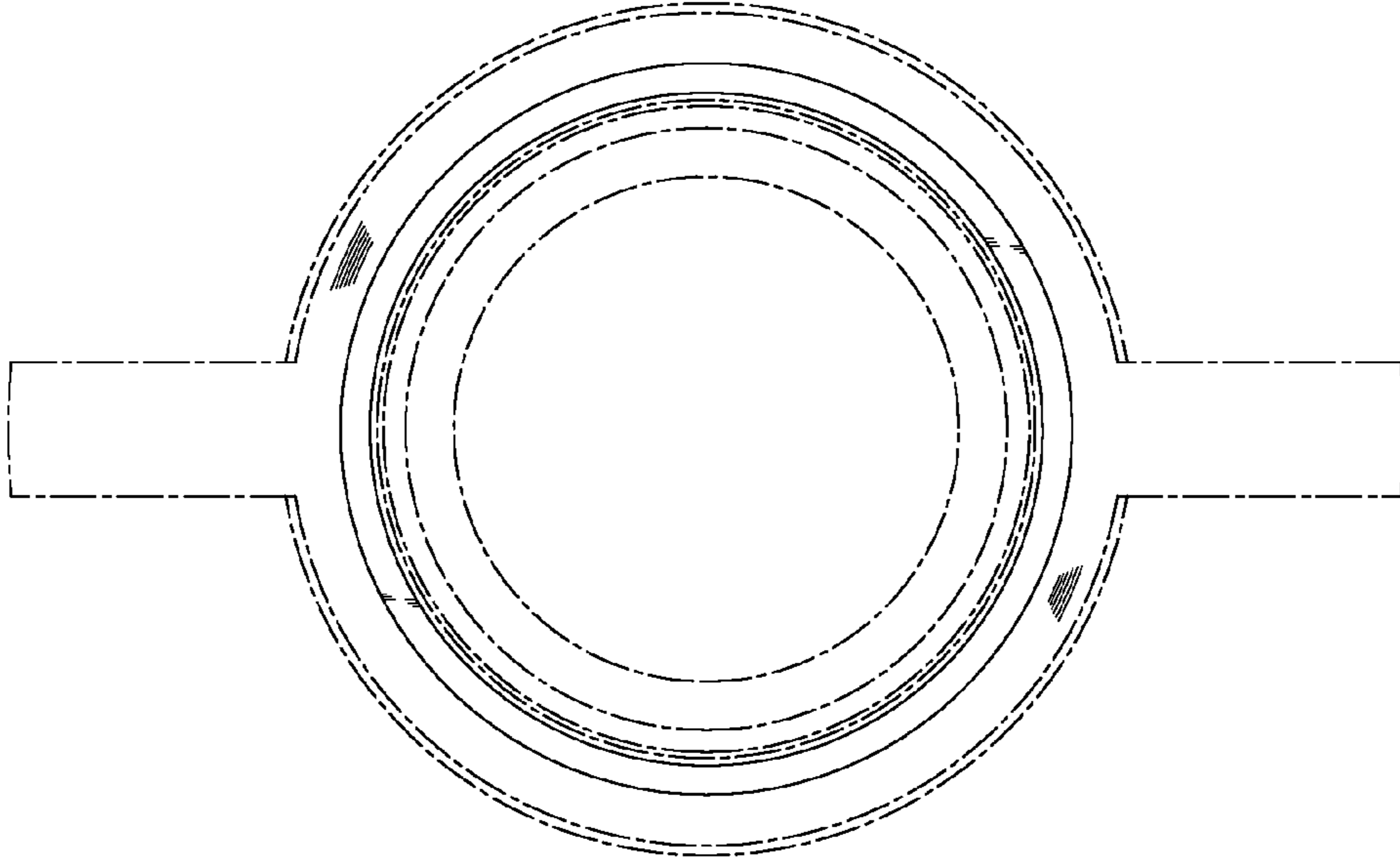


FIG. 5