

US00D646224S

(12) **United States Design Patent**
Guo

(10) **Patent No.:** **US D646,224 S**

(45) **Date of Patent:** **** Oct. 4, 2011**

(54) **ELECTRICAL SOCKET**

(75) Inventor: **Zhimin Guo**, Cerritos, CA (US)

(73) Assignee: **R.A. Phillips Industries, Inc.**, Santa Fe Springs, CA (US)

(**) Term: **14 Years**

(21) Appl. No.: **29/382,332**

(22) Filed: **Dec. 31, 2010**

(51) **LOC (9) Cl.** **13-03**

(52) **U.S. Cl.** **D13/147; D13/156**

(58) **Field of Classification Search** D13/133,
D13/146-147, 154, 156, 184, 199; 439/252,
439/271, 275, 277, 278, 279, 281, 283, 374,
439/378, 379, 380, 381, 445, 447, 578, 583,
439/584, 892, 894, 927

See application file for complete search history.

(56) **References Cited**

U.S. PATENT DOCUMENTS

D152,275 S * 1/1949 Ludwig D13/146
D324,205 S * 2/1992 Maki et al. D13/133

D328,279 S * 7/1992 Couto et al. D13/133
D481,679 S * 11/2003 Garver D13/133
D588,540 S * 3/2009 Barnes et al. D13/139.1

* cited by examiner

Primary Examiner — Daniel Bui

(74) *Attorney, Agent, or Firm* — Christie, Parker & Hale, LLP

(57) **CLAIM**

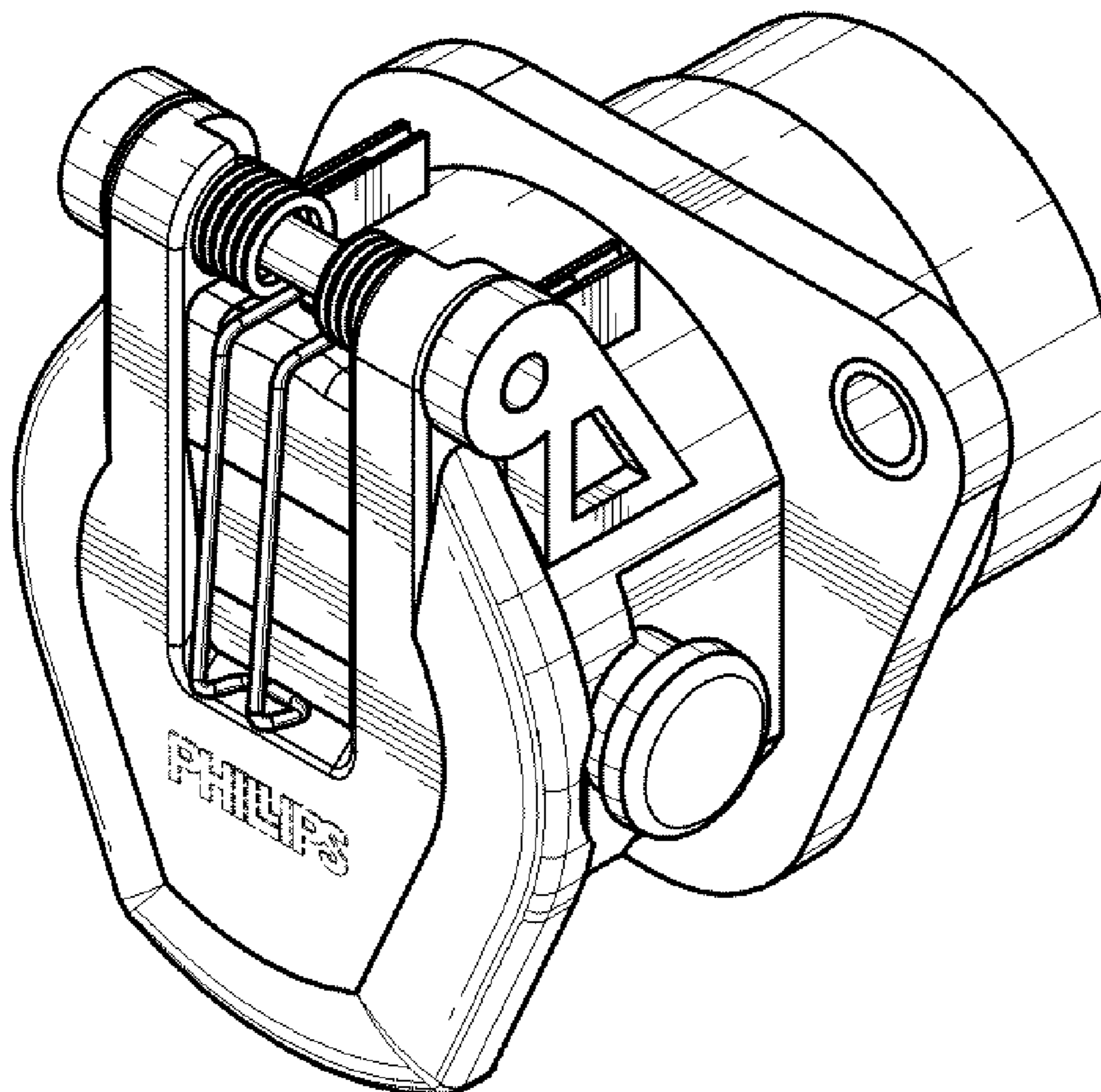
The ornamental design for an electrical socket, as shown and described.

DESCRIPTION

FIG. 1 is a front perspective view of an electrical socket showing my new design;
FIG. 2 is a front elevational view thereof;
FIG. 3 is a right elevational view thereof;
FIG. 4 is a top plan view thereof;
FIG. 5 is a bottom plan view thereof;
FIG. 6 is a left elevational view thereof; and,
FIG. 7 is a rear elevational view thereof.

The even-broken line in the figure drawings is included for the purpose of illustrating environment and forms no part of the claimed design.

1 Claim, 3 Drawing Sheets



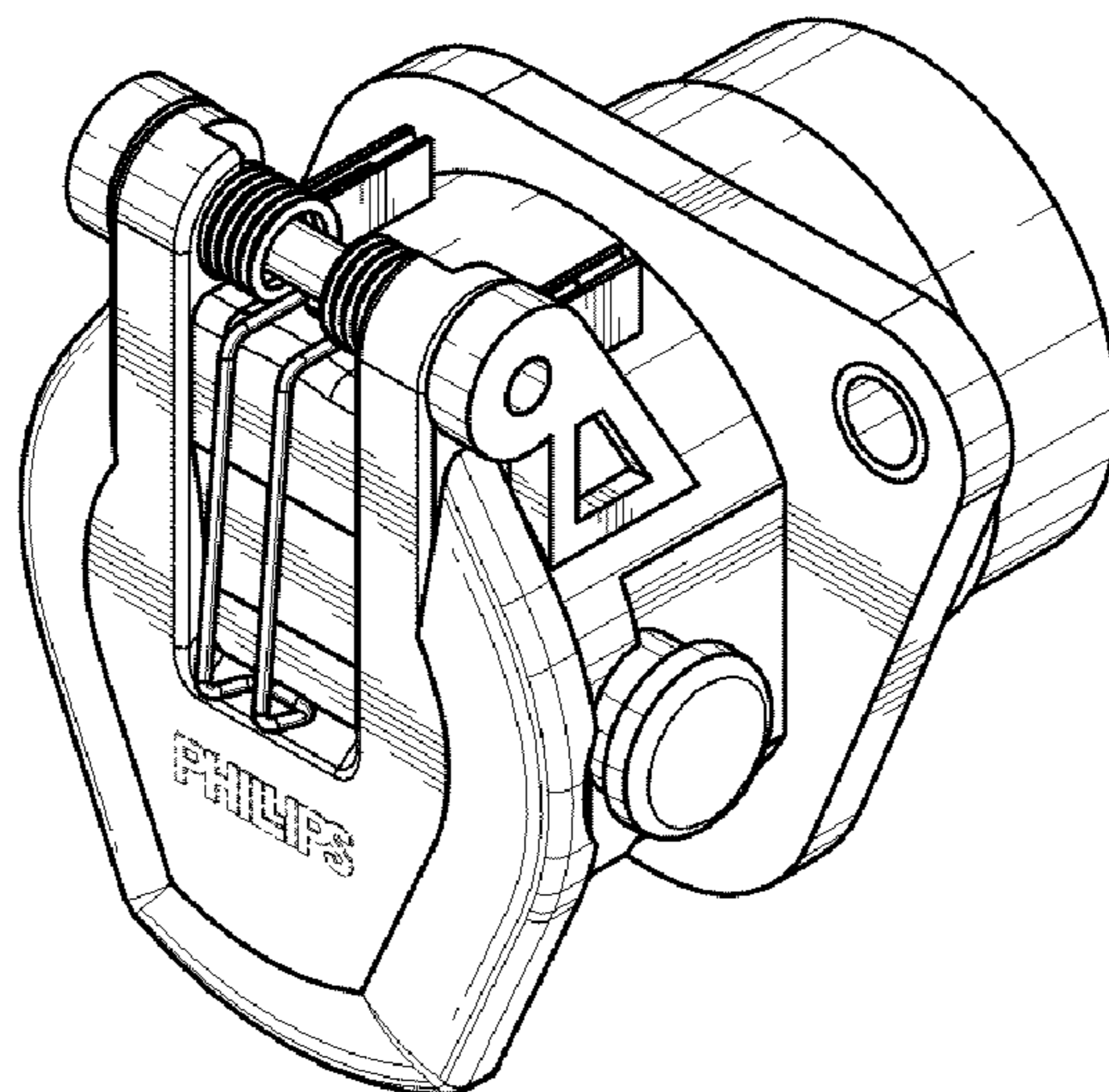


FIG. 1

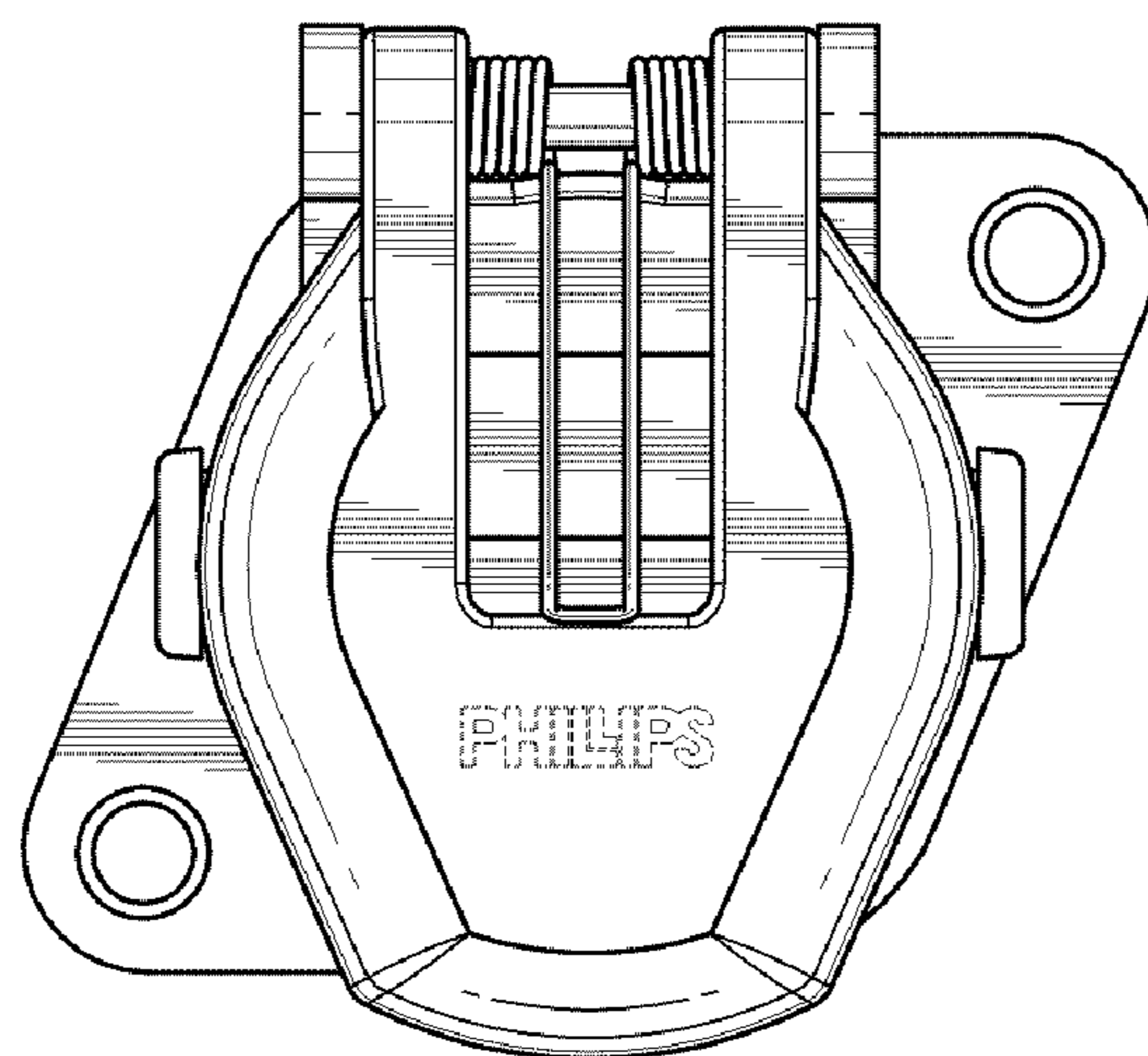


FIG. 2

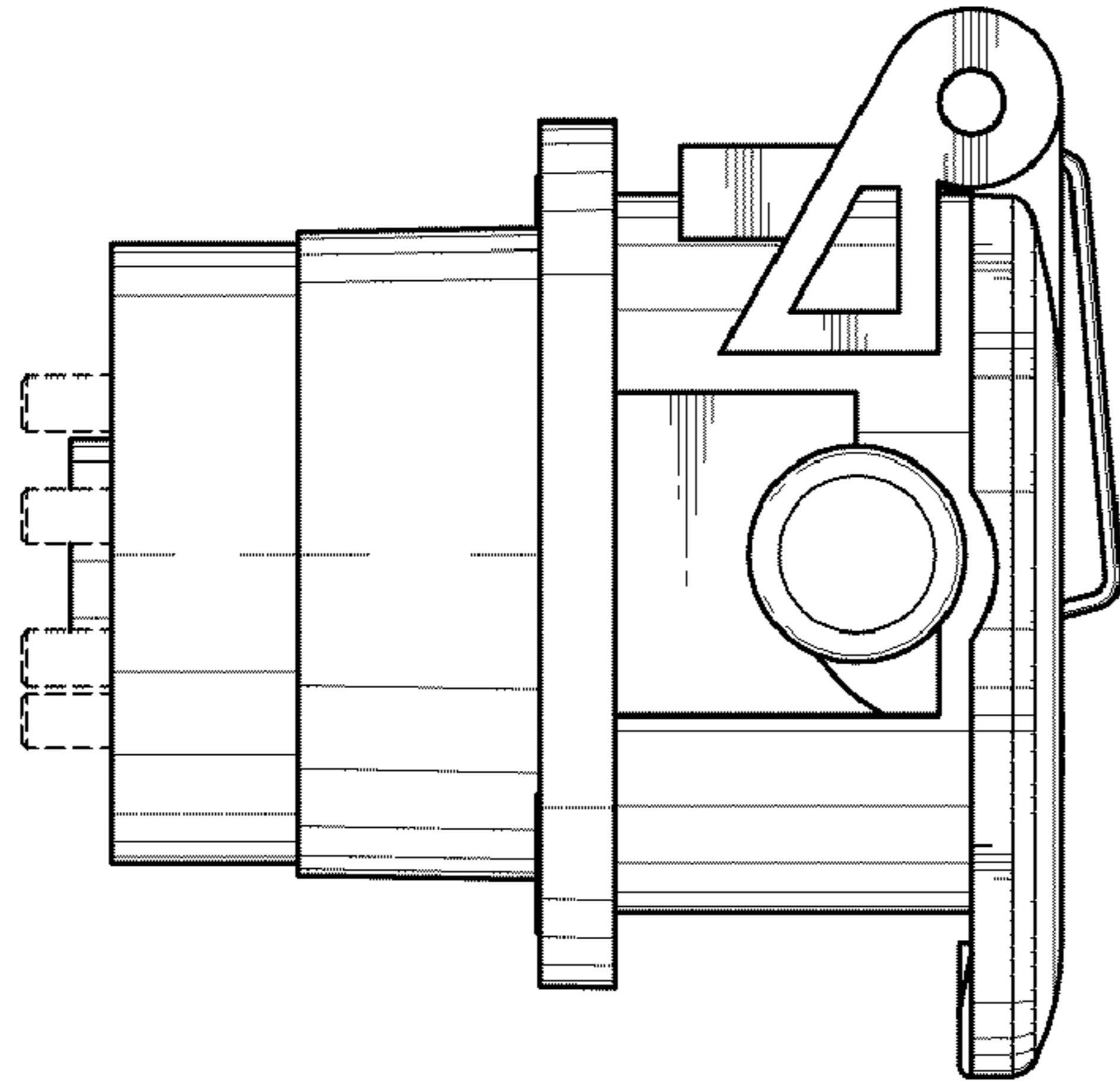


FIG. 3

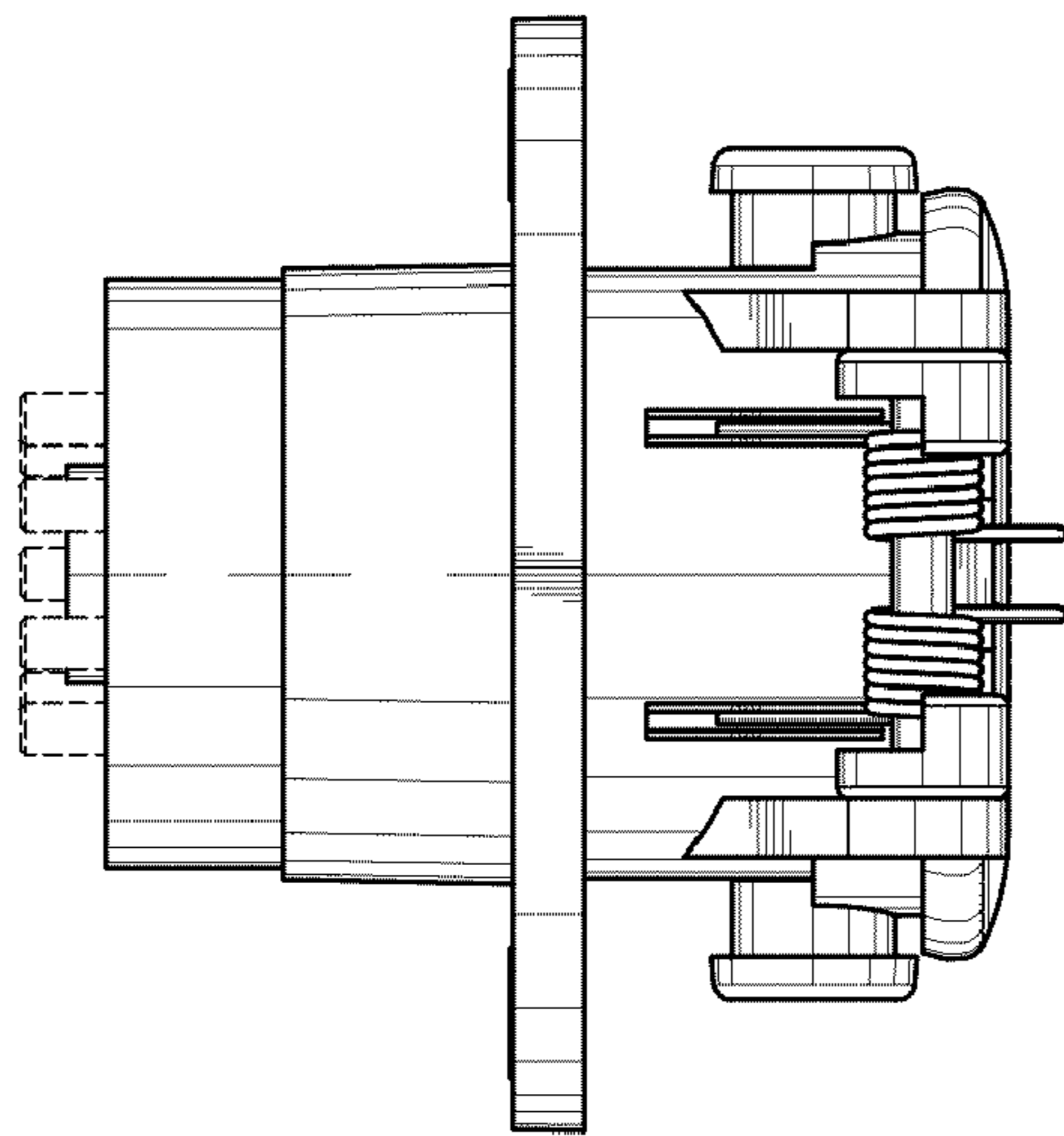


FIG. 4

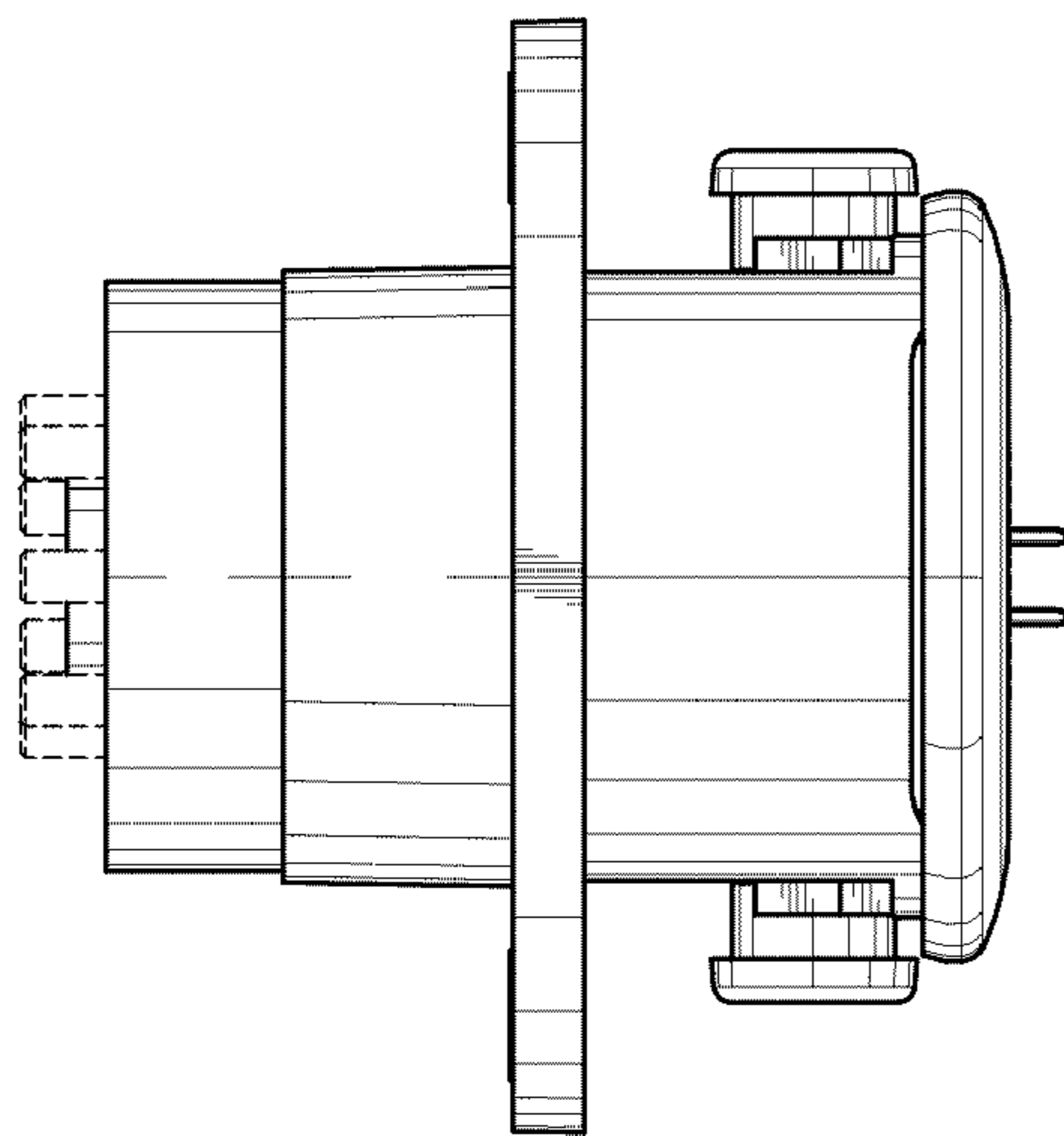


FIG. 5

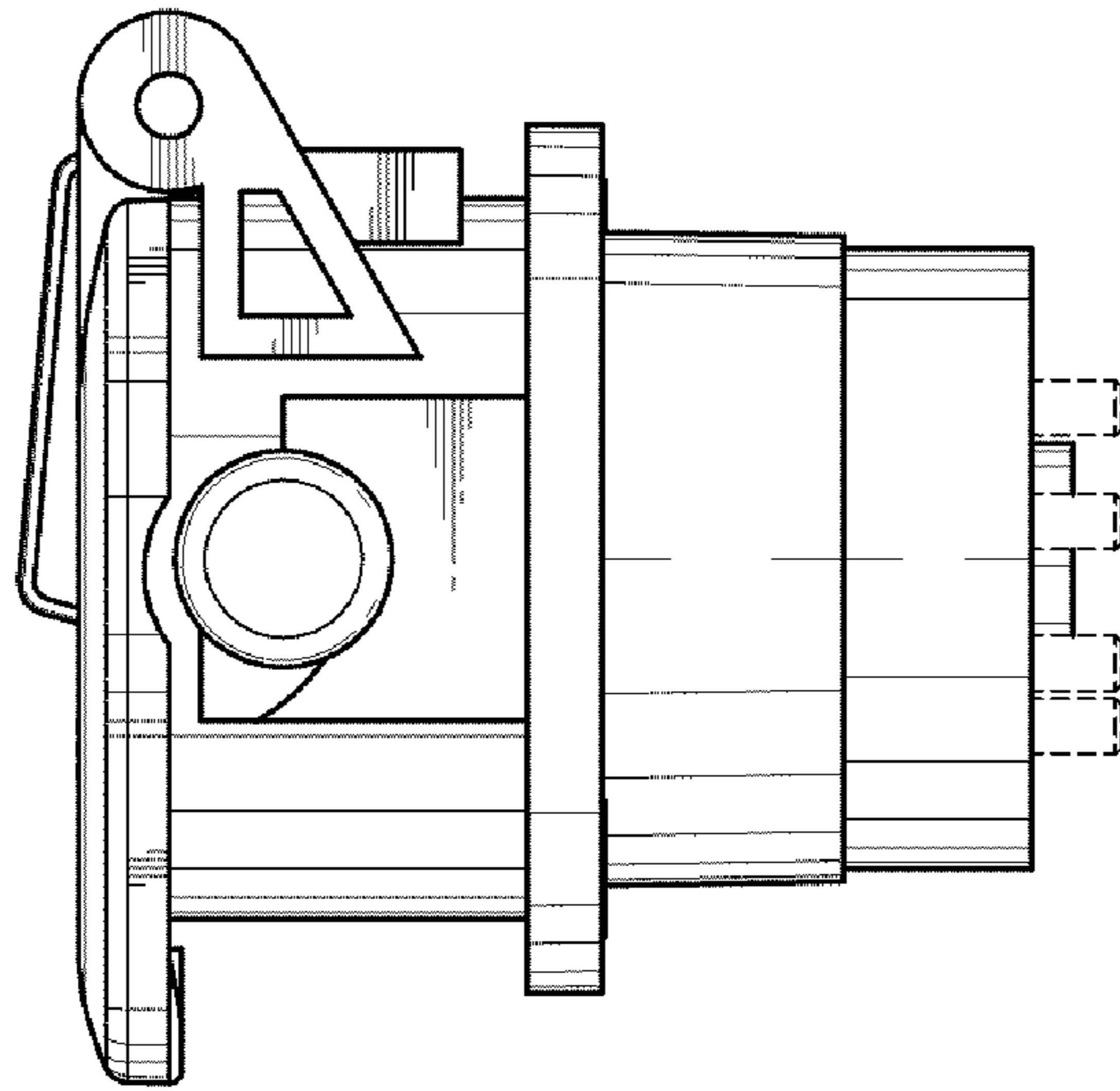


FIG. 6

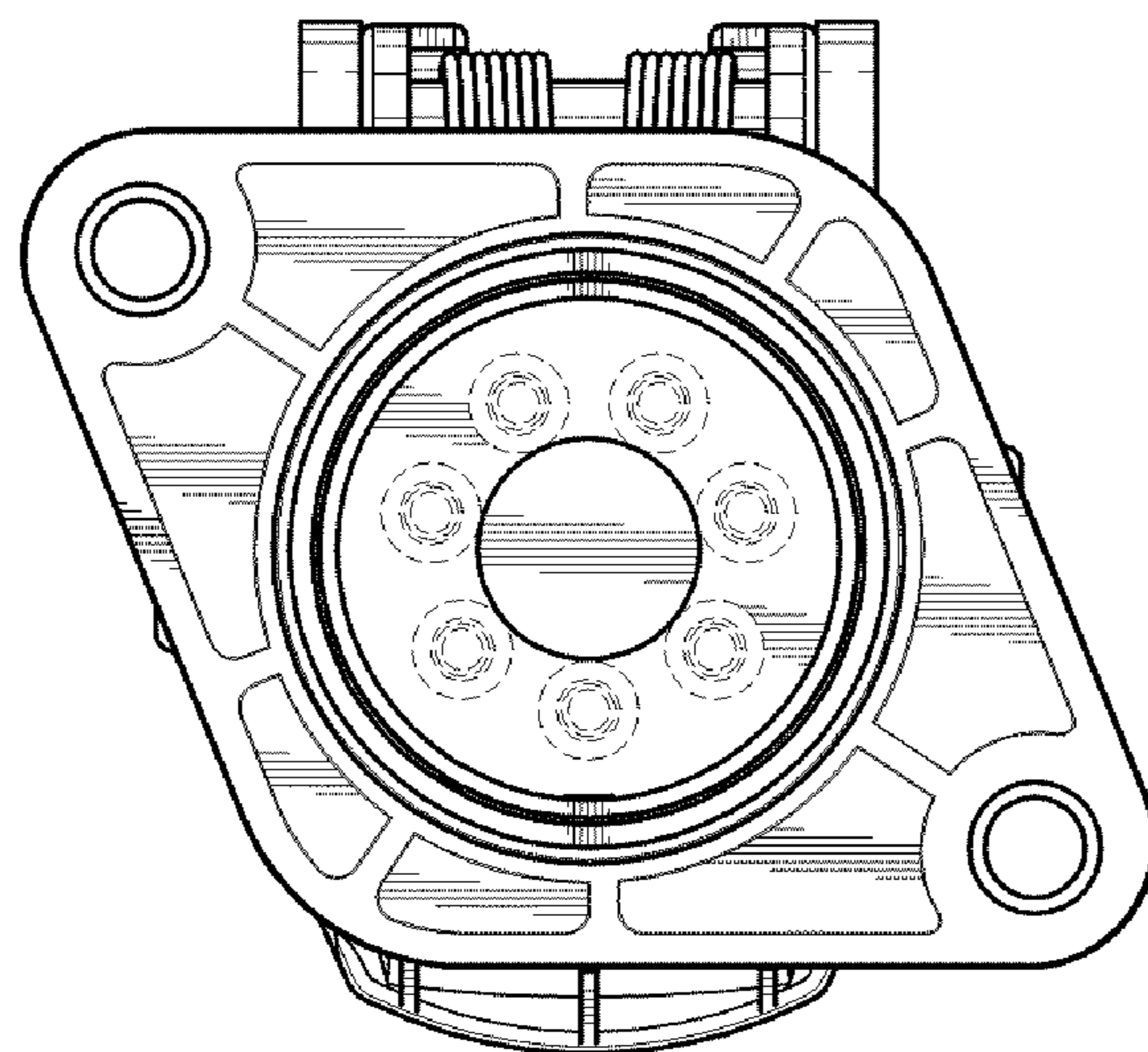


FIG. 7