



US00D646223S

(12) **United States Design Patent**
Gouhl et al.

(10) **Patent No.:** **US D646,223 S**
(45) **Date of Patent:** **** Oct. 4, 2011**

- (54) **MODULAR MALE CONNECTOR**
- (75) Inventors: **Erik Jeffrey Gouhl**, Fayetteville, GA (US); **Shi Qiang Yuan**, Shang Hai (CN); **Darron Kirby Lacey**, Peachtree City, GA (US)
- (73) Assignee: **Cooper Technologies Company**, Houston, TX (US)
- (**) Term: **14 Years**
- (21) Appl. No.: **29/351,064**
- (22) Filed: **Nov. 30, 2009**
- (51) **LOC (9) Cl.** **13-03**
- (52) **U.S. Cl.** **D13/146**
- (58) **Field of Classification Search** D13/133, D13/146, 147, 154, 156, 184; 439/266, 345, 439/350, 352, 357, 358, 595, 660, 680, 682, 439/752

See application file for complete search history.

(56) **References Cited**

U.S. PATENT DOCUMENTS

3,325,769	A *	6/1967	Travis	439/496
D210,533	S *	3/1968	Pauza	D13/147
D367,465	S	2/1996	Becker		
D381,628	S	7/1997	Ashida		
D412,312	S	7/1999	Myers		
D425,869	S *	5/2000	Yokomizo et al.	D13/147
D479,199	S *	9/2003	Jones et al.	D13/147
D479,826	S	9/2003	Verfuerrth et al.		
D531,959	S *	11/2006	Kondas	D13/147
D531,960	S *	11/2006	Kondas	D13/147
D539,743	S	4/2007	Langer et al.		
D543,149	S	5/2007	Huang et al.		
D543,505	S	5/2007	Wang		
D544,845	S	6/2007	Askeland et al.		
D552,036	S	10/2007	Holland		
D553,087	S	10/2007	Ashida et al.		
D555,594	S	11/2007	So		
D556,102	S	11/2007	Horner et al.		

D556,133	S	11/2007	Wang
D556,140	S	11/2007	Sakamoto
D556,142	S	11/2007	Kudo et al.
D558,145	S	12/2007	Stavoe et al.
D559,182	S	1/2008	Rector, III et al.
D559,187	S	1/2008	Hayashi
D559,189	S	1/2008	Arai et al.
D559,785	S	1/2008	Tosetti
D560,167	S	1/2008	Malis et al.
D560,168	S	1/2008	McCoy
D560,610	S	1/2008	McCoy
D560,613	S	1/2008	McEvoy et al.
D560,614	S	1/2008	McEvoy et al.
D561,101	S	2/2008	Sakamoto
D561,103	S	2/2008	Grant
D561,104	S	2/2008	Sakamoto
D561,107	S	2/2008	Cuff et al.
D561,108	S	2/2008	Cuff et al.
D561,111	S	2/2008	Howard
D561,698	S	2/2008	Cuff et al.
D562,242	S	2/2008	Yang
D562,248	S	2/2008	Howerton et al.
D562,769	S	2/2008	Ashida et al.
D562,775	S	2/2008	Cuff et al.

(Continued)

Primary Examiner — Daniel Bui

(74) *Attorney, Agent, or Firm* — King & Spalding LLP

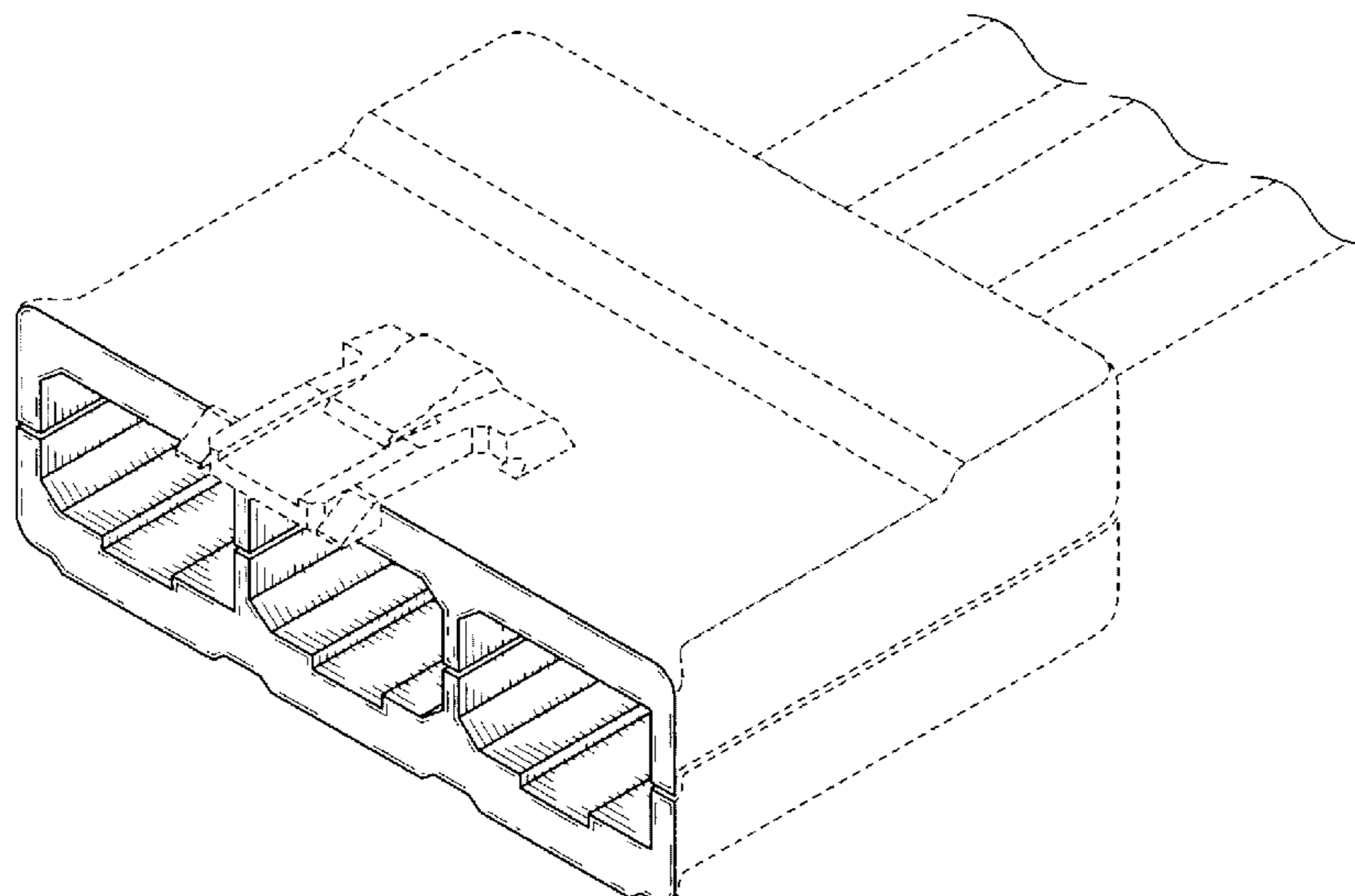
(57) **CLAIM**

The ornamental design for a modular male connector, as shown and described.

DESCRIPTION

FIG. 1 is a perspective view of a modular male connector, showing our new design;
 FIG. 2 is a front elevation view thereof;
 FIG. 3 is a left-side elevation view thereof;
 FIG. 4 is a right-side elevation view thereof;
 FIG. 5 is a top plan view thereof; and,
 FIG. 6 is a bottom plan view thereof.
 The broken lines shown represent unclaimed subject matter and form no part of the claimed design.

1 Claim, 3 Drawing Sheets



US D646,223 S

Page 2

U.S. PATENT DOCUMENTS

D563,877 S	3/2008	Grant	D570,783 S	6/2008	So
D563,878 S	3/2008	Grant	D573,079 S	7/2008	Huet
D563,879 S	3/2008	Grant	D573,106 S	7/2008	Shu et al.
D563,880 S	3/2008	Grant	D574,329 S	8/2008	So
D563,883 S	3/2008	Dever	D574,772 S	8/2008	Sutter
D563,884 S	3/2008	Dever	D574,773 S *	8/2008	Sutter D13/133
D563,885 S	3/2008	Dever	D574,786 S	8/2008	Askeland et al.
D563,886 S	3/2008	Dever	D575,234 S	8/2008	Zayas
D563,887 S	3/2008	Dever	D575,237 S	8/2008	Shiga et al.
D563,888 S	3/2008	Dever	D575,742 S	8/2008	Scherer et al.
D564,452 S	3/2008	Kudo	D581,366 S *	11/2008	Knepper D13/154
D564,453 S	3/2008	Kudo	7,510,429 B1	3/2009	Savicki, Jr. et al.
D564,962 S	3/2008	Chen et al.	D609,191 S *	2/2010	Feldvoss et al. D13/154
D564,963 S	3/2008	Sakamoto	7,762,836 B2	7/2010	Rubin et al.
D564,968 S	3/2008	Sakamoto	7,851,704 B2	12/2010	Fitch et al.
D565,981 S	4/2008	Radecke et al.	2004/0214464 A1 *	10/2004	Fukushima et al. 439/271

* cited by examiner

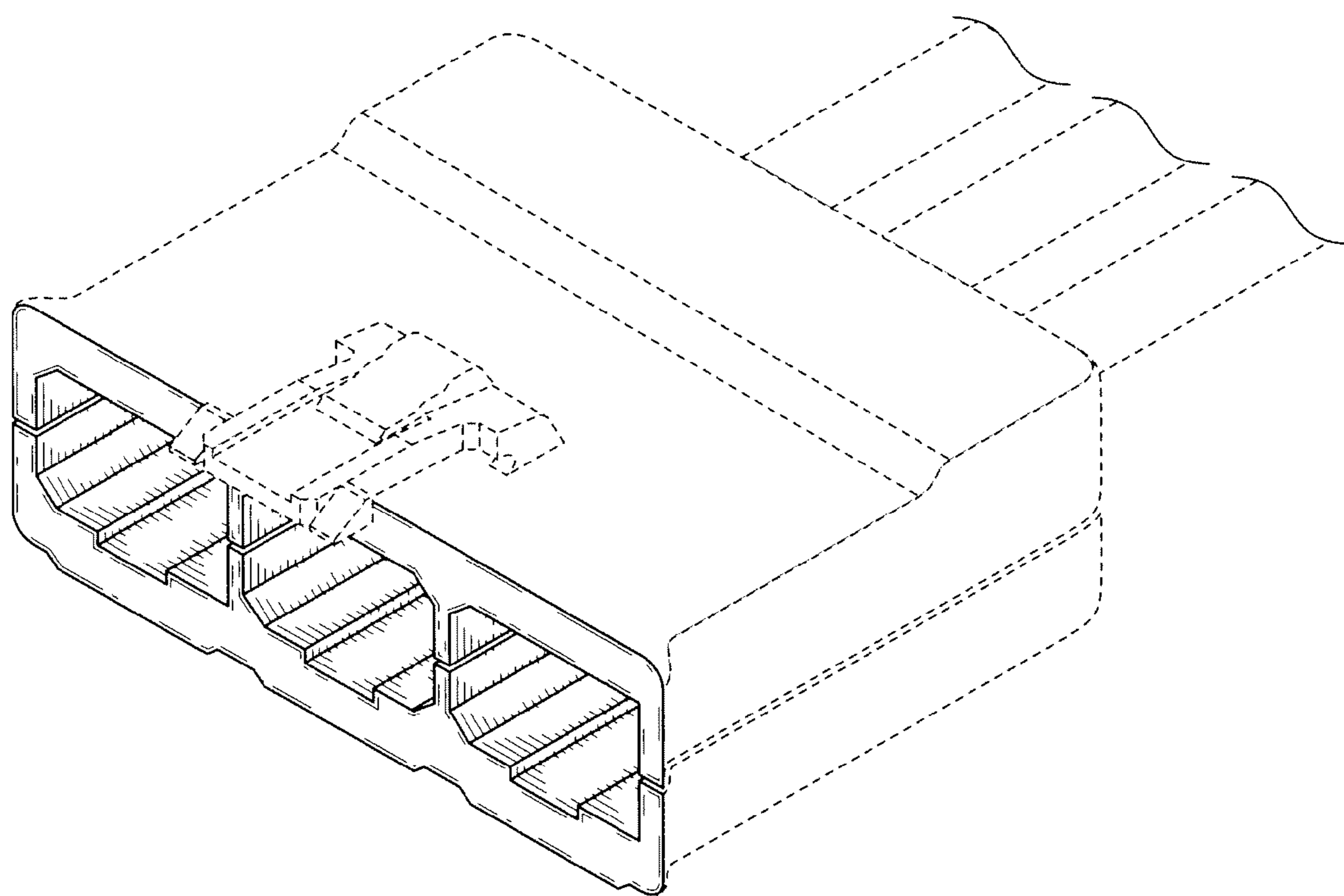


FIG. 1

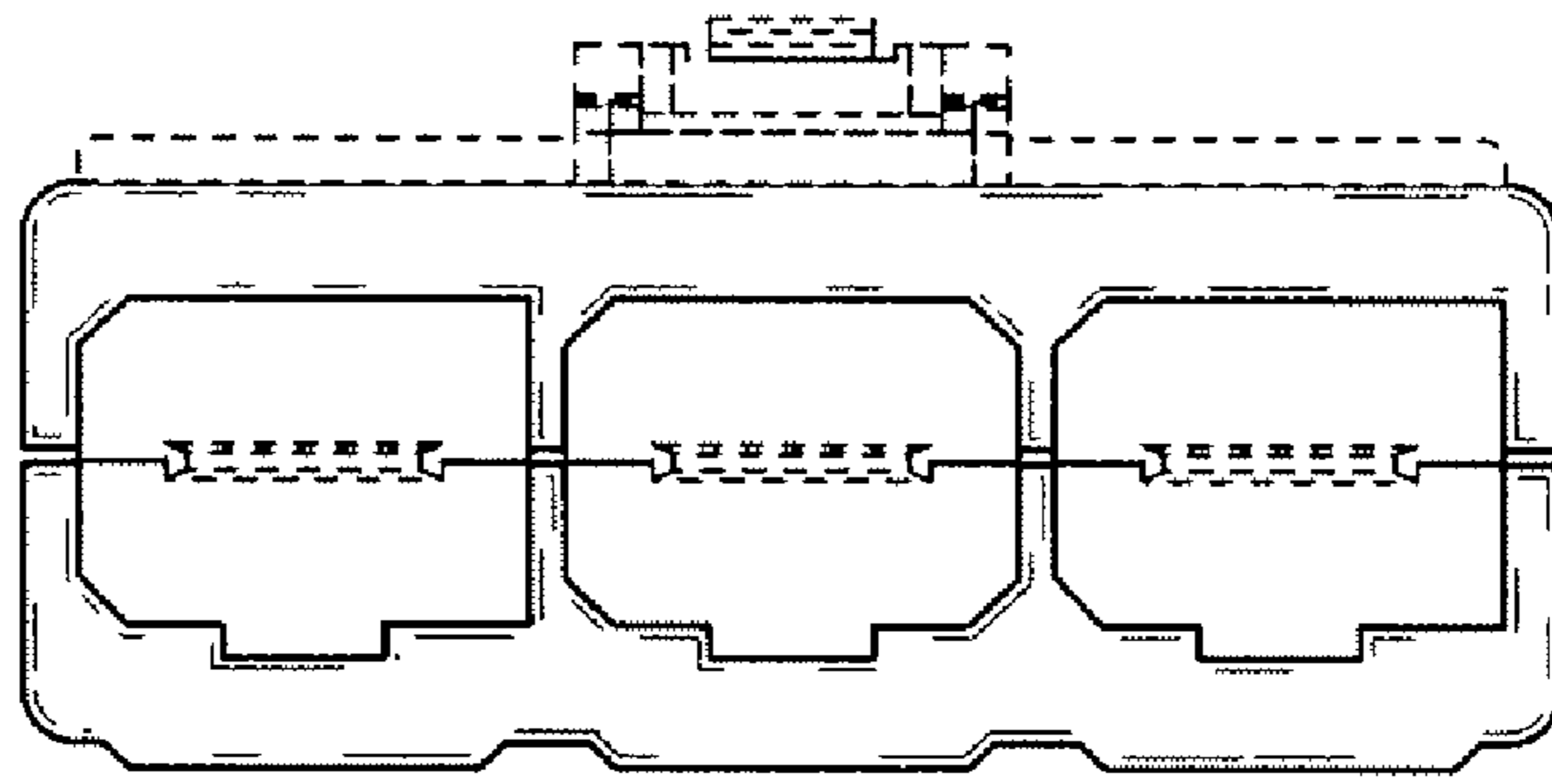


FIG. 2

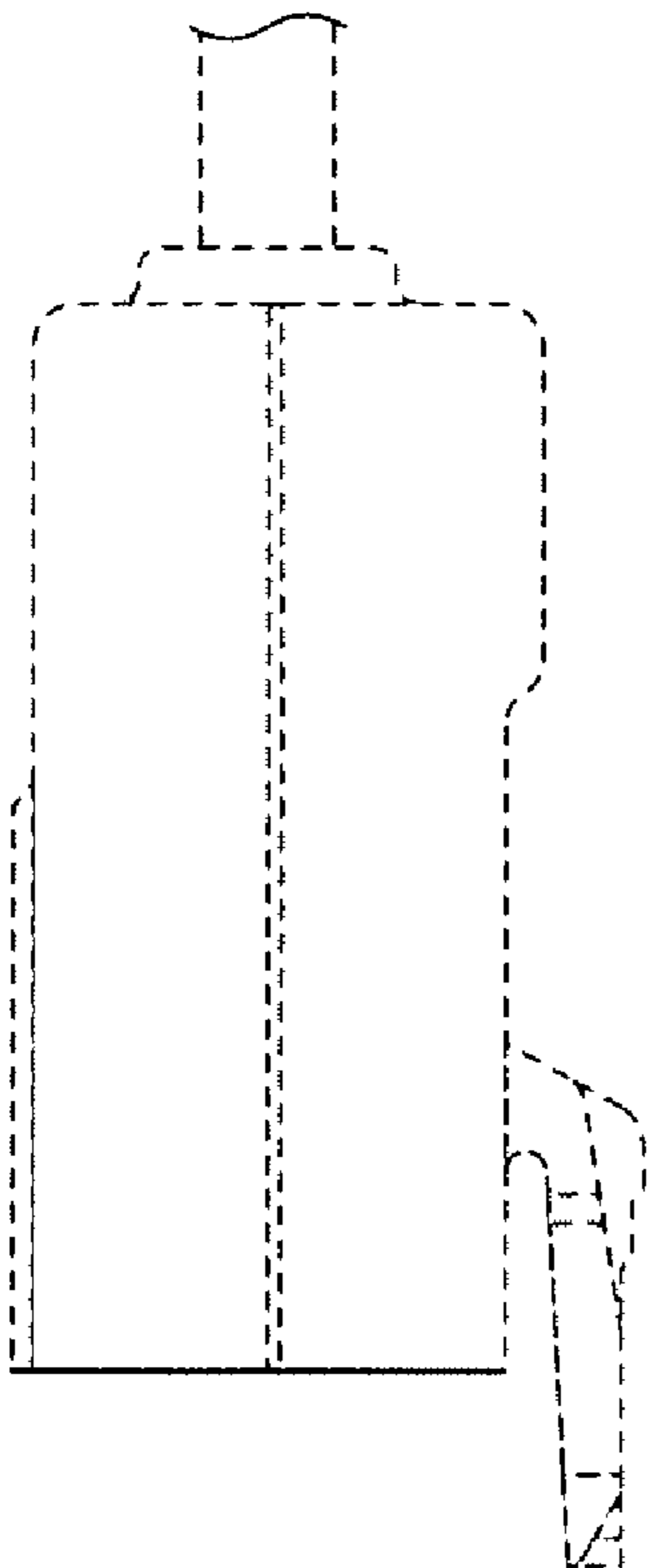


FIG. 3

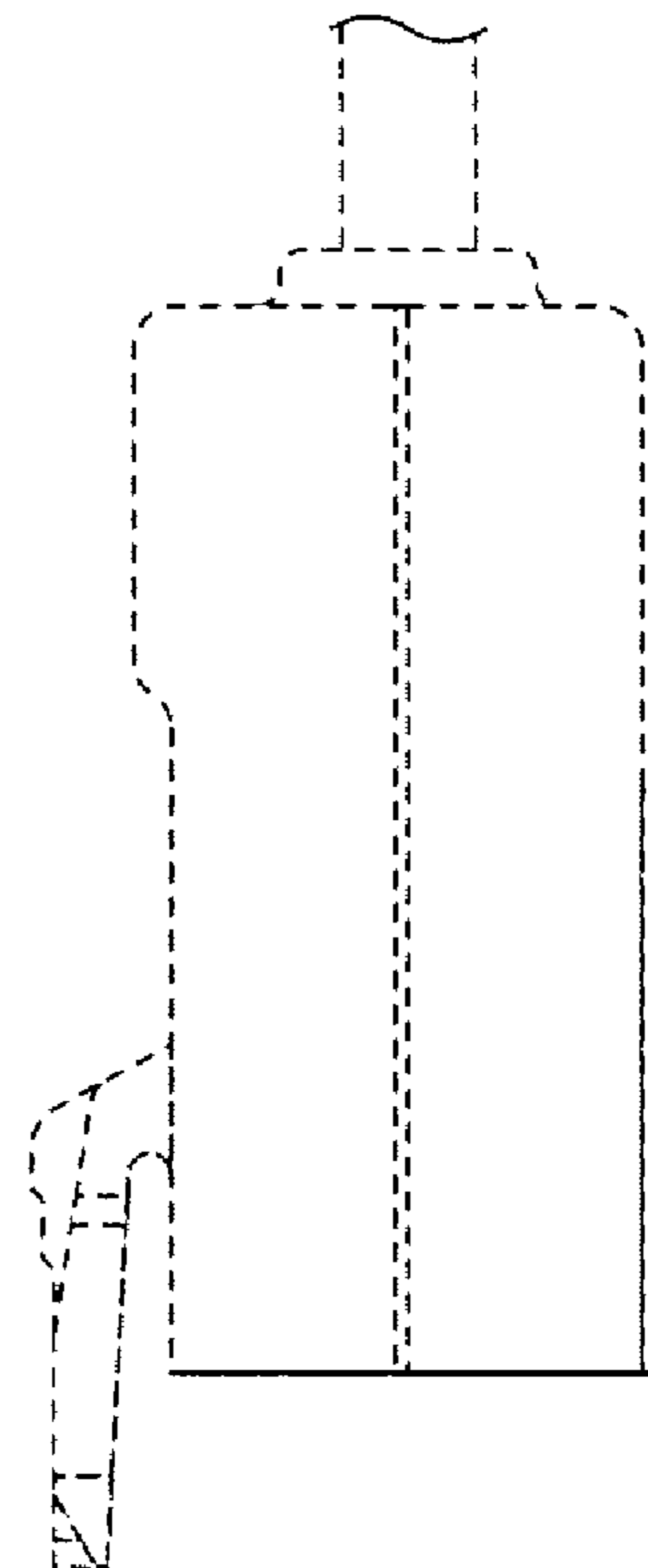


FIG. 4

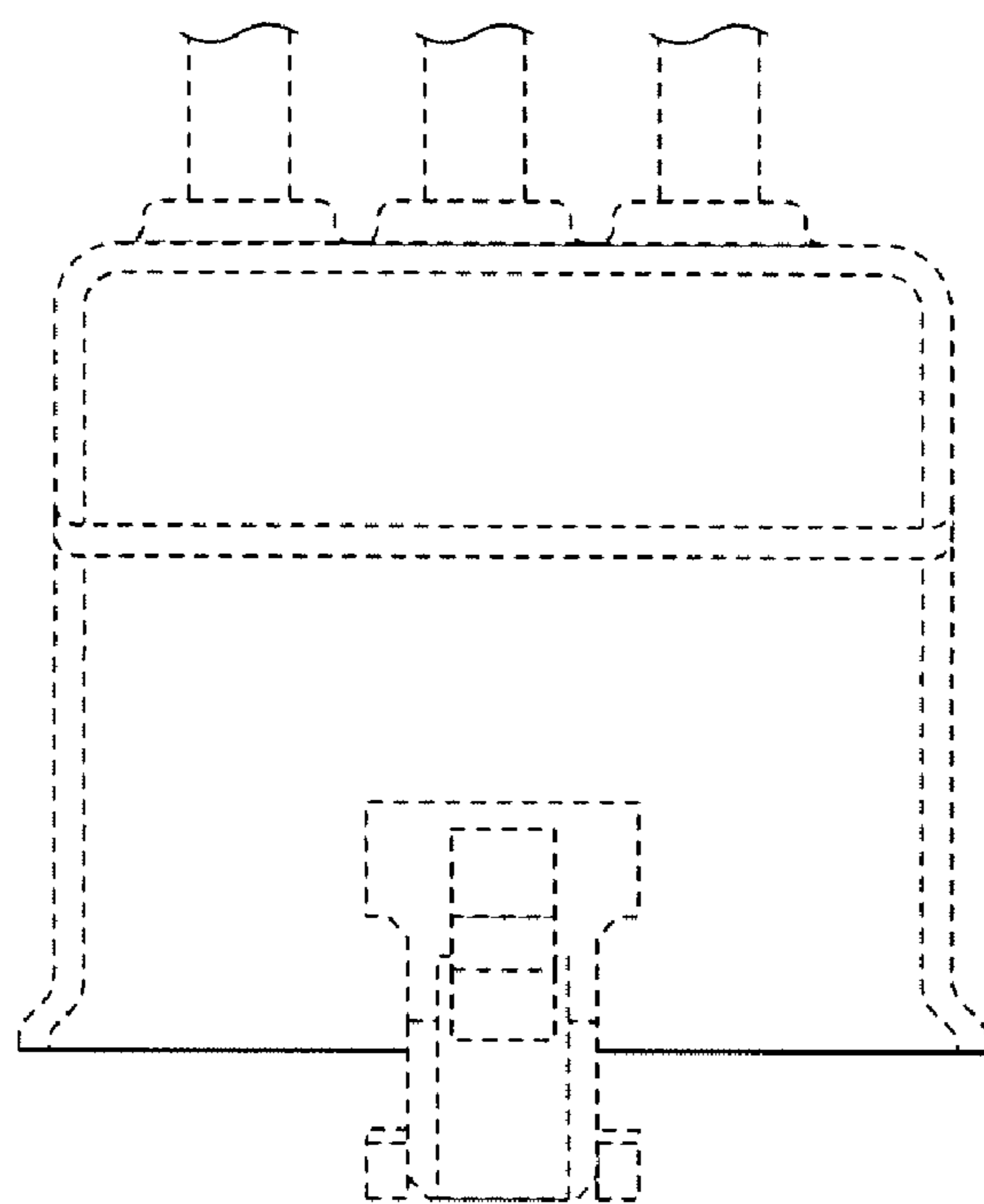


FIG. 5

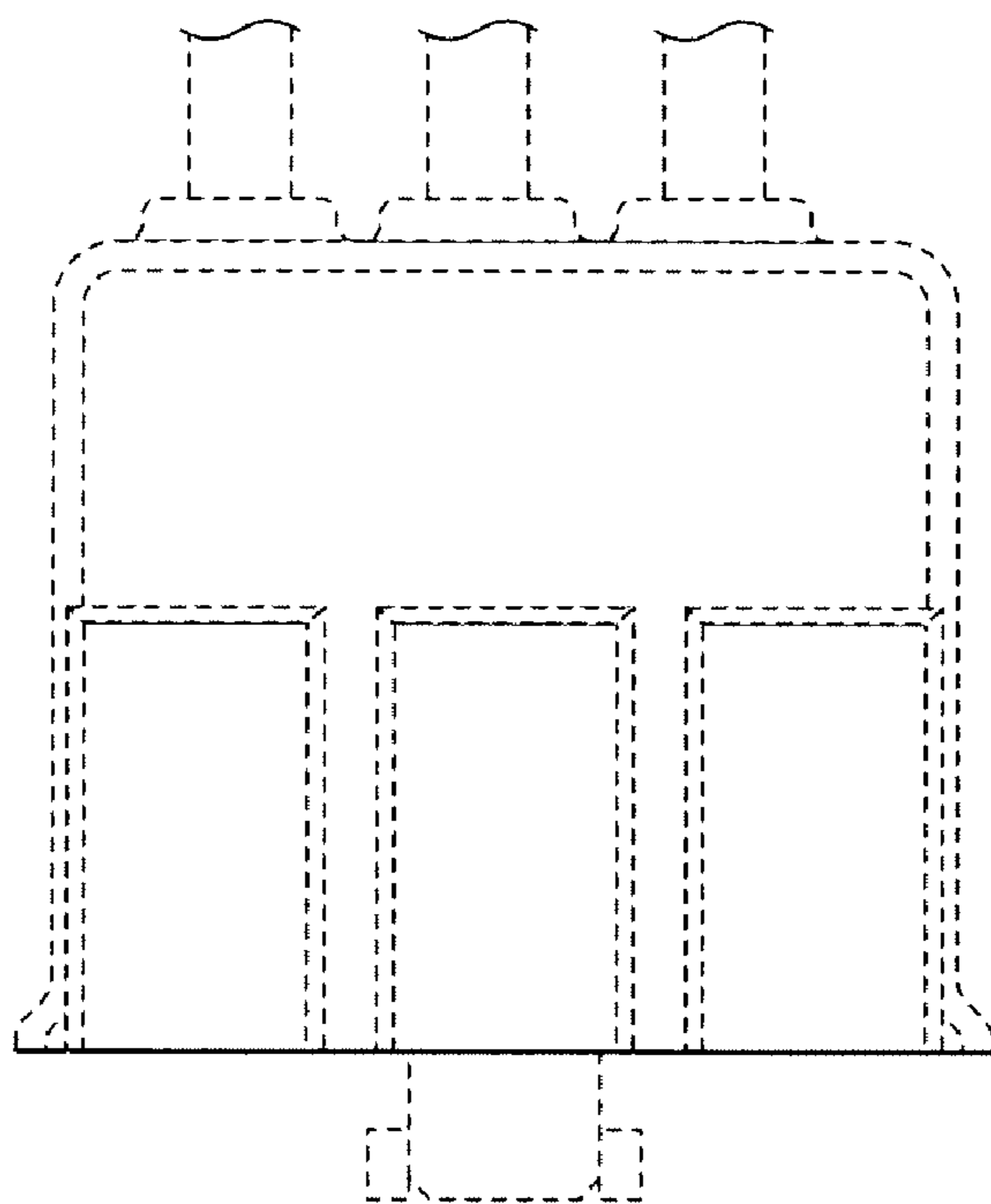


FIG. 6