



US00D646222S

(12) **United States Design Patent**
Tatehata et al.

(10) **Patent No.:** **US D646,222 S**

(45) **Date of Patent:** **** Oct. 4, 2011**

(54) **BATTERY**

(75) Inventors: **Shouji Tatehata**, Tokyo (JP); **Atsuhiko Kumagai**, Tokyo (JP); **Osamu Nagashima**, Tokyo (JP)

(73) Assignee: **Sony Corporation**, Tokyo (JP)

(**) Term: **14 Years**

(21) Appl. No.: **29/371,527**

(22) Filed: **Apr. 4, 2011**

Related U.S. Application Data

(63) Continuation of application No. 29/347,574, filed on Mar. 5, 2010, now Pat. No. Des. 635,512.

(30) **Foreign Application Priority Data**

Jan. 6, 2010	(JP)	D2010-000252
Jan. 6, 2010	(JP)	D2010-000255
Jan. 6, 2010	(JP)	D2010-000258
Jan. 6, 2010	(JP)	D2010-000266

(51) **LOC (9) Cl.** **13-02**

(52) **U.S. Cl.** **D13/103**

(58) **Field of Classification Search** D13/102-106,
D13/110, 118-121, 184, 199; 429/96-100,
429/163, 176, 187

See application file for complete search history.

(56) **References Cited**

U.S. PATENT DOCUMENTS

D243,615 S	3/1977	Kaye	
D414,158 S *	9/1999	Frye et al. D13/103
D509,182 S	9/2005	Takeshita et al.	
D516,018 S	2/2006	Ohsako et al.	

(Continued)

FOREIGN PATENT DOCUMENTS

CN 3471844 S 8/2005

(Continued)

Primary Examiner — Rosemary K Tarcza

(74) *Attorney, Agent, or Firm* — Rader, Fishman & Grauer PLLC

(57) **CLAIM**

The ornamental design for a battery, as shown and described.

DESCRIPTION

FIG. 1 is a perspective view of a battery showing our new design;

FIG. 2 is a front elevational view thereof;

FIG. 3 is a rear elevational view thereof;

FIG. 4 is a left side elevational view thereof;

FIG. 5 is a right side elevational view thereof;

FIG. 6 is a top plan view thereof; and

FIG. 7 is a bottom plan view thereof.

FIG. 8 is an enlarged cross sectional view along the lines 8-8 of FIGS. 2 and 6; and

FIG. 9 is an enlarged cross sectional view along the lines 9-9 of FIGS. 2 and 6.

FIG. 10 is a perspective view of another embodiment of a battery showing our new design;

FIG. 11 is a front elevational view thereof;

FIG. 12 is a rear elevational view thereof;

FIG. 13 is a left side elevational view thereof;

FIG. 14 is a right side elevational view thereof;

FIG. 15 is a top plan view thereof; and

FIG. 16 is a bottom plan view thereof.

FIG. 17 is an enlarged reference cross sectional view along the lines 17-17 of FIGS. 11 and 15; and

FIG. 18 is an enlarged reference cross sectional view along the lines 18-18 of FIGS. 11 and 15.

FIG. 19 is a perspective view of still another embodiment of a battery showing our new design;

FIG. 20 is a front elevational view thereof;

FIG. 21 is a rear elevational view thereof;

FIG. 22 is a left side elevational view thereof;

FIG. 23 is a right side elevational view thereof;

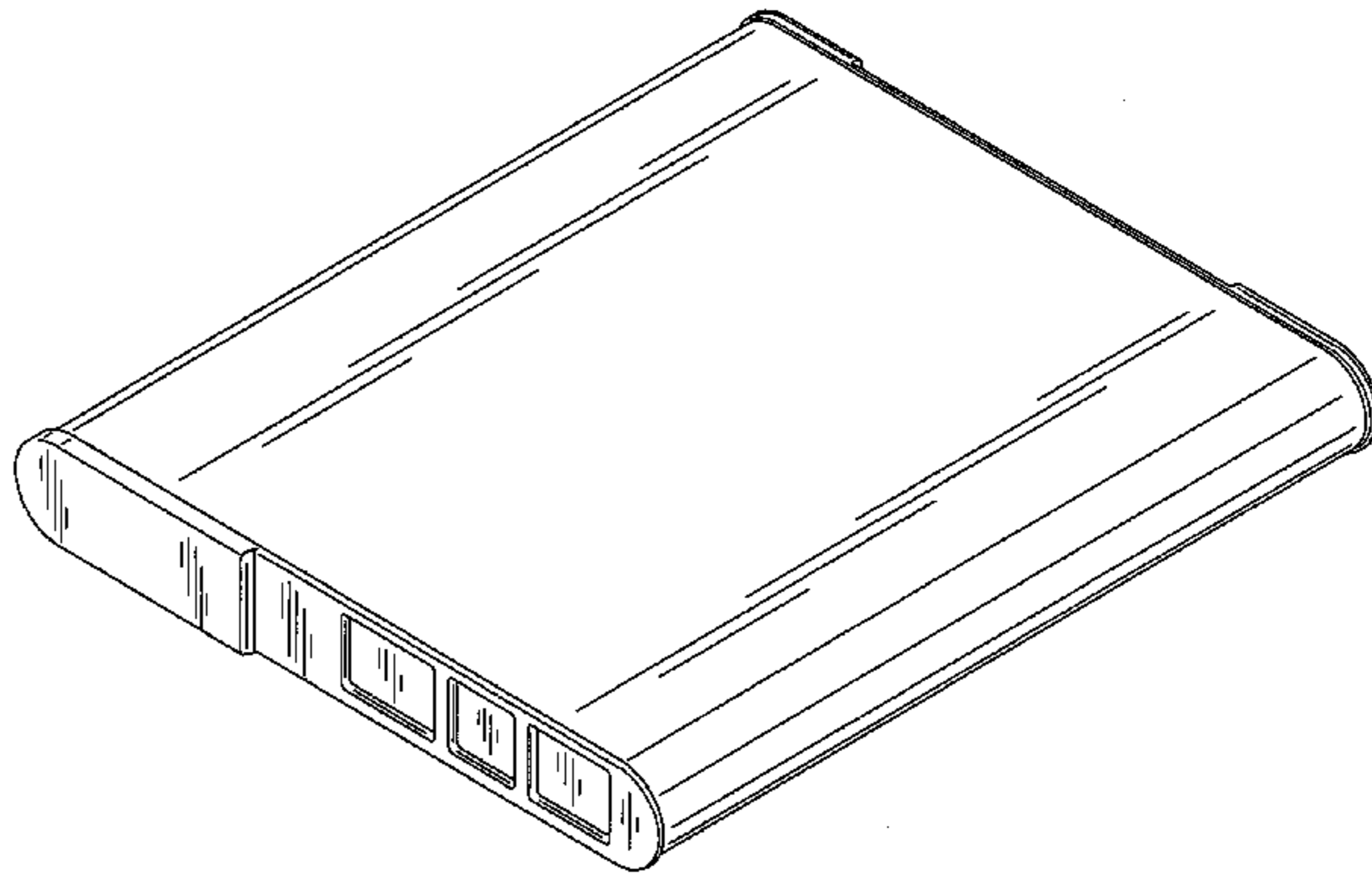
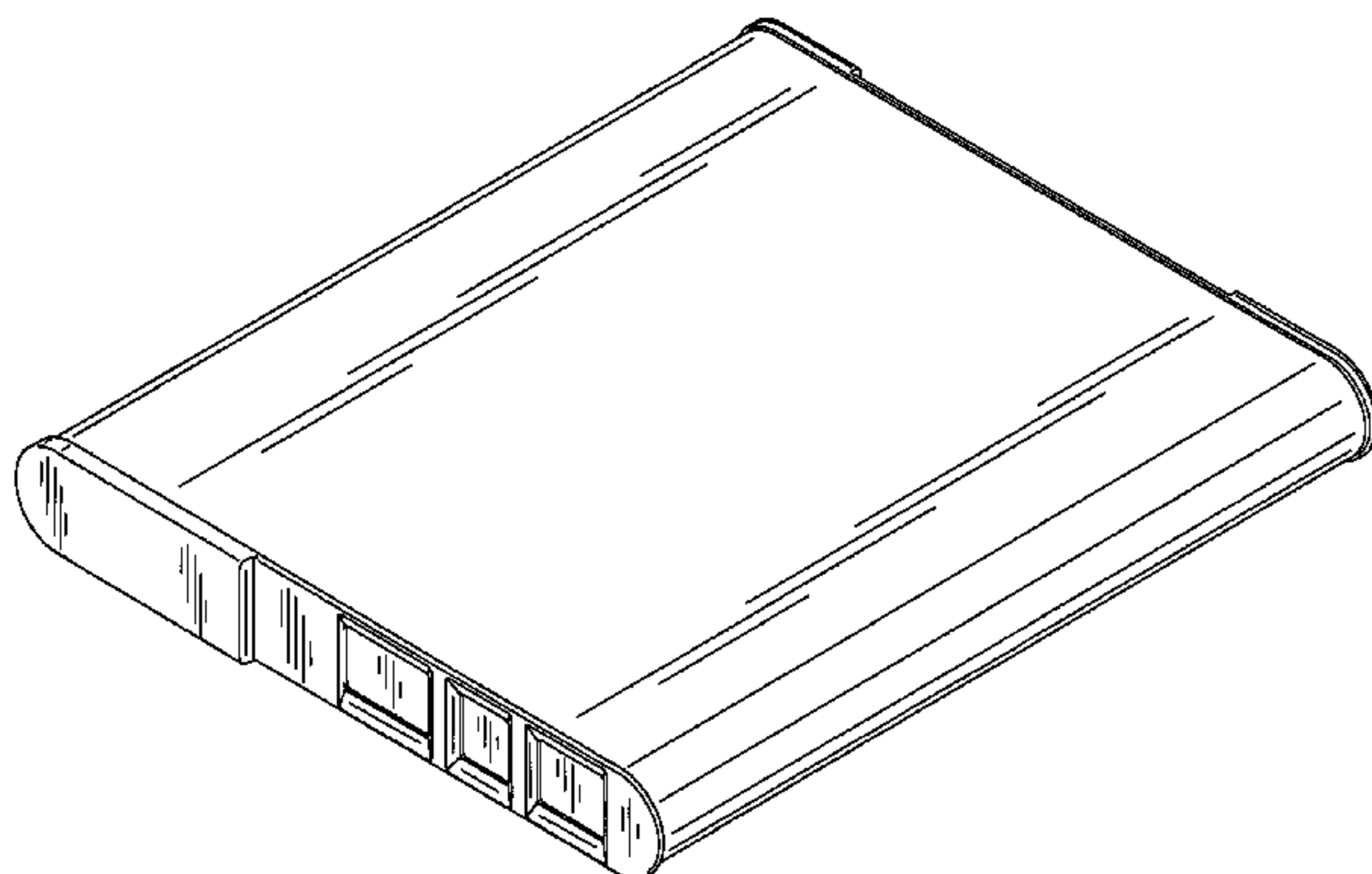
FIG. 24 is a top plan view thereof; and

FIG. 25 is a bottom plan view thereof.

FIG. 26 is an enlarged reference cross sectional view along the lines 26-26 of FIGS. 20 and 24; and,

FIG. 27 is an enlarged reference cross sectional view along the lines 27-27 of FIGS. 20 and 24.

1 Claim, 18 Drawing Sheets



US D646,222 S

Page 2

U.S. PATENT DOCUMENTS						
D516,019	S	2/2006	Ohsako et al.	CN	300738743 S	1/2008
D516,503	S	3/2006	Takeshita et al.	CN	300830320 S	9/2008
D529,437	S	10/2006	Miyashita	JP	D1141969 S	5/2002
D543,956	S	6/2007	Hayes et al.	JP	D1142063/1 S	5/2002
D556,687	S	12/2007	Miyamoto et al.	JP	D1142063/2 S	5/2002
D590,334	S	4/2009	Tatehata et al.	JP	D1142063 S	5/2002
D590,335	S	4/2009	Tatehata et al.	JP	D1142064 S	5/2002
D590,336	S	4/2009	Tatehata et al.	JP	D1142063/3 S	7/2002
D590,337	S	4/2009	Tatehata et al.	JP	D1167906 S	3/2003
D590,341	S	4/2009	Tatehata et al.	JP	D1174520 S	6/2003
D590,769	S	4/2009	Tatehata et al.	JP	D1201897 S	4/2004
D592,130	S	5/2009	Tatehata et al.	JP	D1245583 S	7/2005
D594,402	S	6/2009	Inoue et al.	JP	D1251190 S	9/2005
D601,494	S	10/2009	Otani et al.	JP	D1287538 S	12/2006
D608,276	S	1/2010	Takeshita et al.	JP	D1287897 S	12/2006
7,655,352	B2	2/2010	Heo et al.	JP	D1287898 S	12/2006
D619,959	S	7/2010	Takeshita et al.	JP	D1290911 S	1/2007
D622,213	S *	8/2010	Nomi et al.	JP	D1290912 S	1/2007
D623,590	S *	9/2010	Otani et al.	JP	D1311935 S	10/2007
2008/0305367	A1	12/2008	Baek et al.	JP	D1324317 S	3/2008
				JP	D1355276 S	4/2009
FOREIGN PATENT DOCUMENTS						
CN		3512340	S	3/2006		
CN		3646131	S	5/2007		

* cited by examiner

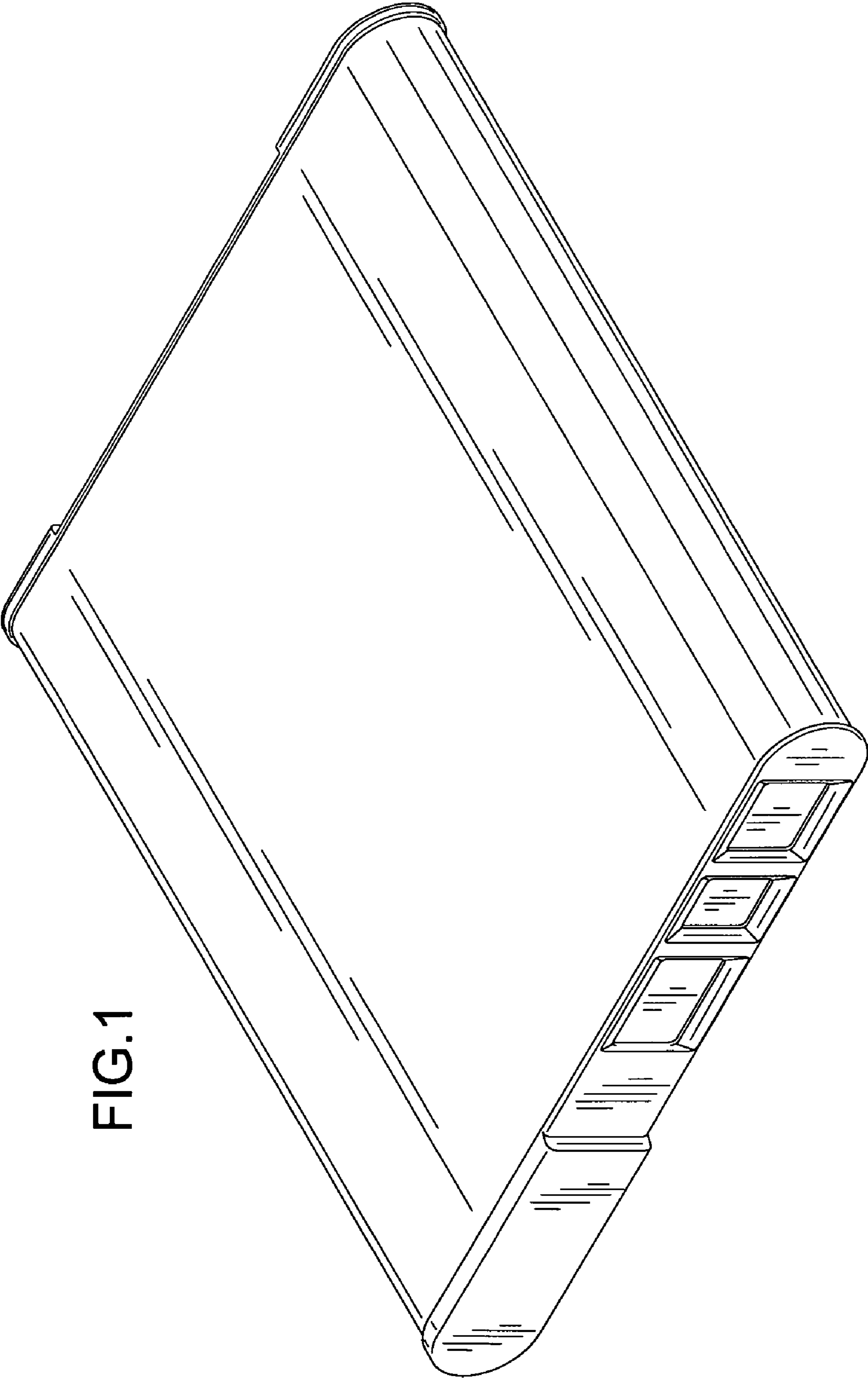


FIG.1

FIG.2

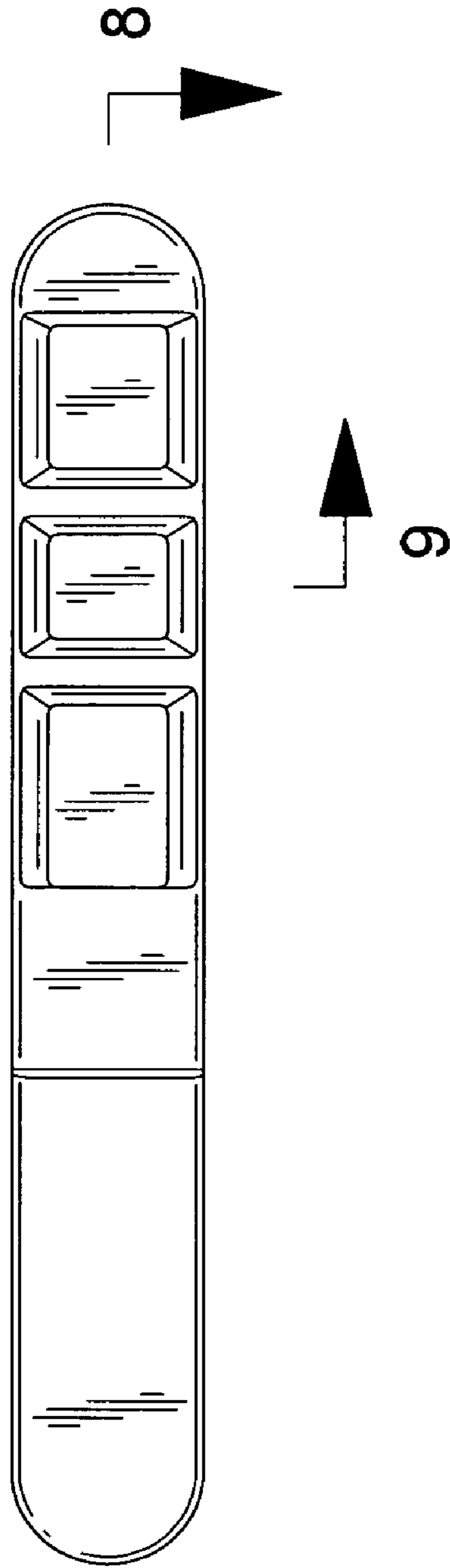


FIG.3

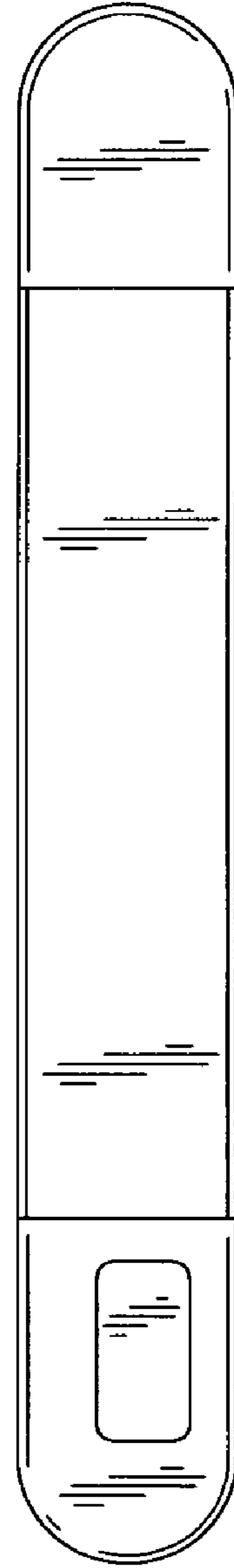


FIG.4

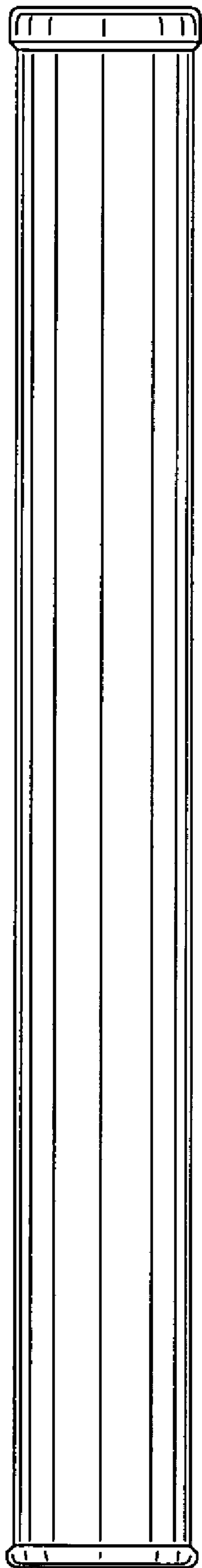


FIG.5

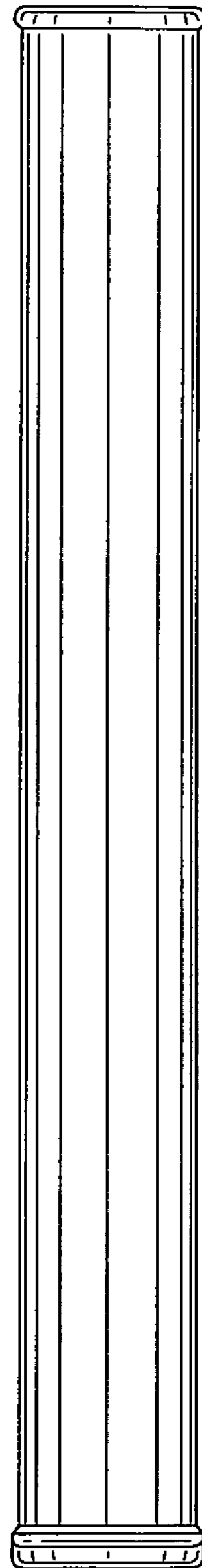


FIG.6

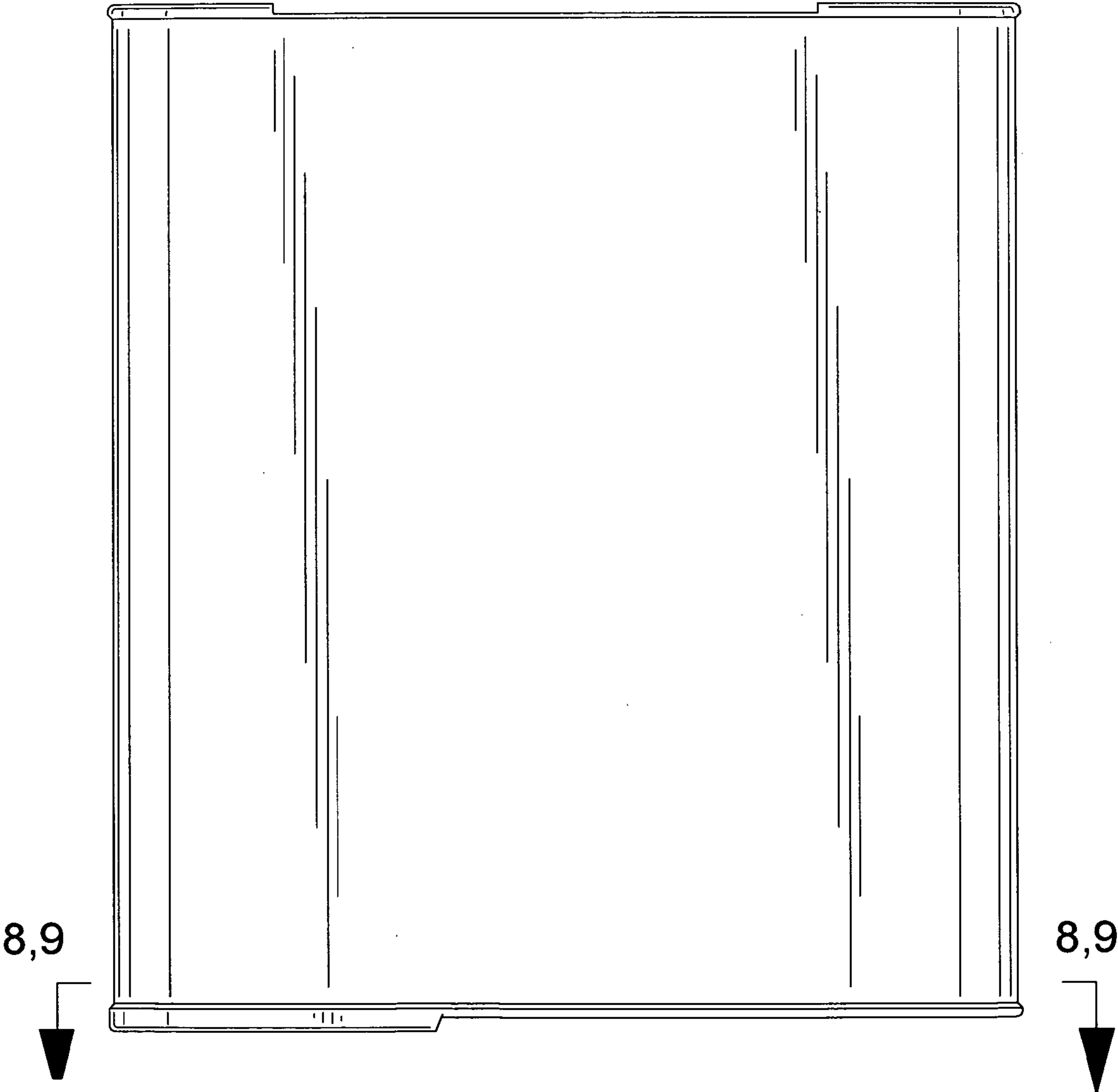


FIG.7

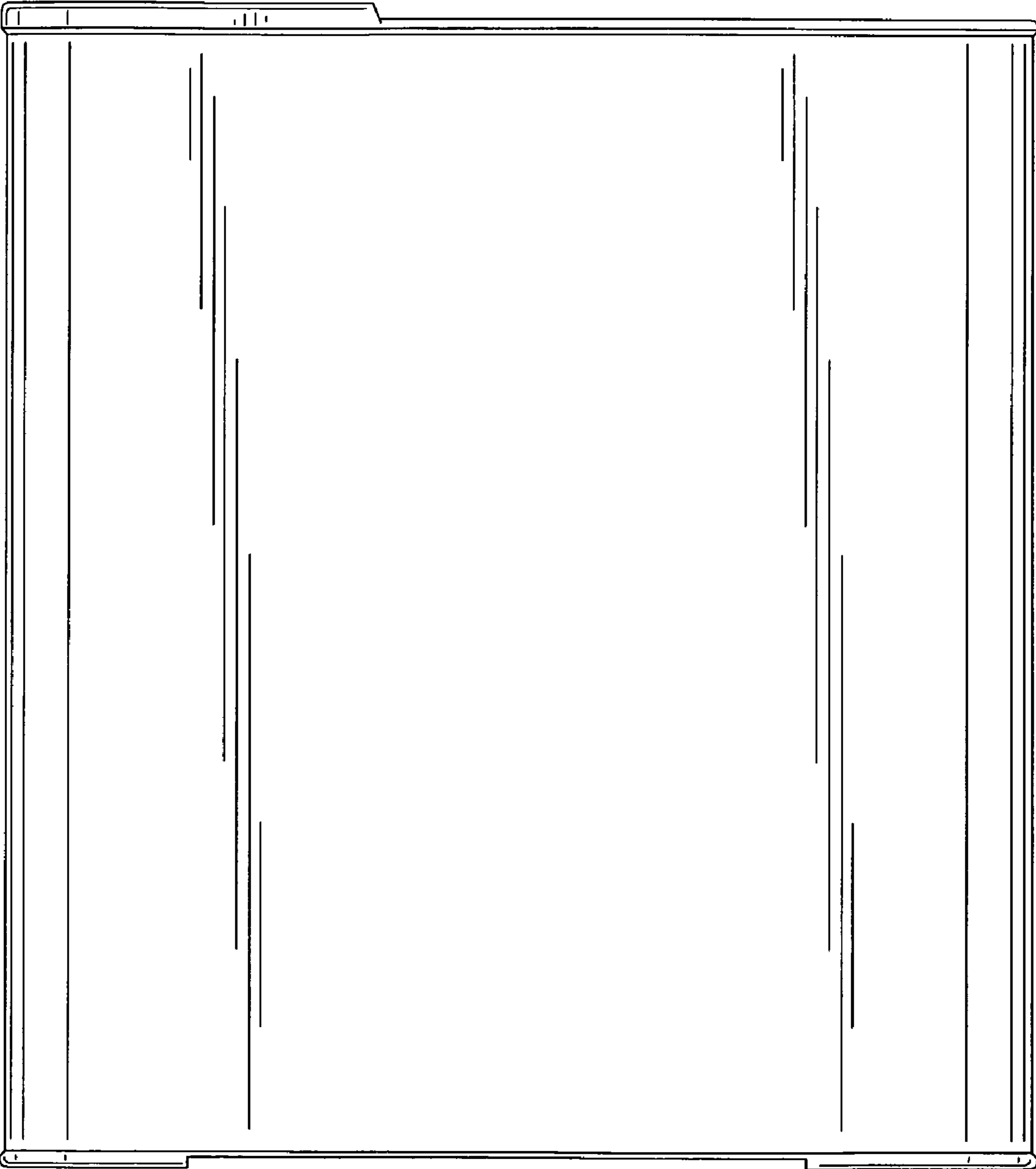


FIG.8

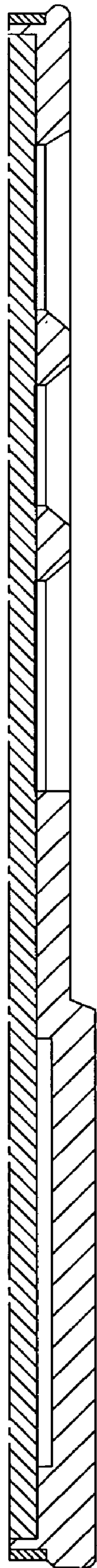
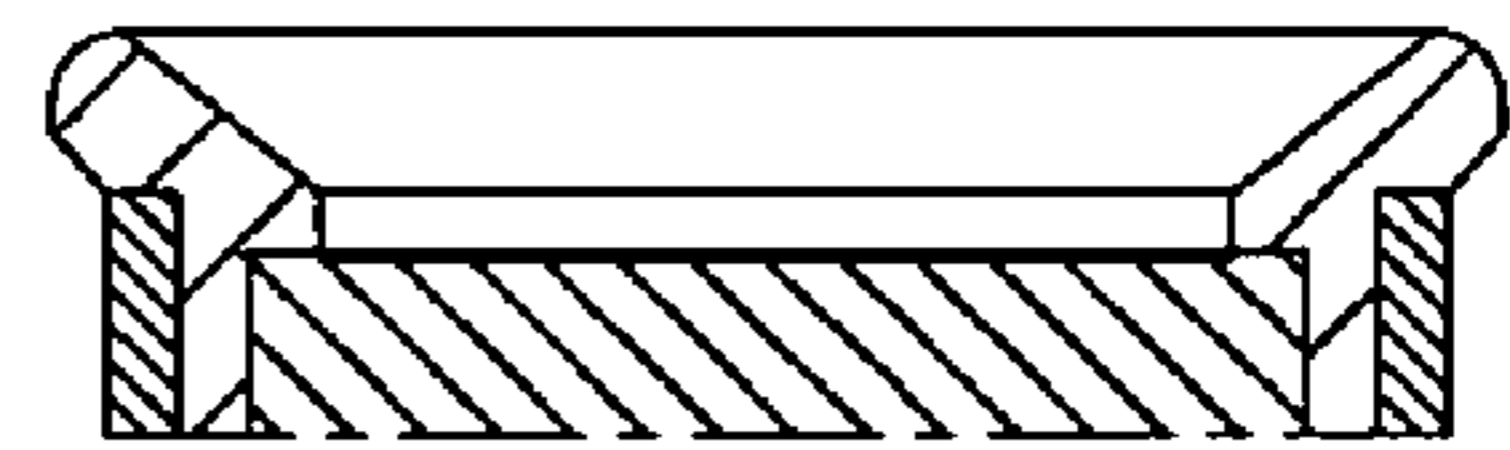


FIG.9



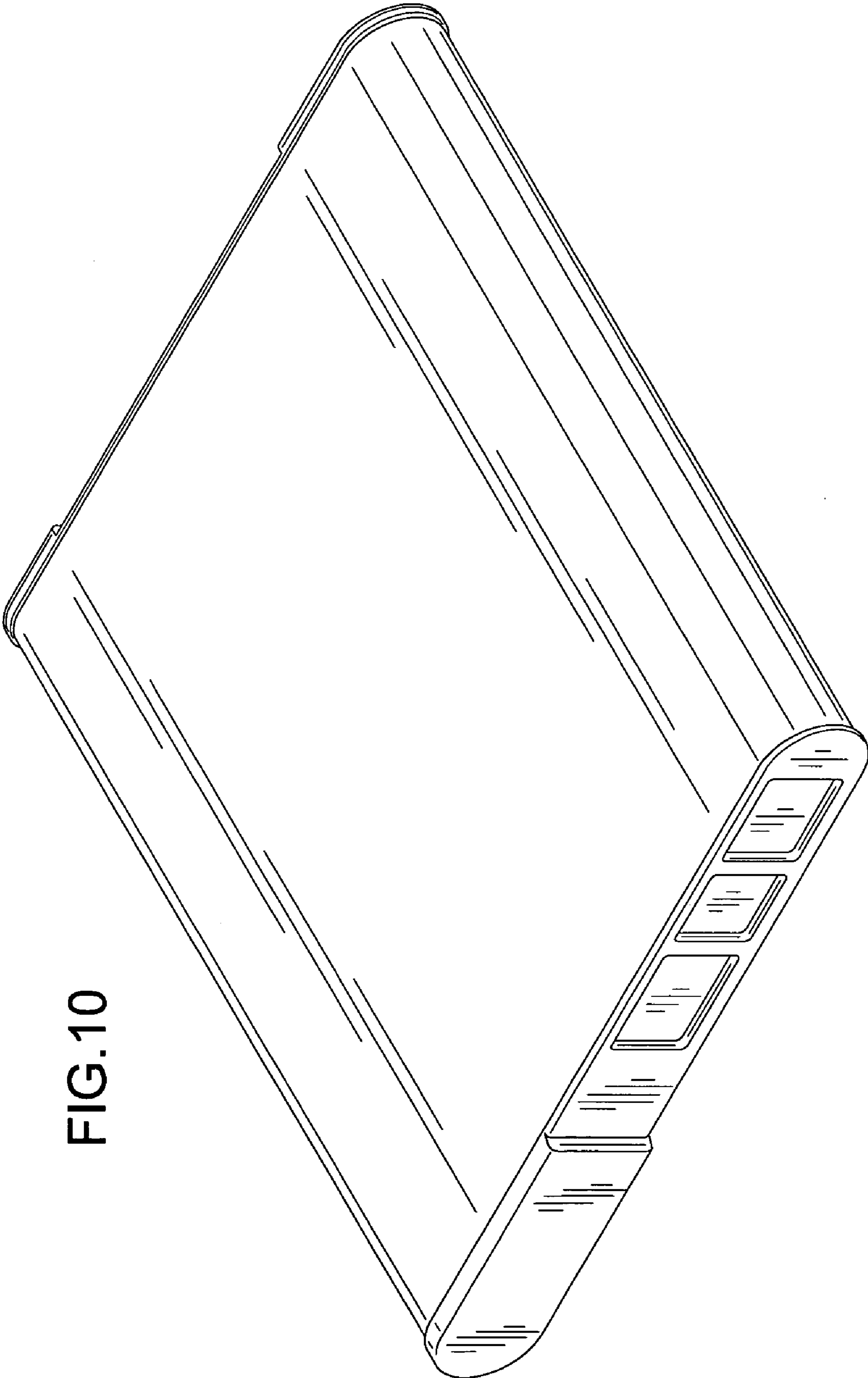


FIG.10

FIG.11

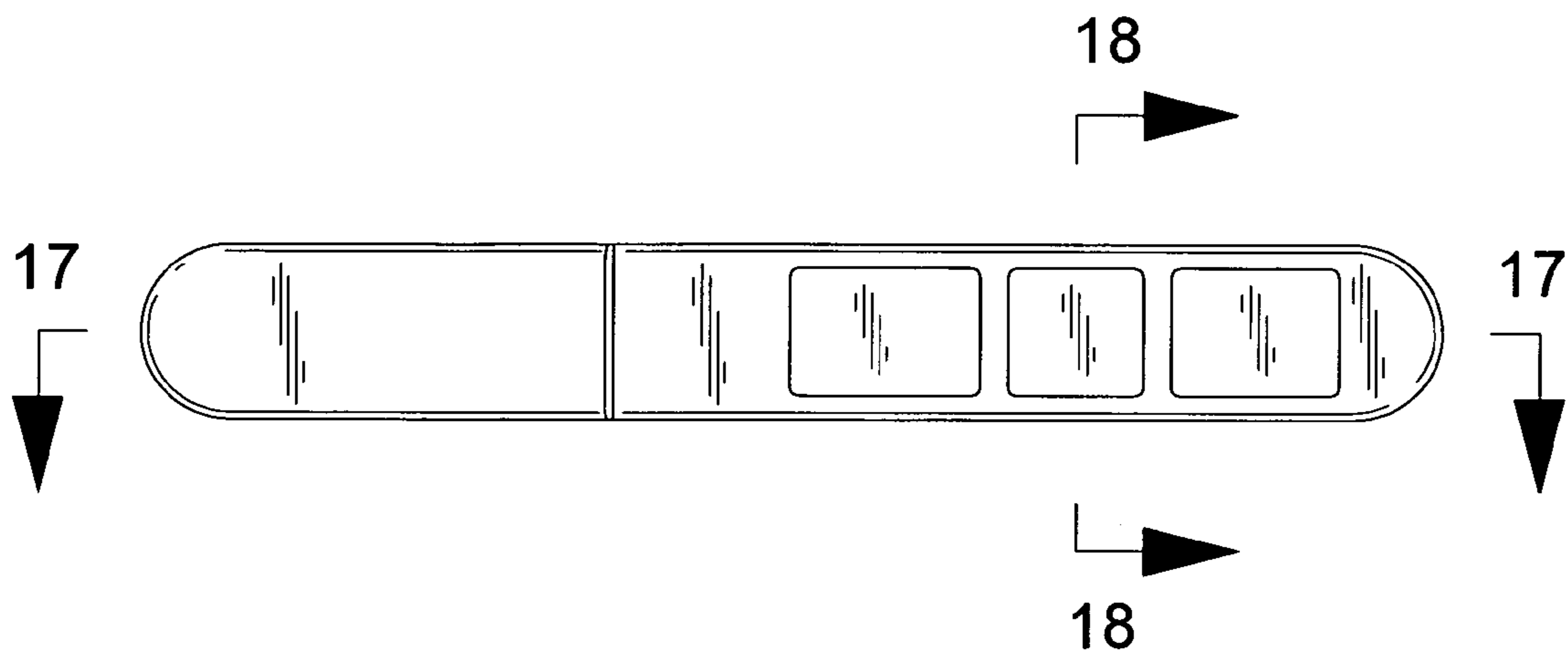


FIG.12

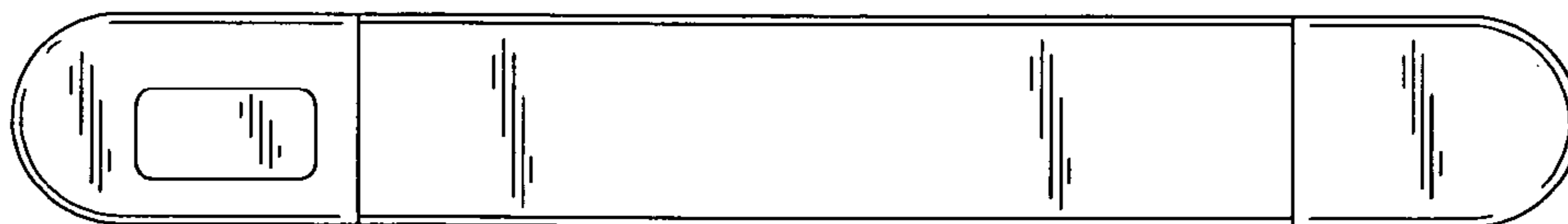


FIG.13

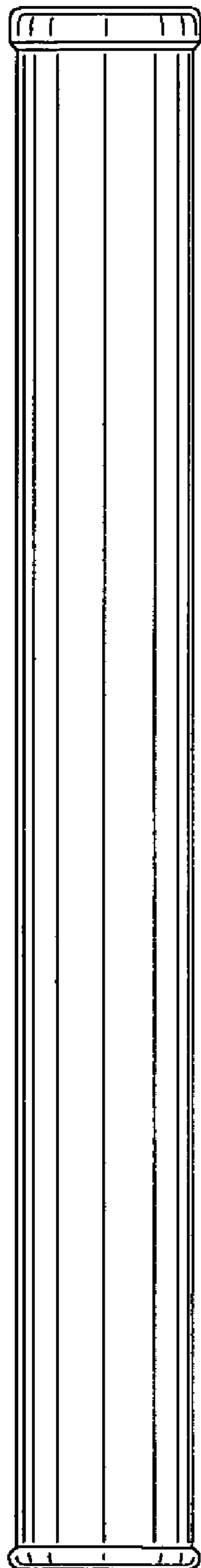


FIG.14

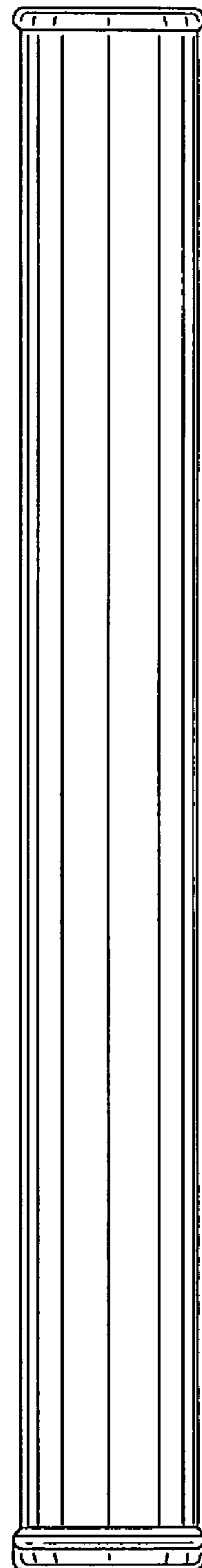


FIG.15

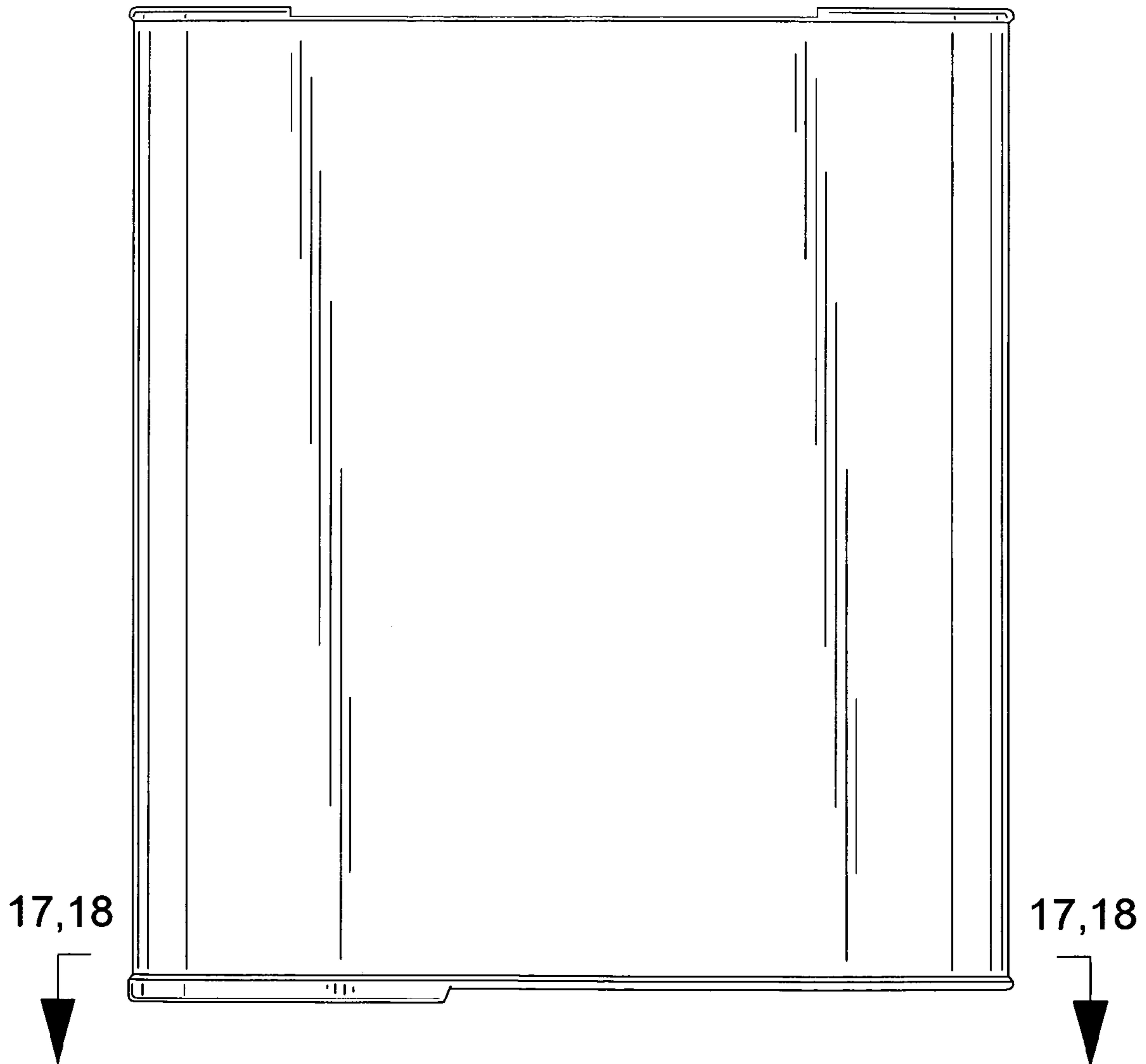


FIG.16

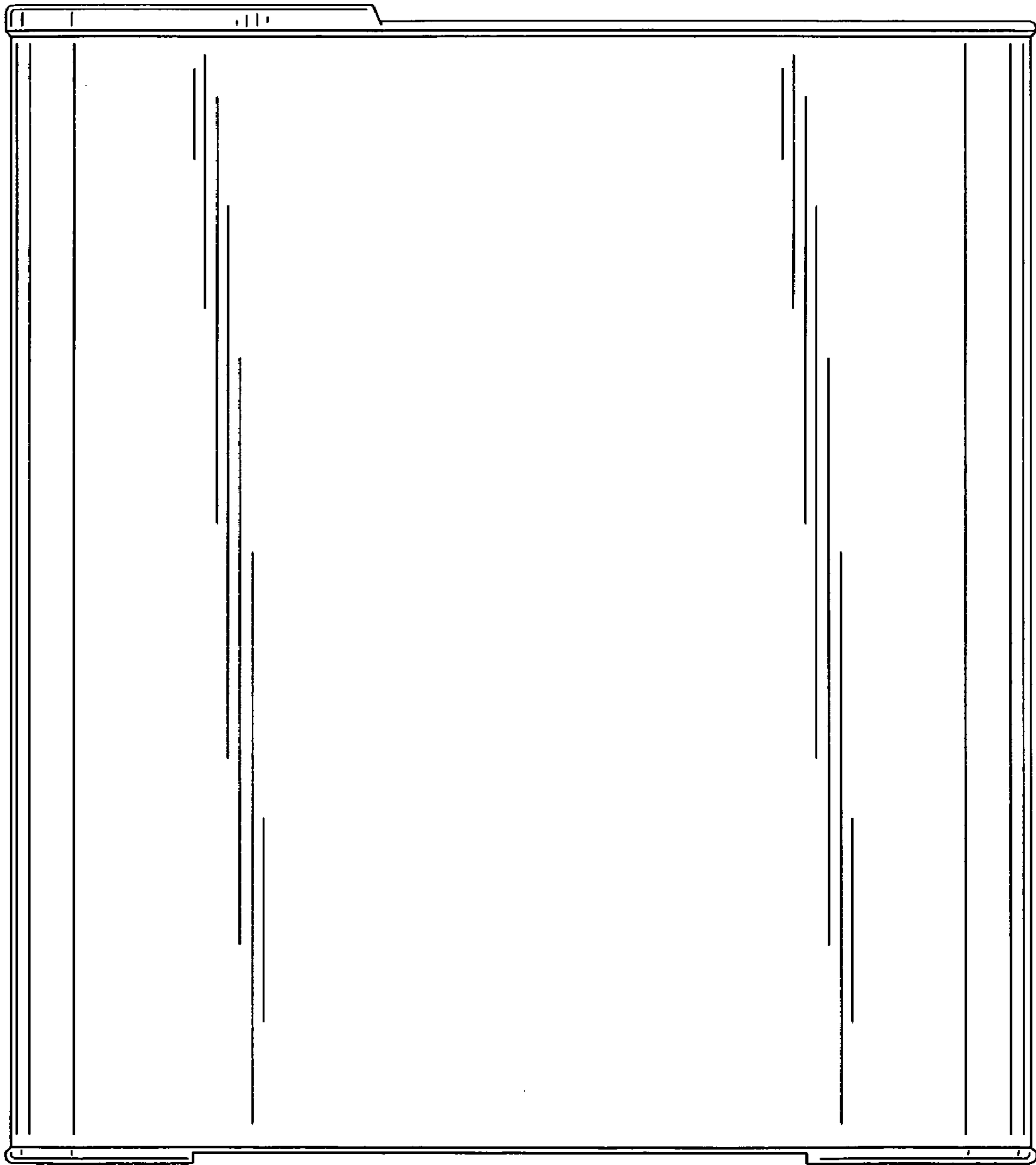


FIG.17

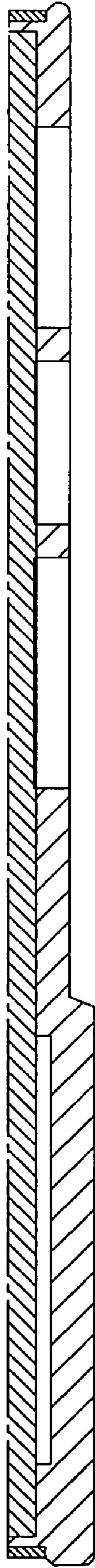
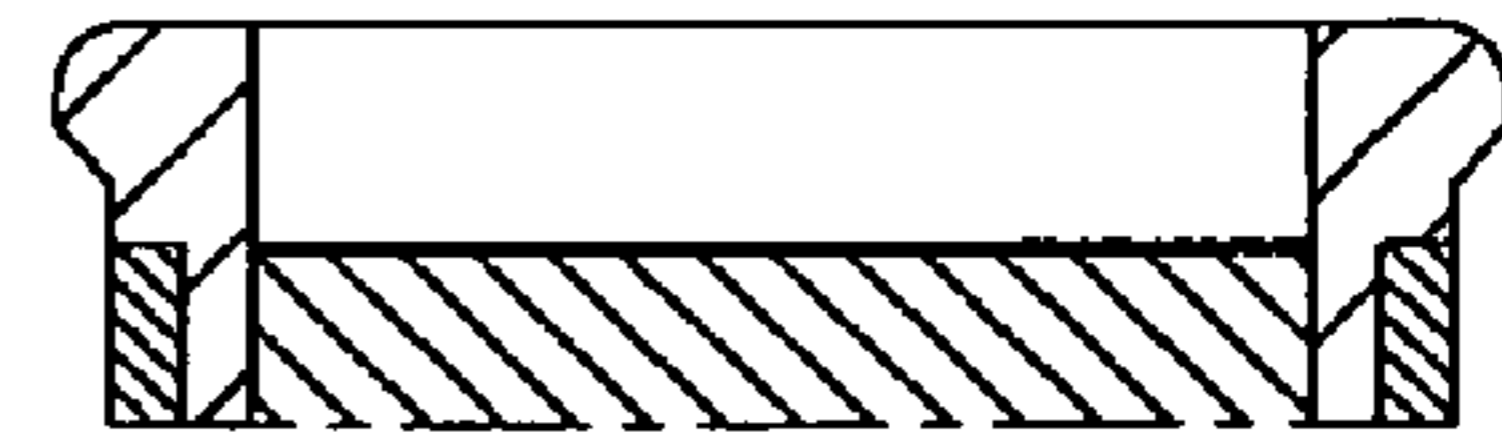


FIG.18



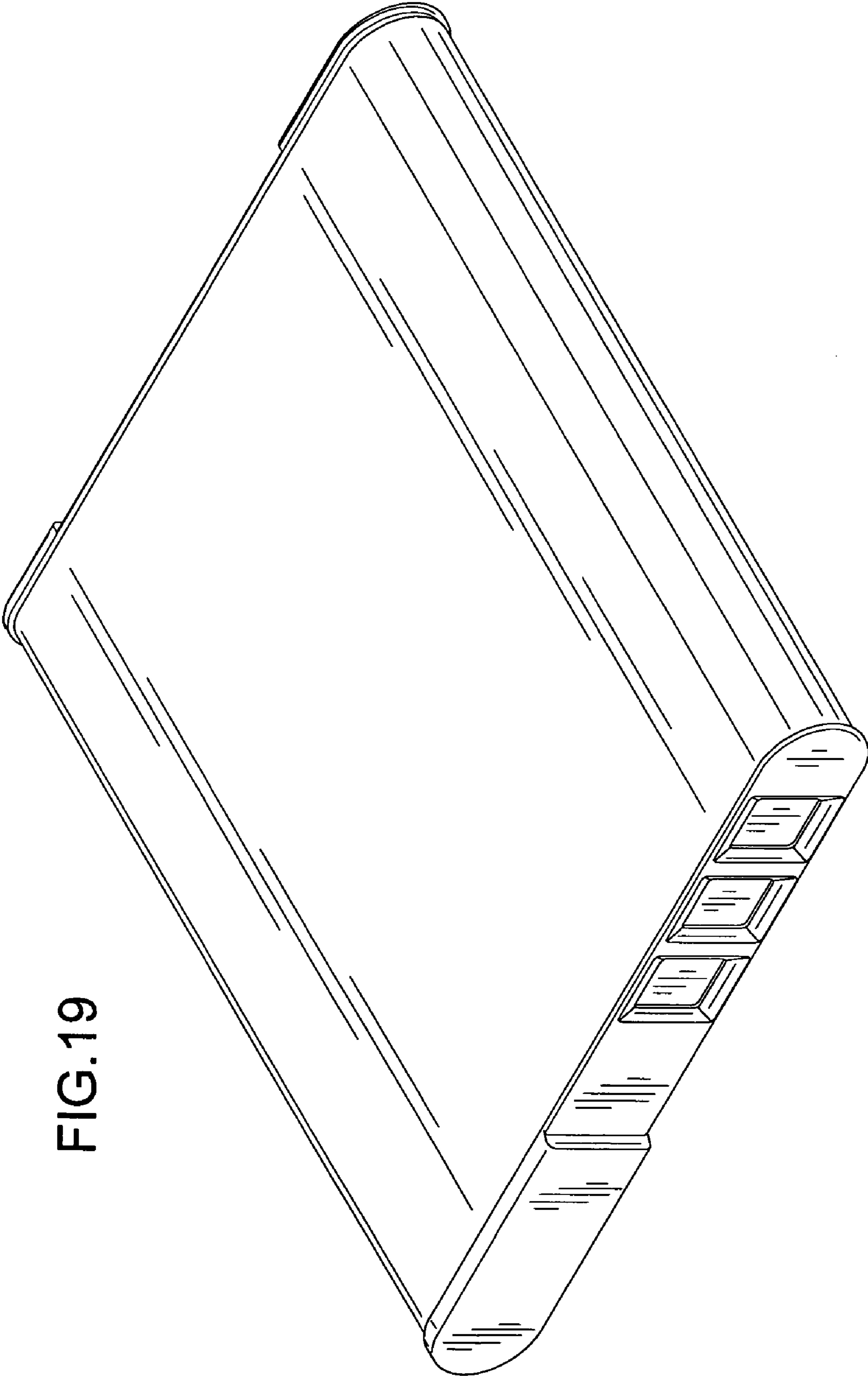


FIG.19

FIG.20

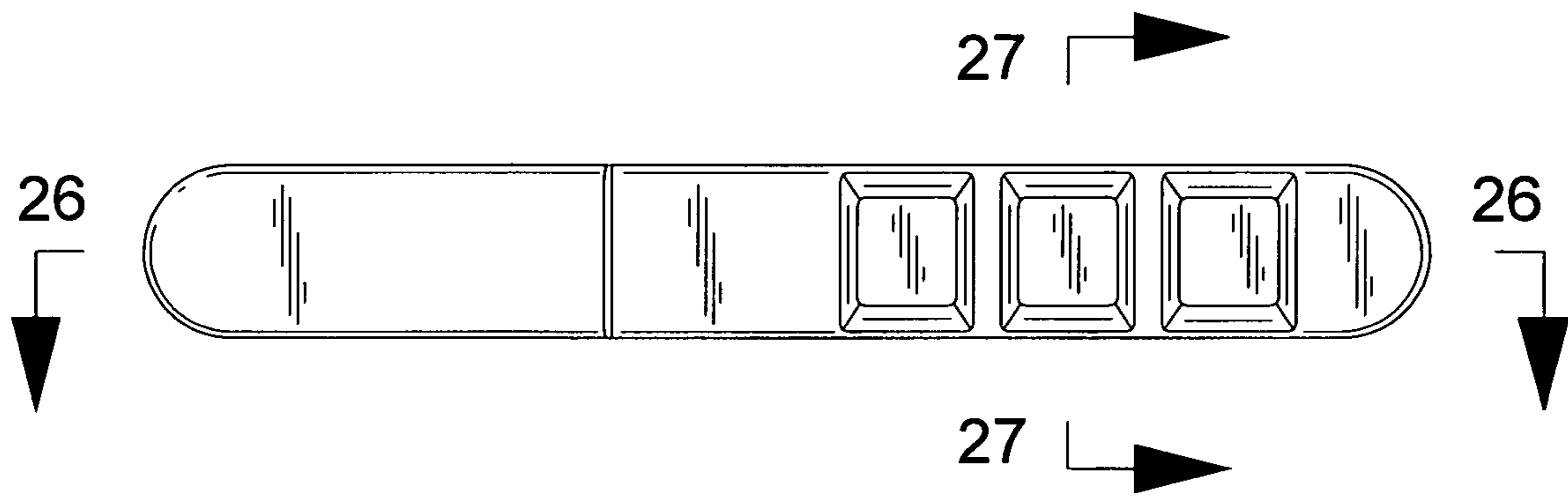


FIG.21

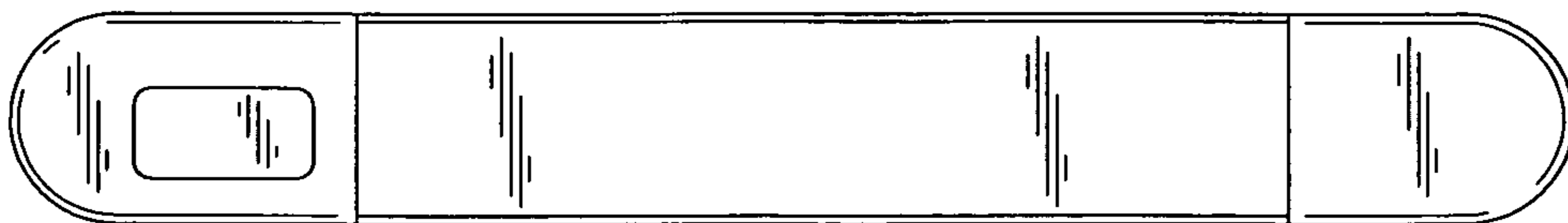


FIG. 22

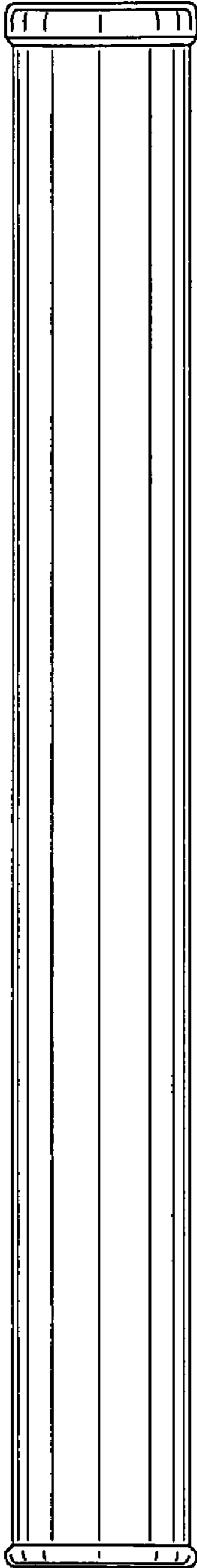


FIG. 23

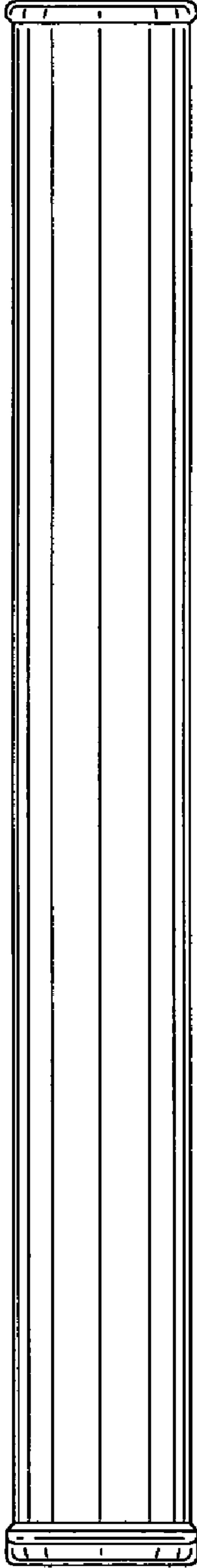


FIG.24

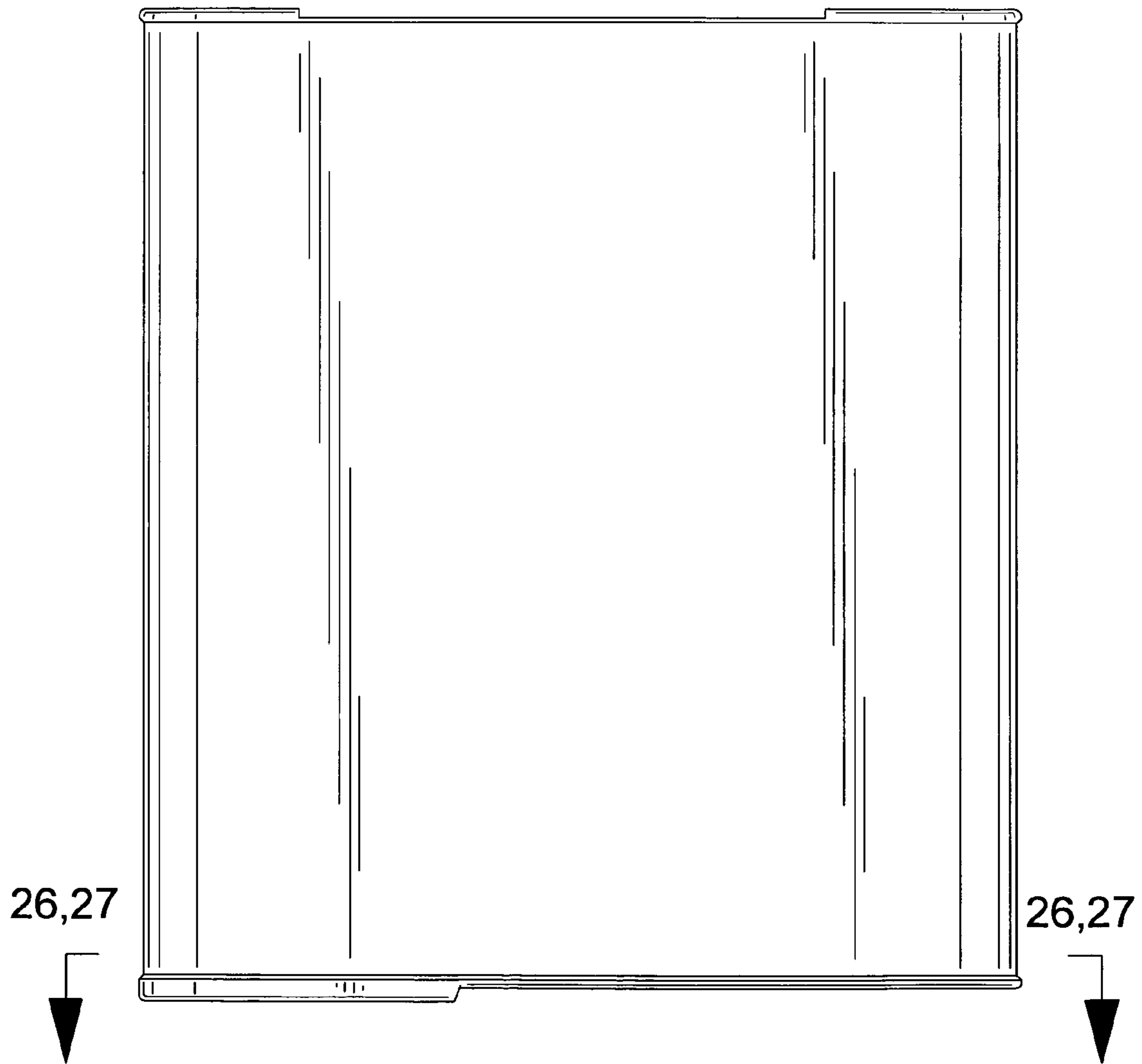


FIG.25

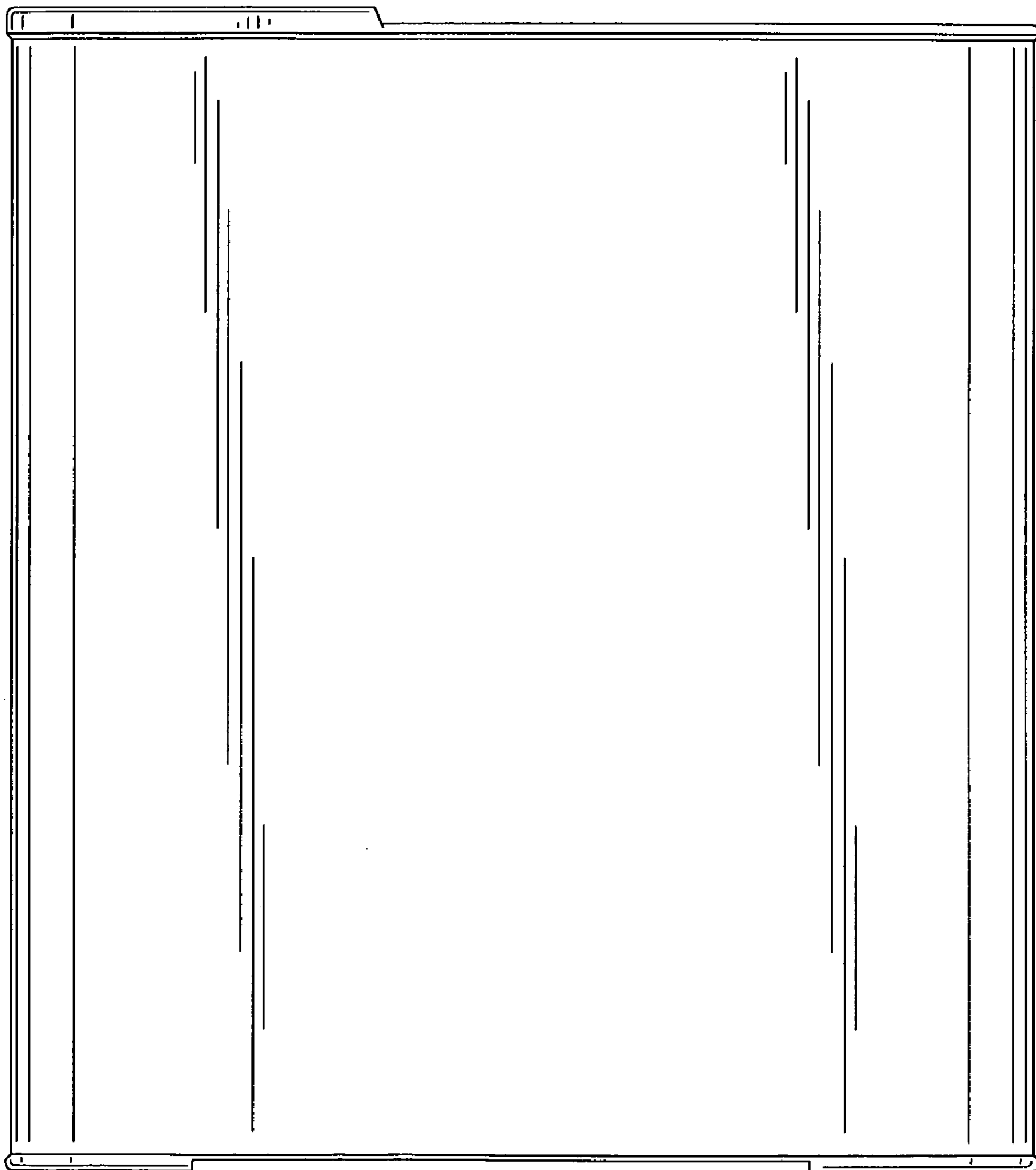


FIG.26

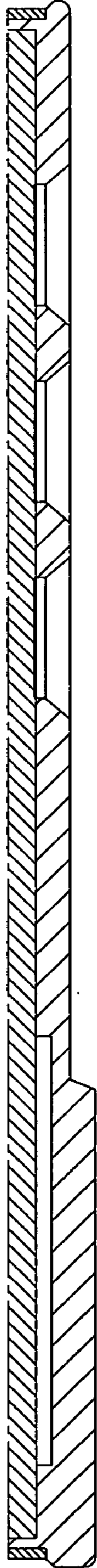


FIG.27

