



US00D646217S

(12) **United States Design Patent**
Muto

(10) **Patent No.:** **US D646,217 S**
(45) **Date of Patent:** **** Oct. 4, 2011**

(54) **TIRE TREAD**

(75) Inventor: **Shuhei Muto**, Tokyo (JP)

(73) Assignee: **Bridgestone Corporation**, Tokyo (JP)

(**) Term: **14 Years**

(21) Appl. No.: **29/343,061**

(22) Filed: **Sep. 4, 2009**

(30) **Foreign Application Priority Data**

Mar. 6, 2009 (JP) 2009-005052

(51) **LOC (9) Cl.** **12-15**

(52) **U.S. Cl.** **D12/589; D12/590; D12/901**

(58) **Field of Classification Search** D12/500,
D12/502, 503, 568, 571, 574, 577-579, 586-591,
D12/604, 900, 901; 152/209.1, 209.3, 209.18,
152/209.19, 209.22, 209.25, 209.27, 209.28
See application file for complete search history.

(56) **References Cited**

U.S. PATENT DOCUMENTS

D391,203 S *	2/1998	Gillard et al.	D12/596
D446,171 S *	8/2001	Habay	D12/602
D460,405 S *	7/2002	Schmidt	D12/583
D499,694 S *	12/2004	Osaki et al.	D12/594
D606,009 S *	12/2009	Nakano	D12/578
D609,168 S *	2/2010	Ohashi	D12/583
D610,528 S *	2/2010	Wada et al.	D12/598
D627,713 S *	11/2010	Le et al.	D12/600

FOREIGN PATENT DOCUMENTS

EM 000660147-0003 A1 3/2007

OTHER PUBLICATIONS

Hercules Polar Trax Tire; 2005 Tread Design Guide, p. 29, row 1, Item 4.*

Goodyear Precure G647 Retread; 2005 Tread Design Guide, p. 224, row 2, Item 4.*

* cited by examiner

Primary Examiner — Garth Rademaker

(74) *Attorney, Agent, or Firm* — Sughrue Mion, PLLC

(57) **CLAIM**

The ornamental design for a tire tread, shown and described.

DESCRIPTION

FIG. 1 is a perspective view of a tire tread, it being understood that the tread pattern repeats uniformly throughout the circumference of the tire.

FIG. 2 is a front elevation view thereof.

FIG. 3 is a left side elevation view thereof; and,

FIG. 4 is an enlarged fragmentary front view thereof.

The broken lines shown in the drawings are for the purpose of showing environmental structure only and form no part of the claimed design. The dashed-dotted-lines in the drawings are used to show the boundary between claimed and unclaimed subject matter.

1 Claim, 4 Drawing Sheets

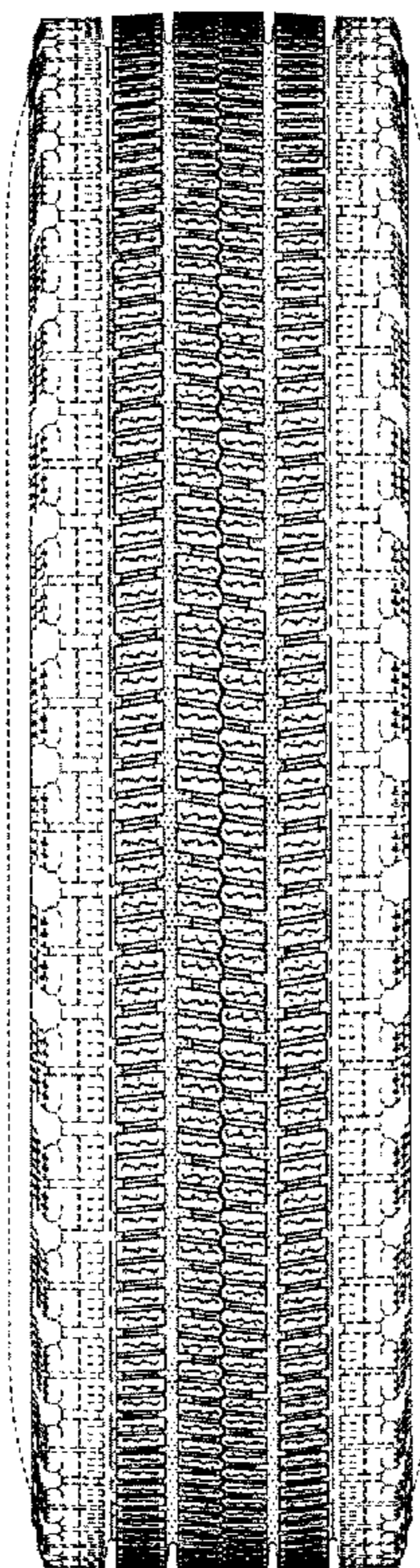


FIG. 1

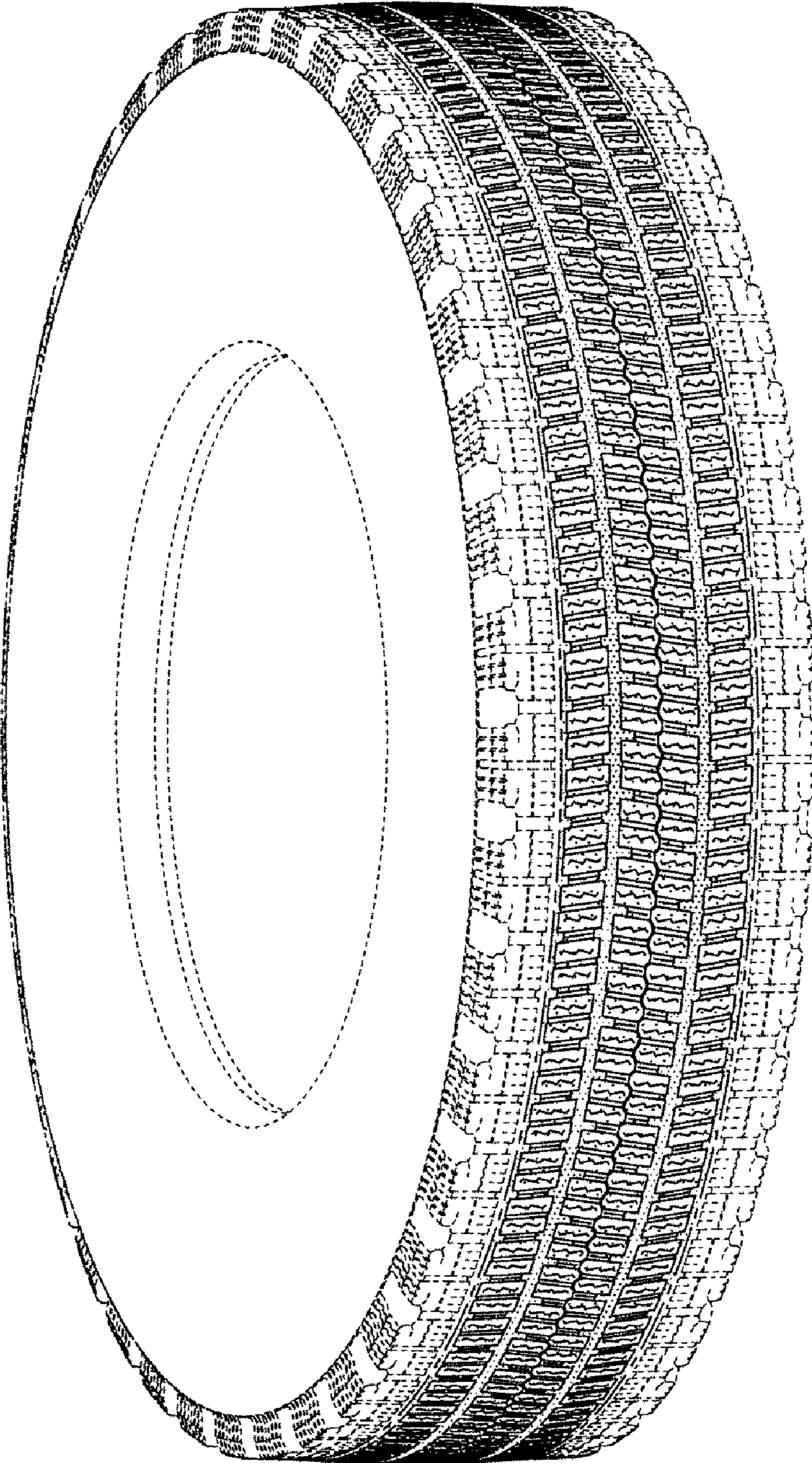


FIG. 2

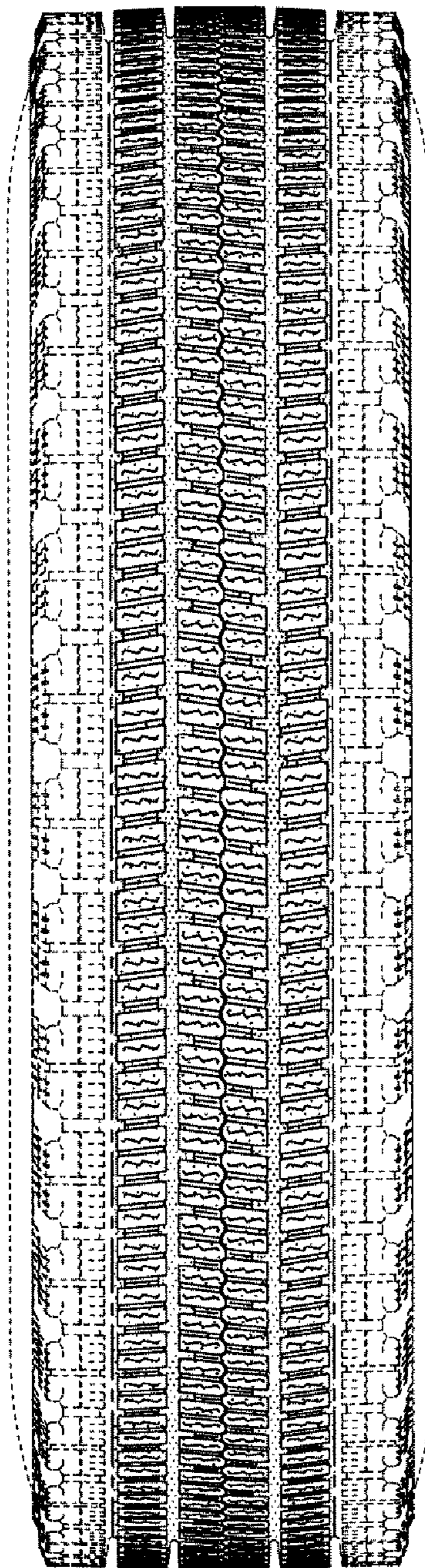


FIG. 3

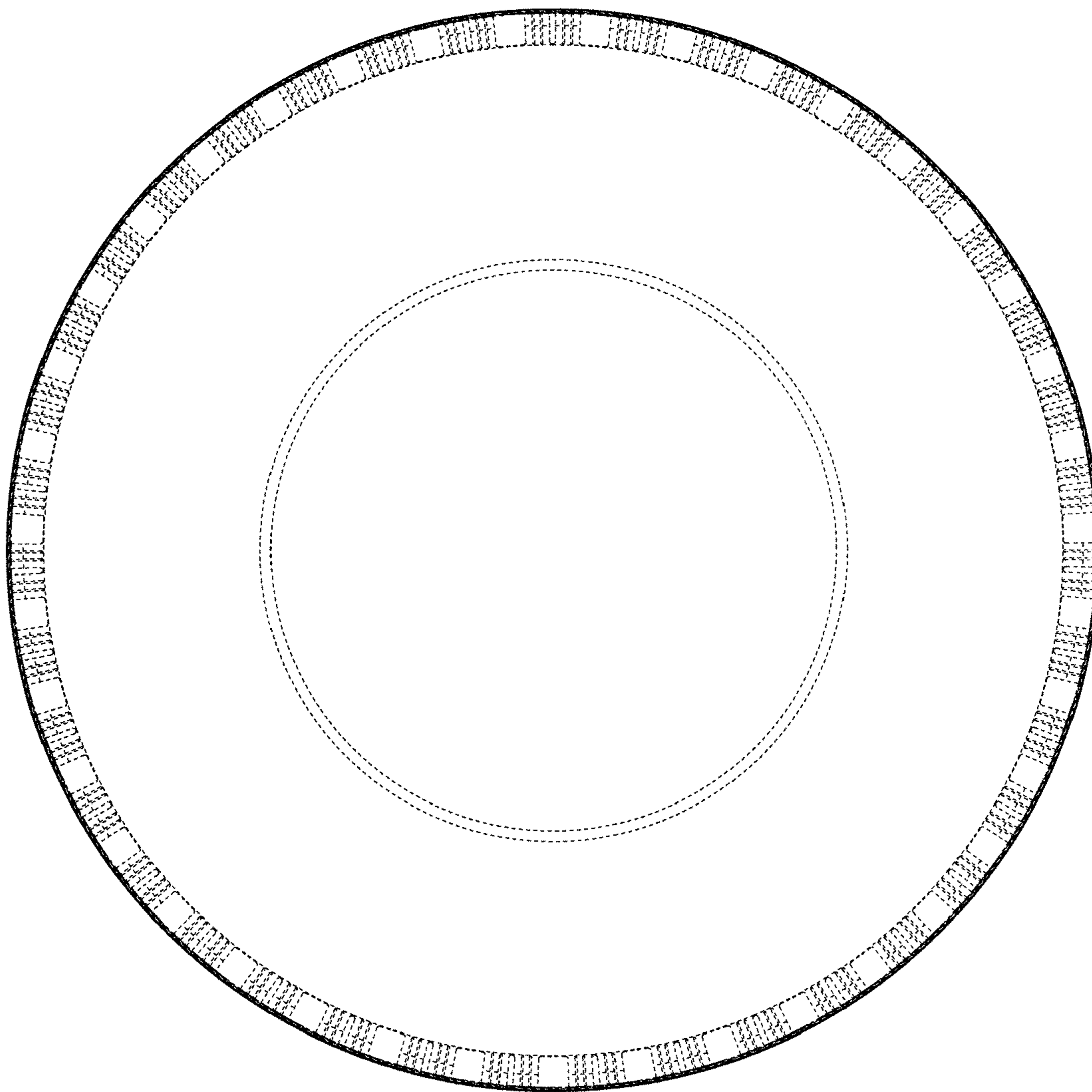


FIG. 4

