



US00D646216S

(12) **United States Design Patent**
Endou et al.

(10) **Patent No.:** **US D646,216 S**

(45) **Date of Patent:** **** *Oct. 4, 2011**

(54) **AUTOMOBILE TIRE TREAD**

(75) Inventors: **Kenichirou Endou**, Tokyo (JP);
Noriyoshi Watanabe, Hiratsuka (JP)

(73) Assignee: **The Yokohama Rubber Co., Ltd.** (JP)

(**) Term: **14 Years**

(21) Appl. No.: **29/367,814**

(22) Filed: **Aug. 13, 2010**

(30) **Foreign Application Priority Data**

Feb. 19, 2010 (JP) 2010-003832

(51) **LOC (9) Cl.** **12-15**

(52) **U.S. Cl.** **D12/585**

(58) **Field of Classification Search** D12/568,
D12/581-603, 900-901, 546-550;
152/209.1-209.28, 455

See application file for complete search history.

(56) **References Cited**

U.S. PATENT DOCUMENTS

D379,338 S	5/1997	Guspodin et al.	
D400,134 S *	10/1998	Sato et al.	D12/585
D404,694 S *	1/1999	Himuro et al.	D12/585
D415,984 S	11/1999	Allison et al.	
D430,830 S *	9/2000	Guspodin et al.	D12/585
D470,102 S *	2/2003	Shirouzu	D12/585
D481,991 S *	11/2003	Graas et al.	D12/585
D491,133 S *	6/2004	Tahira	D12/585
D506,179 S	6/2005	Iga et al.	
D547,717 S *	7/2007	Yamane et al.	D12/585
D559,774 S	1/2008	Kurata	
D560,598 S *	1/2008	Heinen et al.	D12/584
D578,471 S *	10/2008	Guspodin et al.	D12/585
D581,350 S *	11/2008	Froger	D12/585
D584,221 S	1/2009	Himuro	
D595,642 S *	7/2009	Fontaine et al.	D12/582
D596,110 S *	7/2009	Smith	D12/585
D605,106 S	12/2009	Behr	

D613,236 S *	4/2010	Guspodin et al.	D12/582
D613,237 S *	4/2010	Mukai	D12/585
D613,678 S *	4/2010	Nakamura et al.	D12/585

FOREIGN PATENT DOCUMENTS

EP	69984-0001	12/2003
EP	86996-0005	1/2004
EP	149935-0004	6/2004
EP	149935-0005	6/2004
EP	149935-0006	6/2004
EP	149935-0007	6/2004
EP	149935-0008	6/2004
EP	149935-0009	6/2004
EP	149935-0010	6/2004
EP	149935-0011	6/2004
EP	149935-0012	6/2004
EP	149935-0013	6/2004

(Continued)

Primary Examiner — Stacia Cadmus

(74) *Attorney, Agent, or Firm* — SAIDMAN DesignLaw Group

(57) **CLAIM**

The ornamental design for an automobile tire tread, as shown and described.

DESCRIPTION

FIG. 1 is a front perspective view of an automobile tire tread showing our new design;

FIG. 2 is a front view thereof, the top and bottom views being identical thereto;

FIG. 3 is a rear view thereof;

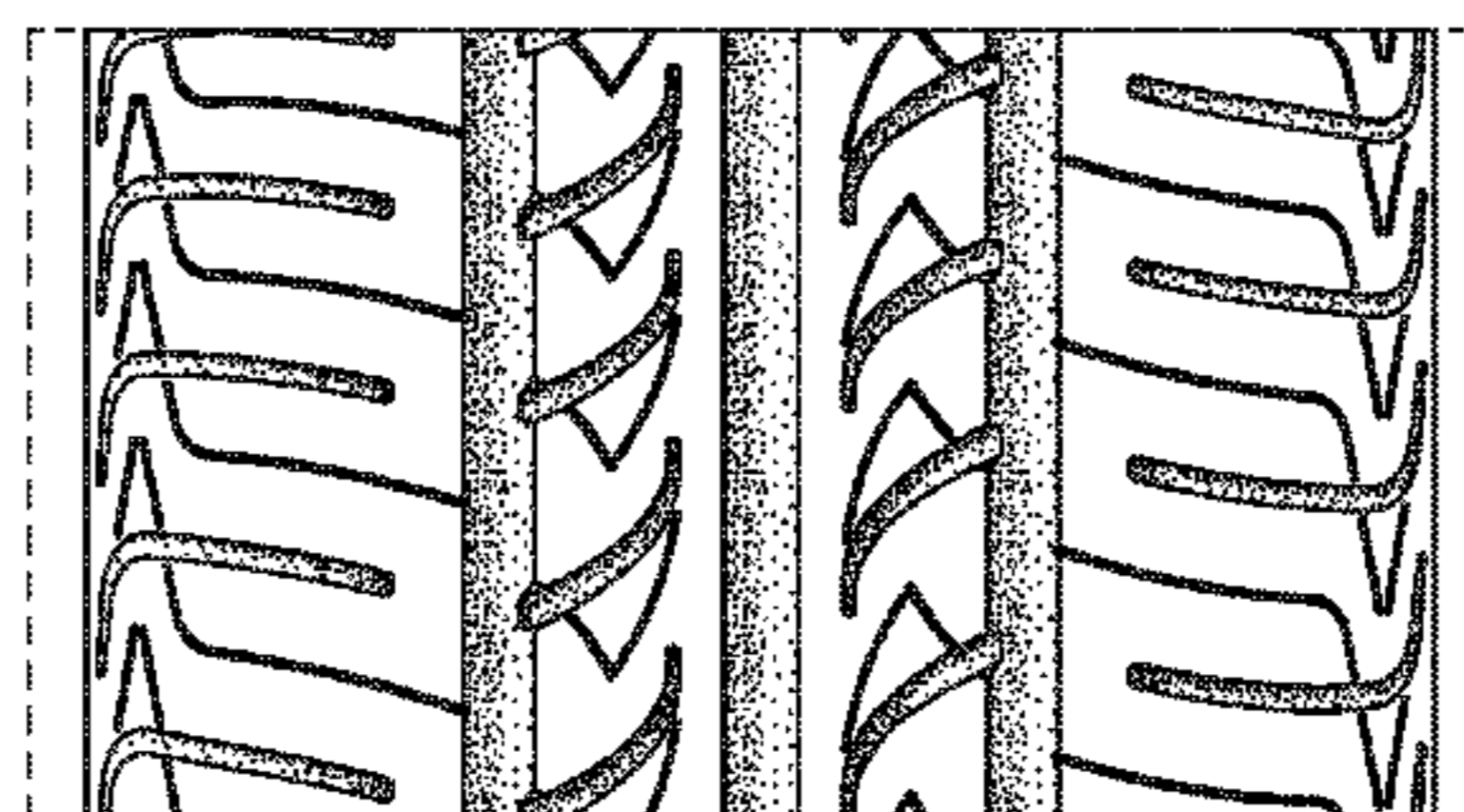
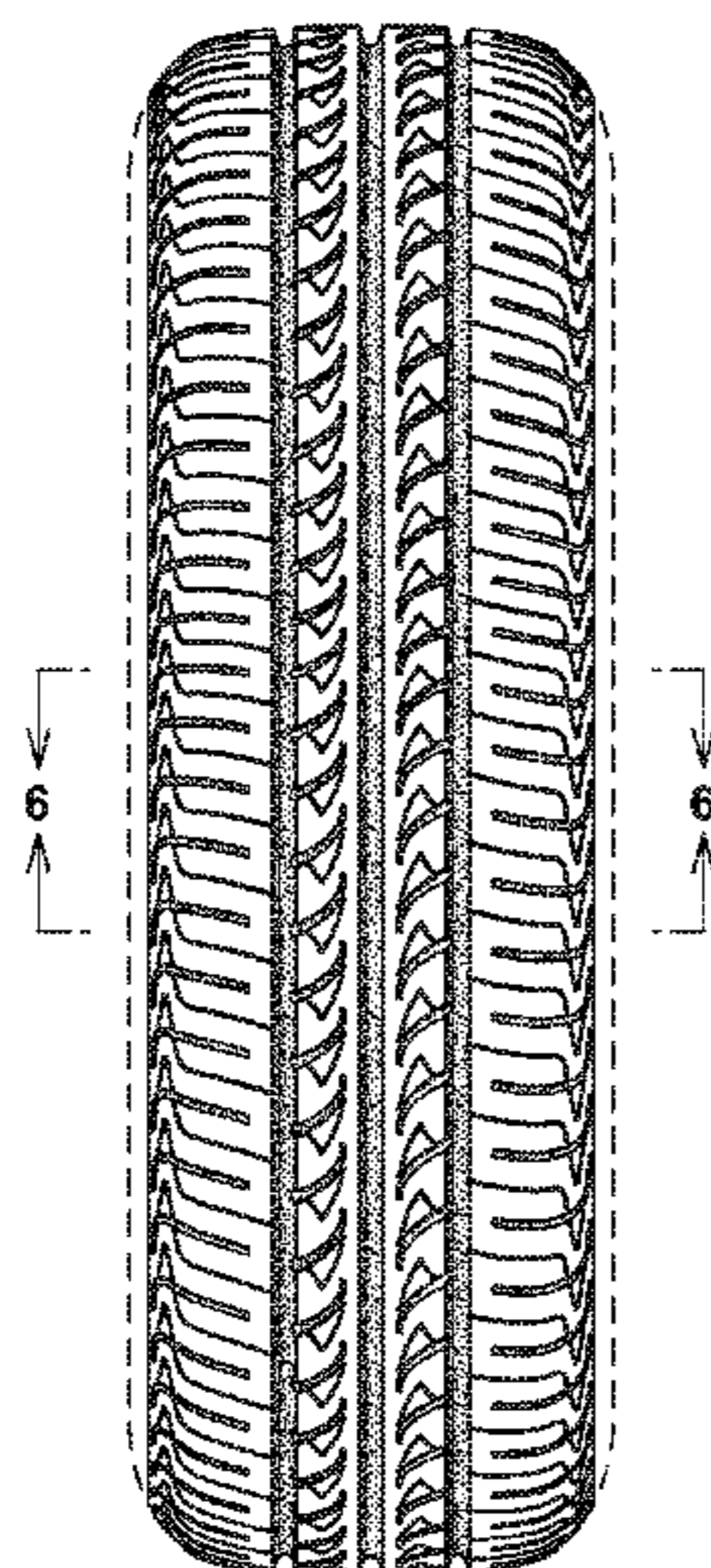
FIG. 4 is a left side view thereof, the right side view being identical thereto;

FIG. 5 is an enlarged, fragmentary front perspective view thereof, taken along lines 5—5 and in the direction of arrows in FIG. 1; and,

FIG. 6 is an enlarged, fragmentary front view thereof, taken along lines 6—6 and in the direction of arrows in FIG. 2.

The broken lines are for the purpose of illustrating portions of the automobile tire tread and form no part of the claimed design.

1 Claim, 4 Drawing Sheets



US D646,216 S

Page 2

FOREIGN PATENT DOCUMENTS					
			JP	D1003457	2/1998
EP	149935-0014	6/2004	JP	D1003457-1	2/1998
EP	149935-0015	6/2004	JP	D1003458	2/1998
EP	149935-0016	6/2004	JP	D1003457-2	5/1998
EP	149935-0017	6/2004	JP	D1024888	11/1998
EP	149935-0018	6/2004	JP	D1024888-1	3/1999
EP	215124-0003	10/2004	JP	D1056127	12/1999
EP	355433-0001	8/2005	JP	D1056127-1	3/2000
EP	910641-0001	3/2006	JP	D1171452	4/2003
EP	1108377-0001	5/2006	JP	D1219773	10/2004
EP	927538-0001	5/2008	JP	D1221169	10/2004
EP	941596-0001	6/2008	JP	D1274534	6/2006
EP	941596-0002	6/2008	JP	D1329923	5/2008
EP	941596-0003	6/2008	JP	D1355886	4/2009
EP	974076-0001	8/2008	JP	D1371258	10/2009
EP	974076-0002	8/2008	TW	D129331	6/2009
EP	1012579-0001	12/2008	TW	D129885	7/2009
EP	1026256-0008	1/2009	TW	D132262	12/2009
EP	1108377-0002	5/2009			

* cited by examiner

Fig. 1

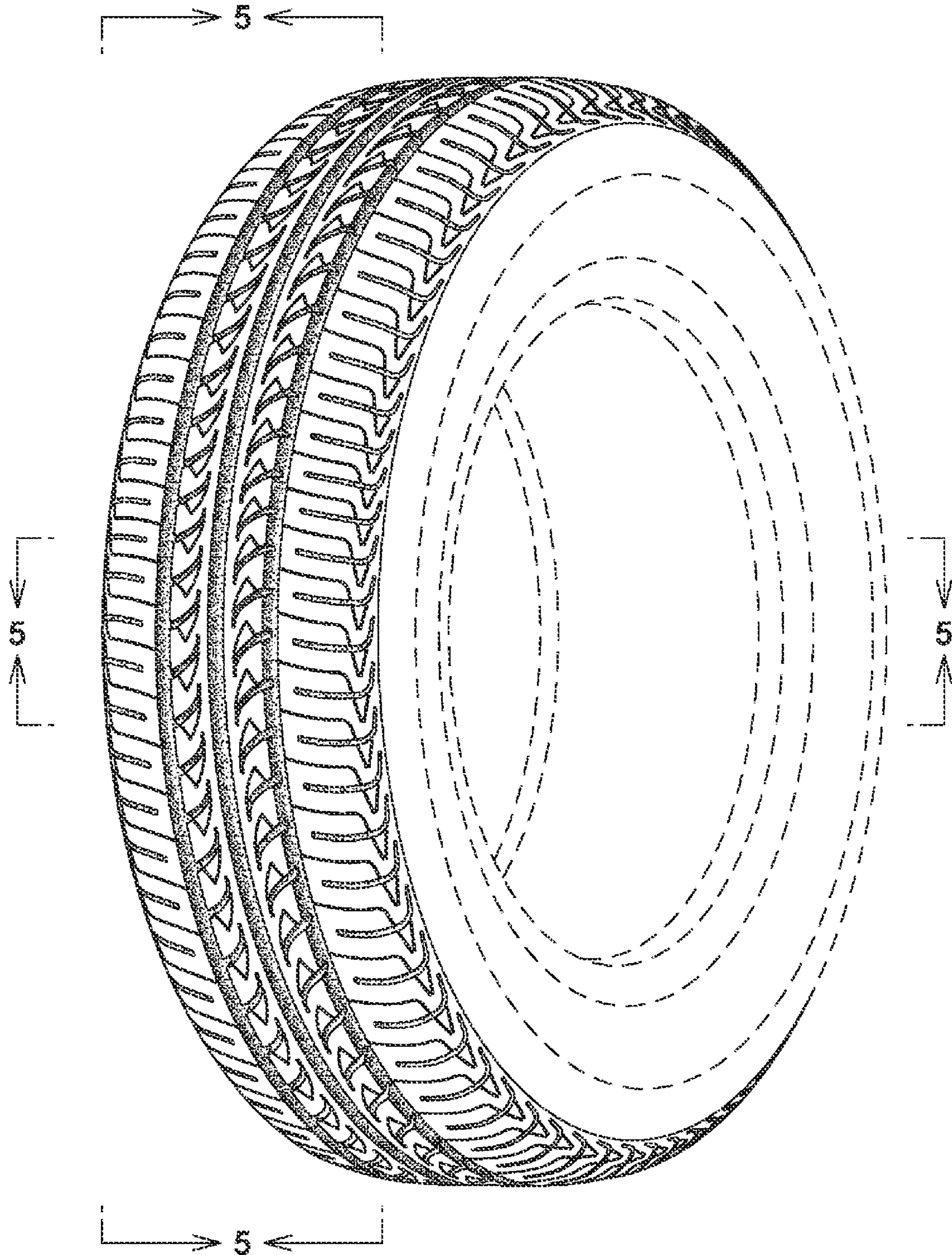


Fig. 2

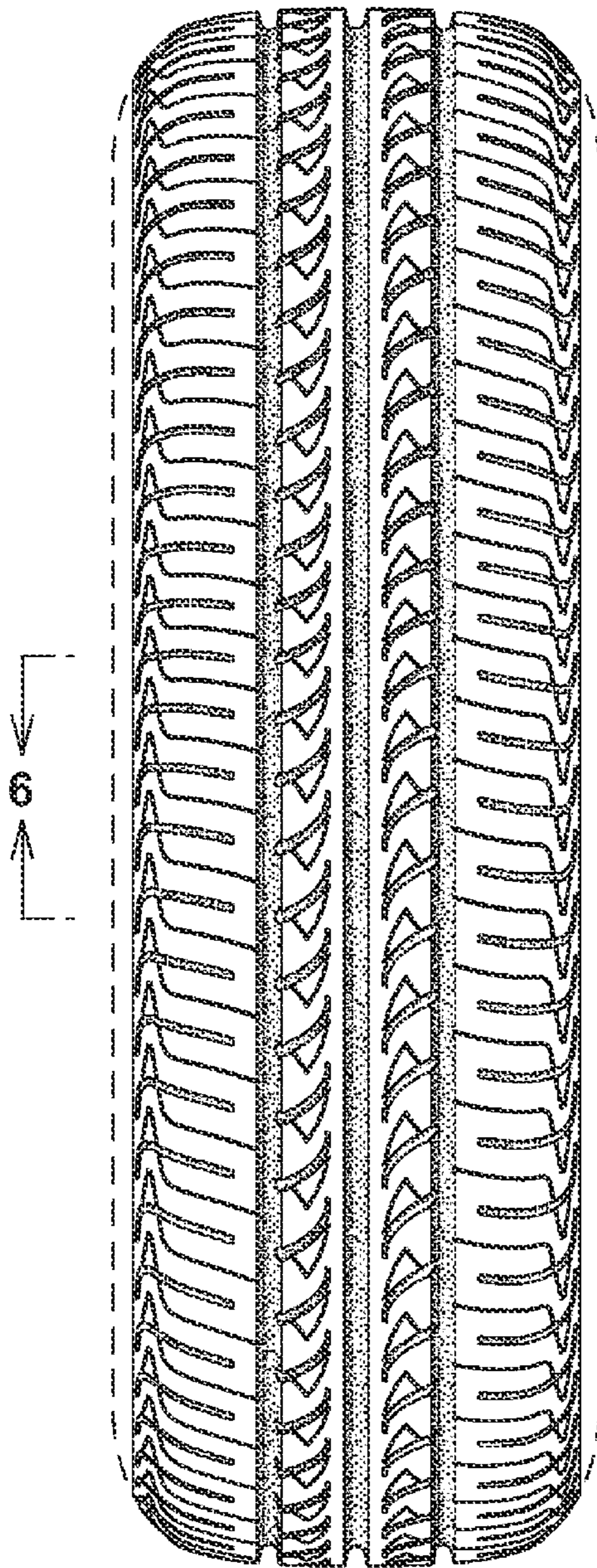


Fig. 3

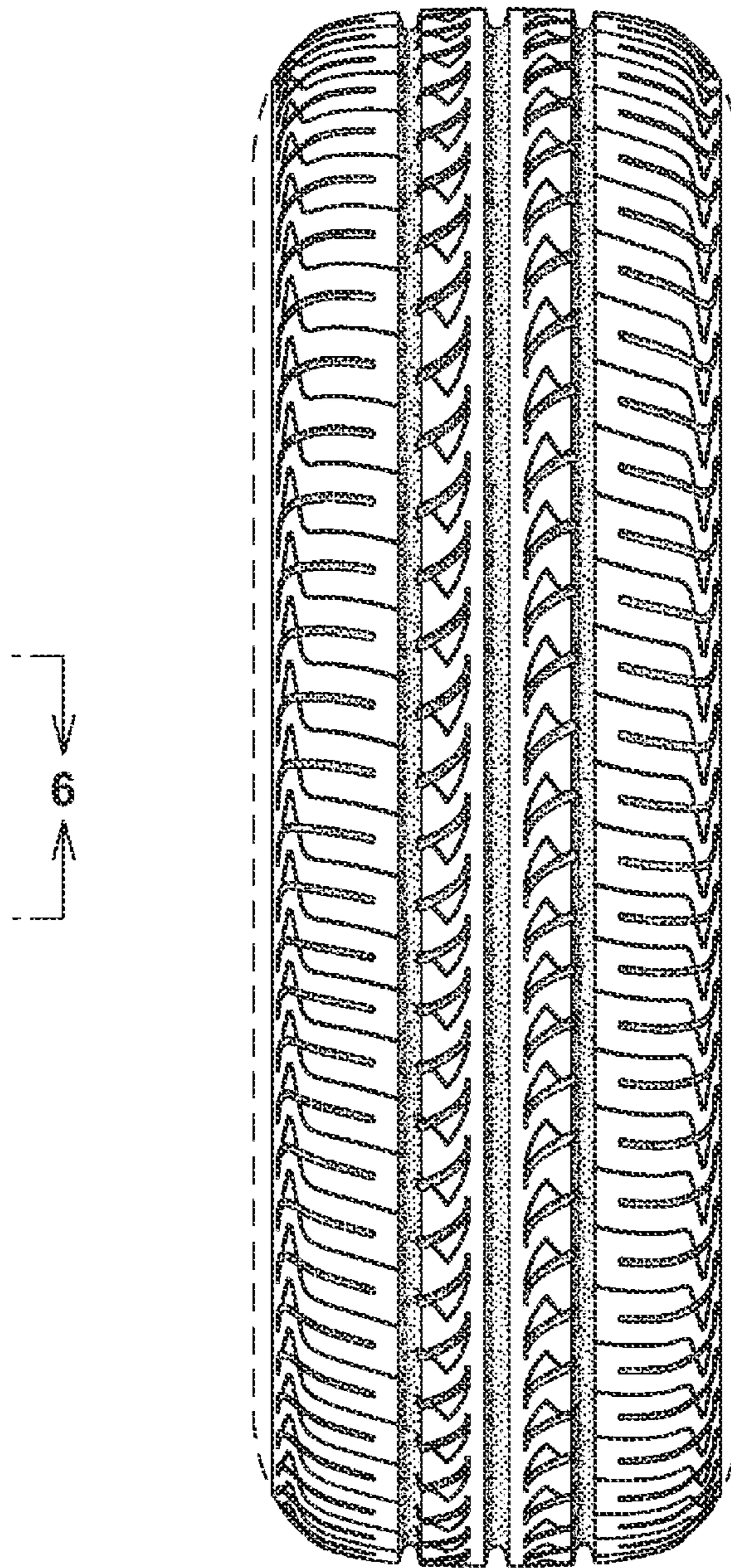


Fig. 4

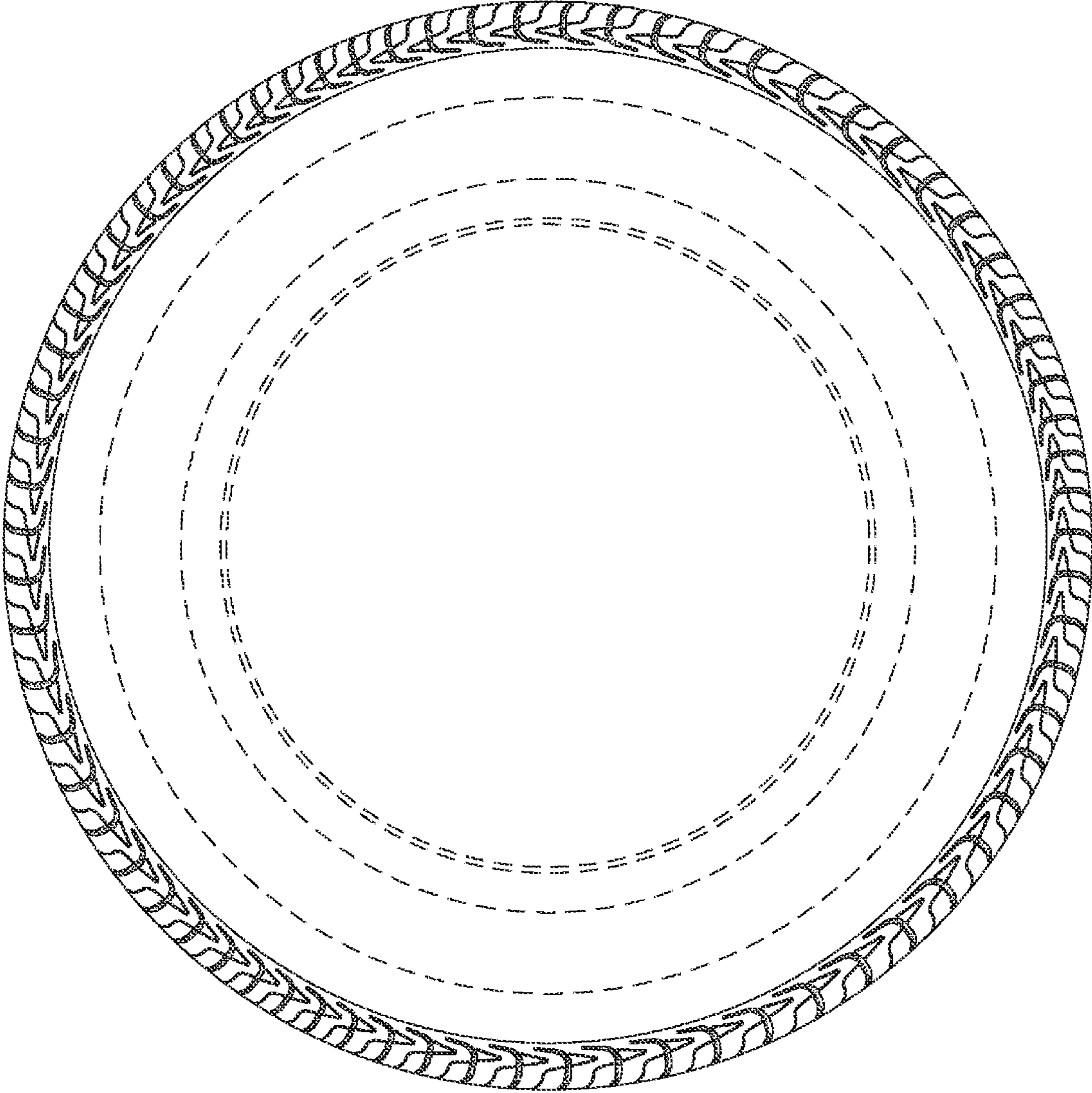


Fig. 5

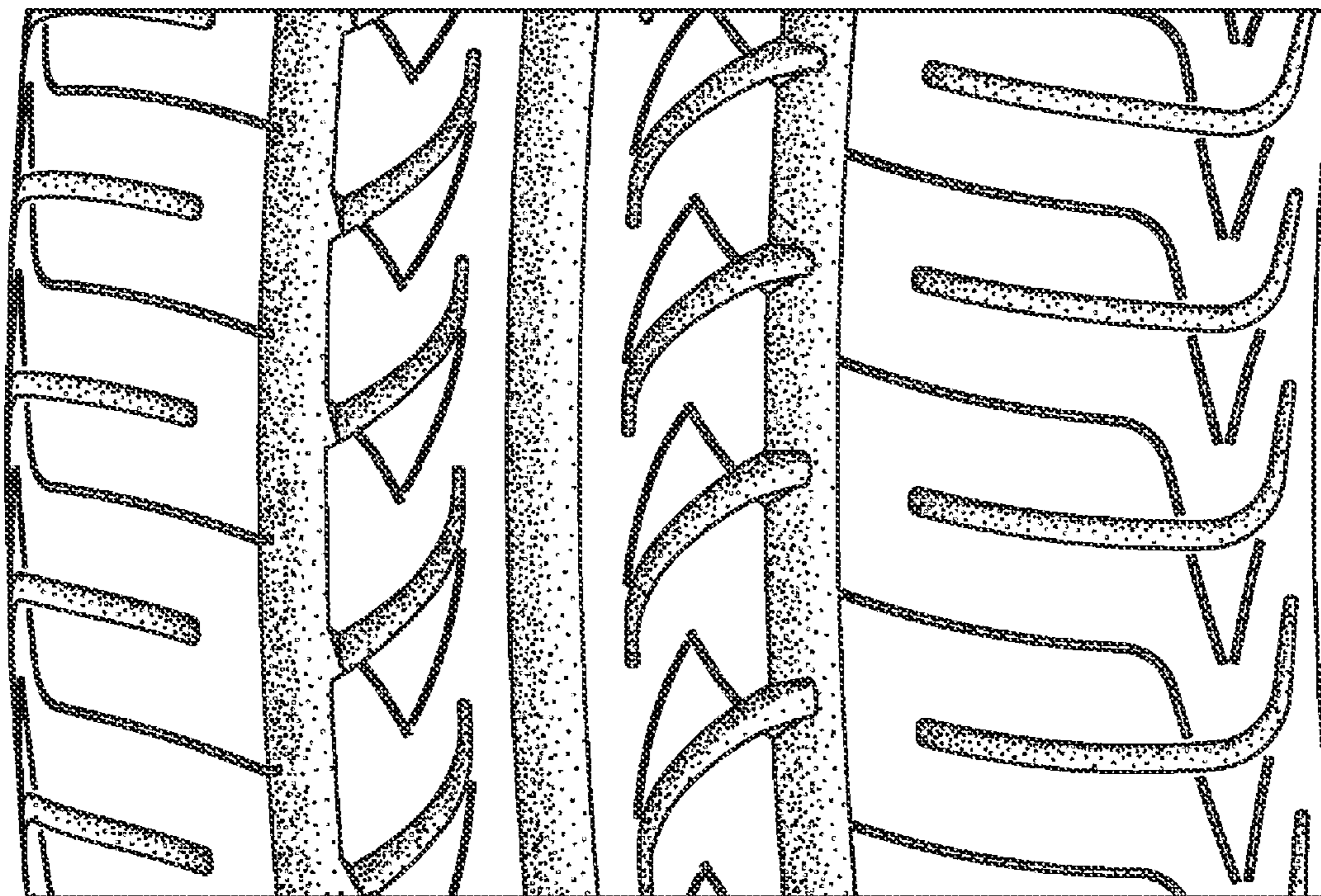


Fig. 6

