



US00D646213S

(12) **United States Design Patent**  
**Mulanon**

(10) **Patent No.:** **US D646,213 S**

(45) **Date of Patent:** **\*\* Oct. 4, 2011**

(54) **BRACKET DESIGN**

(75) Inventor: **Kasap Mulanon**, Bangkok (TH)

(73) Assignee: **Sammitr Green Power Co., Ltd.**,  
Bangkok (TH)

(\*\*) Term: **14 Years**

(21) Appl. No.: **29/373,264**

(22) Filed: **Mar. 23, 2011**

**Related U.S. Application Data**

(62) Division of application No. 29/349,220, filed on Mar. 16, 2010, now Pat. No. Des. 638,344.

(51) **LOC (9) Cl.** ..... **12-16**

(52) **U.S. Cl.** ..... **D12/406**

(58) **Field of Classification Search** ..... D12/413,  
D12/414, 406, 412, 414.1; 206/213, 8, 9,  
206/279, 290, 713, 335, 315.1-315.4; D32/35,  
D32/38; D6/317-319, 513-514, 552; 293/37.1,  
293/3, 100; 224/309-310, 315-316, 323-329,  
224/400; D3/304-306; 280/760-762, 848,  
280/727, 769; 296/99.1, 37.1, 100.01, 100.02,  
296/157

See application file for complete search history.

(56) **References Cited**

**U.S. PATENT DOCUMENTS**

3,944,179 A \* 3/1976 Piper ..... 248/231.71  
4,108,313 A \* 8/1978 Bogar, Jr. .... 211/64

4,450,989 A \* 5/1984 Bogar, Jr. .... 224/549  
D302,262 S \* 7/1989 Dickerman ..... D12/412  
D310,446 S \* 9/1990 Elkins ..... D12/406  
4,954,030 A \* 9/1990 Szucs et al. .... 410/96  
D356,541 S \* 3/1995 Morford ..... D12/406  
D401,213 S \* 11/1998 Inchaurregui ..... D12/406  
D585,516 S \* 1/2009 Smith ..... D22/108  
D598,971 S \* 8/2009 Peterson et al. .... D22/108  
7,900,802 B2 \* 3/2011 Hammond ..... 224/521

\* cited by examiner

*Primary Examiner* — Caron D Veynar

*Assistant Examiner* — Katrina A Kile

(74) *Attorney, Agent, or Firm* — Charles T.J. Weigell, Esq.;  
Fross Zelnick Lehrman & Zissu, P.C.

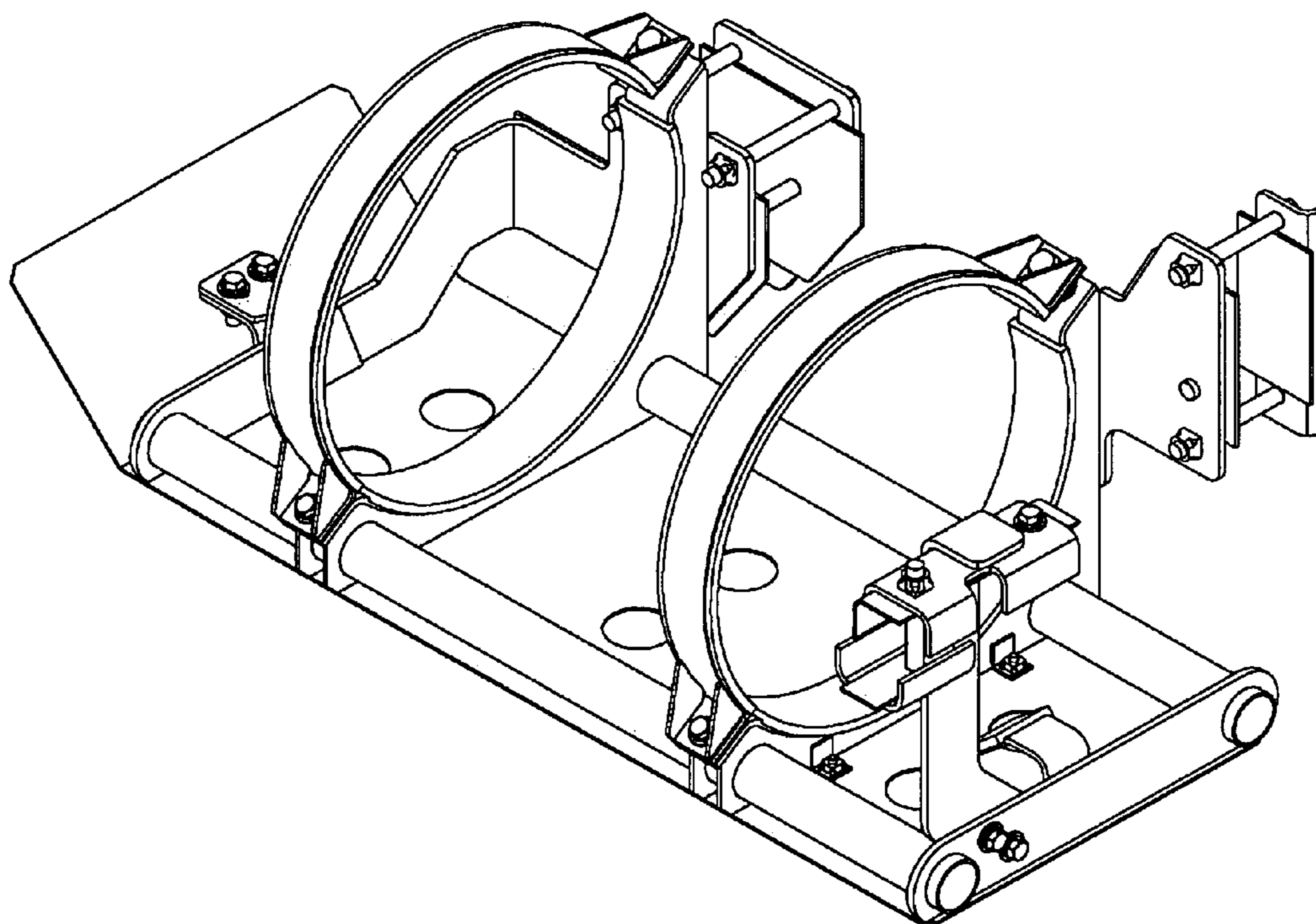
(57) **CLAIM**

The ornamental design for a bracket design, as shown and described.

**DESCRIPTION**

FIG. 1 is a front perspective view of a bracket design;  
FIG. 2 is a front view of the bracket shown in FIG. 1;  
FIG. 3 is a right side view of the bracket shown in FIG. 1;  
FIG. 4 is a rear view of the bracket shown in FIG. 1;  
FIG. 5 is a left side view of the bracket shown in FIG. 1;  
FIG. 6 is a top view of the bracket shown in FIG. 1;  
FIG. 7 is a bottom view of the bracket shown in FIG. 1; and,  
FIG. 8 is a rear perspective view of the bracket shown in FIG. 1.

**1 Claim, 8 Drawing Sheets**



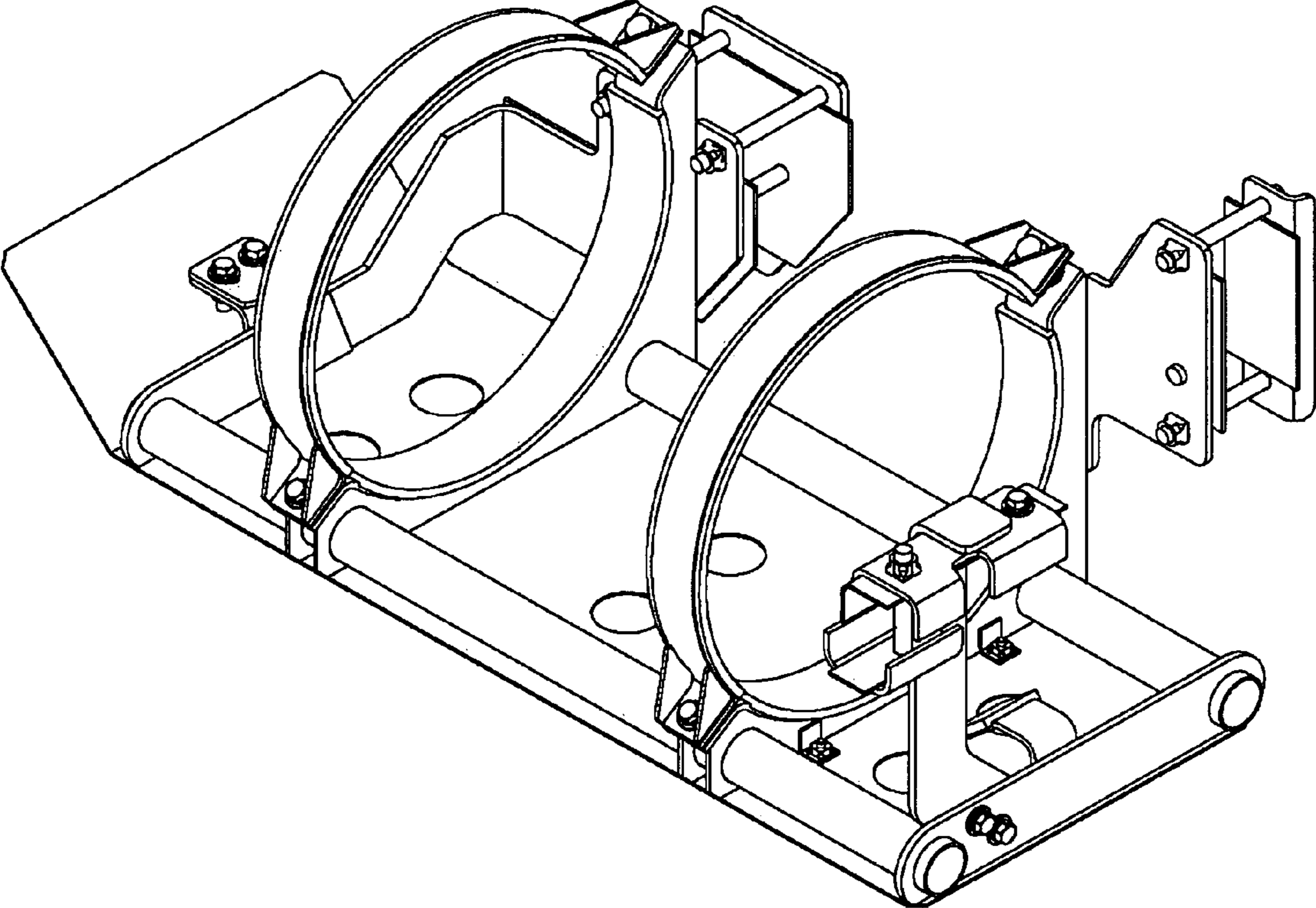


FIG. 1

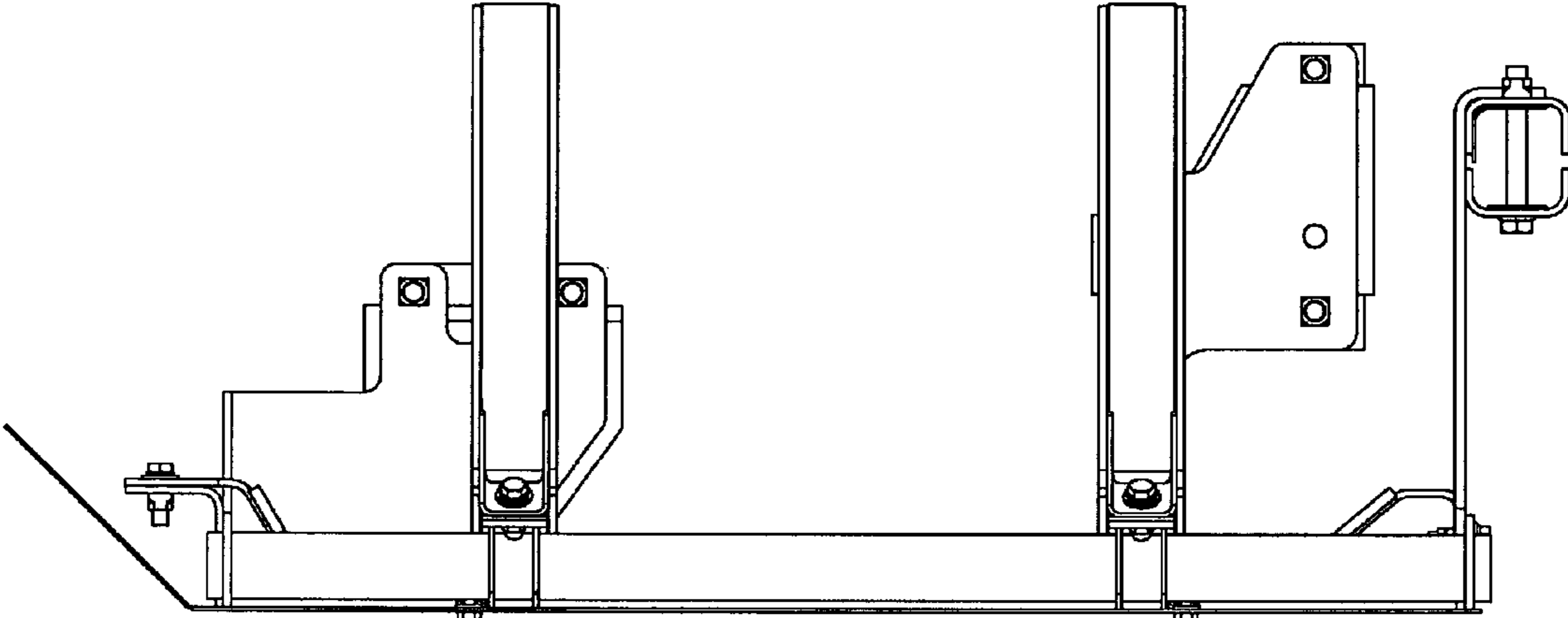


FIG. 2

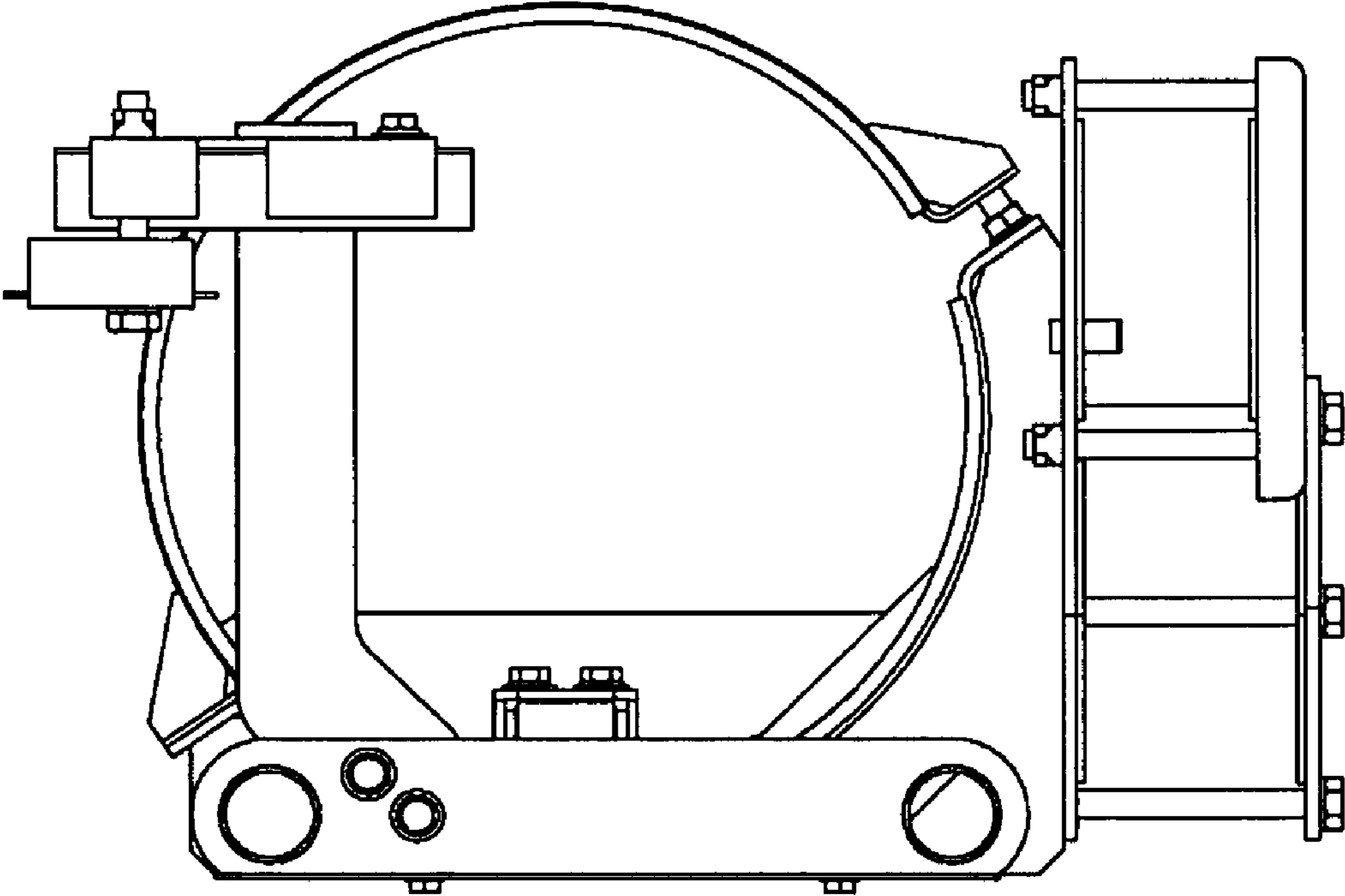


FIG. 3

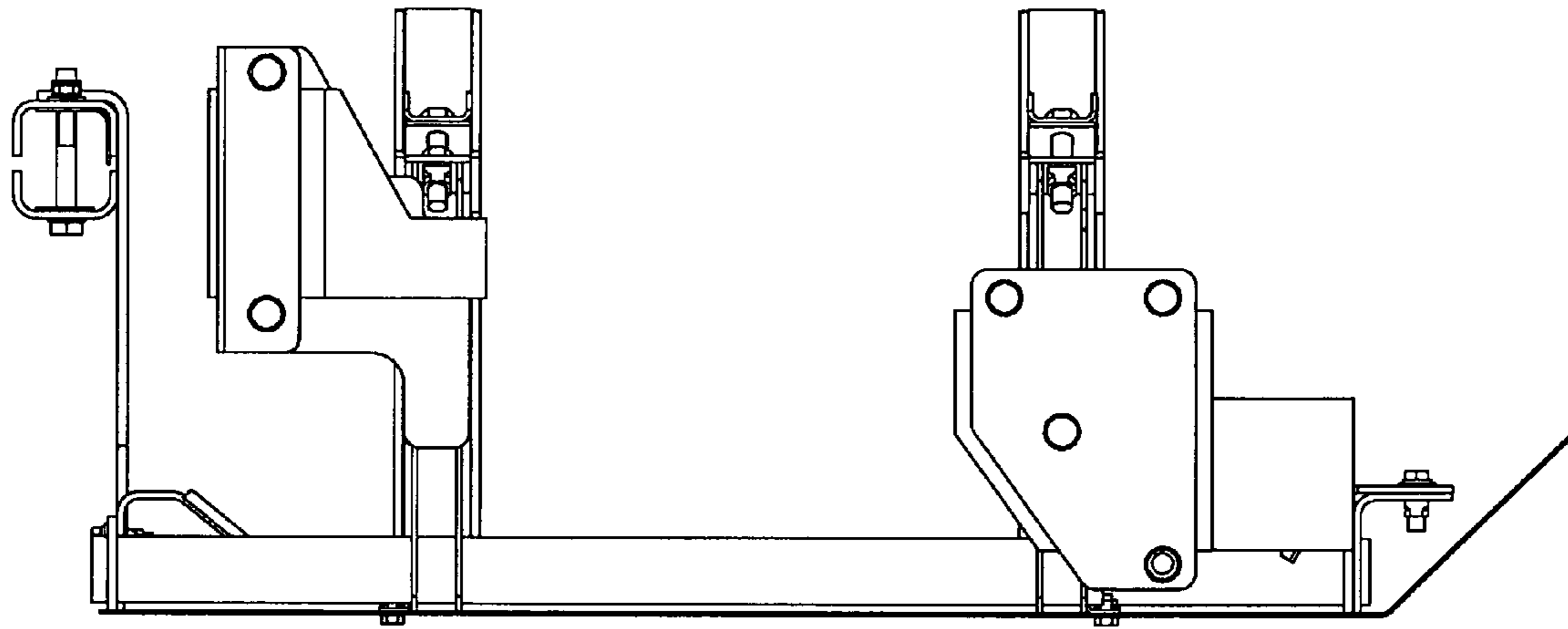


FIG. 4

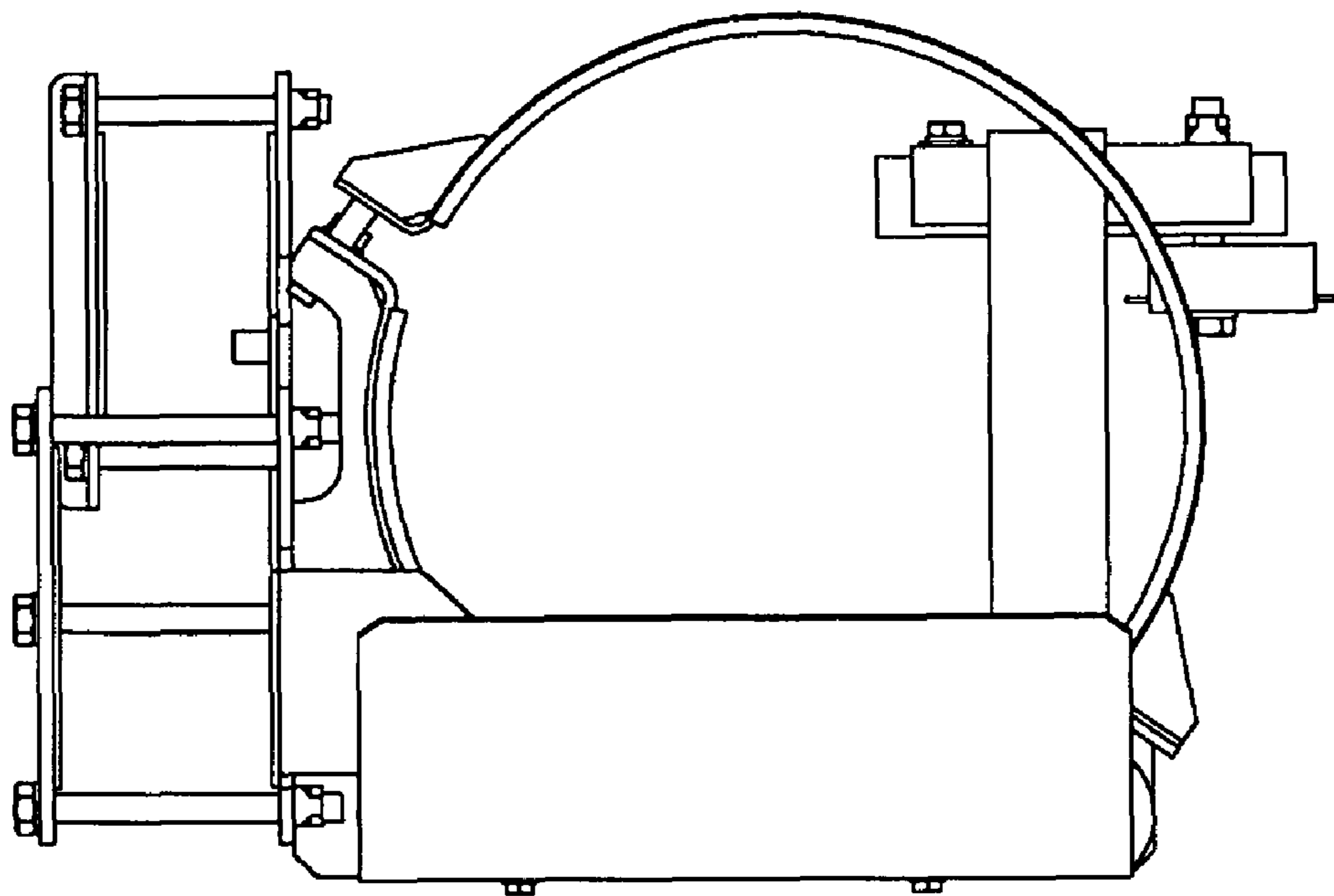


FIG. 5

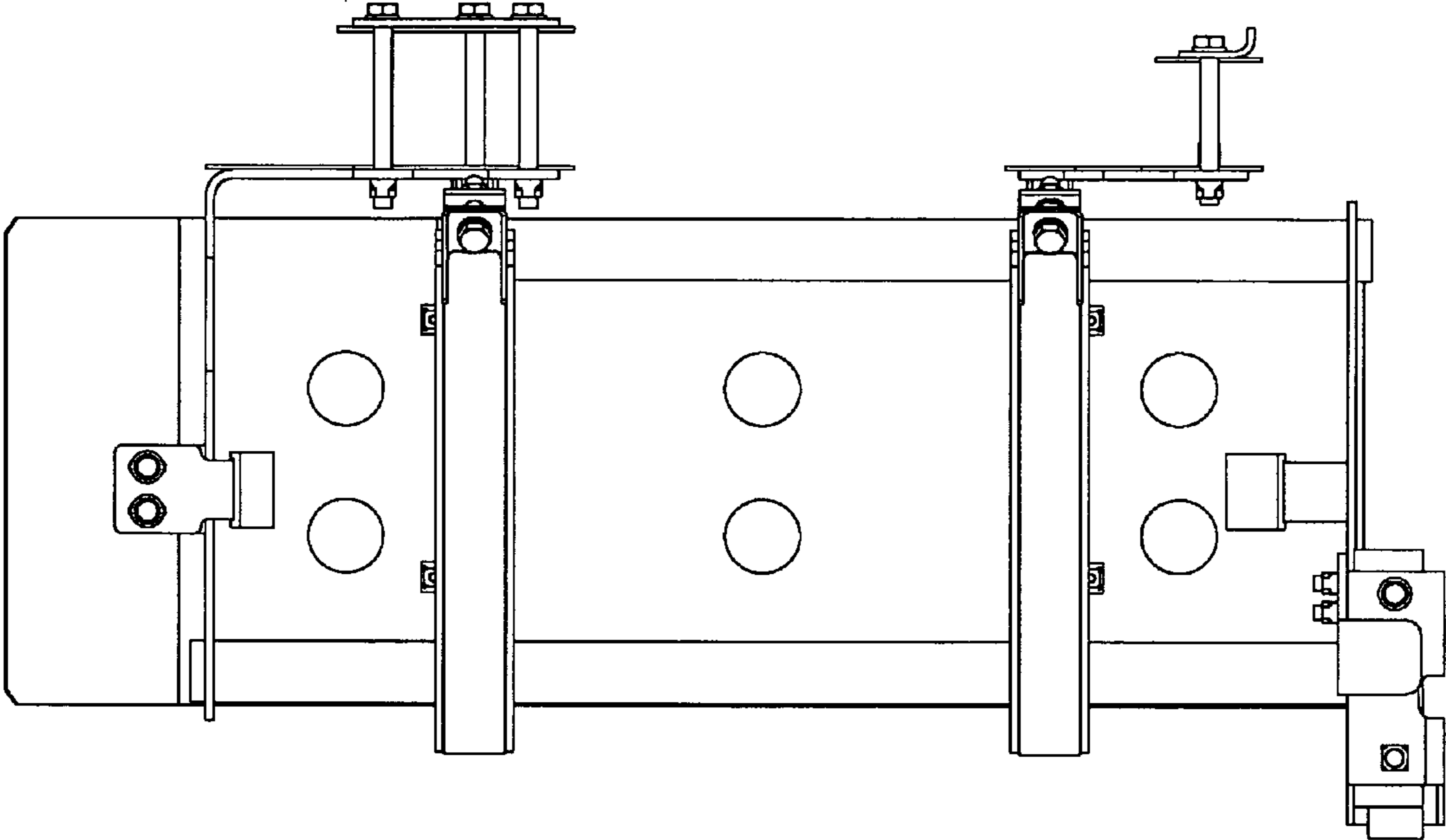


FIG. 6

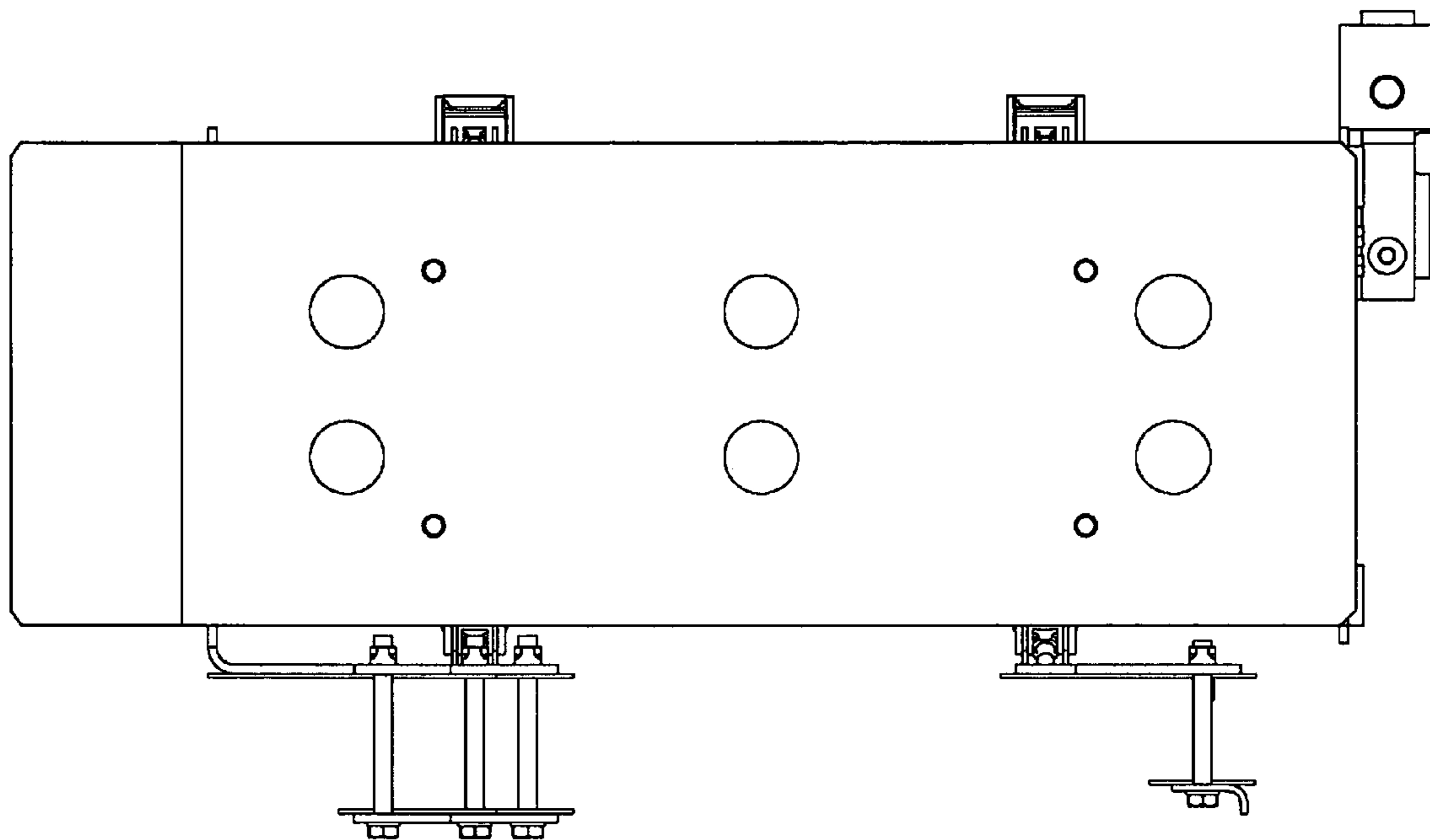


FIG. 7



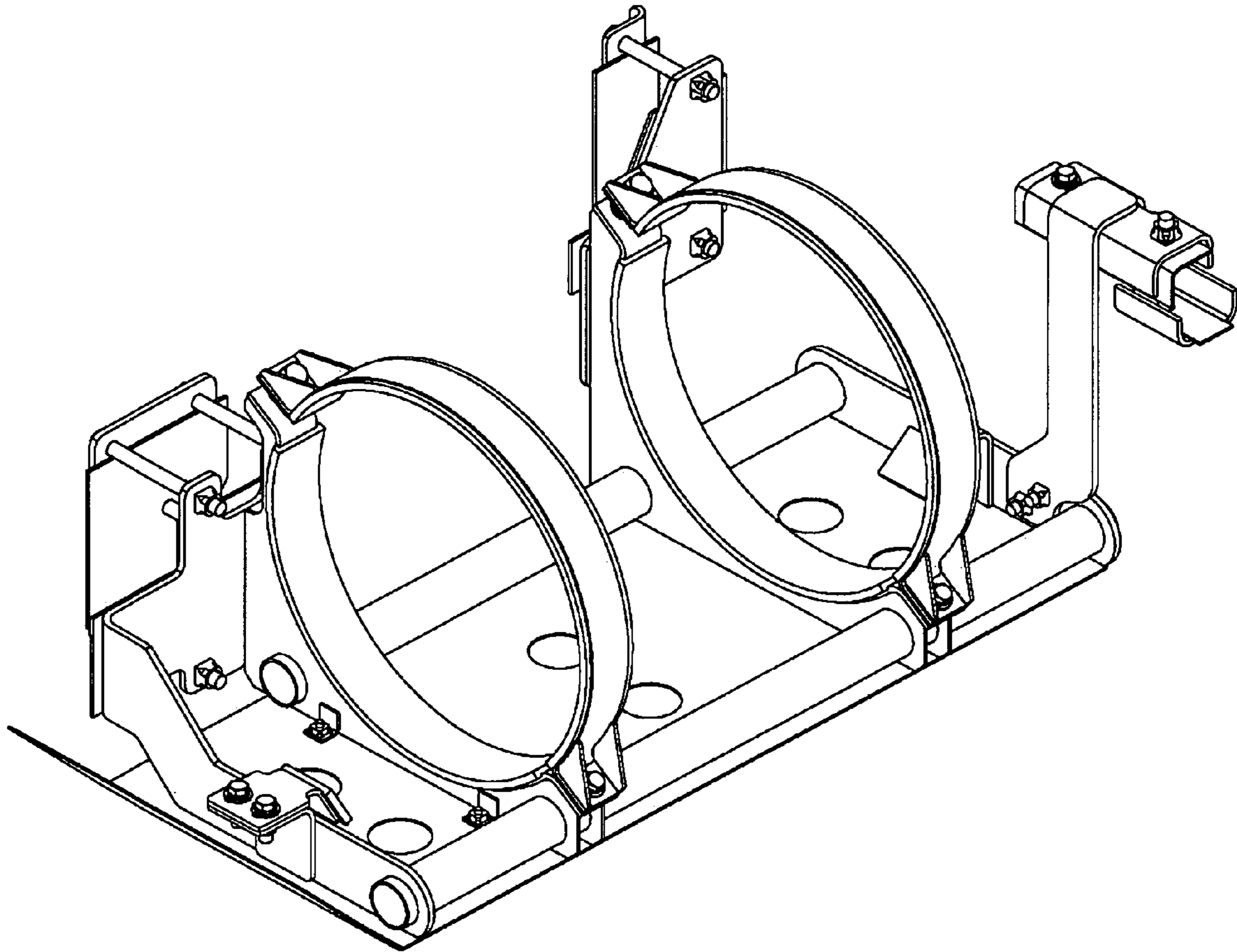


FIG. 8