



US00D646212S

(12) **United States Design Patent**  
**Ettensberger**

(10) **Patent No.:** **US D646,212 S**

(45) **Date of Patent:** **\*\* Oct. 4, 2011**

(54) **FRONT FACE OF A VEHICLE WHEEL**

(75) **Inventor:** **Claus Ettensberger**, West Los Angeles, CA (US)

(73) **Assignee:** **Claus Ettensberger Corp.**, West Los Angeles, CA (US)

(\*\*) **Term:** **14 Years**

(21) **Appl. No.:** **29/378,656**

(22) **Filed:** **Nov. 8, 2010**

(51) **LOC (9) Cl.** ..... **12-16**

(52) **U.S. Cl.** ..... **D12/211**

(58) **Field of Classification Search** ..... D12/204-213;  
301/37.101, 64.101, 65, 64.201  
See application file for complete search history.

(56) **References Cited**

**U.S. PATENT DOCUMENTS**

|            |   |         |              |       |         |
|------------|---|---------|--------------|-------|---------|
| D481,663 S | * | 11/2003 | Maifrini     | ..... | D12/211 |
| D491,872 S | * | 6/2004  | Lai          | ..... | D12/211 |
| D506,717 S | * | 6/2005  | Gallert      | ..... | D12/209 |
| D512,359 S |   | 12/2005 | Ettensberger |       |         |
| D512,949 S |   | 12/2005 | Ettensberger |       |         |
| D514,046 S |   | 1/2006  | Ettensberger |       |         |
| D532,736 S |   | 11/2006 | Ettensberger |       |         |
| D532,738 S |   | 11/2006 | Ettensberger |       |         |

|            |   |         |              |       |         |
|------------|---|---------|--------------|-------|---------|
| D532,739 S |   | 11/2006 | Ettensberger |       |         |
| D532,740 S |   | 11/2006 | Ettensberger |       |         |
| D539,721 S |   | 4/2007  | Ettensberger |       |         |
| D542,207 S | * | 5/2007  | Gauffres     | ..... | D12/211 |
| D553,069 S |   | 10/2007 | Ettensberger |       |         |
| D577,649 S |   | 9/2008  | Ettensberger |       |         |
| D584,672 S | * | 1/2009  | Osborne      | ..... | D12/209 |
| D592,119 S | * | 5/2009  | Heizmann     | ..... | D12/211 |
| D596,549 S | * | 7/2009  | Varga        | ..... | D12/211 |
| D607,396 S | * | 1/2010  | Gallert      | ..... | D12/209 |
| D609,623 S | * | 2/2010  | Gallert      | ..... | D12/209 |
| D630,567 S |   | 1/2011  | Ettensberger |       |         |
| D636,716 S | * | 4/2011  | Ettensberger | ..... | D12/211 |

\* cited by examiner

*Primary Examiner* — Stacia Cadmus

(74) *Attorney, Agent, or Firm* — Berenato & White, LLC

(57) **CLAIM**

The ornamental design for a front face of a vehicle wheel, as shown and described.

**DESCRIPTION**

FIG. 1 is a front view of a front face of a vehicle wheel showing my new design; and,

FIG. 2 is a top and left side perspective view of the wheel shown in FIG. 1.

The broken line showing of the rear of the wheel is included for the purpose of illustrating environment and forms no part of the claimed design.

**1 Claim, 2 Drawing Sheets**

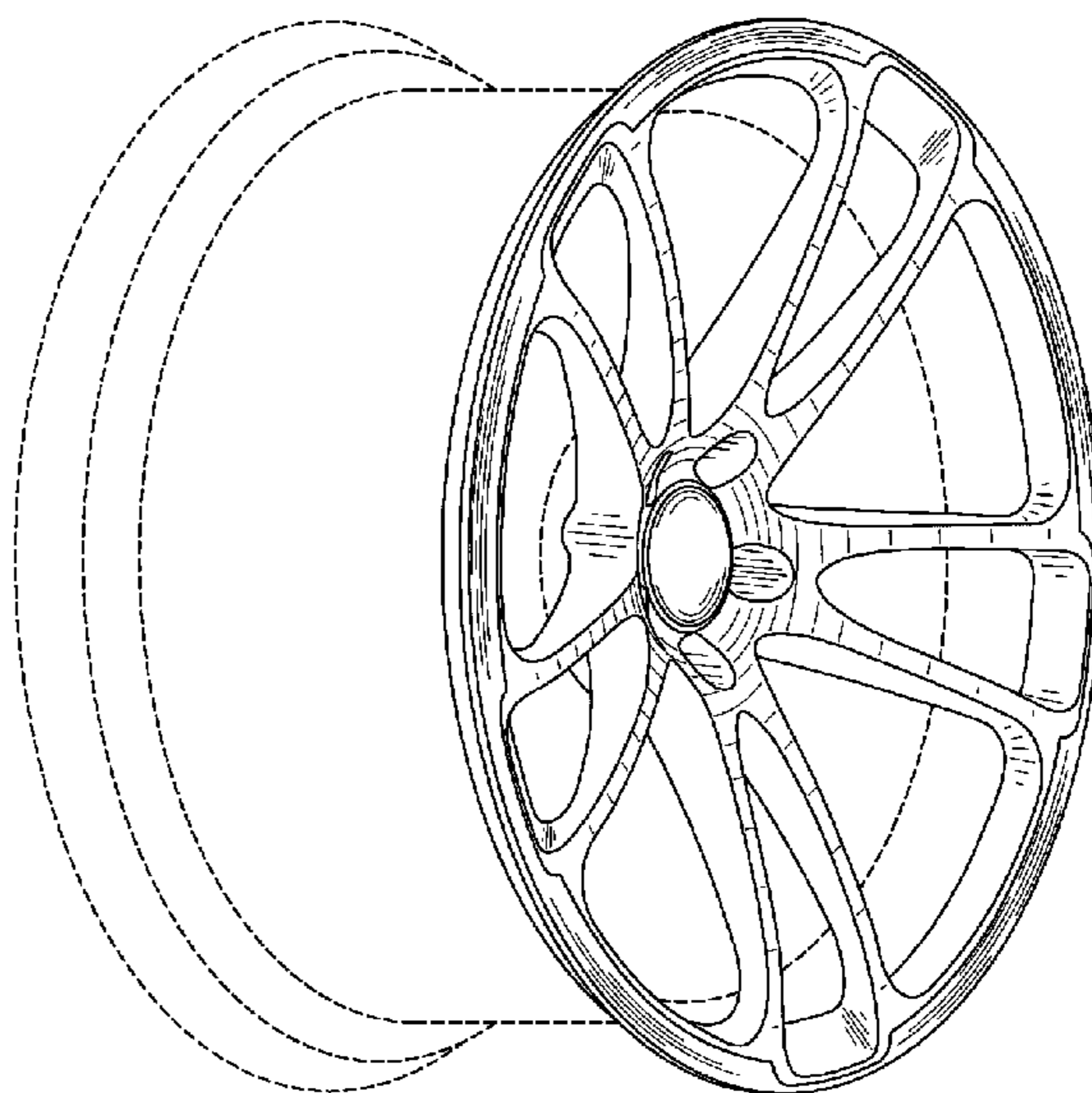
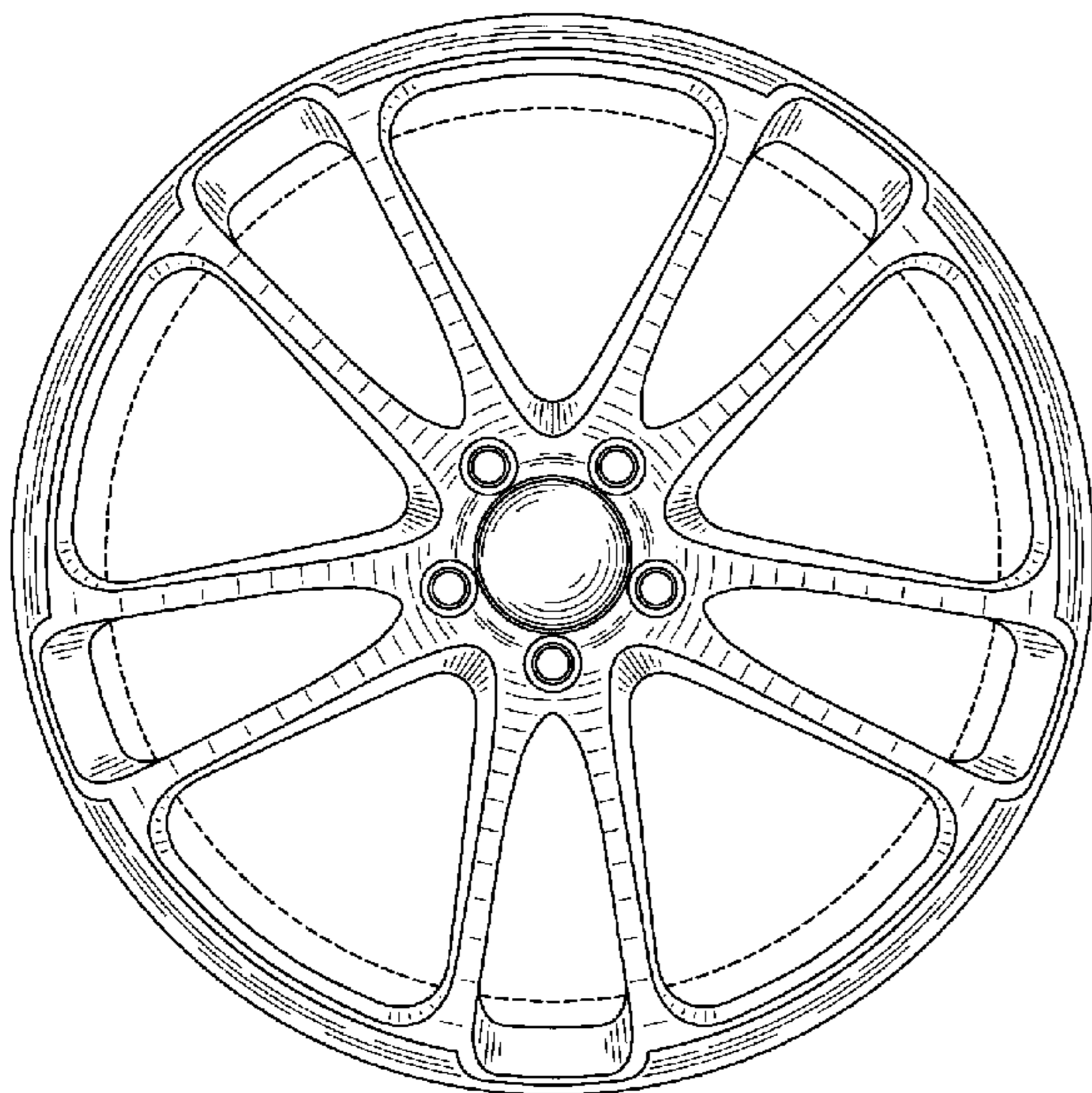


Fig. 1

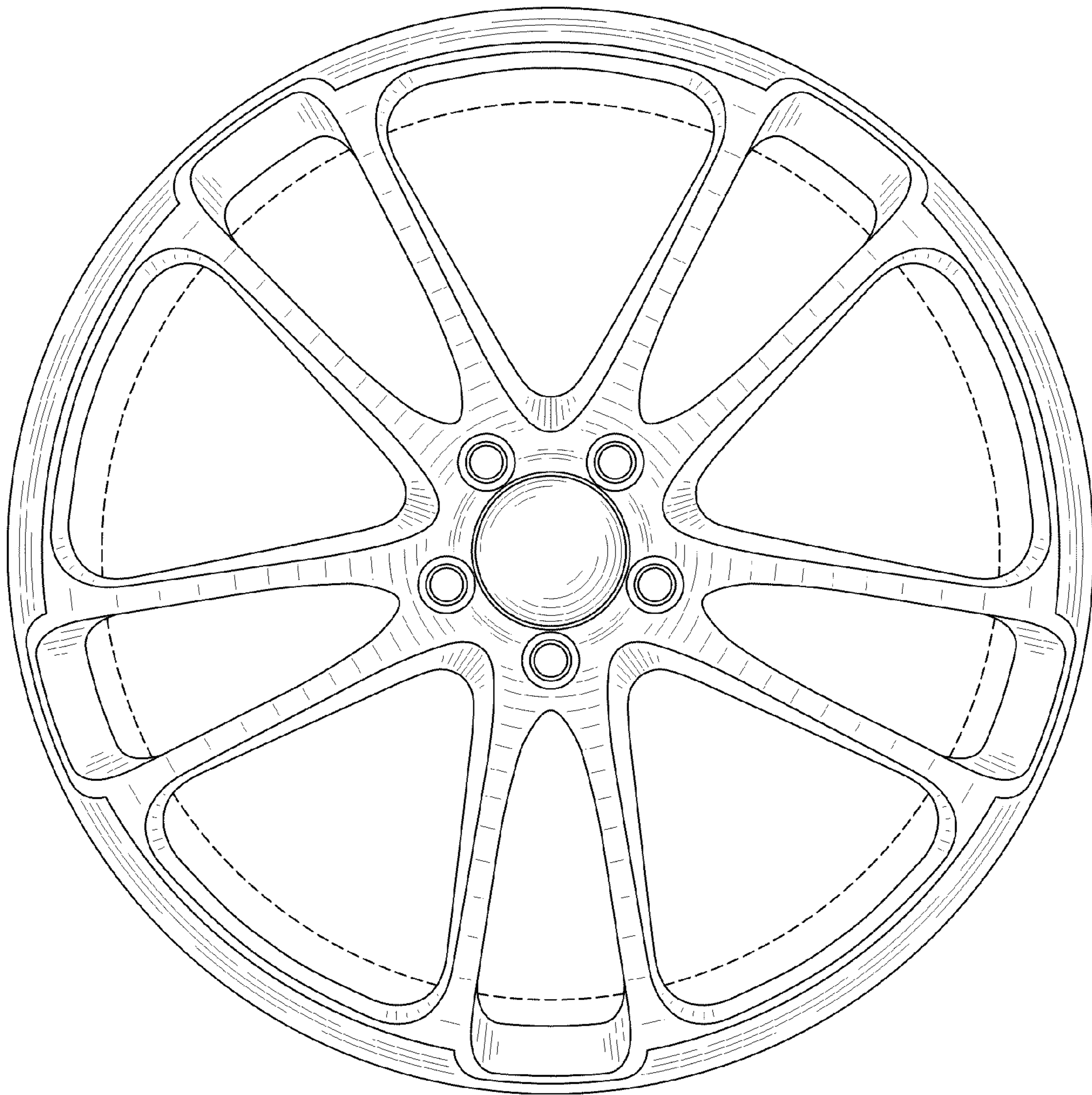




Fig. 2

